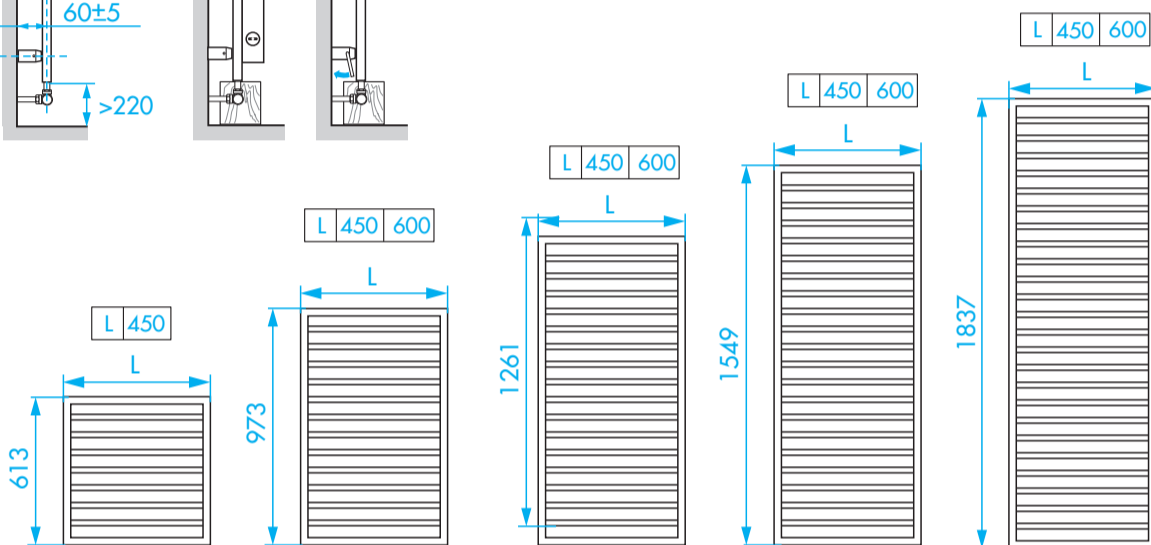
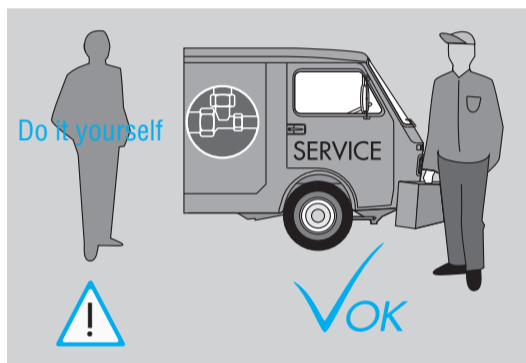
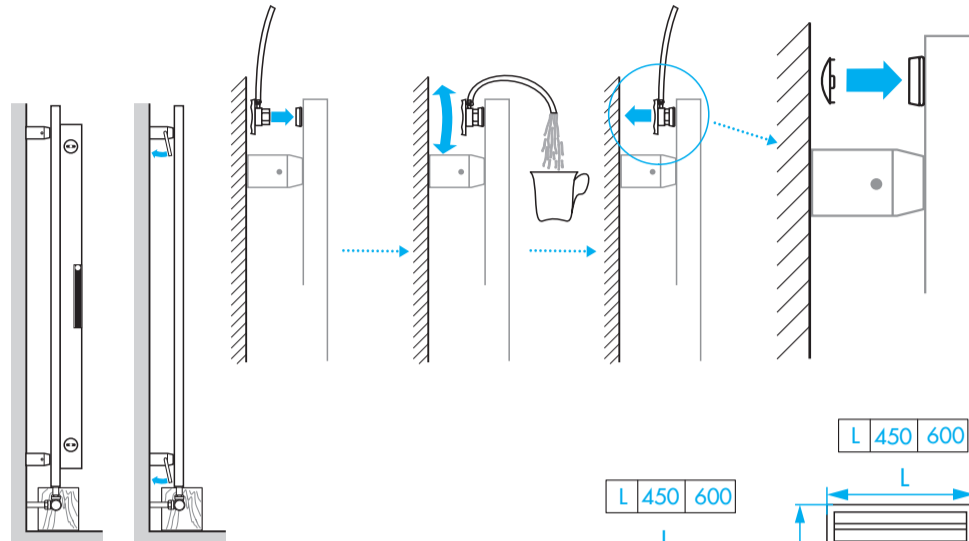
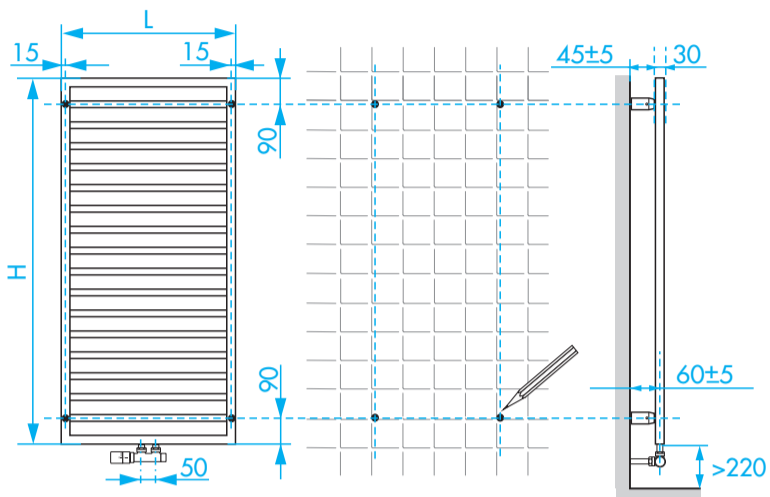
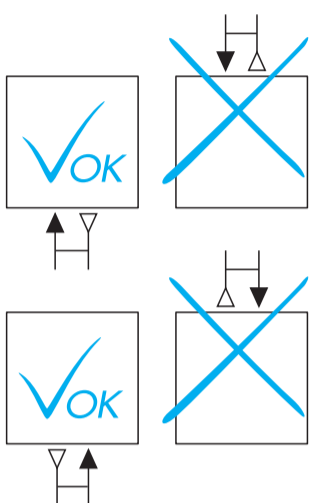
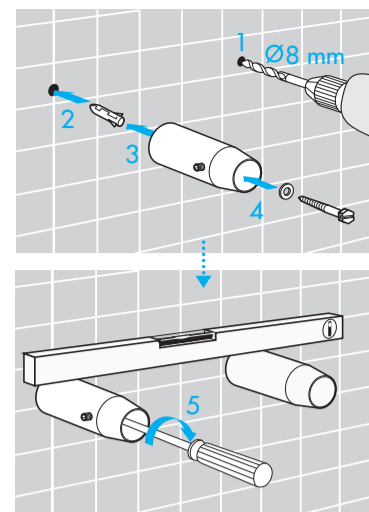
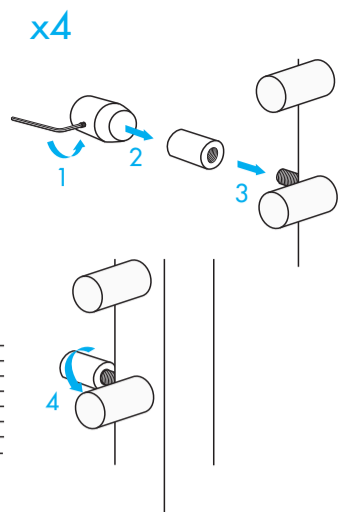
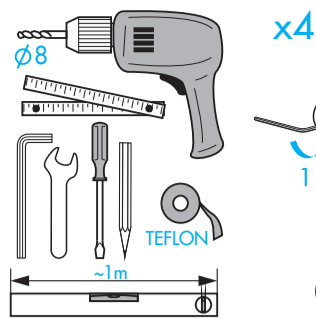
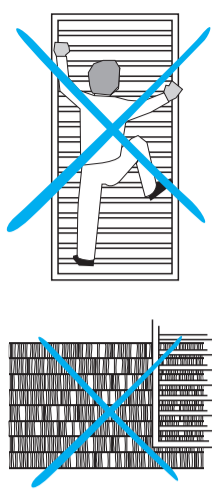
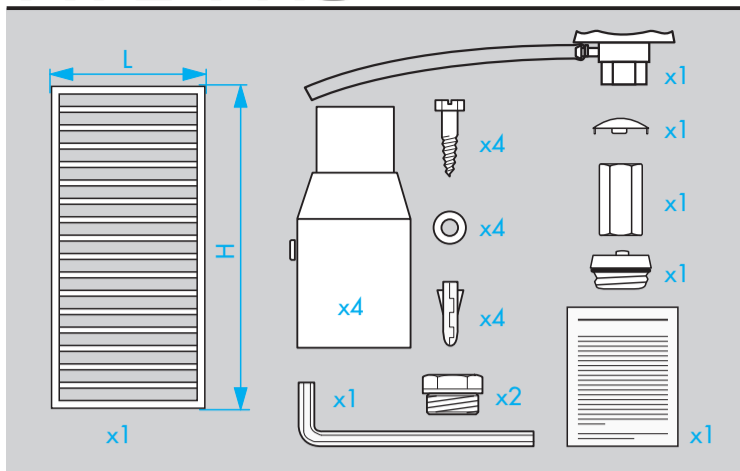
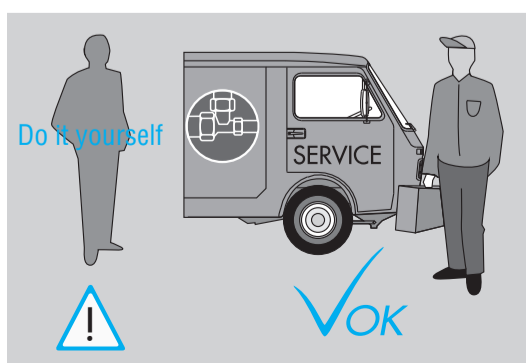
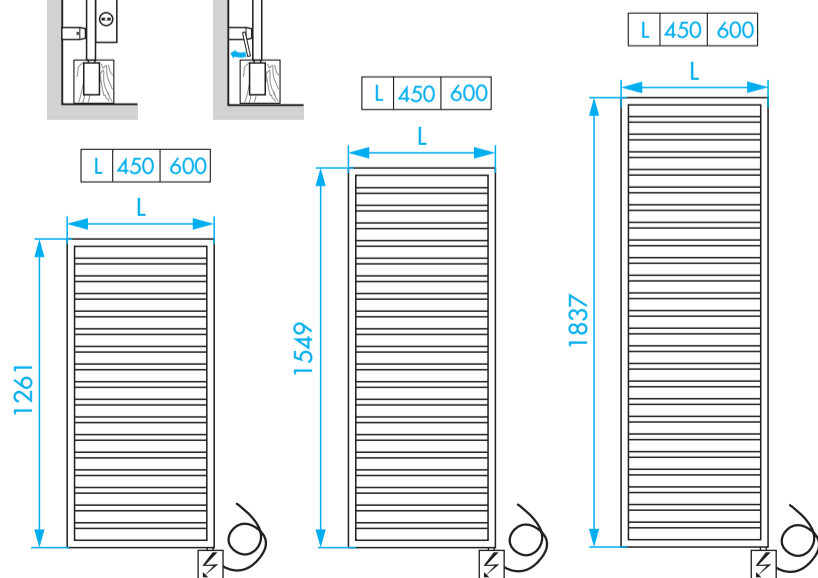
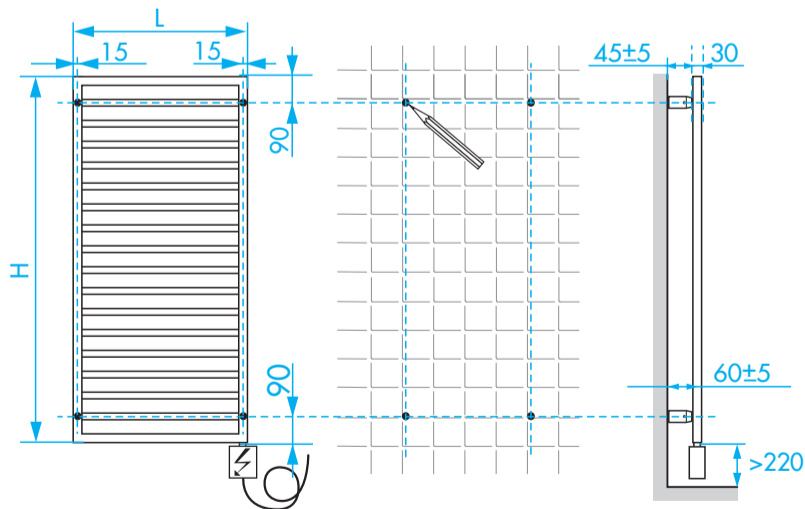
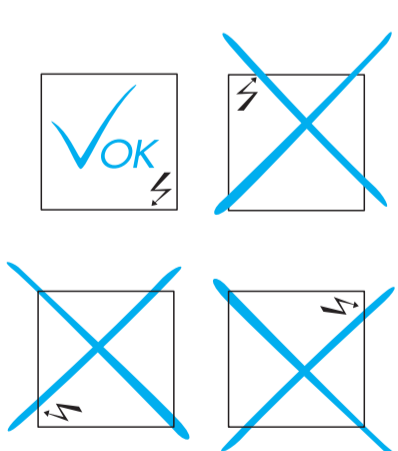
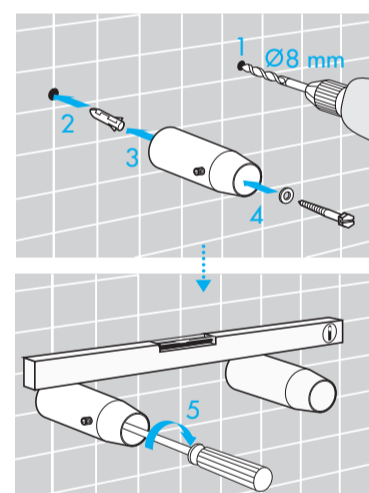
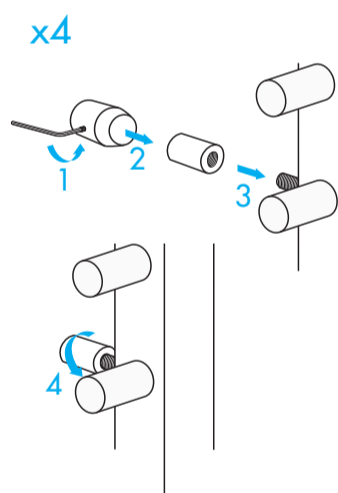
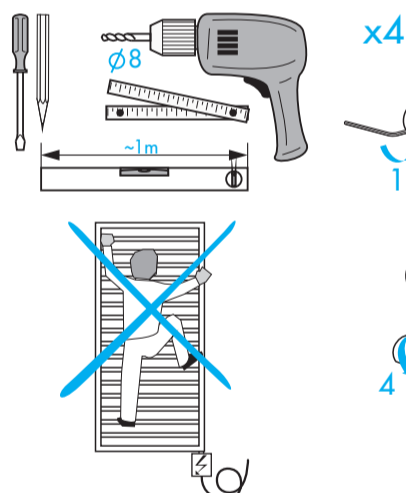
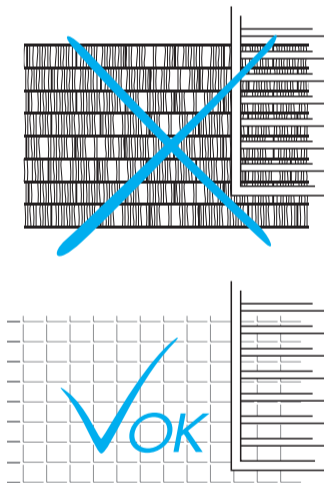
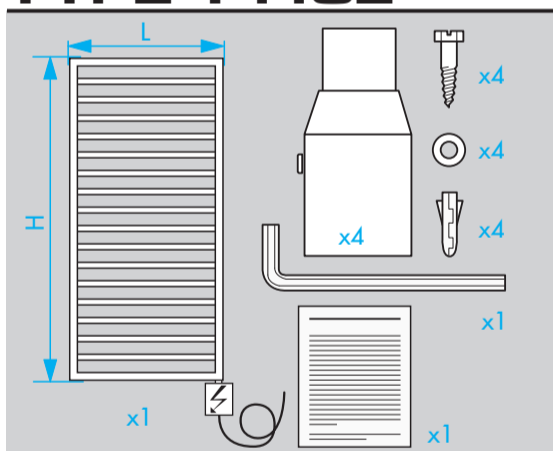


TYPE T110

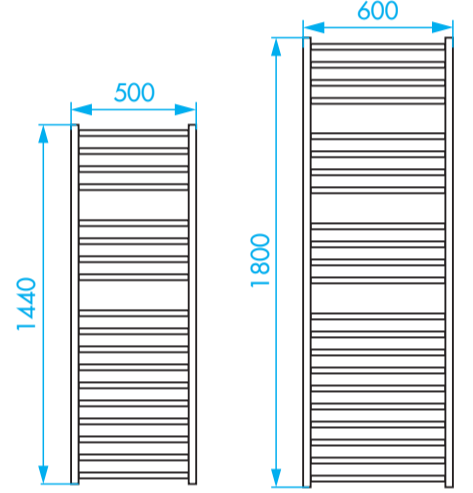
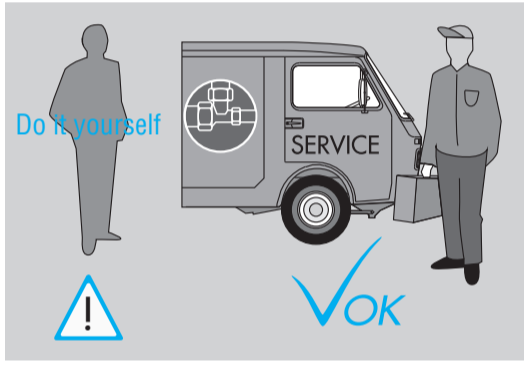
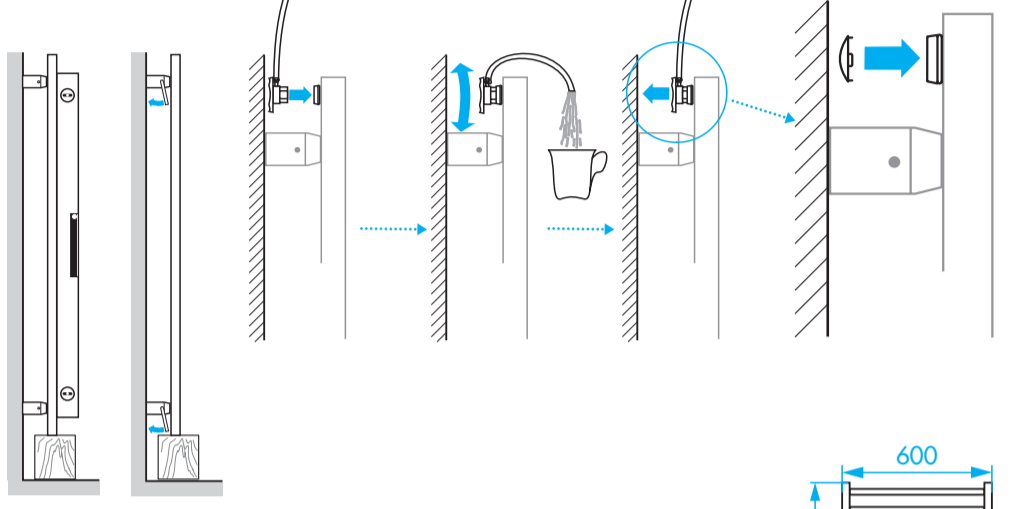
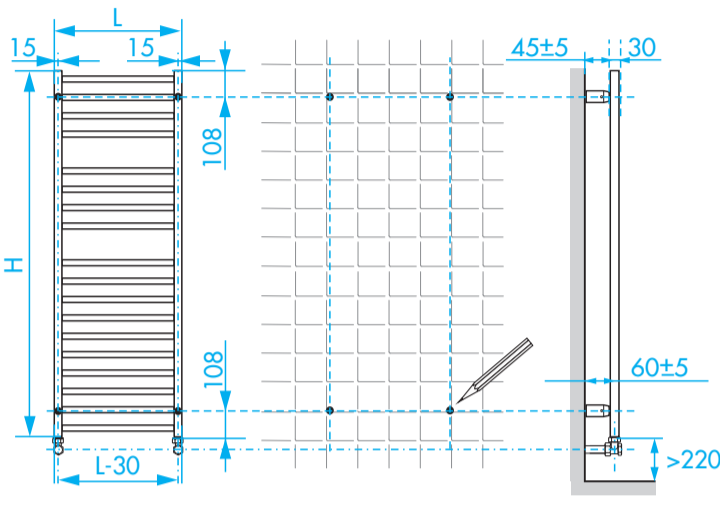
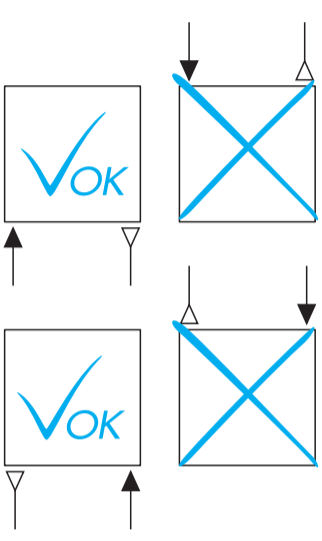
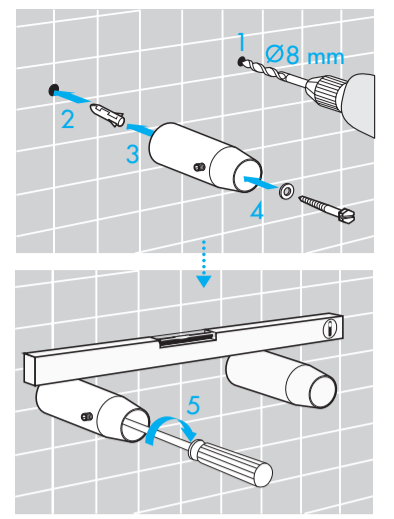
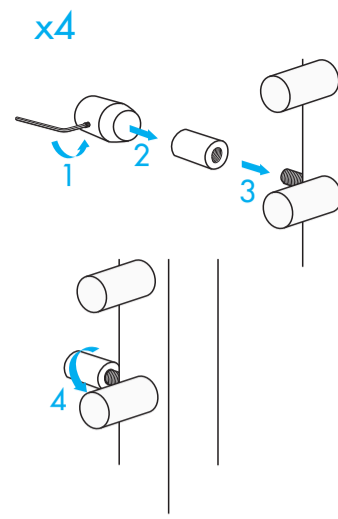
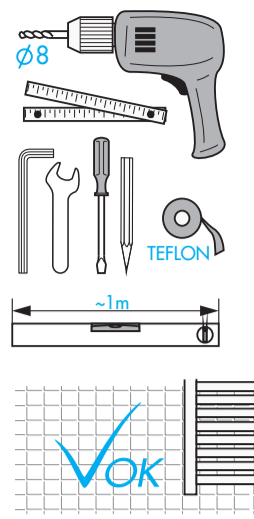
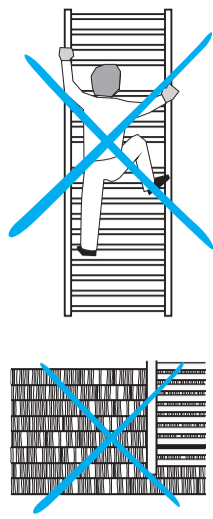
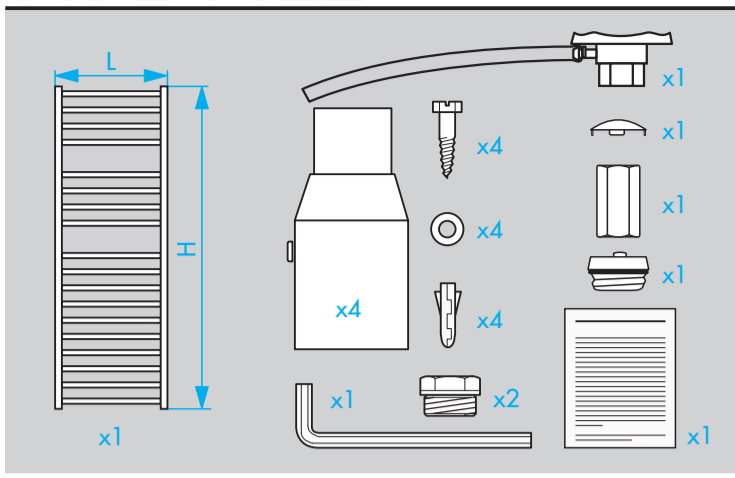
© Copyright by PBO 05/14 1005760



TYPE T110E



TYPE T122



TYPE T122E

