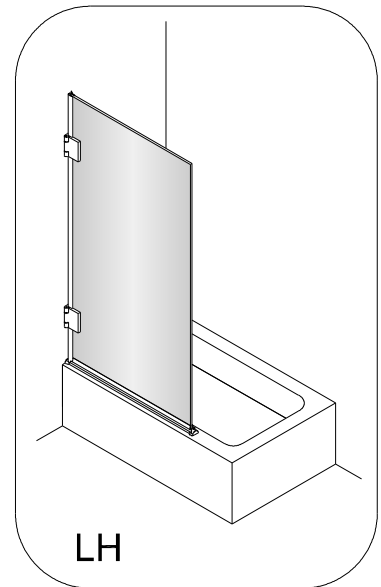
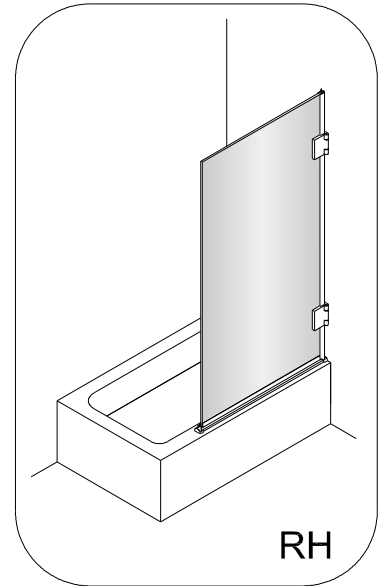
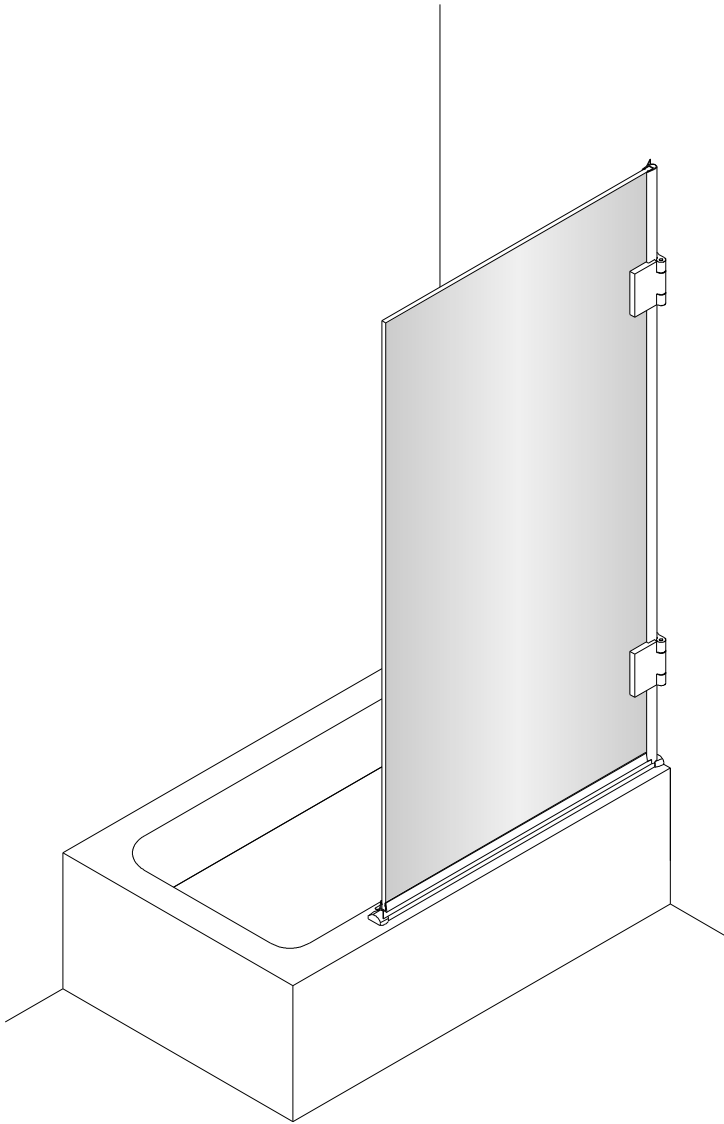
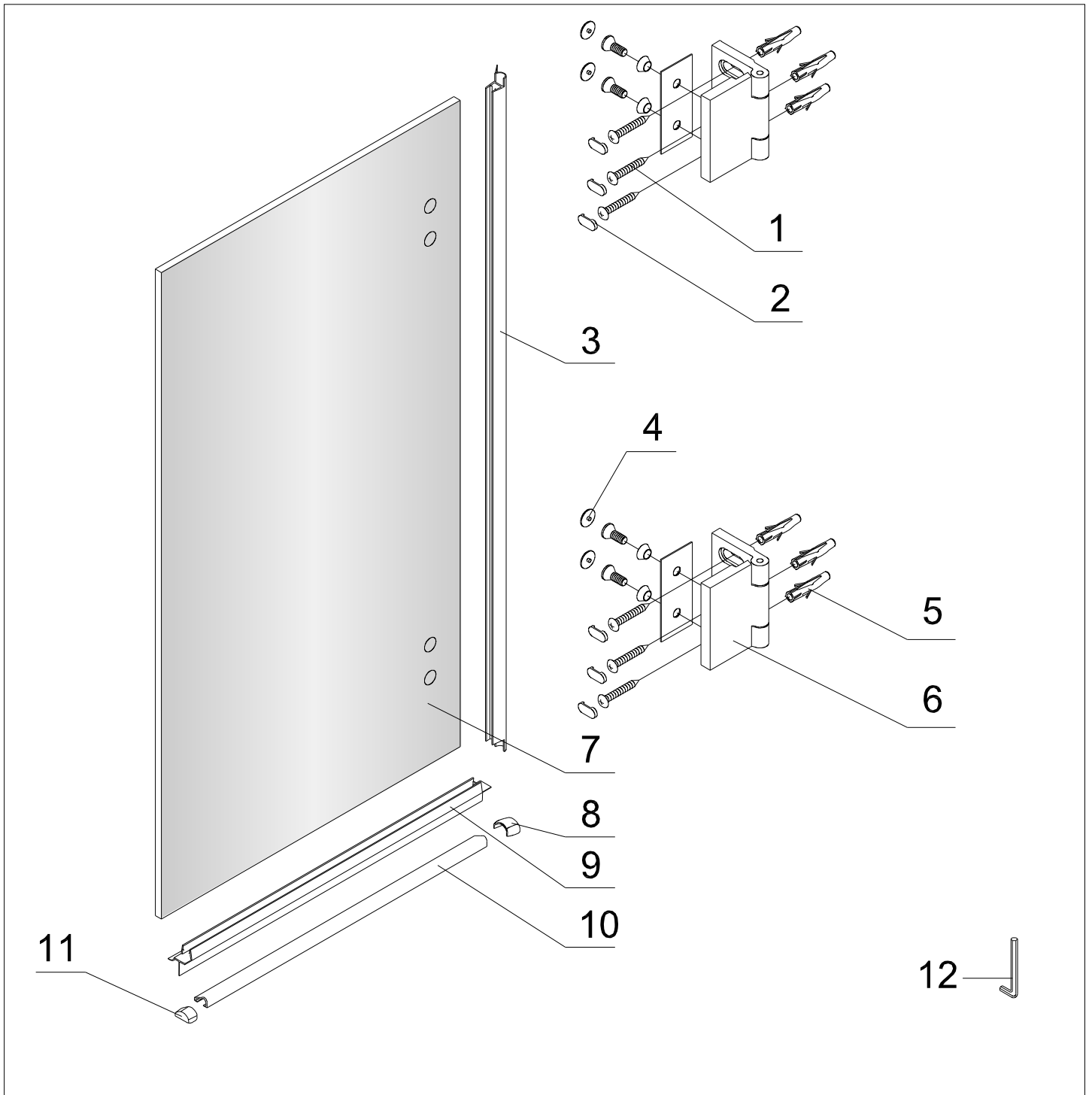


CVP8N Instruction Manual

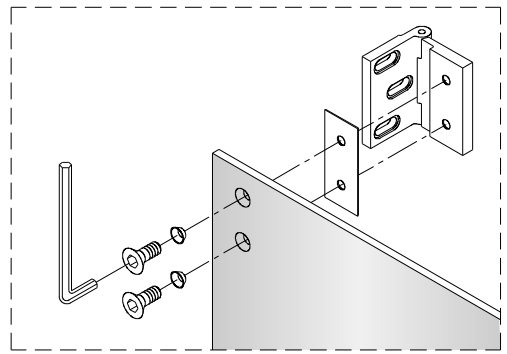
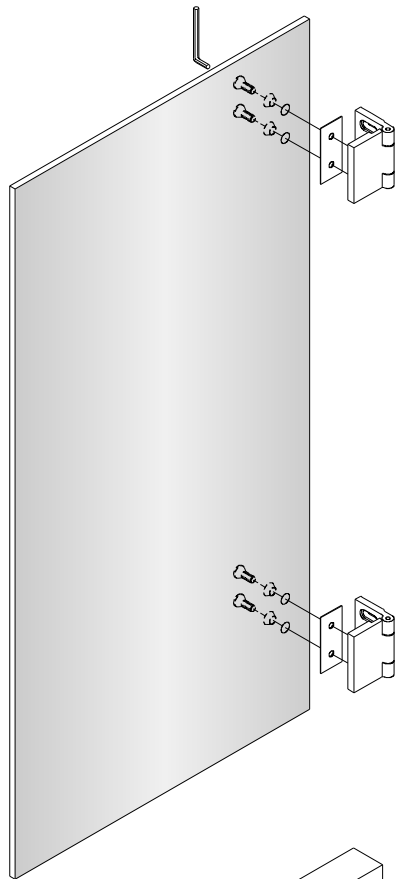




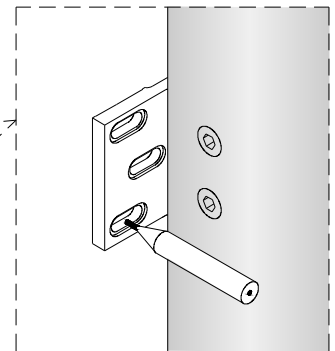
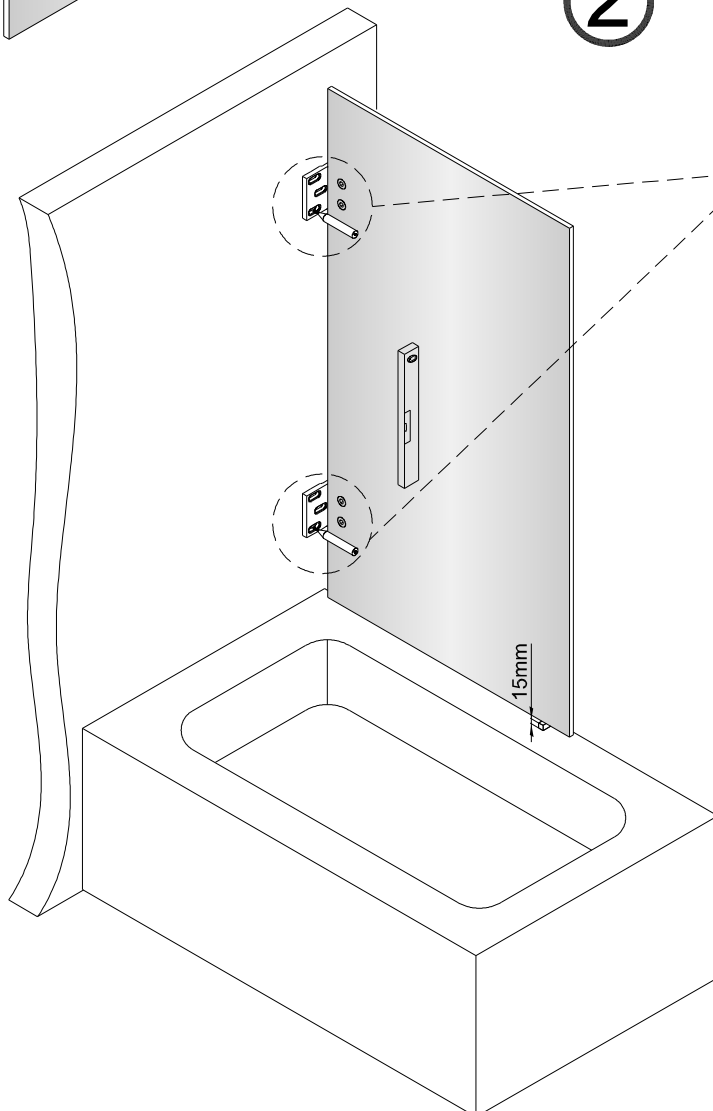
ITEM NO.	DESCRIPTION	QUANTITY
1	ST4X50 Screw	6
2	Cap	6
3	Waterproof Strip	1
4	Hinge cap	4
5	Wall Plug	6
6	Hinge	2
7	Moving Door	1
8	Drip Strip End I	1
9	Bottom Waterproof Strip	1
10	Bottom profile	1
11	Drip Strip End II	1
12	Hexangular spanner (4mm)	1

TOOLS REQUIRED

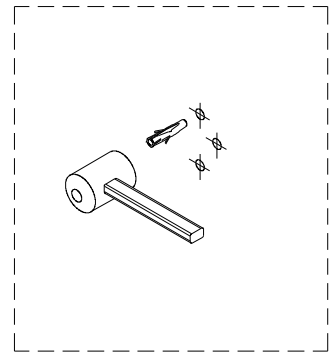
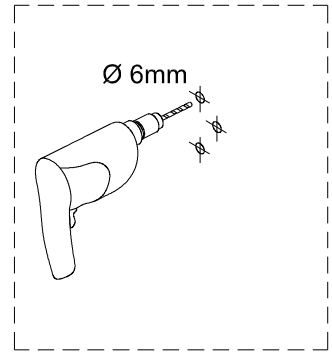
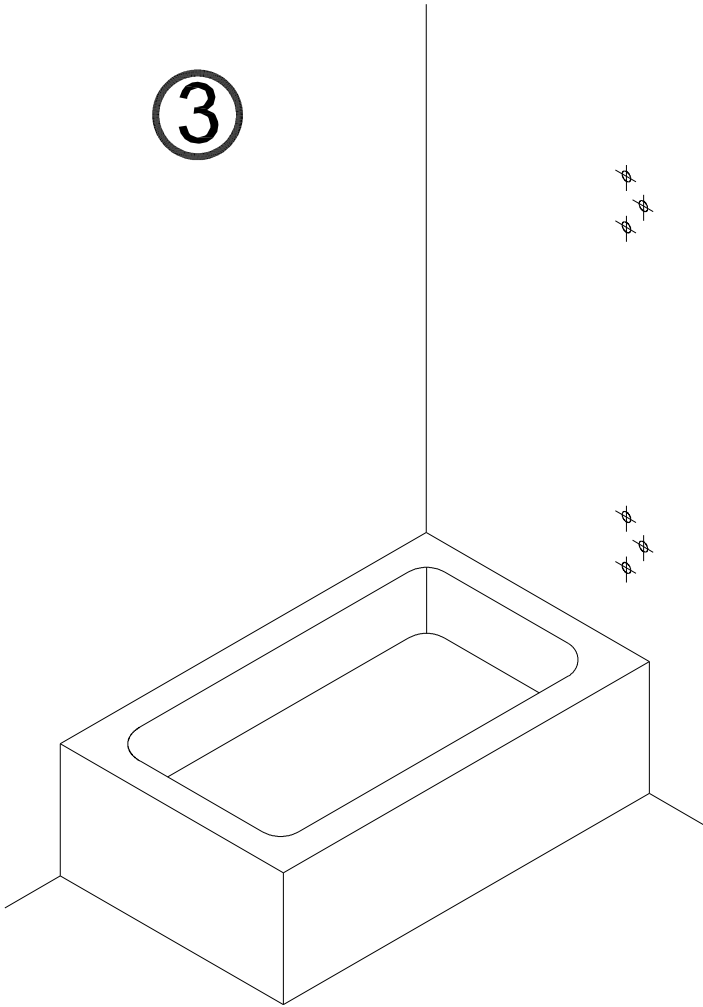
1



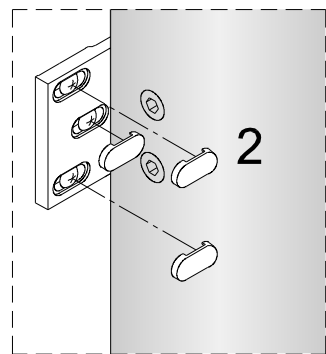
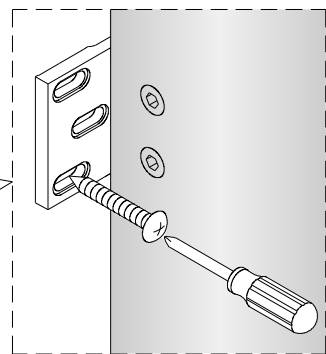
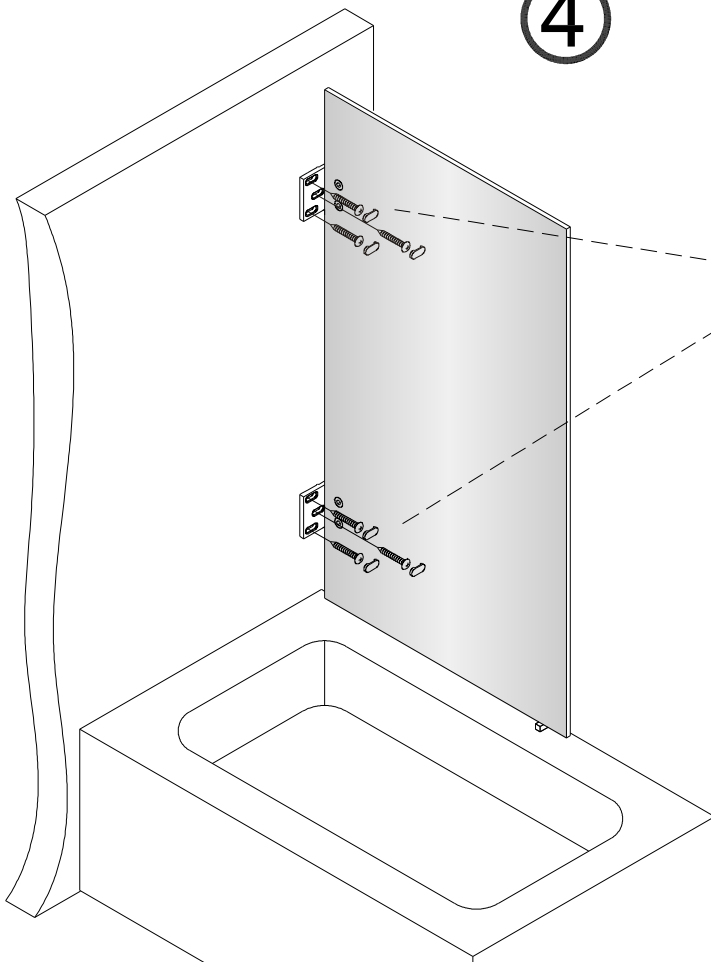
2



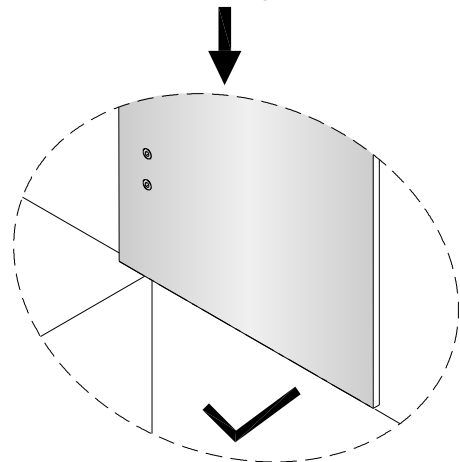
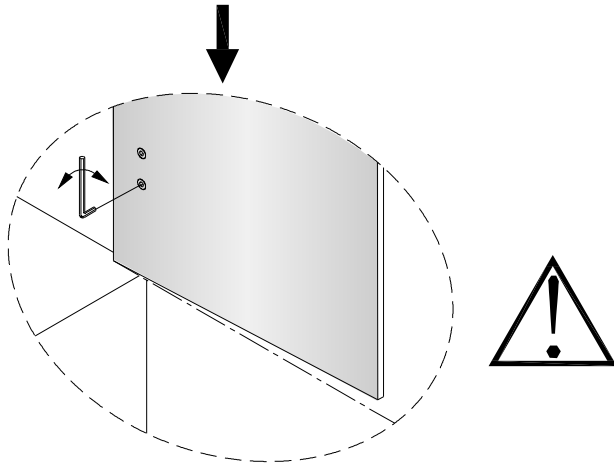
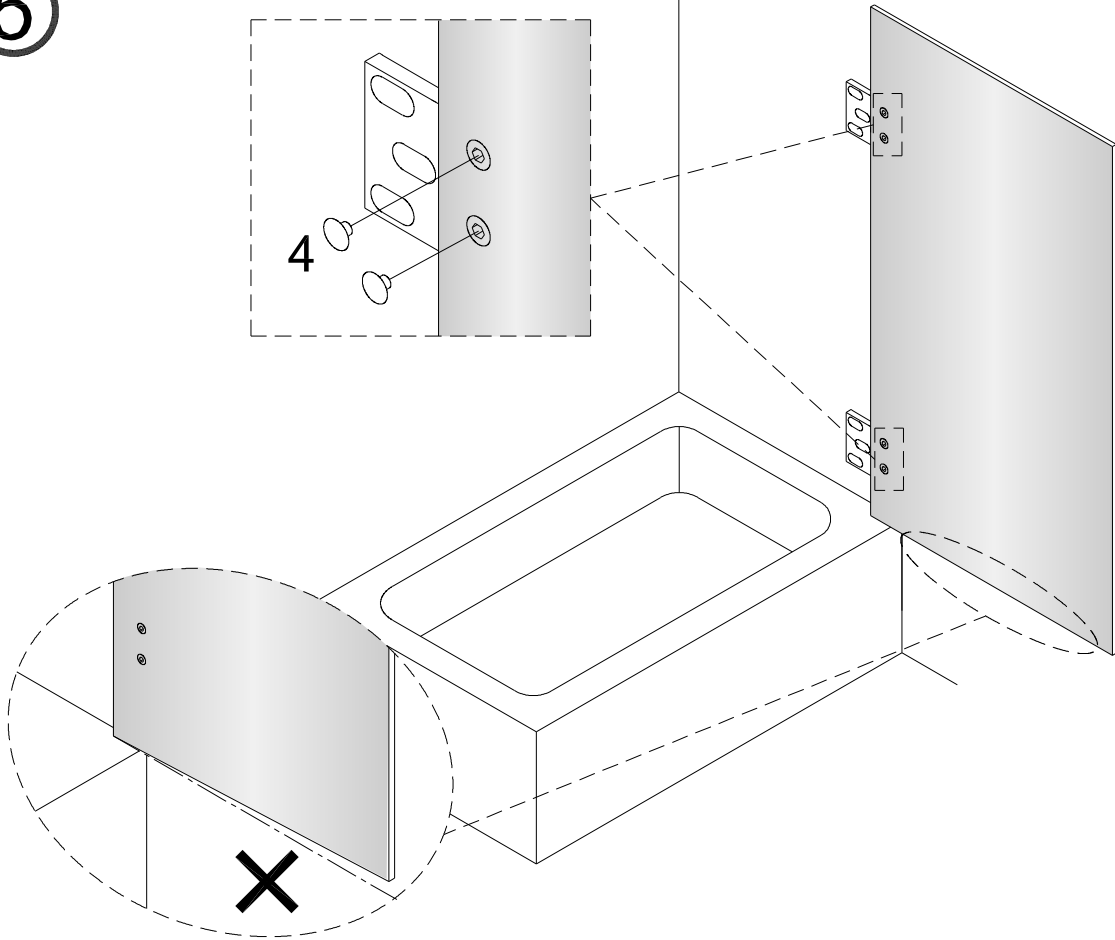
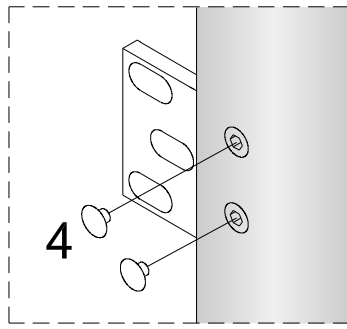
3



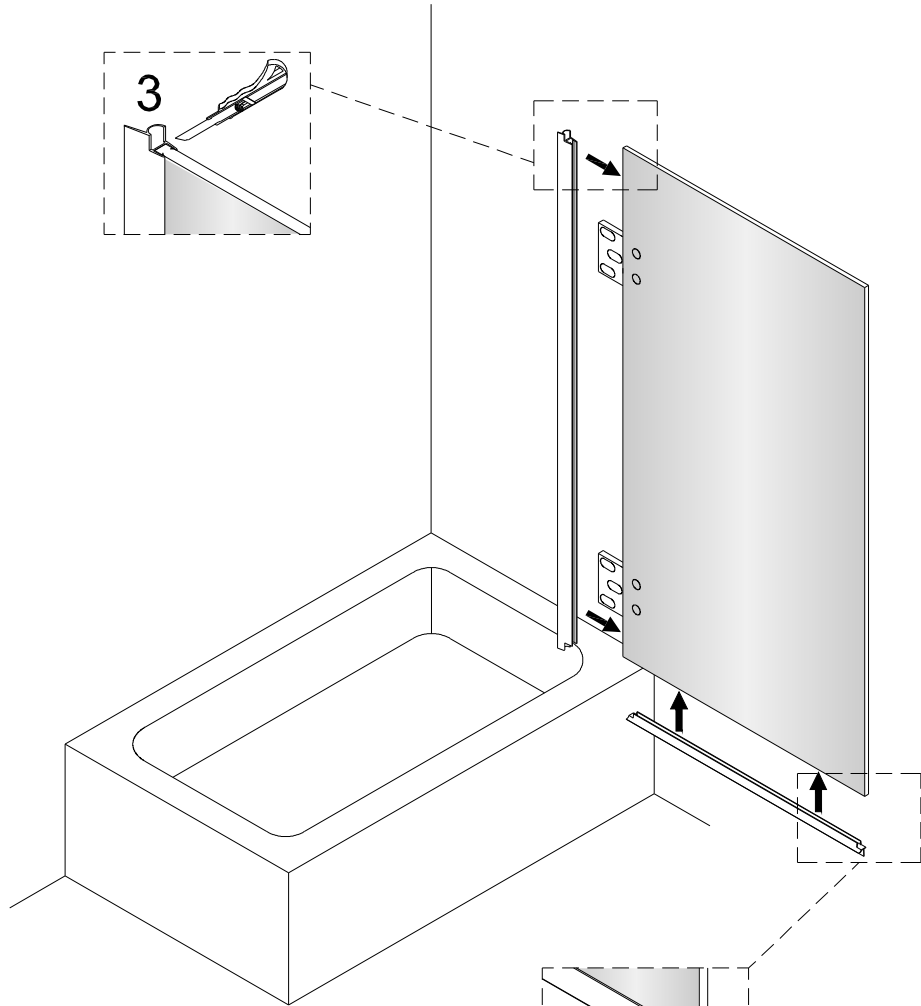
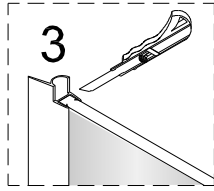
4



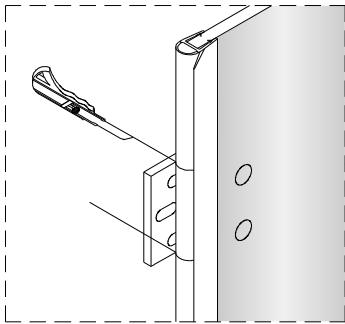
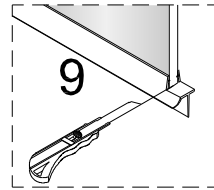
5



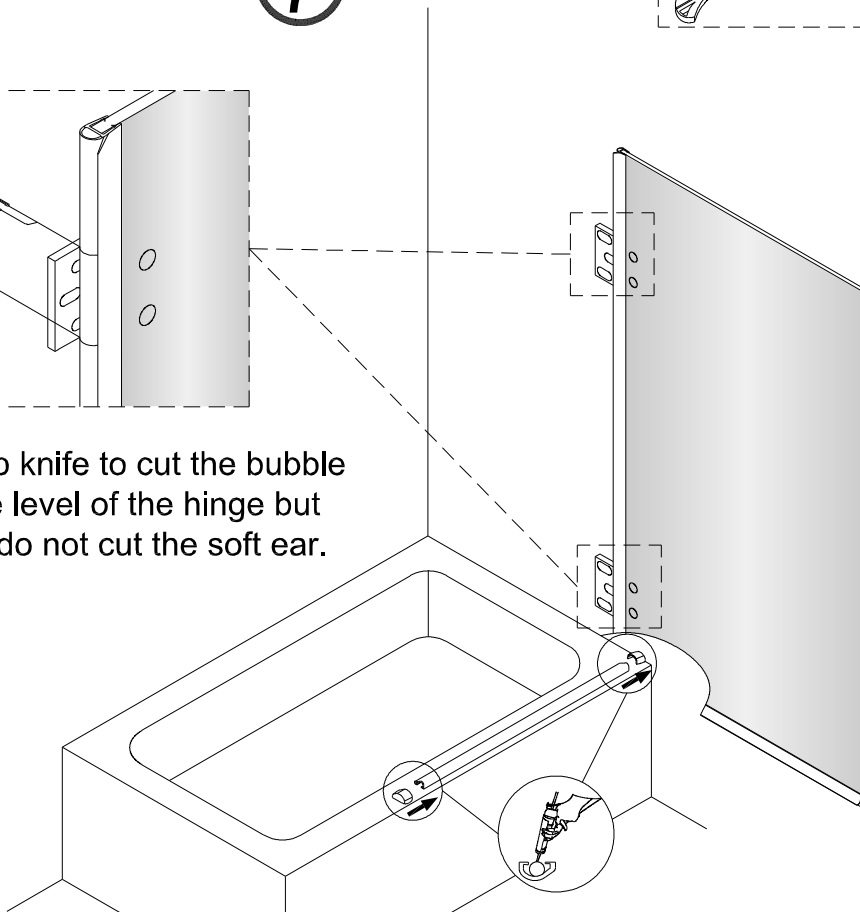
⑥



⑦



Use a sharp knife to cut the bubble in the same level of the hinge but make sure do not cut the soft ear.



⑧

