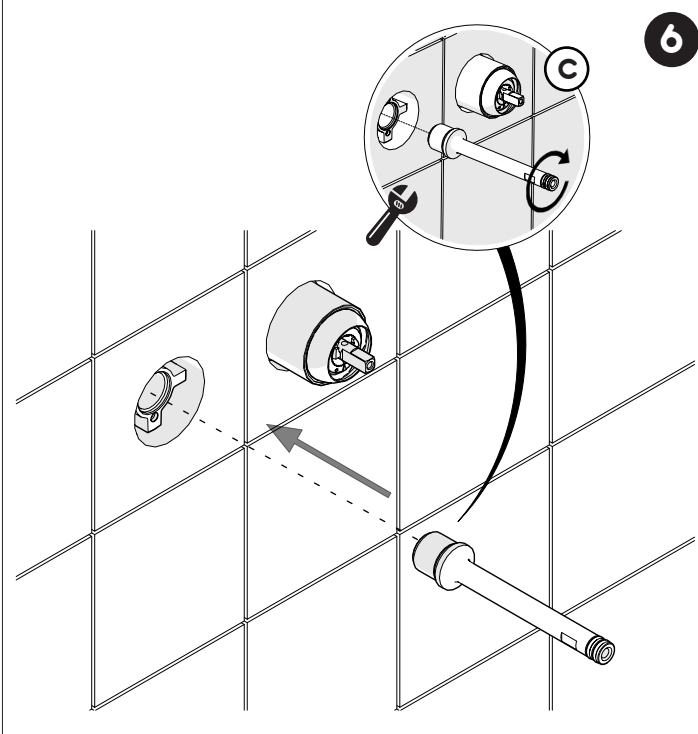
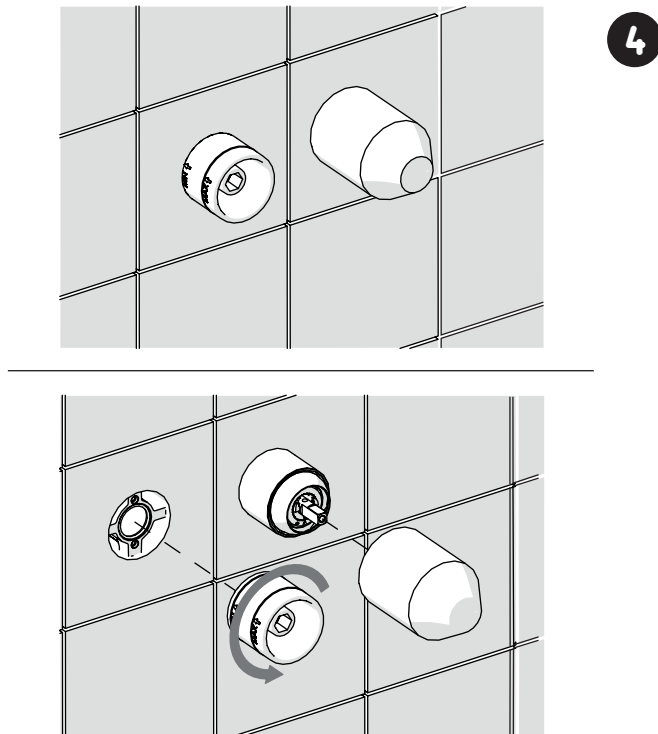
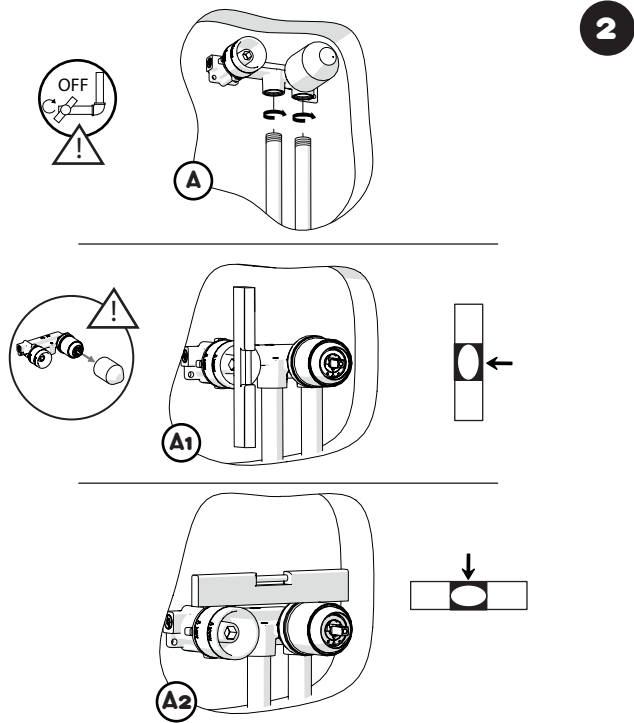
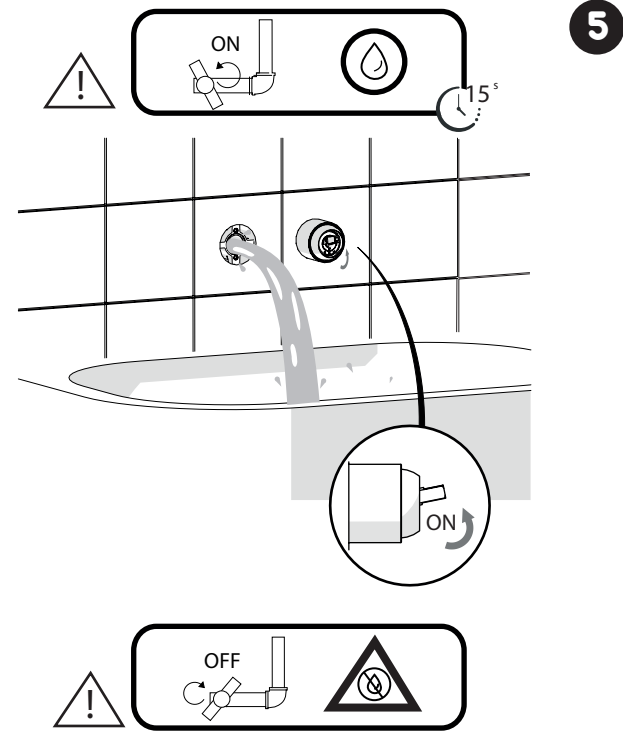
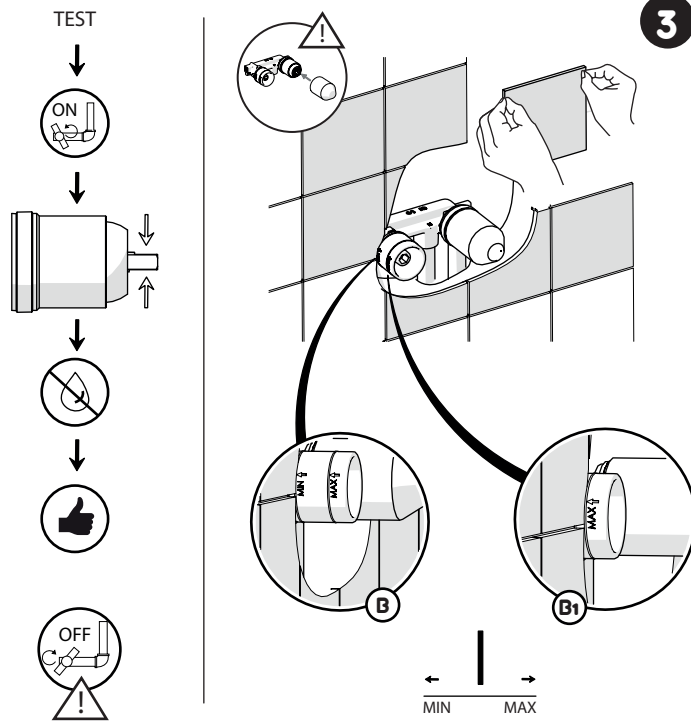
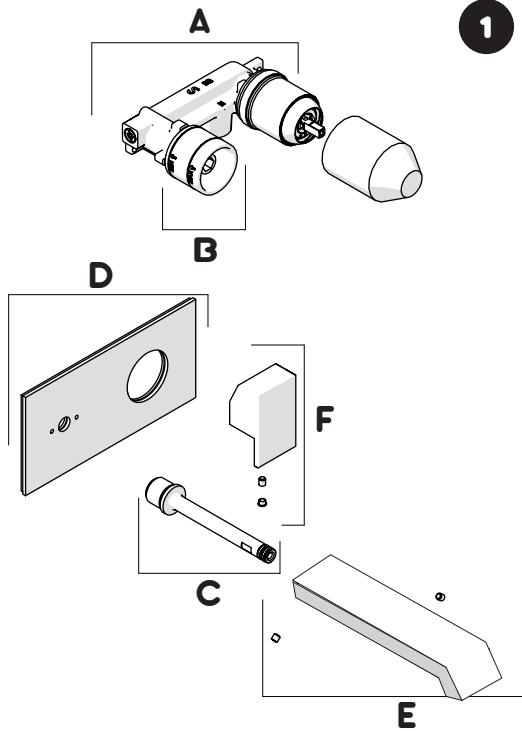


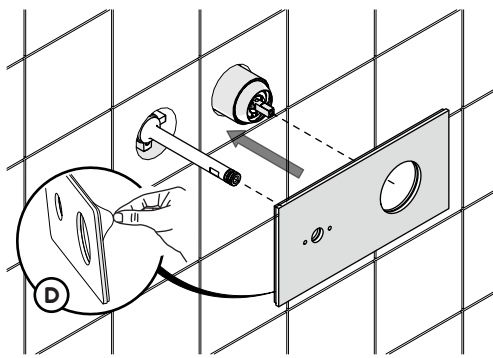


+

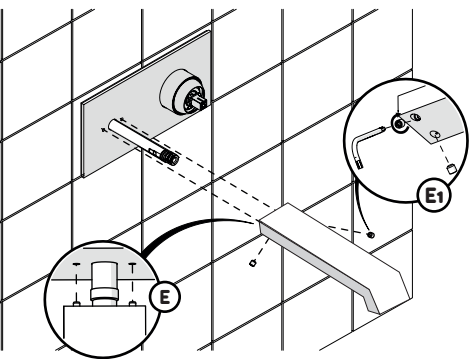
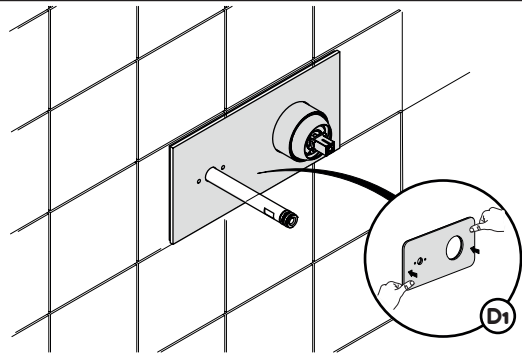


Not included / Non incluso / Non inclus / Nie zawarty / No incluido / Não incluido

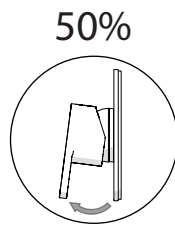
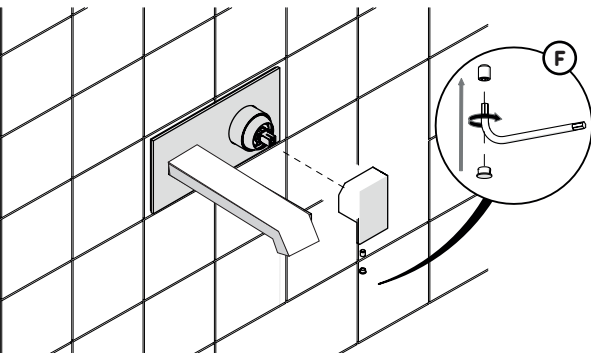




7



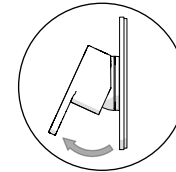
8



50%



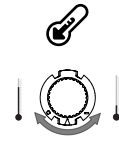
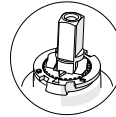
-50%



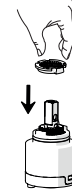
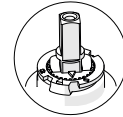
100%



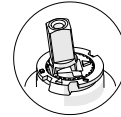
No limitation
of temperature



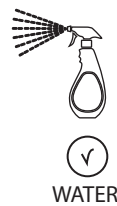
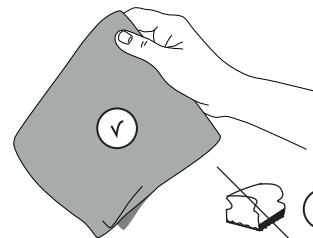
Partial limitation
of temperature



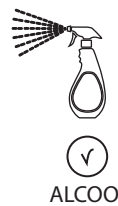
Maximum position
Only cold water



CLEANING



WATER



ALCOOL



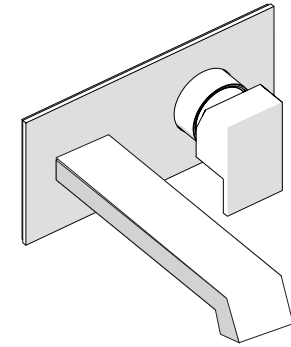
X

10

IISTRSF00198#---STD

NOBILIA
The Best Technology for Water

REV1.03/2014



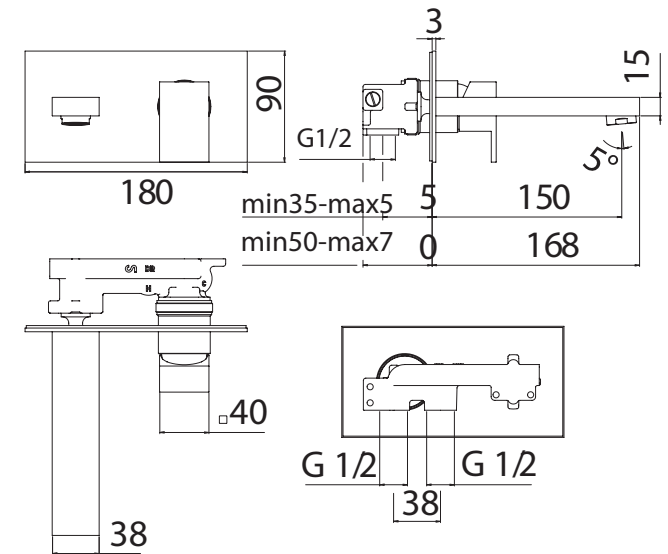
MI102198

SF00198

RY00198



www.grupponobili.it



P

bar



MAX 10

MIN. 0.5



5

thumbs up



T

°C



MAX 80

°C



65

45

thumbs up