



IMAGE NOT
AVAILABLE

SPECIFICATIONS

Wall-mounted single control external part long spout

Chrome

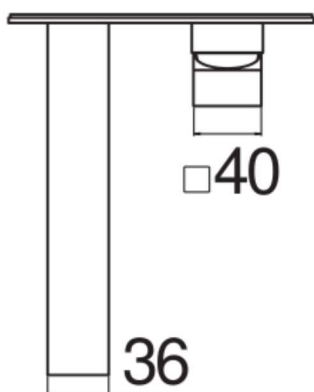
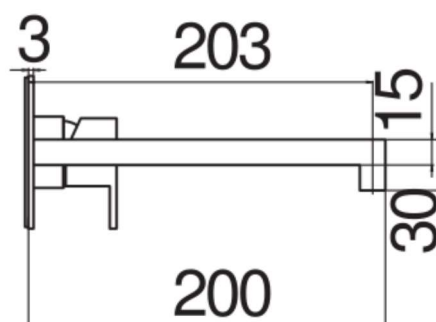
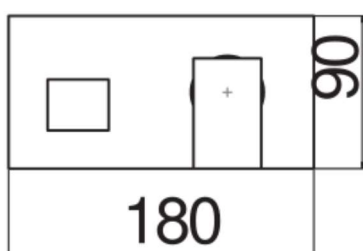
Anti limescale aerator

Length of spout 200 mm

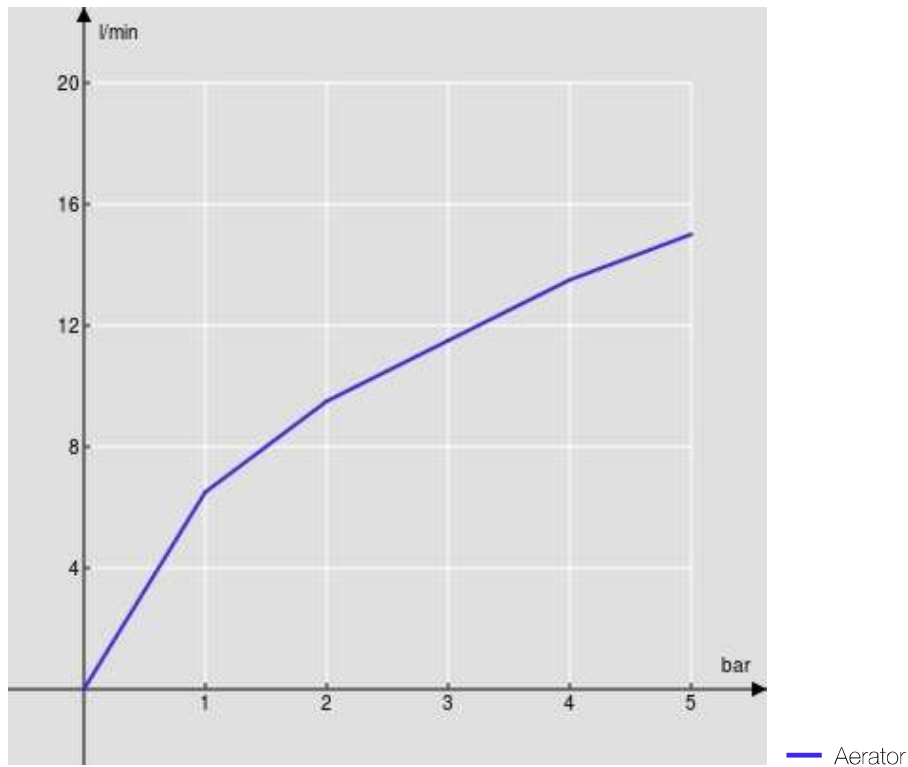
Without waste

50% two step cartridge for water saving

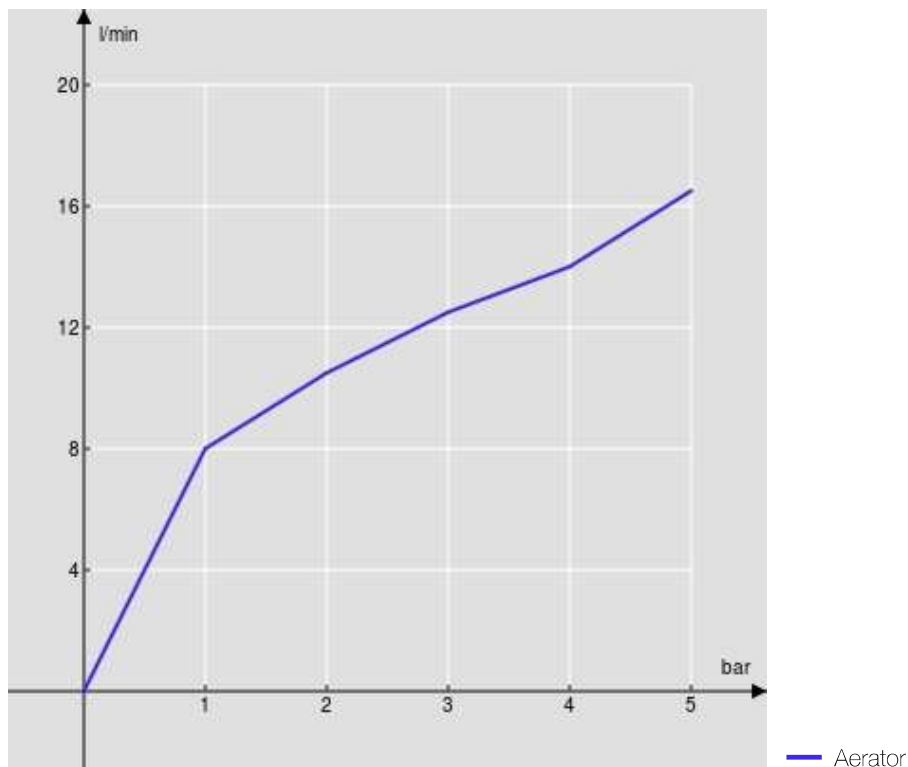
Packaging: 32 x 16,5 x 7 cm / 0,0037 m³ / 2,5 kg

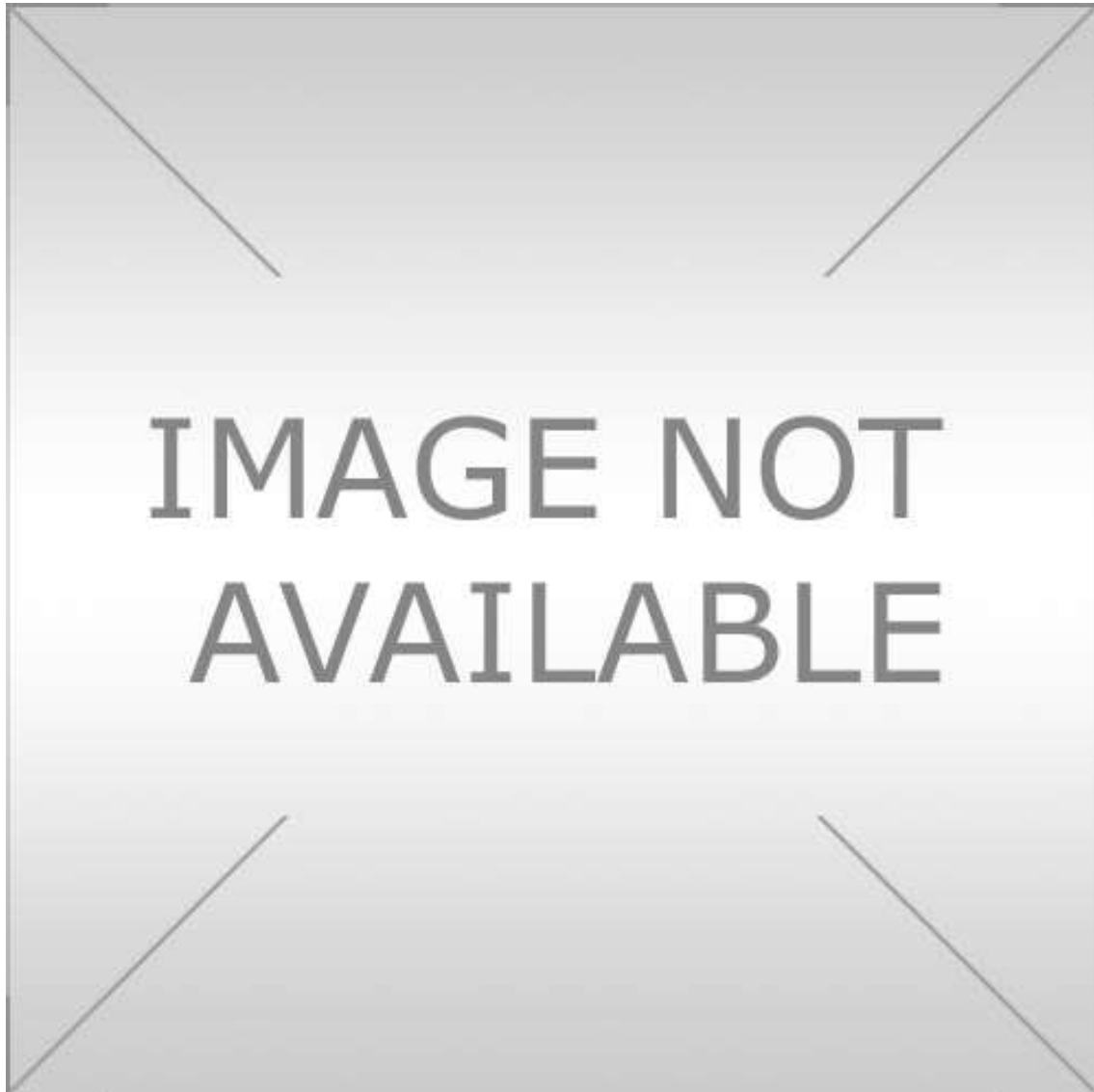


FLOW RATE DIAGRAM: HOT/COLD WATER



FLOW RATE DIAGRAM: MIXED WATER





SPECIFICATIONS

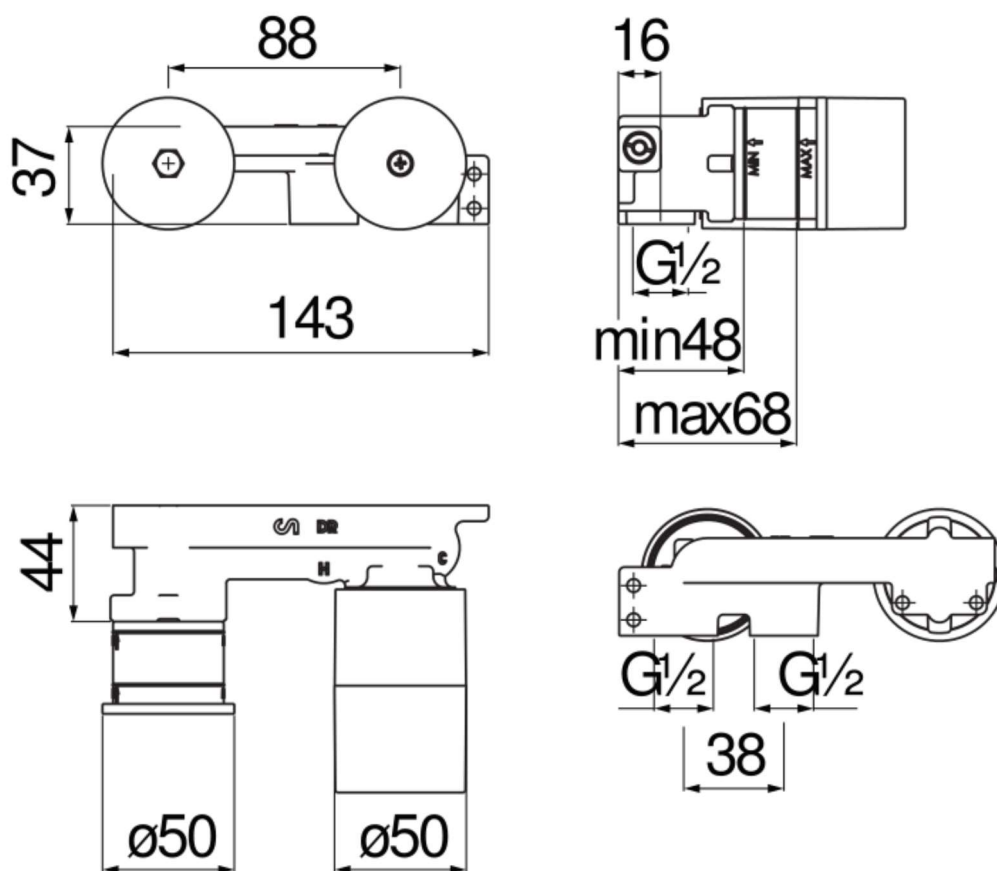
Required flush-fit part

-

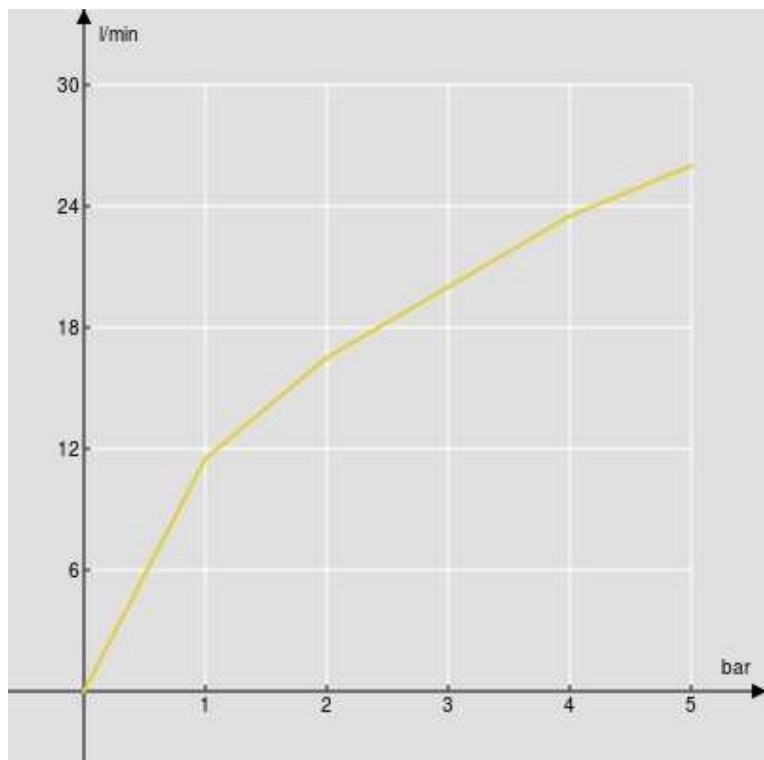
ø 1/2" hot and cold water inlet

1/2" outlet

Packaging: 16,5 x 12 x 5 cm / 0,00099 m³ / 0,98 kg

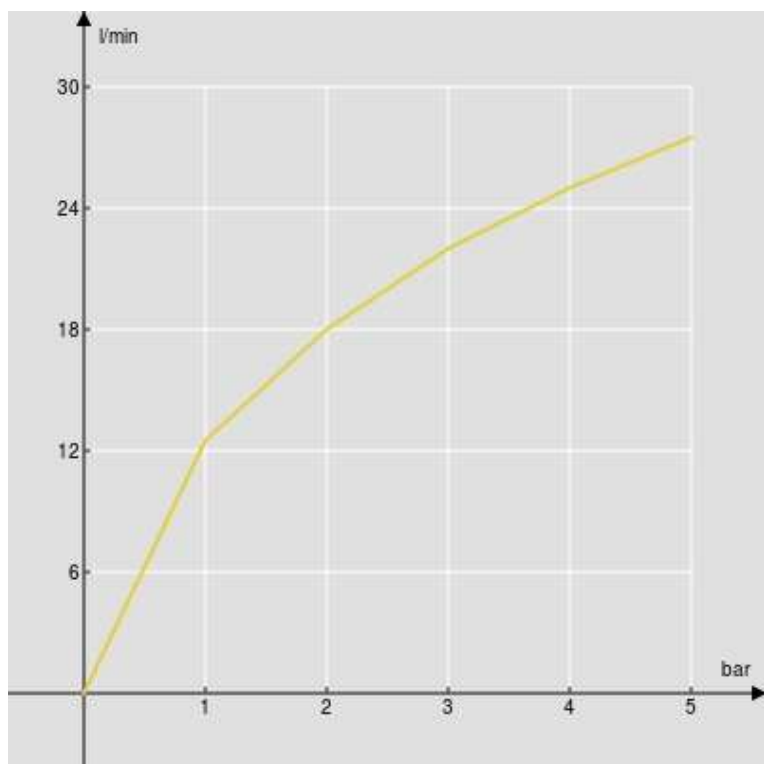


FLOW RATE DIAGRAM: HOT/COLD WATER



— 1st Way

FLOW RATE DIAGRAM: MIXED WATER



— 1st Way