

Usage and Maintenance Manual

Product Information

- A. This product manufactured of high quality brass and electro plated to a high standard to offer years of trouble free usage.
- B. Operating temperature from 5 - 90°C.
- C. Operating water pressure 1 - 8 bar (0.1 -0.8 MPa).
- D. The recommended working pressure: 2 – 3 bar.

Operation of product

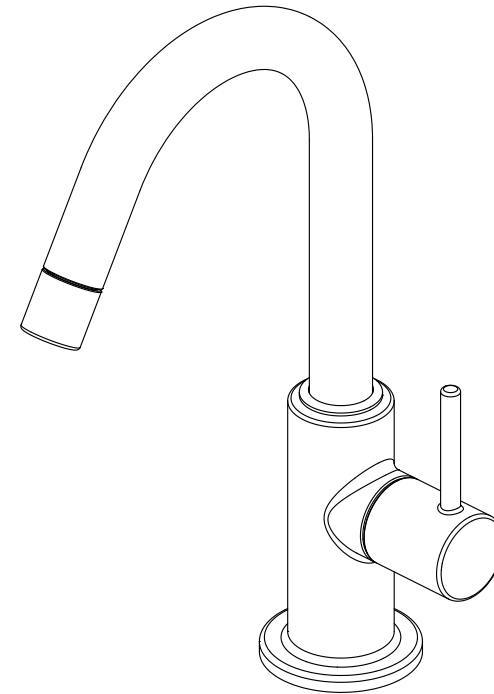
Rotate the handle forward to open and increase water flow, contrarily, to decrease and stop water flow.

Product Care

We recommend keeping your product in optimal condition, that you clean it regularly using warm soapy water and a soft cloth. Dry with a soft cloth to return it to its original lustre.

Do not clean with harsh or abrasive cleaning materials, as this could damage the product.

Installation Instruction Usage and Maintenance Manual

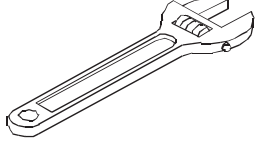


Please read this instruction carefully to avoid any difficulty during installing

Step#2

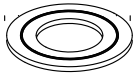
Diagram 1

Tools



Adjustable Wrench

Diagram 2



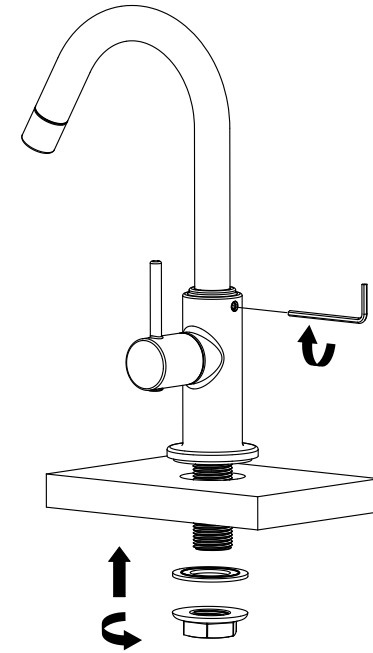
1x



1x

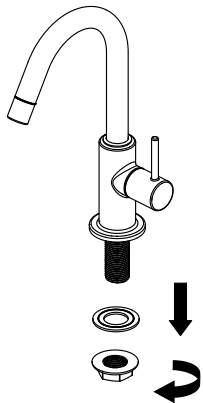


1x



Installation illustration

Step #1

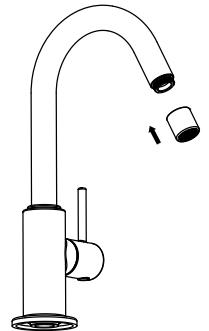
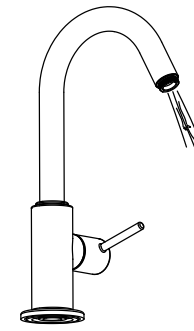
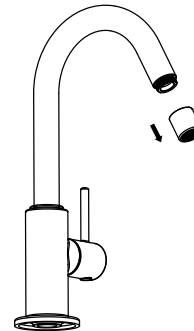


Unscrew the mounting nut and rubber washer from the tap.

2

Step#3

Flush the mixer tap clean before using for the first time, Unscrew the aerator and let the water run through for about 5 minutes. Then screw on the aerator again.



3