

Architect concealed washbasin mixer 200- external parts



“geborsteld rvs” IS



RWGA13C6IS02

“staal 02” 01



RWGA13C60102

“koper 02” 03



RWGA13C60302

“mat goud 02” 04



RWGA13C60402



Certified to
NSF/ANSI 61

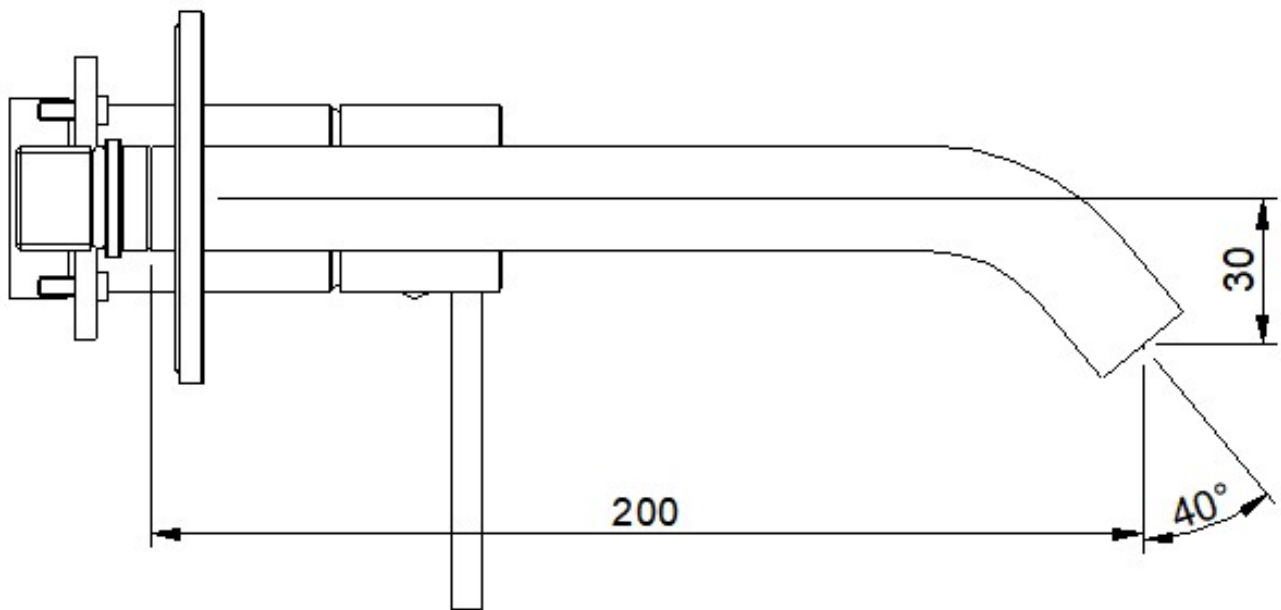
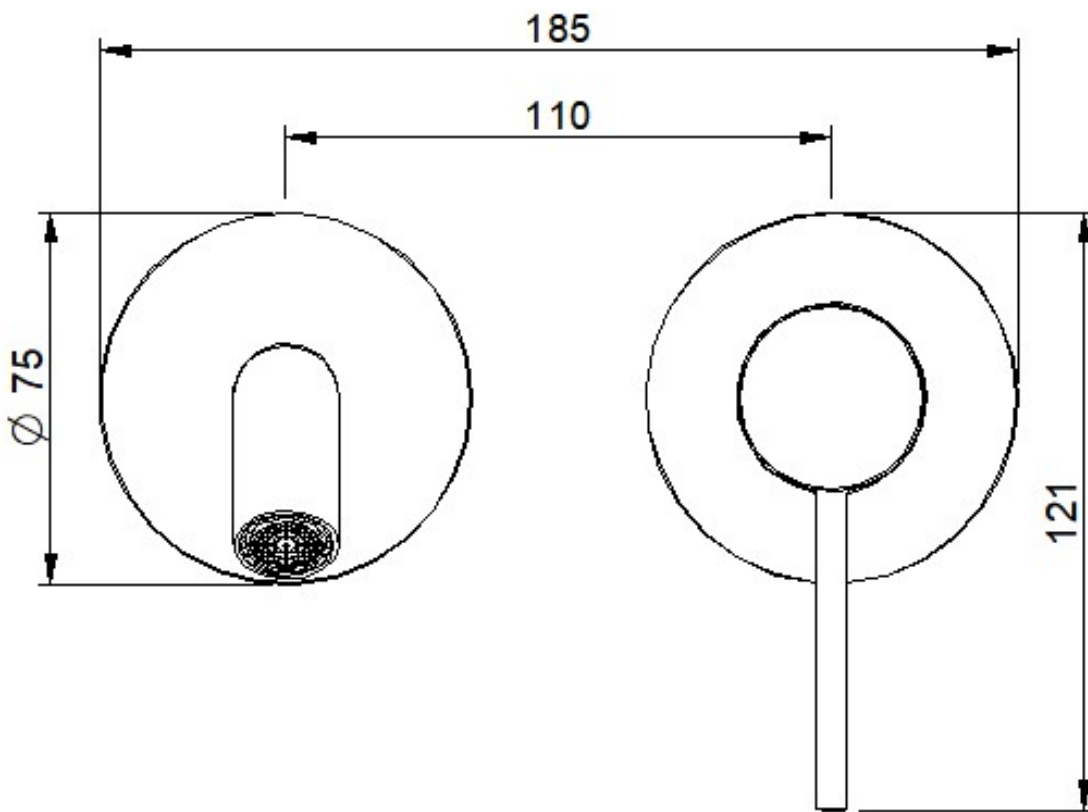


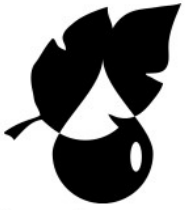
SISTEMA QUALITÀ CERTIFICATO



UNI EN ISO 9001 : 2015







LINEAR ECO FLOW RATE TEST MIXED

