

SET LAUFEN PRO S

Double countertop basin 81496.6



TECHNICAL DATA

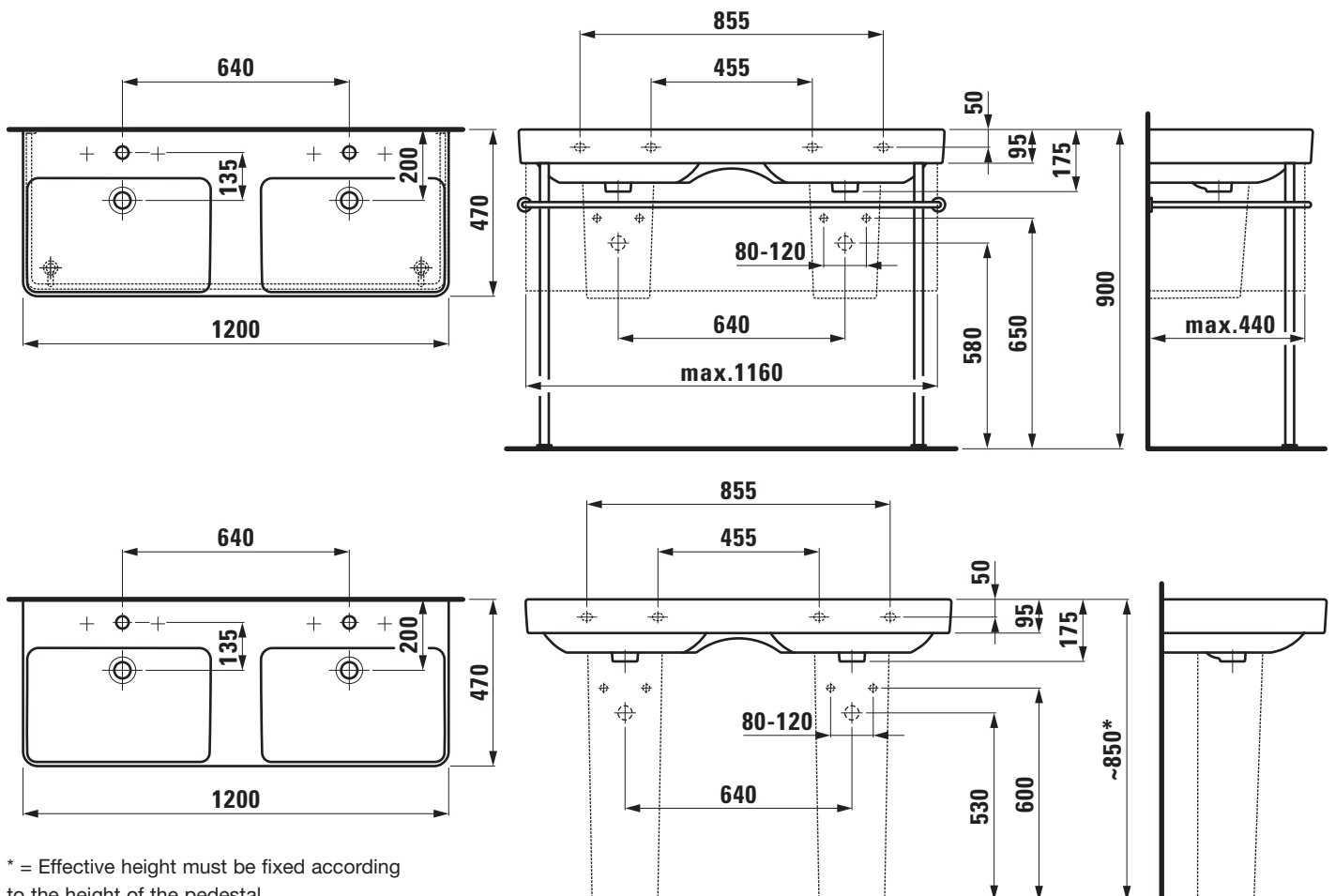
| | |
|--------------------------------|--|
| Order no. | 81496.6 |
| Certified to | EN 31 |
| Dimensions | 1200 x 470 mm |
| Inside dimensions of the basin | per basin 500 x 295 mm |
| matching for | Vanity unit Laufen Pro S, order no. 48356.3, 48356.4 |
| Specification | Charge 104 – per basin 1 centre tap hole per basin 1 overflow |
| Special specification | Charge 108 – per basin 3 tap holes per basin 1 overflow Charge 109 – without tap holes per basin 1 overflow Charge 136 – per basin 3 tap holes, distance 8 inches |
| Weight | |

| | |
|---------------------|---|
| Accessories excl. | Siphon cover, order no. 81996.3 (3 tap holes not possible) Pedestal, order no. 81996.2 Towel rack, order no. 38596.3 |
| Mounting acc. excl. | 2x Mounting set M10 x 140 mm, order no. 89988.2 |
| Colours | see colour table |

SPECIFICATION TEXT

Double countertop basin LAUFEN PRO S, sanitary ceramic EN 31, dimensions 1200 x 470 mm, angular per basin 1 centre tap hole
Special feature: overflow channel glazed
Further options / accessories: Surface refinement LCC (only white), per basin 3 tap holes, without tap holes, per basin 3 tap holes distance 8 inches, siphon cover, pedestal, towel rack, bathtubs, vanity unit, furniture
Order no. 81496.6

TECHNICAL DRAWINGS / S 1 : 20



* = Effective height must be fixed according to the height of the pedestal.