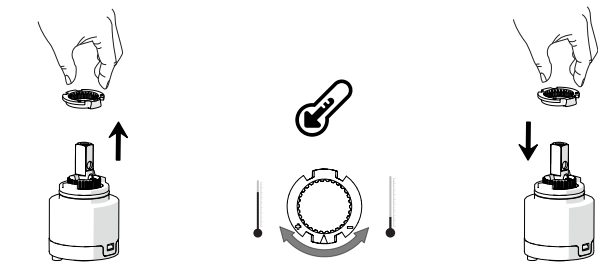


7

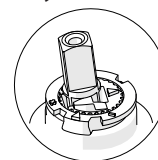
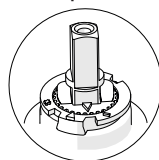
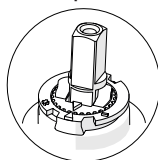
9



No limitation of temperature

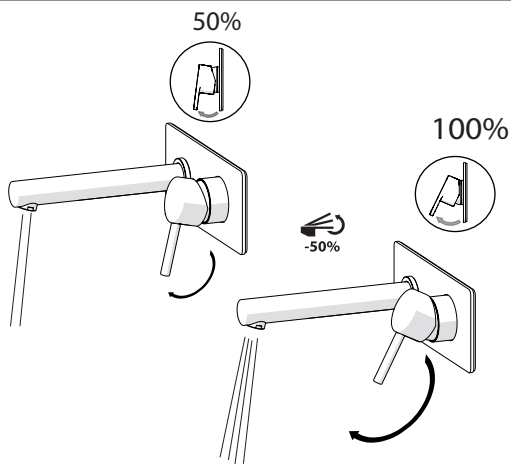
Partial limitation of temperature

Maximum position Only cold water



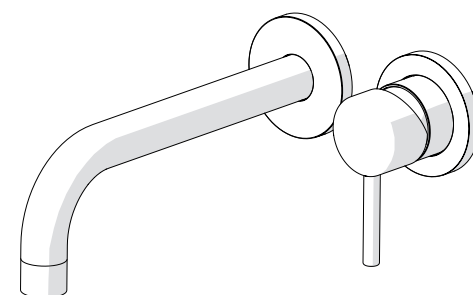
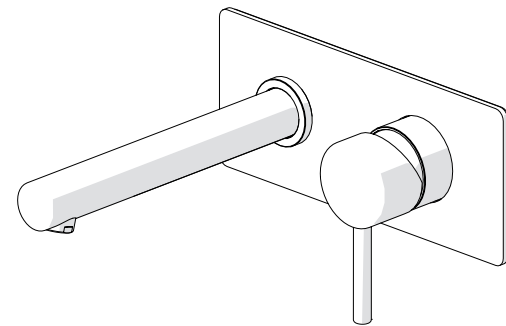
8

10



ISTR LV00198#---STD

NOBILIS
The Best Technology for Water



LV00198
LV00198_1



REV1.02/2014