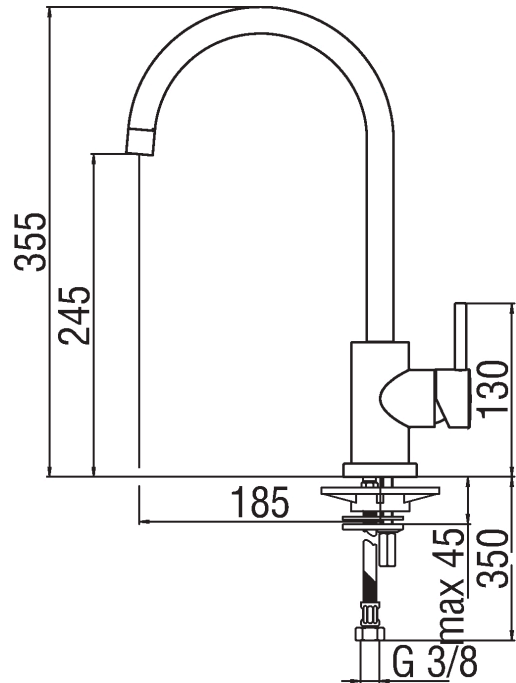


Image



Technical drawing



Specifications

Sink  
Single control  
Swivel spout  
Cartridge  $\varnothing$  35 mm  
Dynamic flow limiter (-50%)  
The temperature limiter  
Aerator Neoperl<sup>®</sup> M 16 x 1  
Flexible Parigi<sup>®</sup> SPX<sup>®</sup> stainless steel  $\varnothing$  3/8"  
Packaging: 56,5 x 29 x 7,1 cm / 0,011633 m<sup>3</sup> / 2,37 kg

Flow rate diagram

