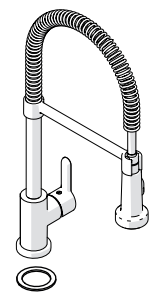


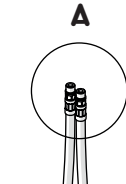
+



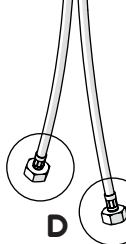
Not included / Non incluso / Non inclus / Nie zawarty / No incluido / Não incluido



C

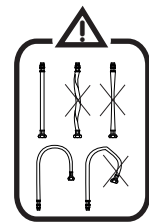
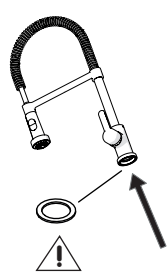


A

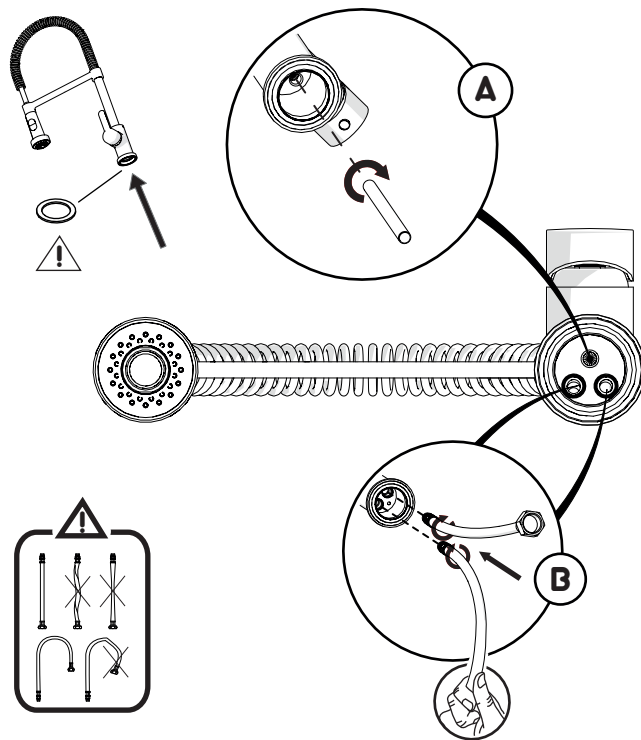


D

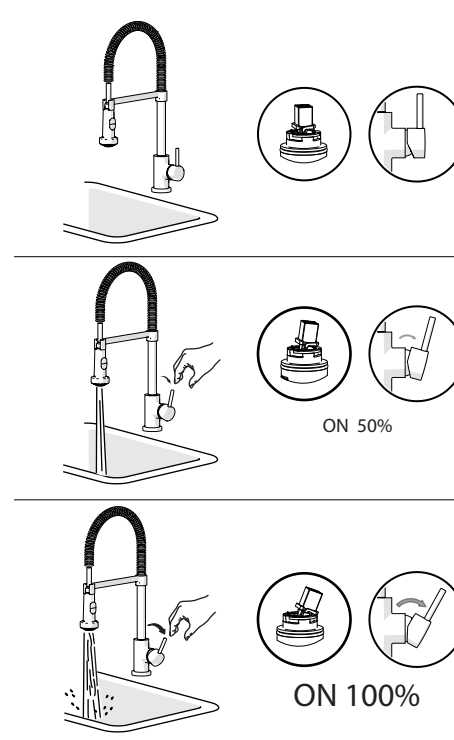
1



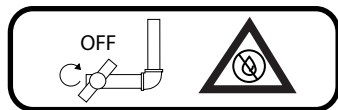
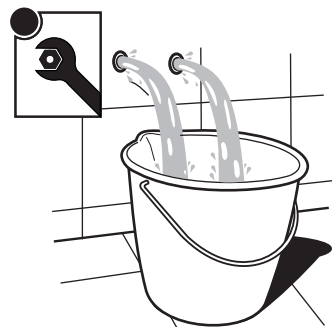
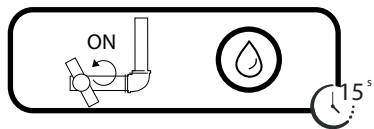
3



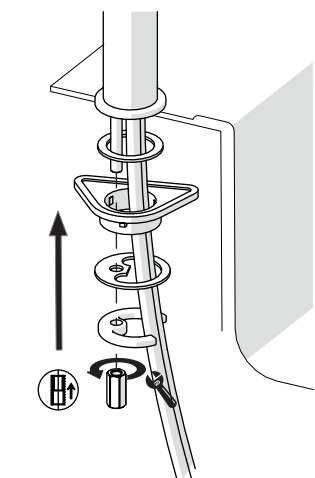
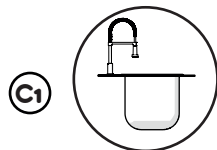
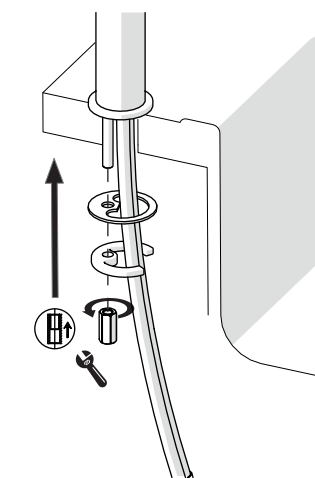
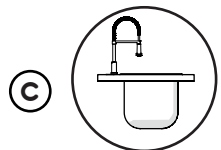
5



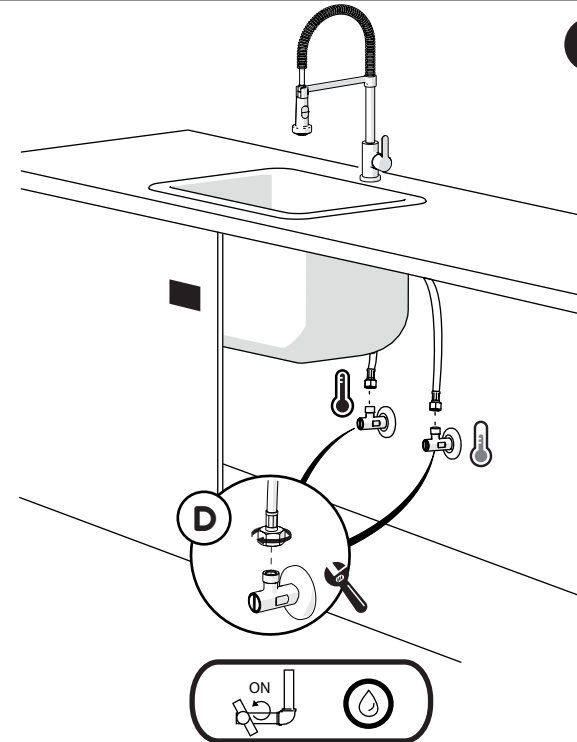
2

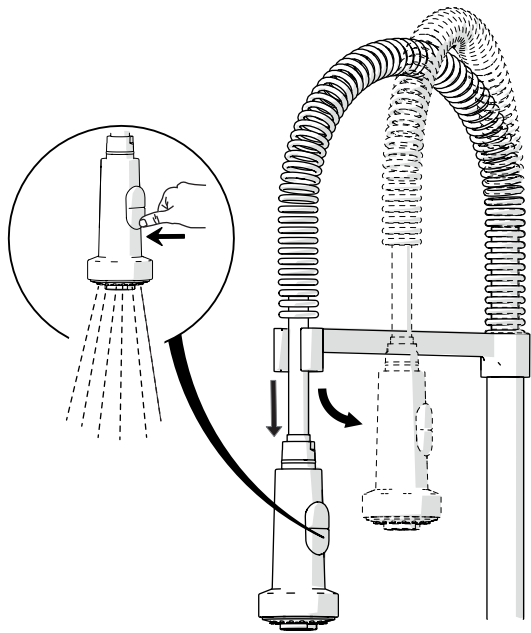


4

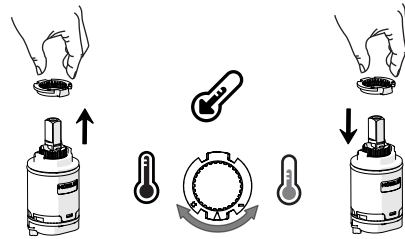


6





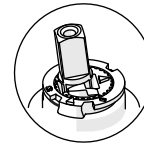
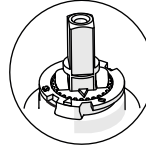
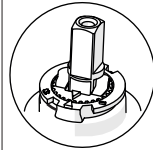
7



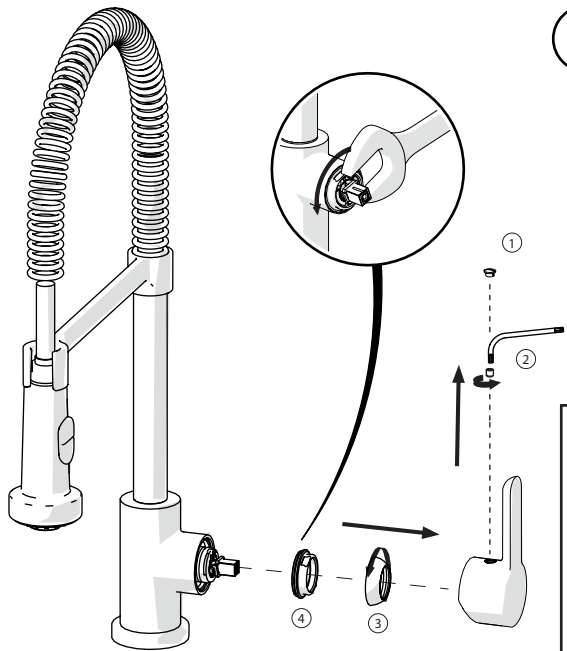
No limitation of temperature

Partial limitation of temperature

Maximum position Only cold water

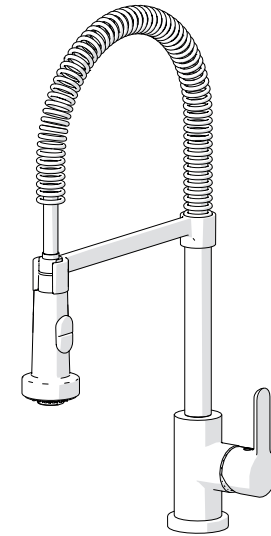
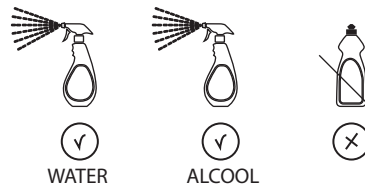
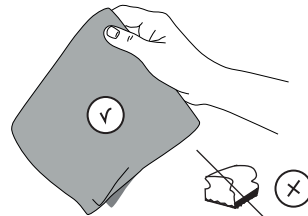


8



10

 CLEANING



www.grupponobili.it

IISTRO0300/3#--STD

NOBILIS
The Best Technology for Water

REV1.01/2014

