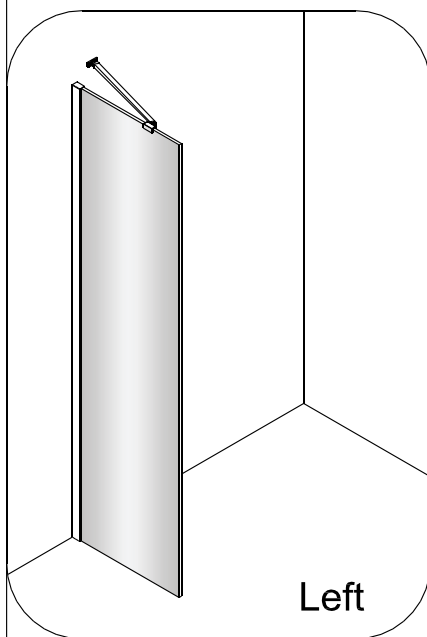
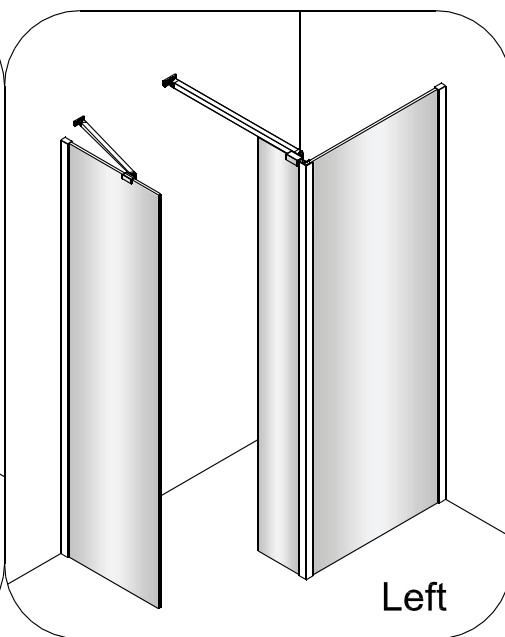


CAR60X / CAR70X / CAR80X CAC4GX / CAC6GX / CAC7GX CAC9GX / ABR90 / ABR10 / ABR12 Instruction Manual

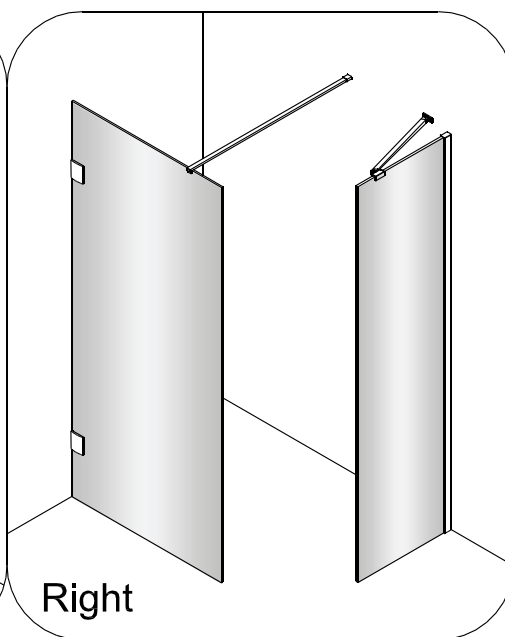
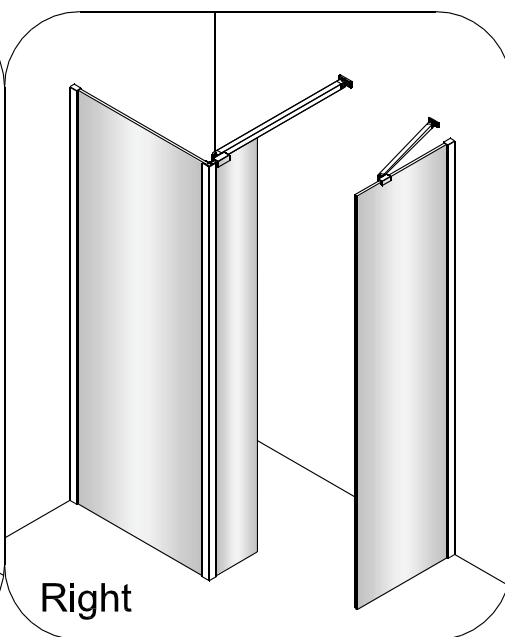
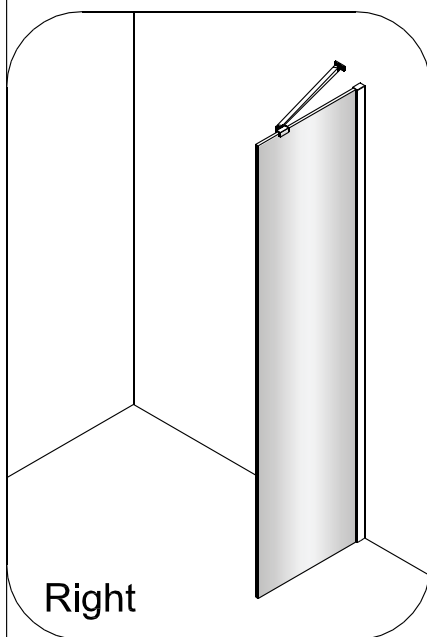
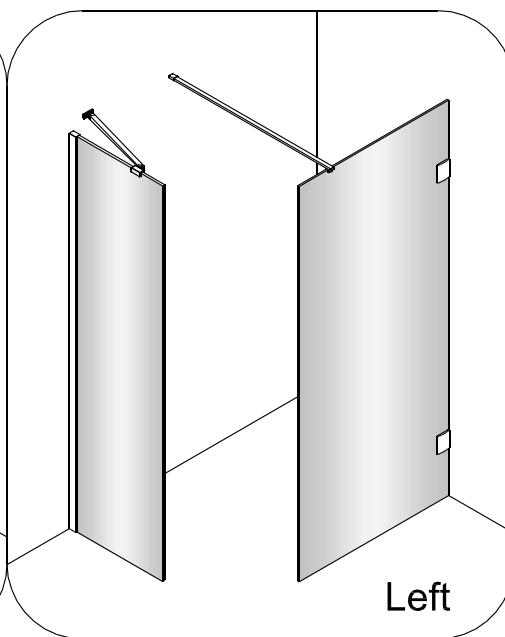
SET A(Page 3-5)



SET B(Page 6-9)



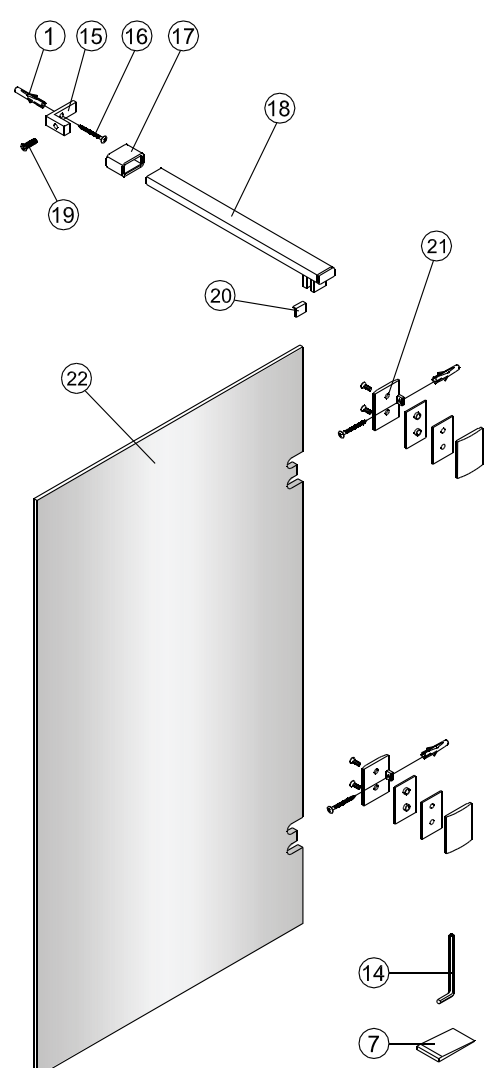
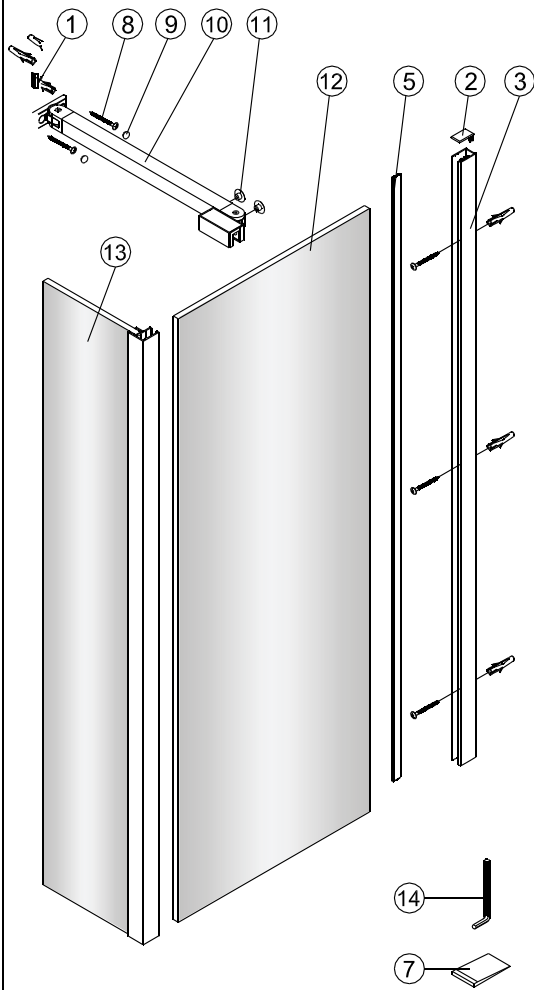
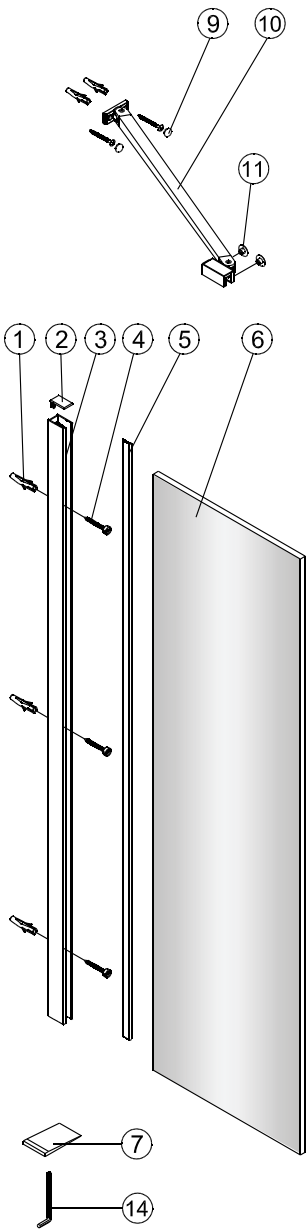
SET C(Page 6-13)



BOX 1

BOX 2

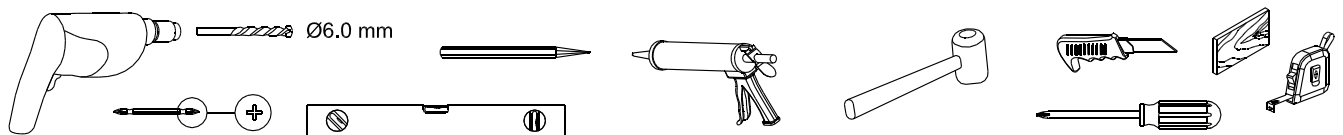
BOX 3



No.	QUANTITY
1	5
2	1
3	1
5	1
7	6
8	5
9	2
10	1
11	2
12	1
13	1
14	1

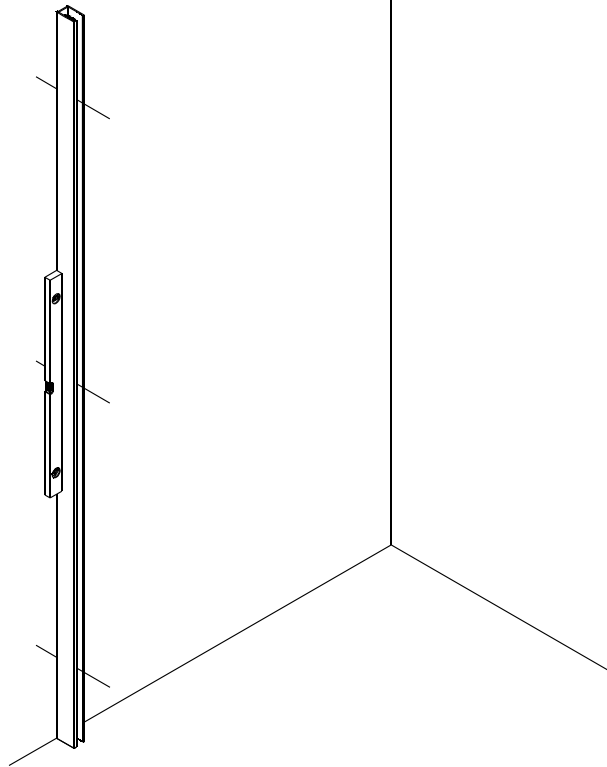
No.	QUANTITY
1	3
7	4
14	1
15	1
16	3
17	1
18	1
19	1
21	2
22	1

No.	QUANTITY
1	5
2	1
3	1
4	5
5	1
6	1
7	4
9	2
10	1
11	2
14	1

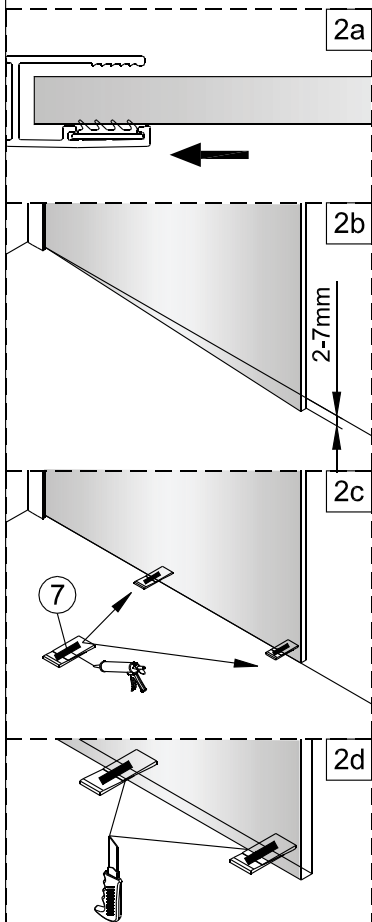
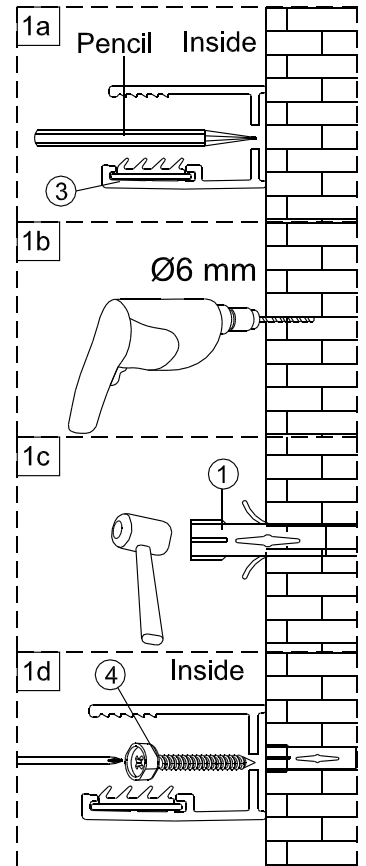


SET A

BOX 1



1

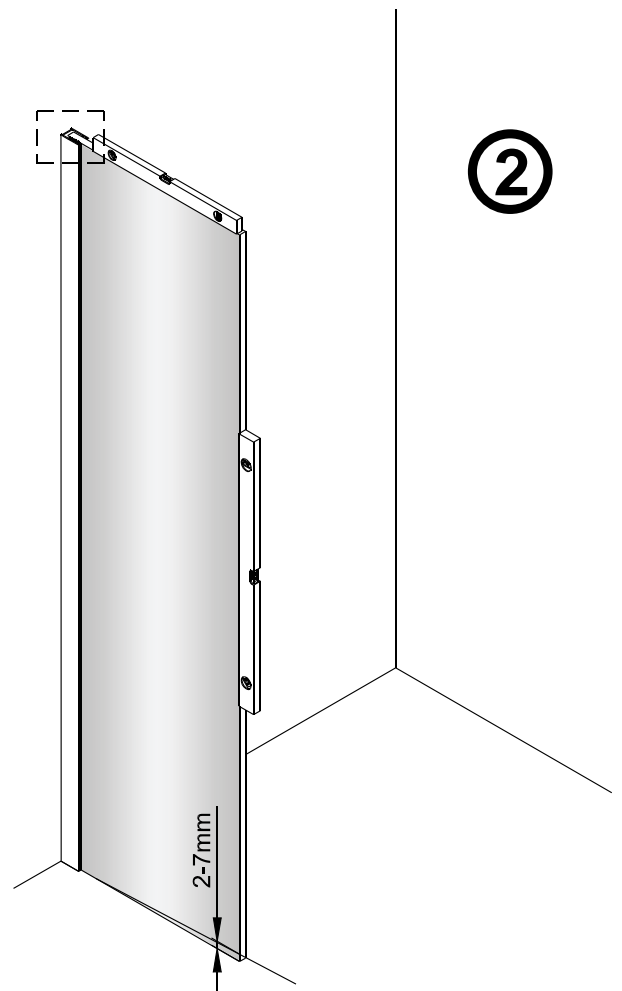


When the bottom fixed door is not in line with the floor or tray edge, the setting wedge 7 will be needed and can pad 2-7mm.

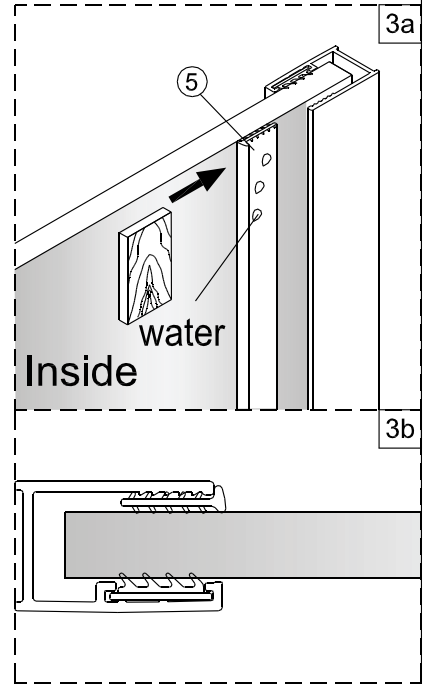
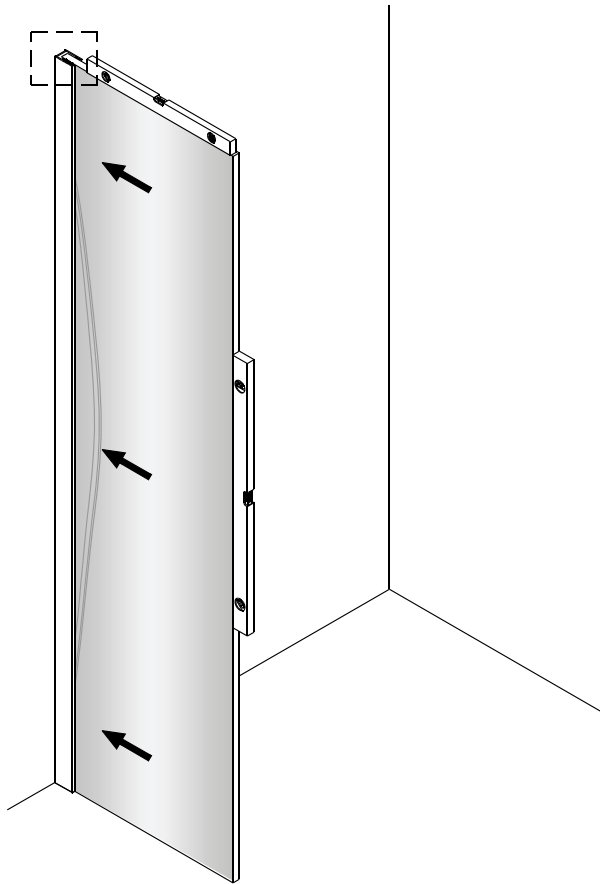
Put silicone on the two wedges and place them to level the fixed door.

Cut the extra part along the bottom edge of fixed door.

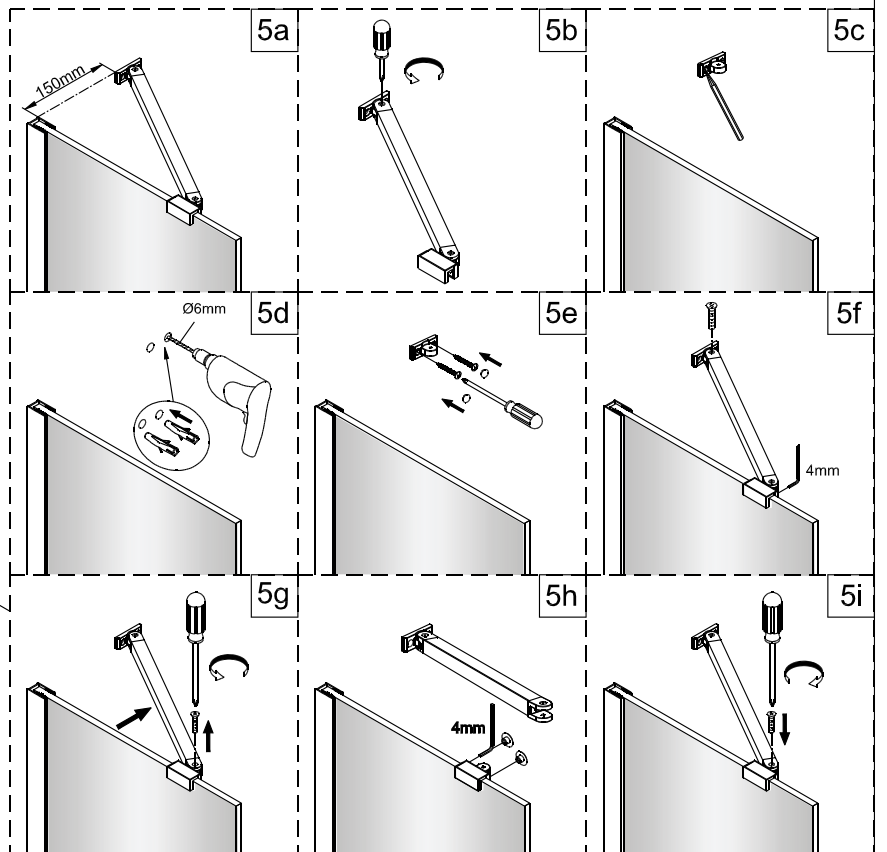
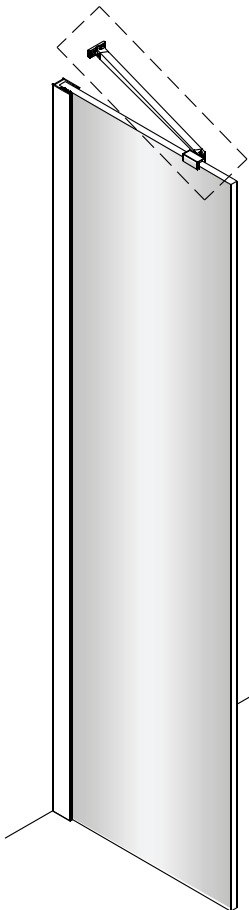
2

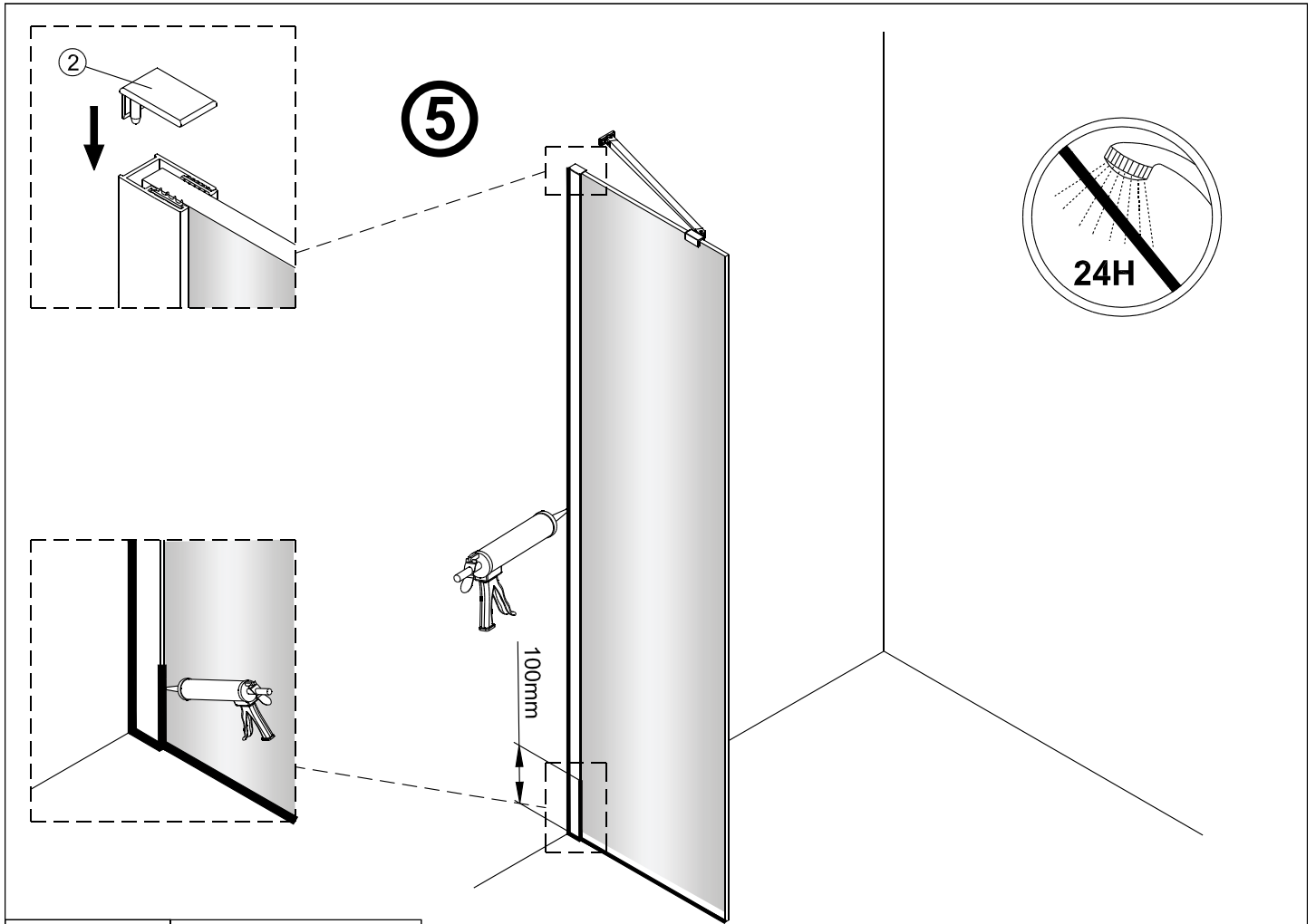


3

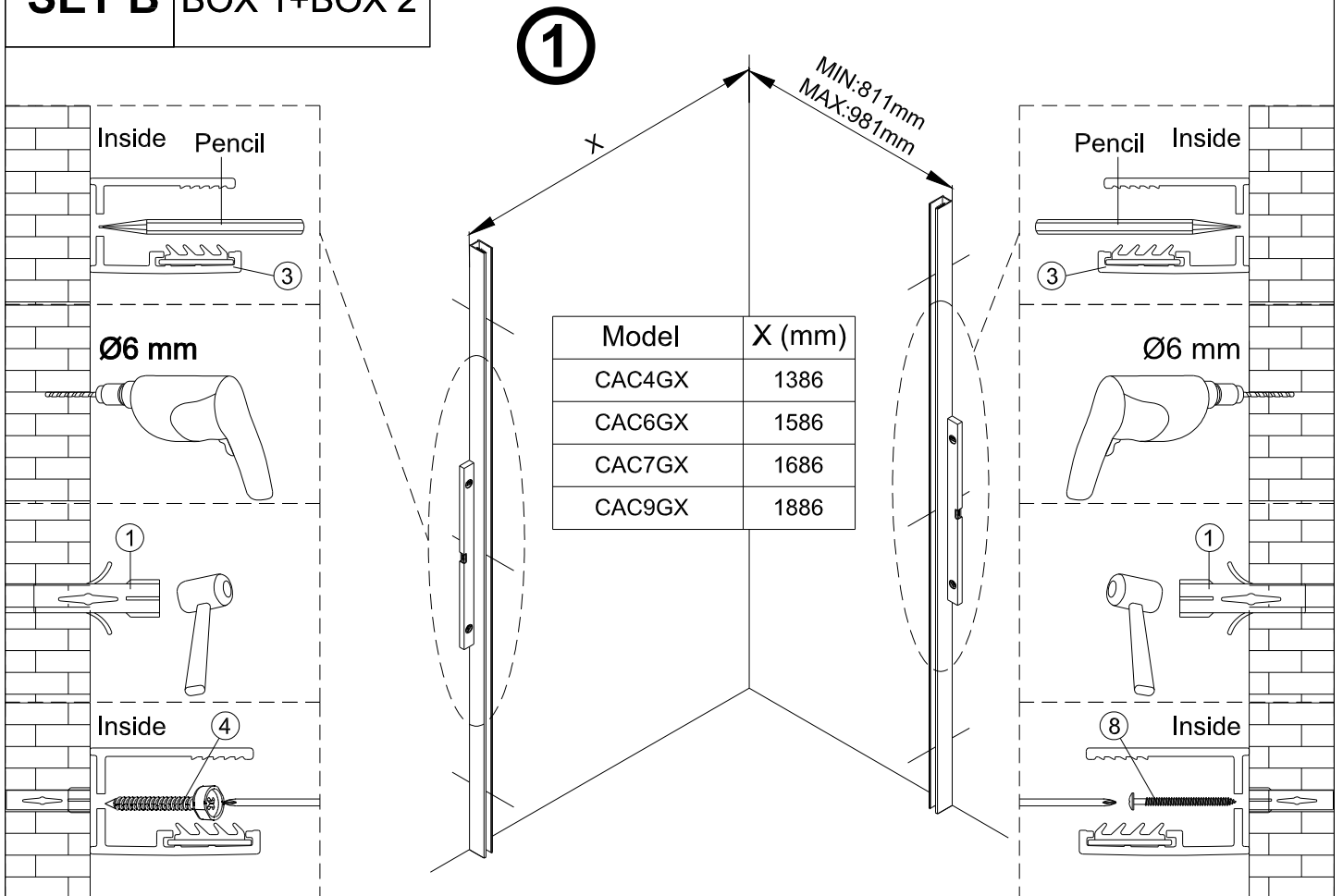


4

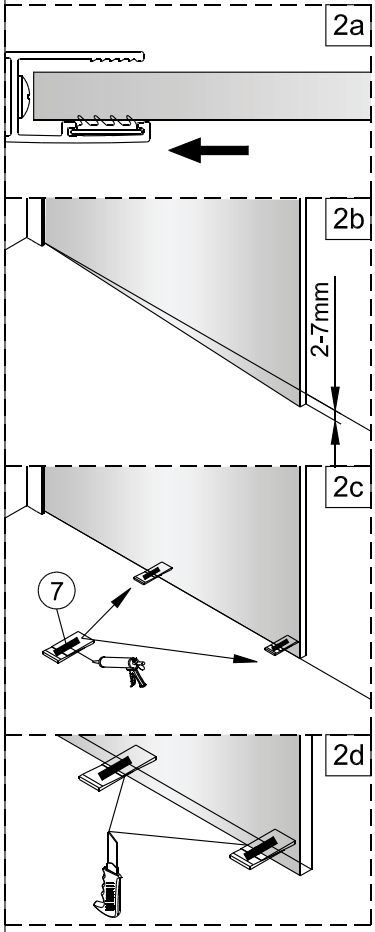




SET B BOX 1+BOX 2

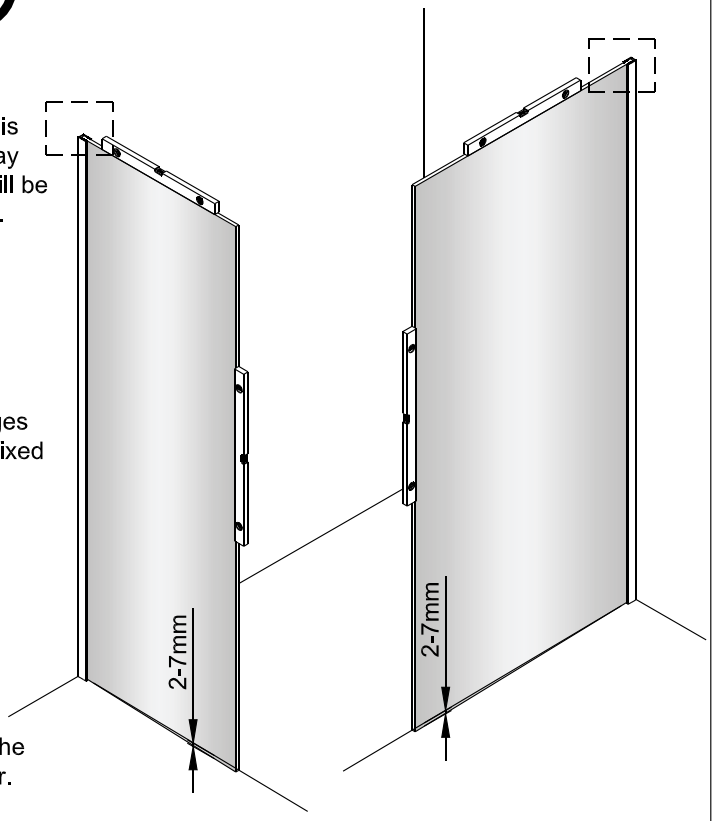


2



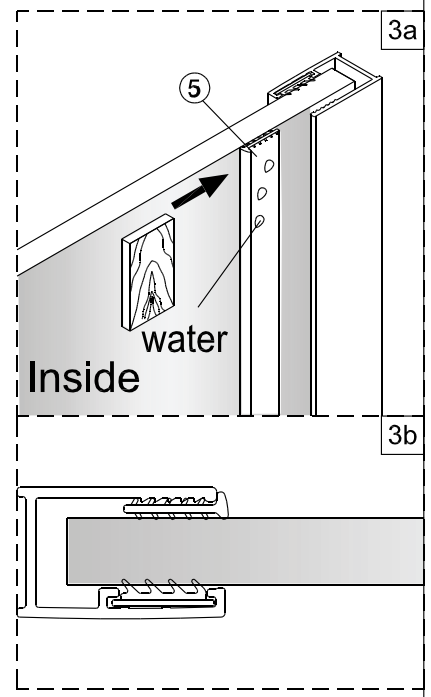
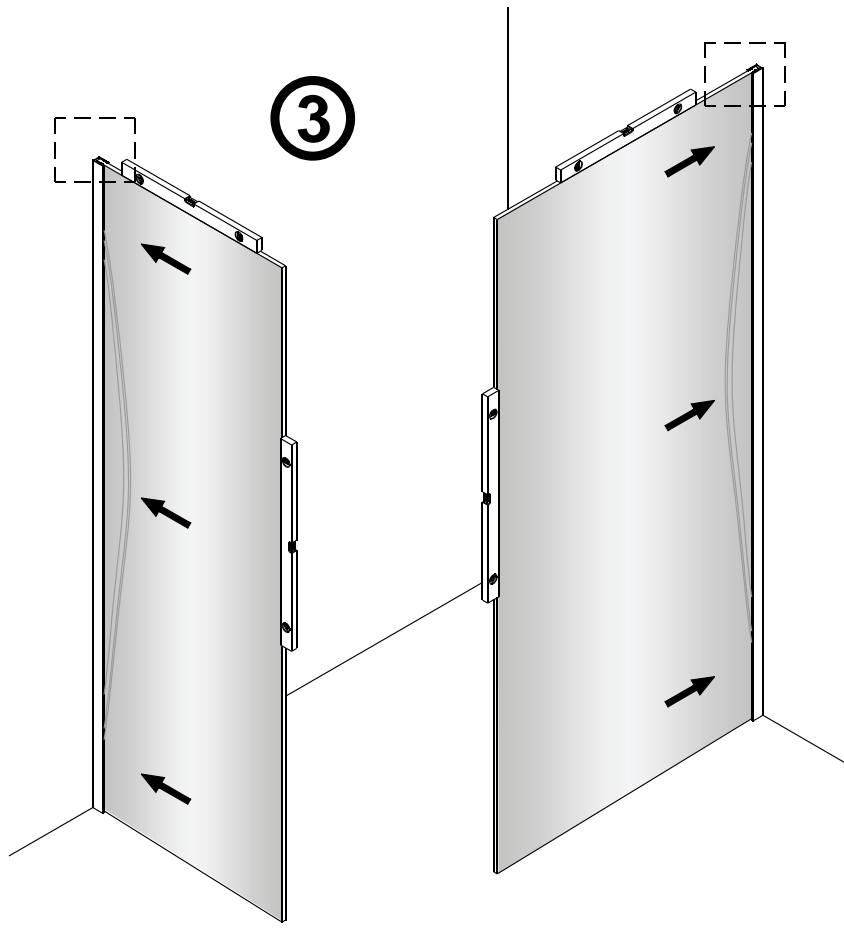
When the bottom fixed door is not in line with the floor or tray edge, the setting wedge 7 will be needed and can pad 2-7mm.

Put silicone on the two wedges and place them to level the fixed door.

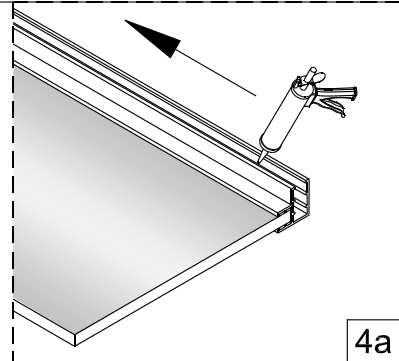
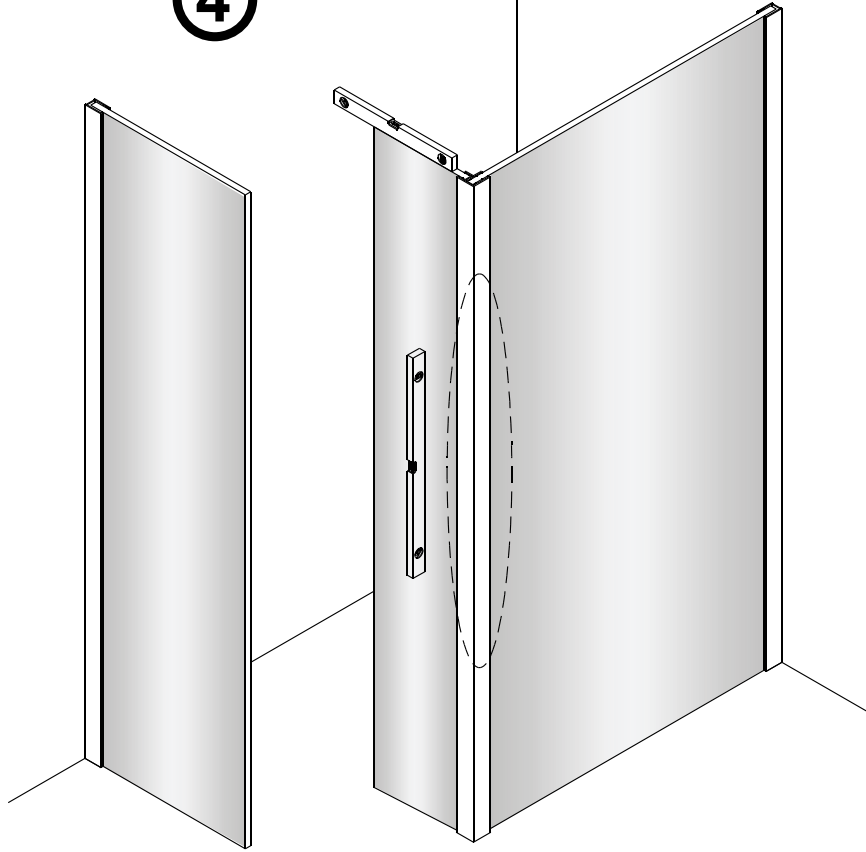


Cut the extra part along the bottom edge of fixed door.

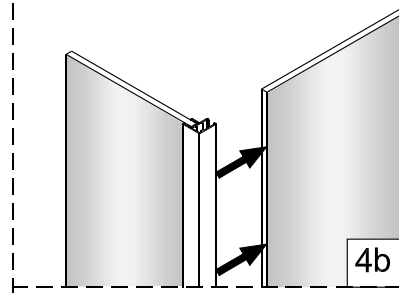
3



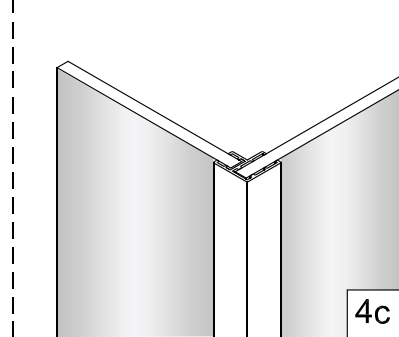
4



4a

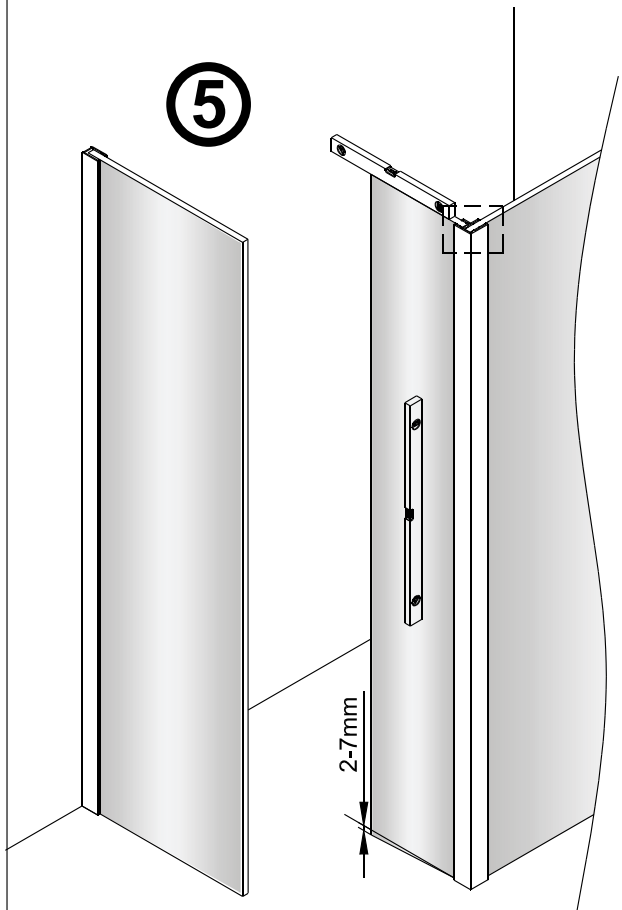


4b



4c

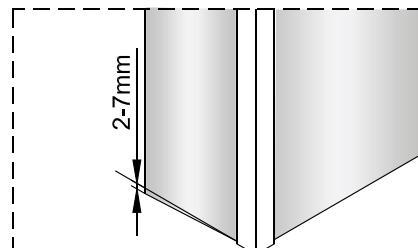
5



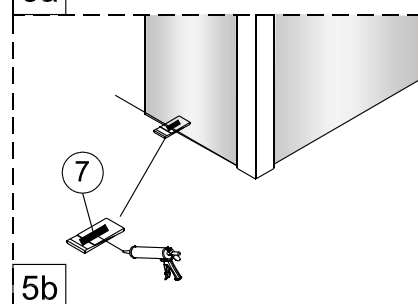
When the bottom fixed door is not in line with the floor or tray edge, the setting wedge 7 will be needed and can pad 2-7mm.

Put silicone on the two wedges and place them to level the fixed door.

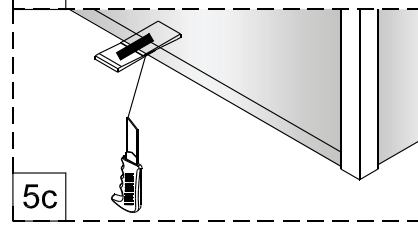
Cut the extra part along the bottom edge of fixed door.



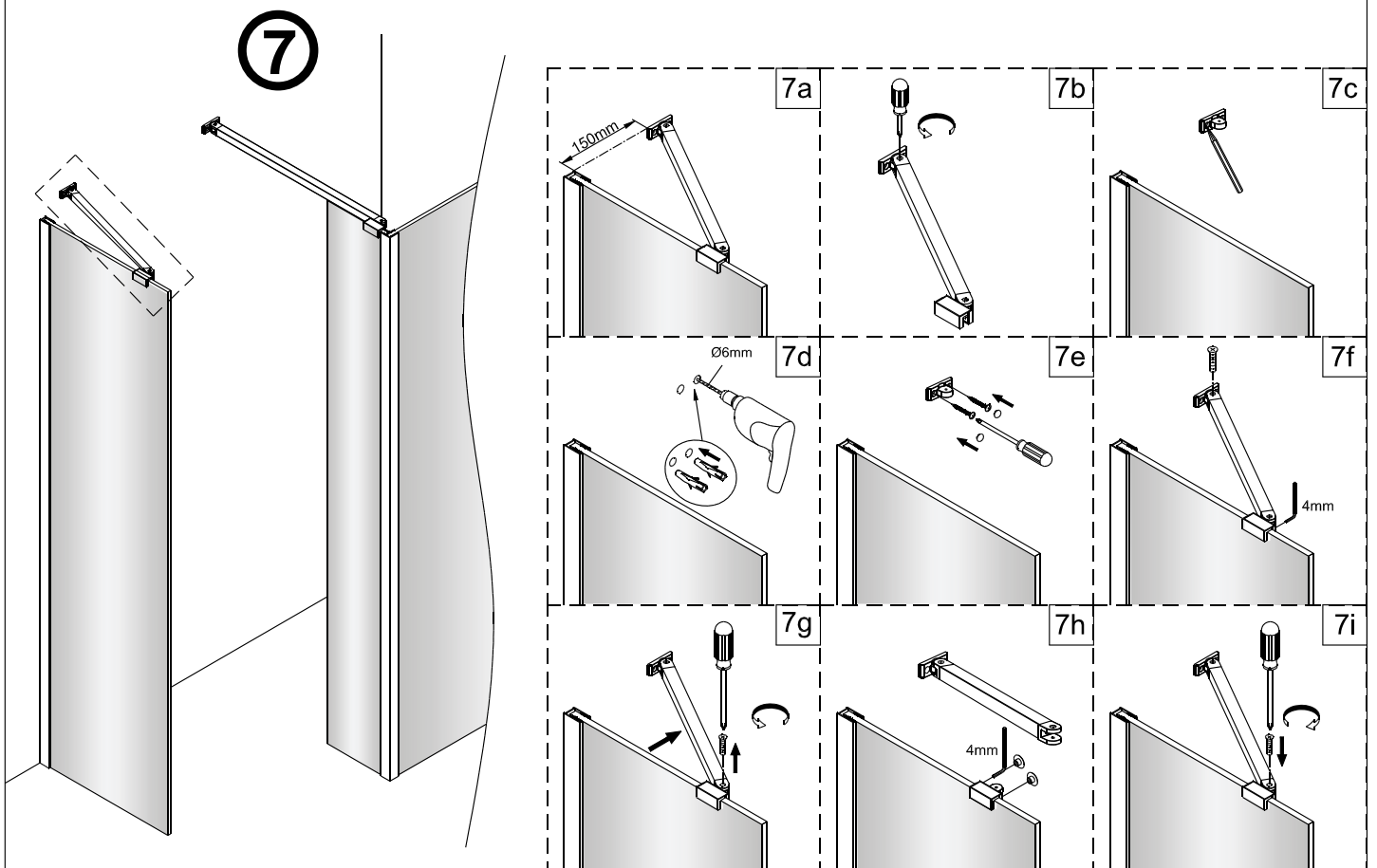
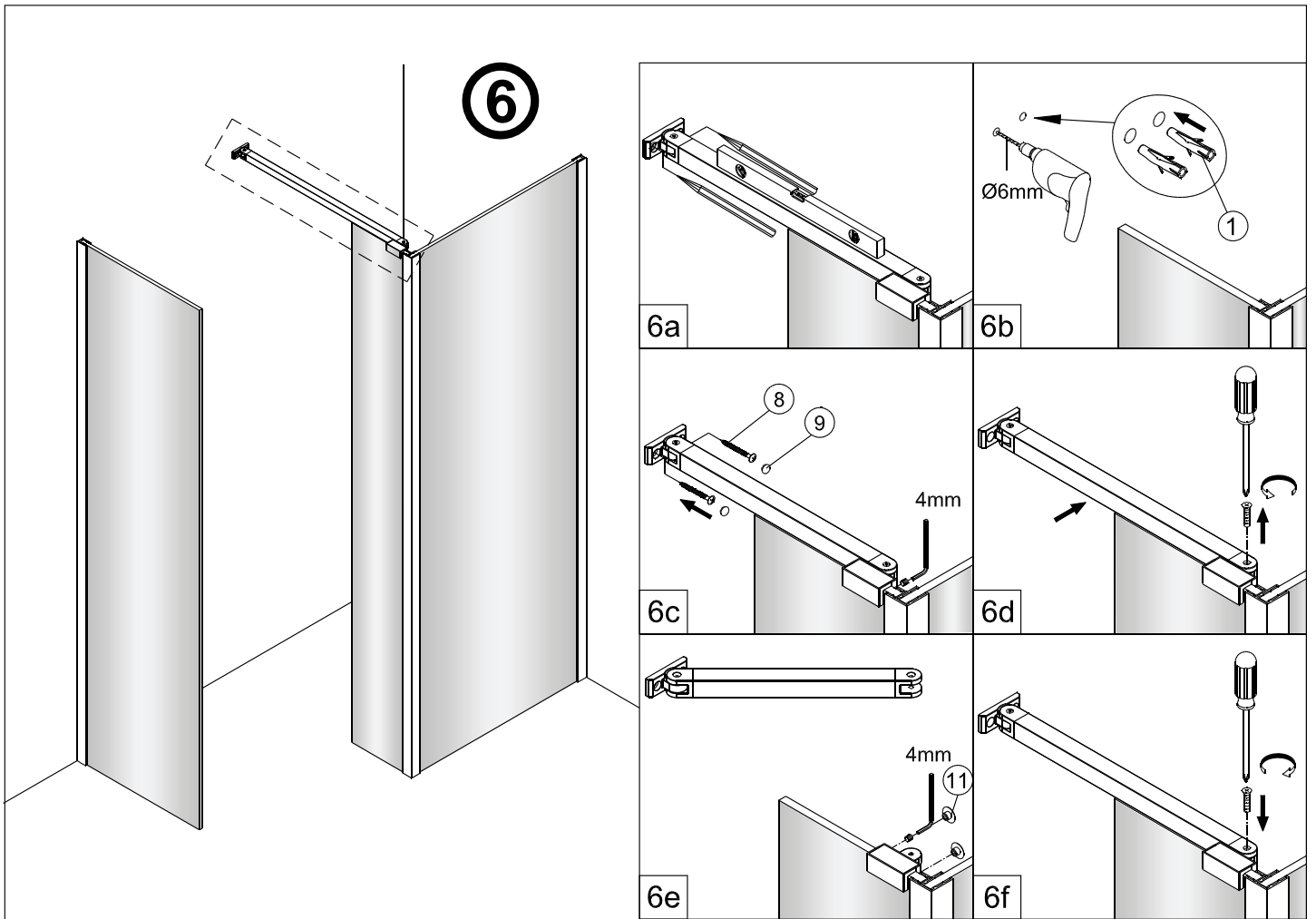
5a

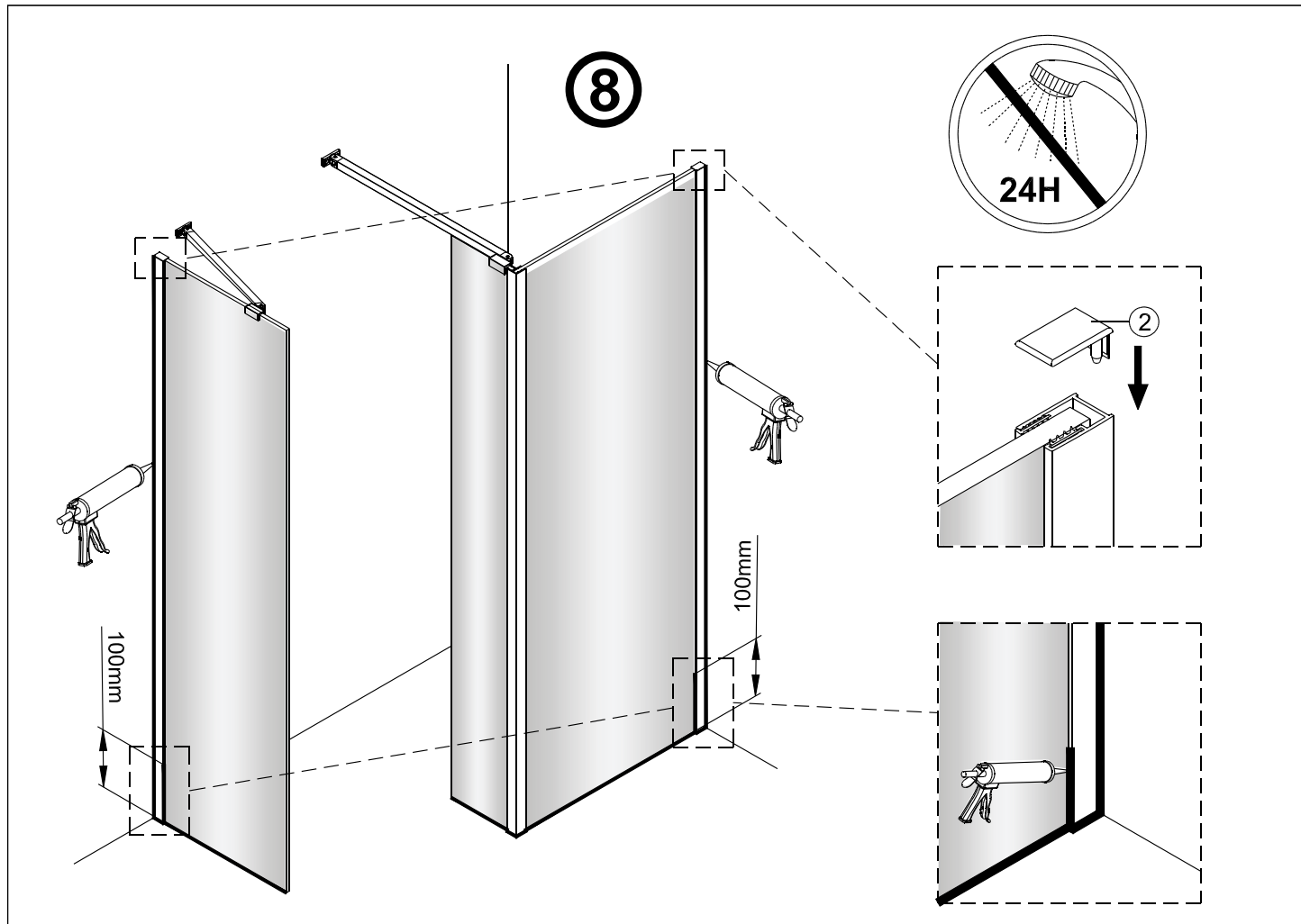


5b

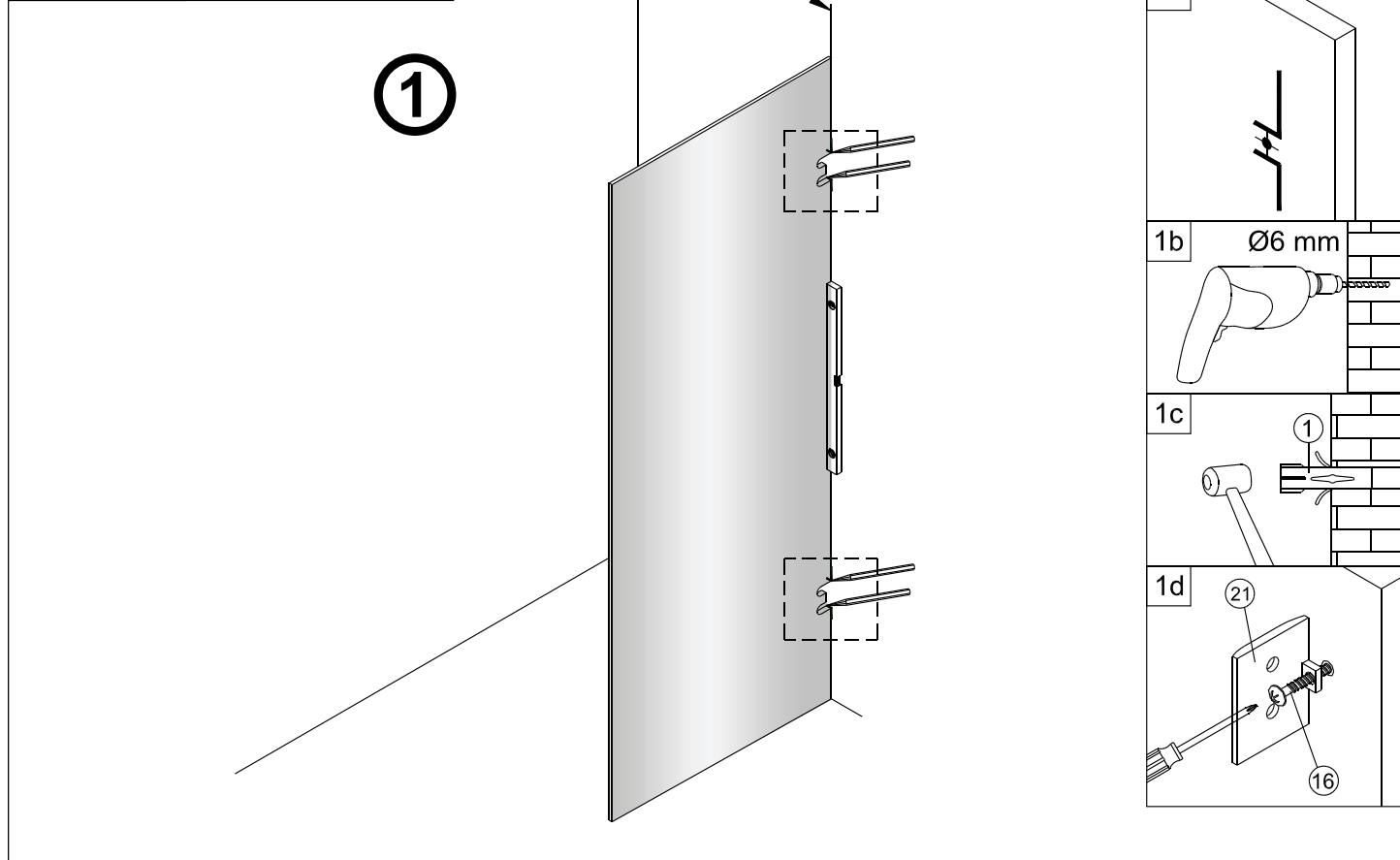


5c





SET C BOX 1+BOX 3

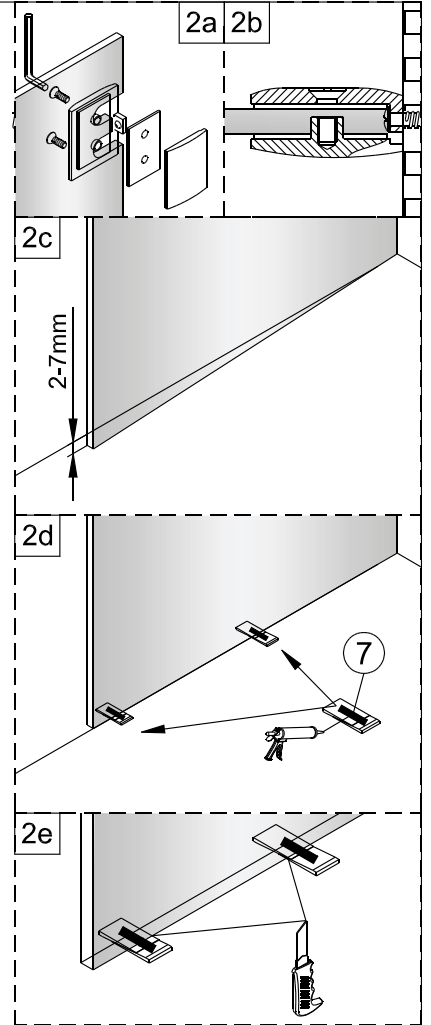


2

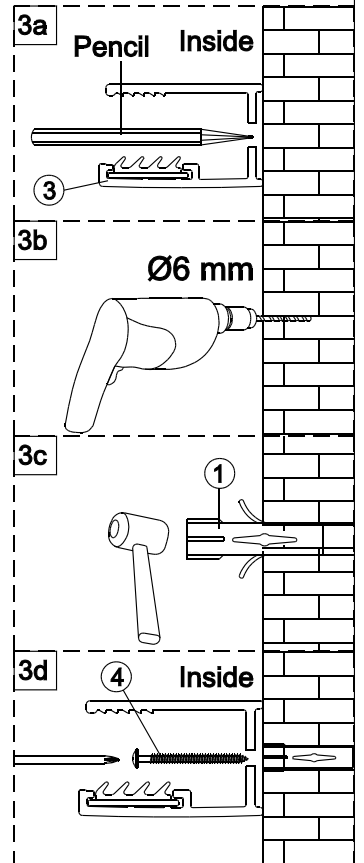
When the bottom fixed door is not in line with the floor or tray edge, the setting wedge 7 will be needed and can pad 2-7mm.

Put silicone on the two wedges and place them to level the fixed door.

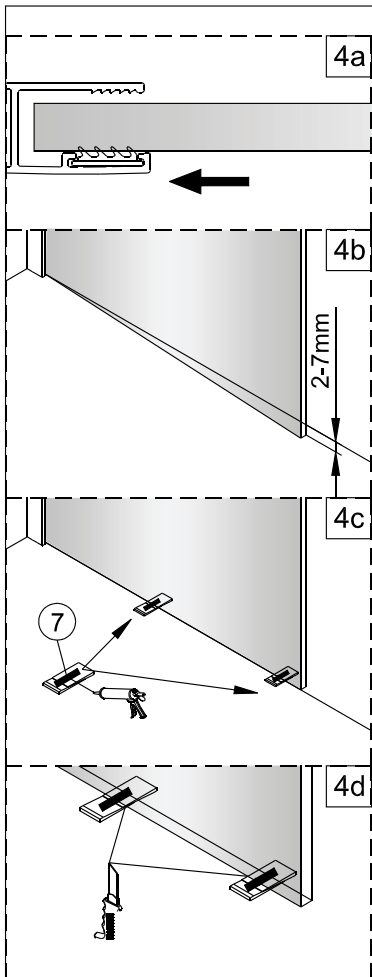
Cut the extra part along the bottom edge of fixed door.



3



Model	X (mm)
ABR90	1340
ABR10	1440
ABR12	1640

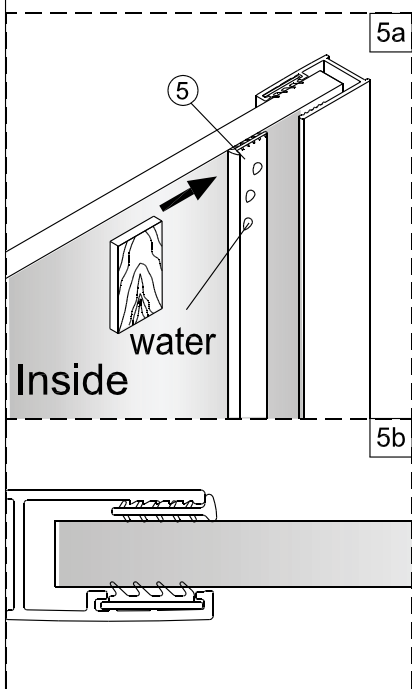
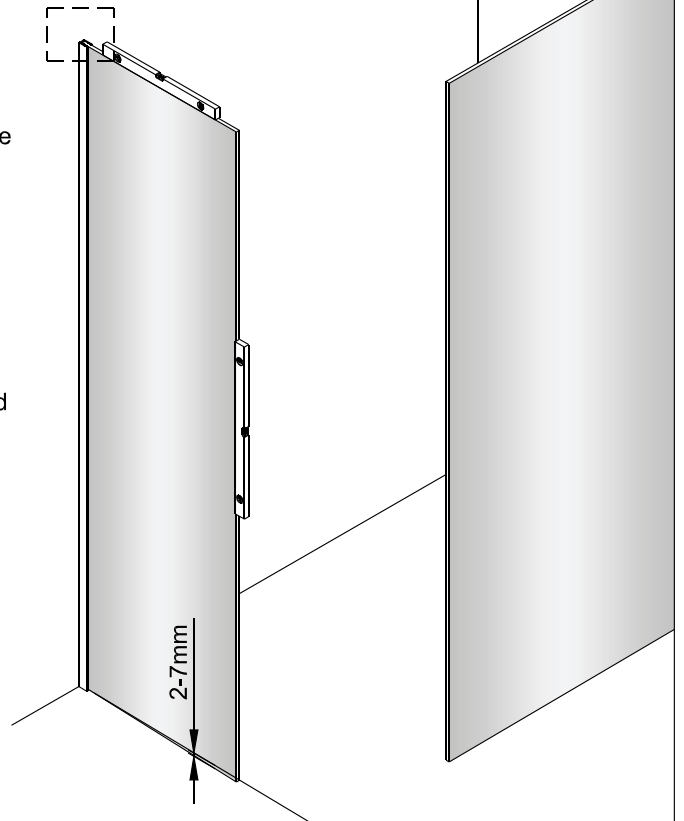


4

When the bottom fixed door is not in line with the floor or tray edge, the setting wedge 7 will be needed and can pad 2-7mm.

Put silicone on the two wedges and place them to level the fixed door.

Cut the extra part along the bottom edge of fixed door.



5

