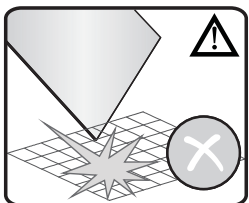
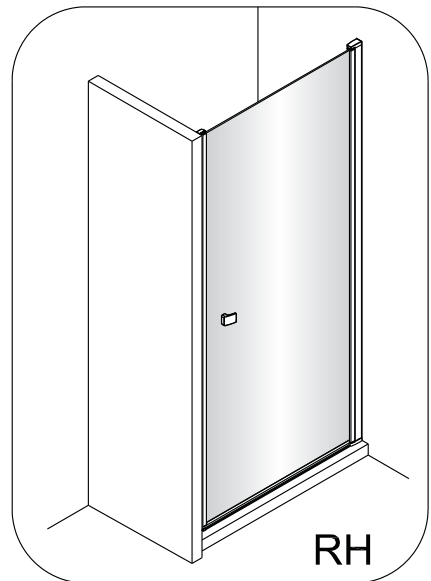
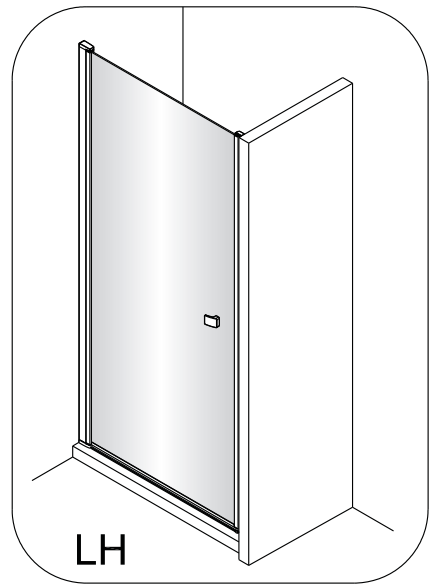
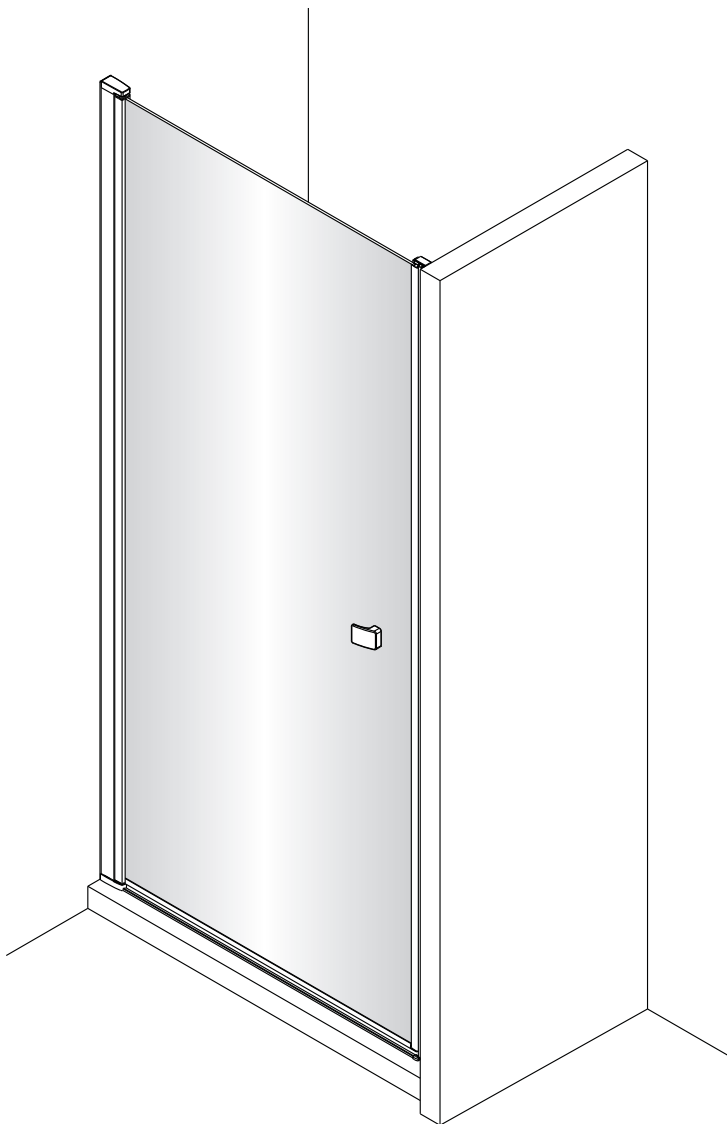
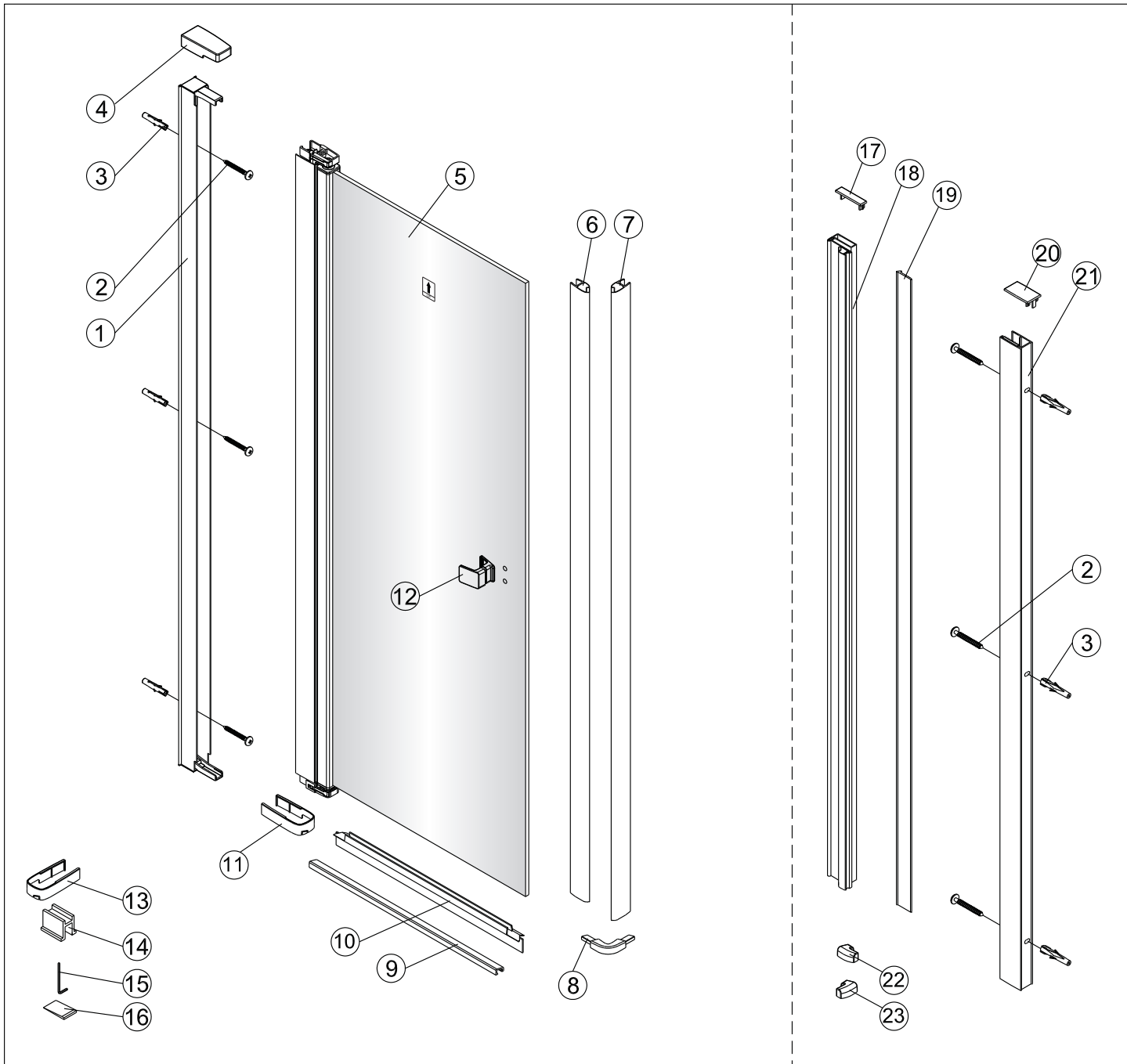


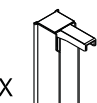



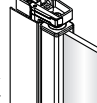

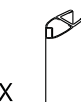

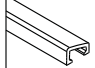


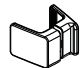
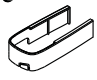
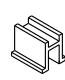

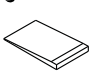
QXP80X / QXP90X + QXP01X Instruction Manual



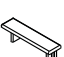
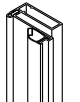
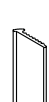
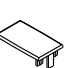
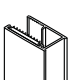




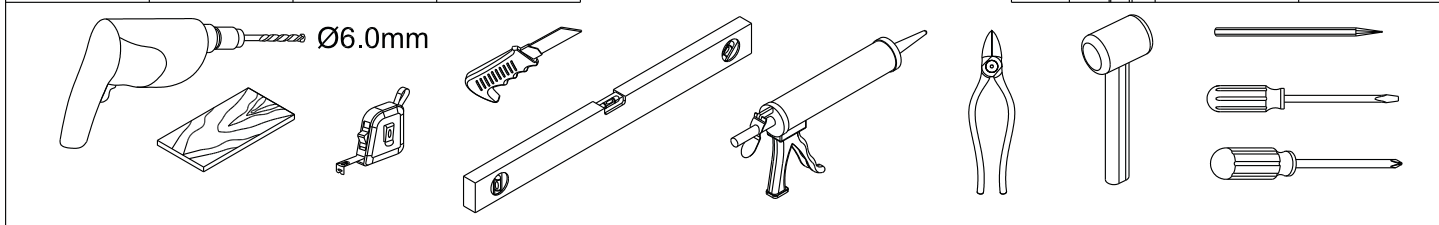
CAUTION! Tempered glass, handle with care!

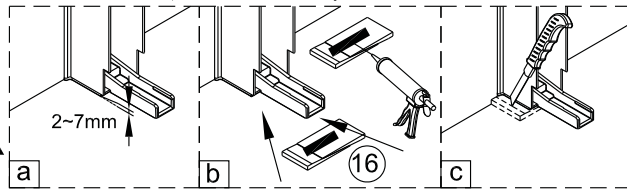
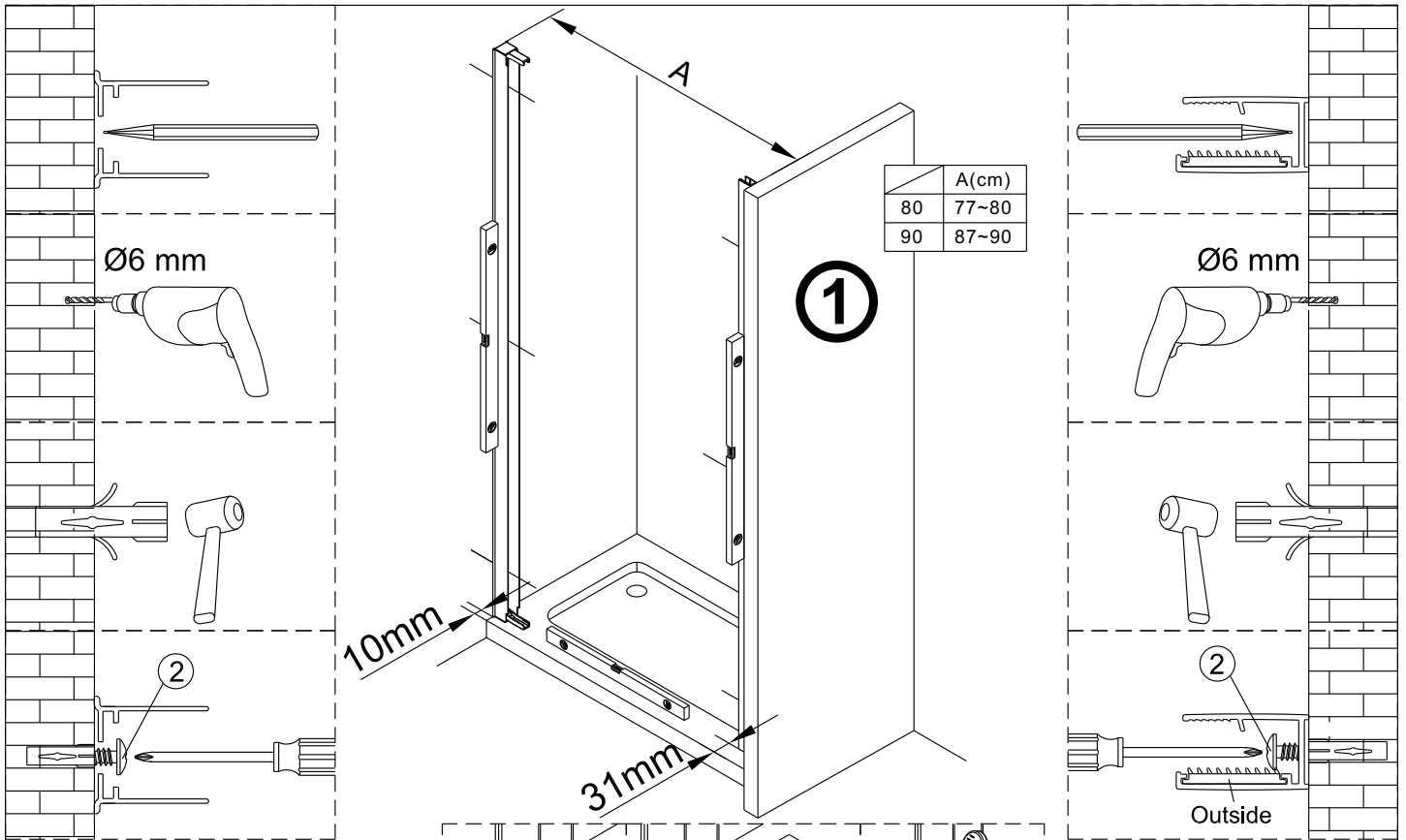
No collision to the four corners in case of crazing.



1 1X 	2 3X ST4X40 	3 3X 	4 1X 	5 1X 	6 1X L=1914 
7 1X 	8 1X 	9 1X 	10 1X 	11 1X 	12 1X 
13 1X 	14 1X 	15 1X 3mm 	16 4X 		

2 3X ST4X40 	3 3X 	17 1X 
18 1X 	19 1X 	20 1X 
21 1X 	22 1X 	23 1X 



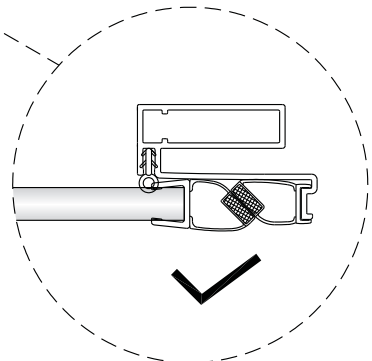
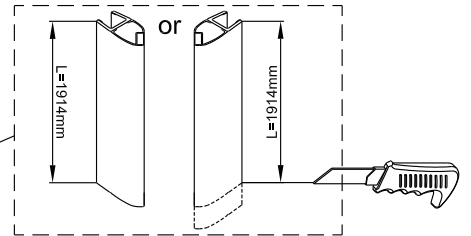
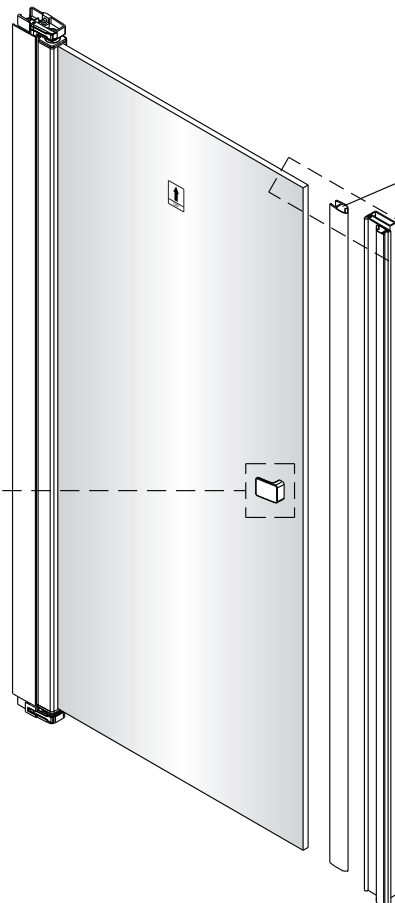
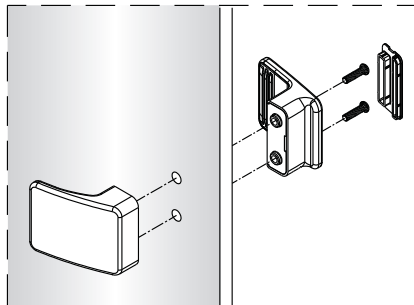


The setting wedge (No. 16) will be needed if the profile is not level in 2-7mm.

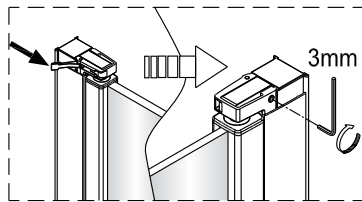
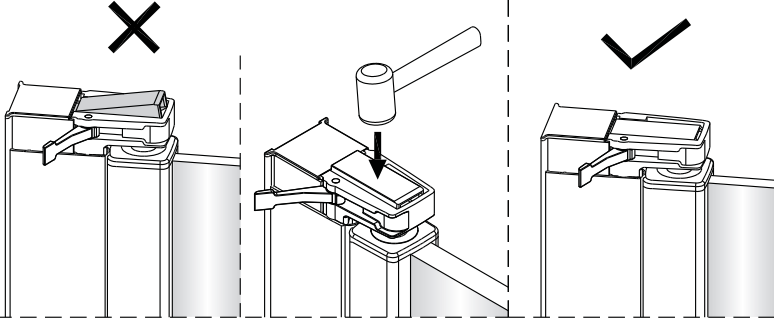
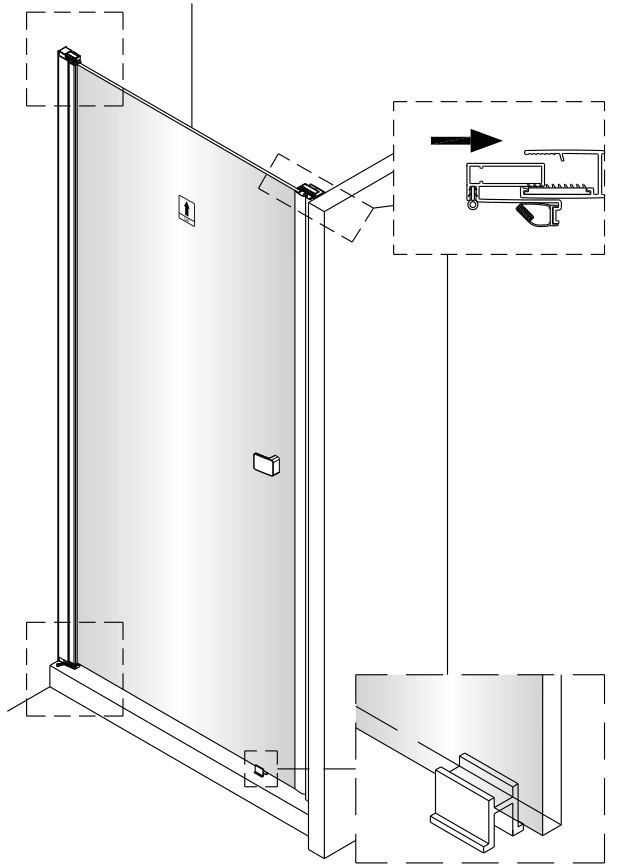
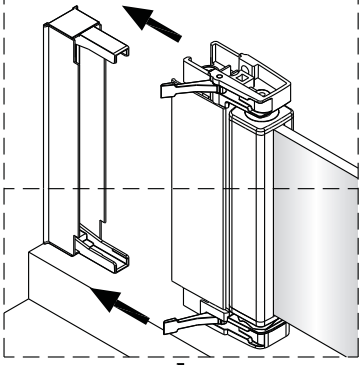
Put silicone on the two wedges and place them under the profile to level the profile.

Cut the redundant part along the rim of profile.

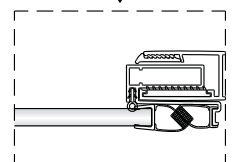
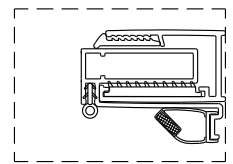
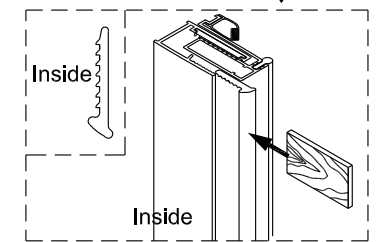
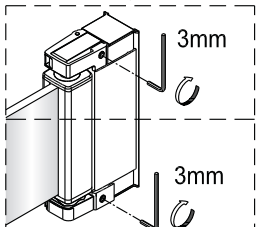
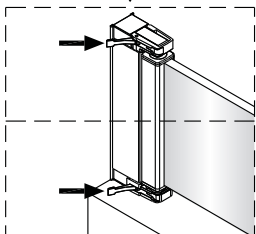
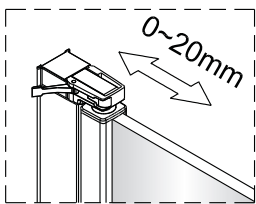
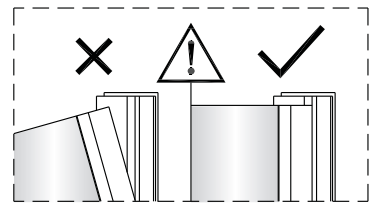
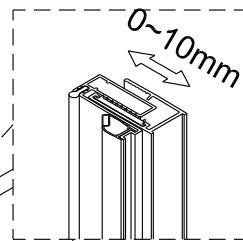
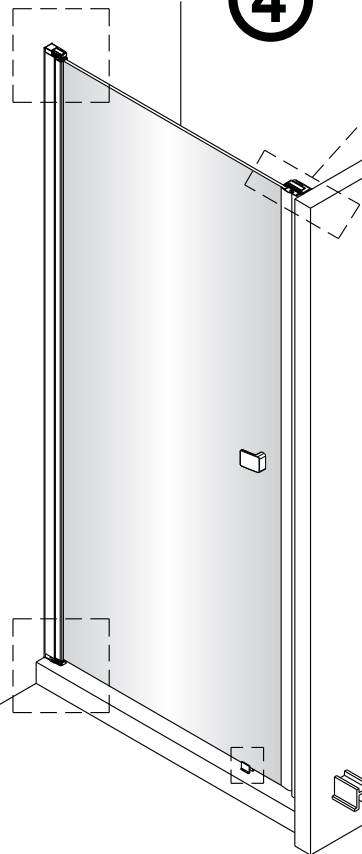
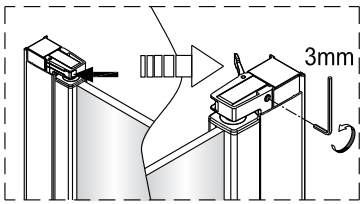
2



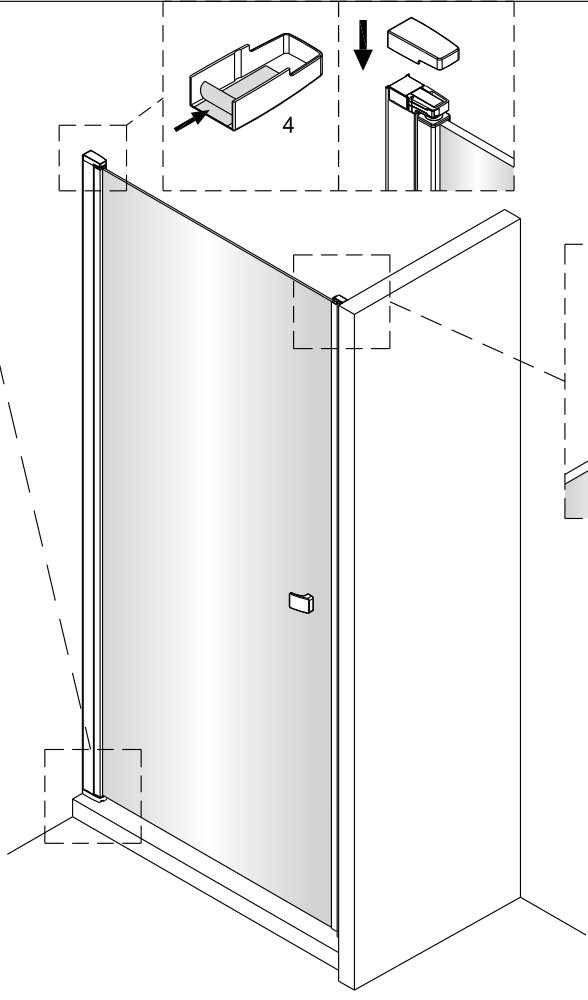
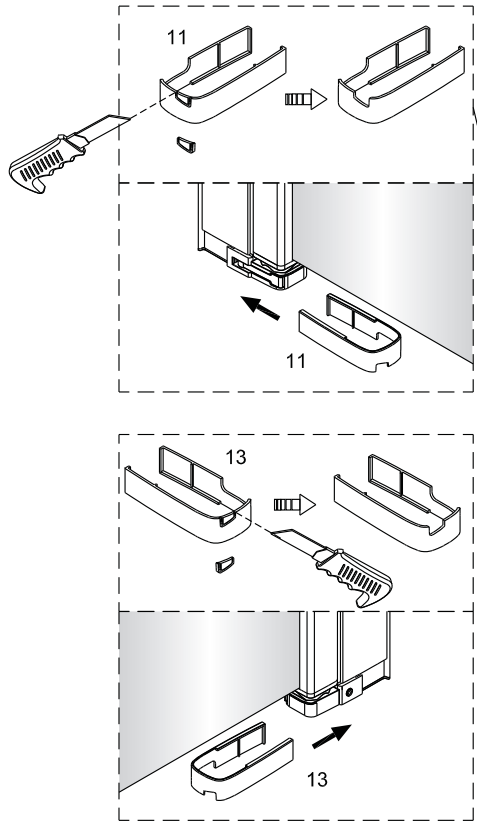
3



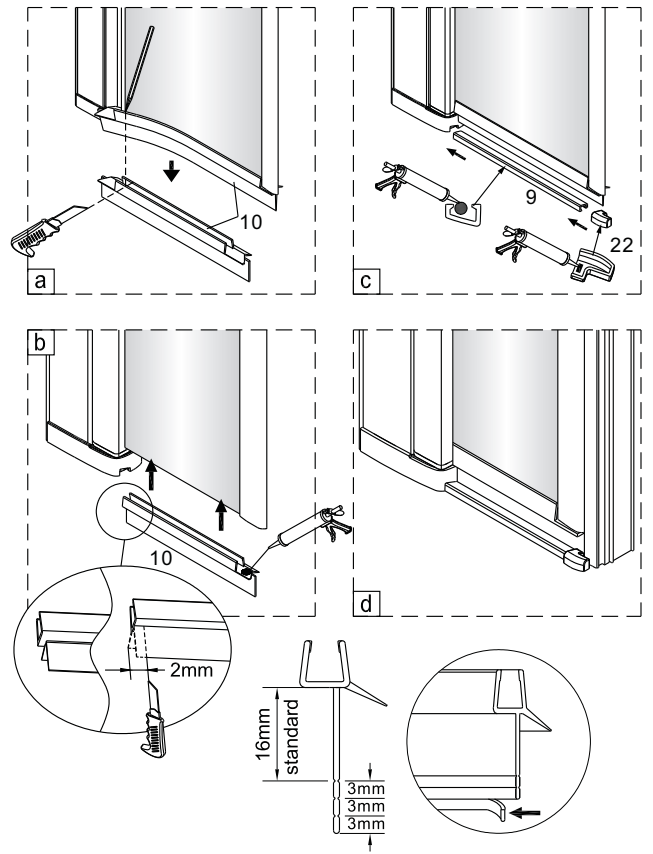
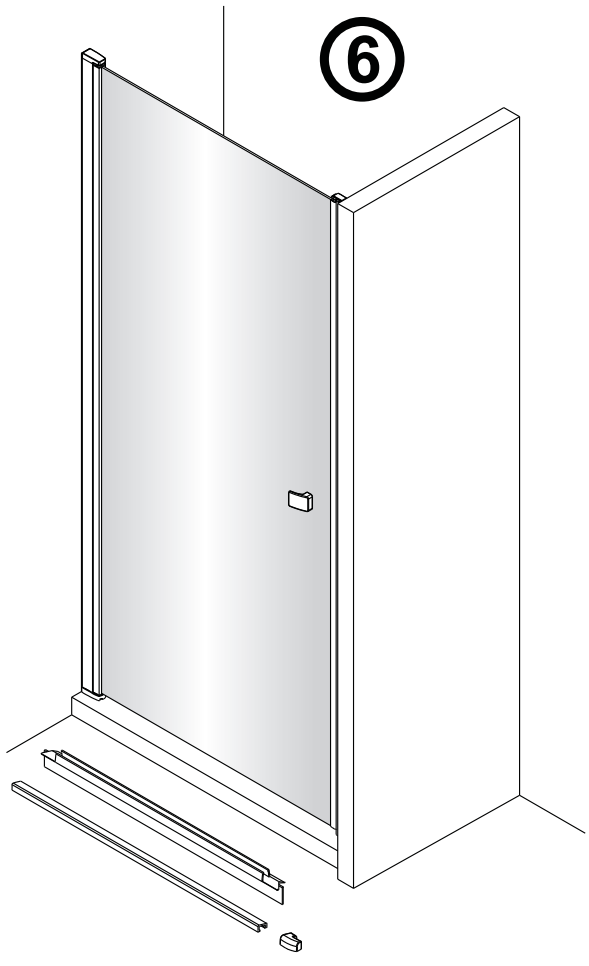
4



5



6



Adjustable curtain could be torn apart as real demand.

7

