



IMAGE NOT
AVAILABLE

SPECIFICATIONS

Wall-mounted single control external part long spout

Chrome

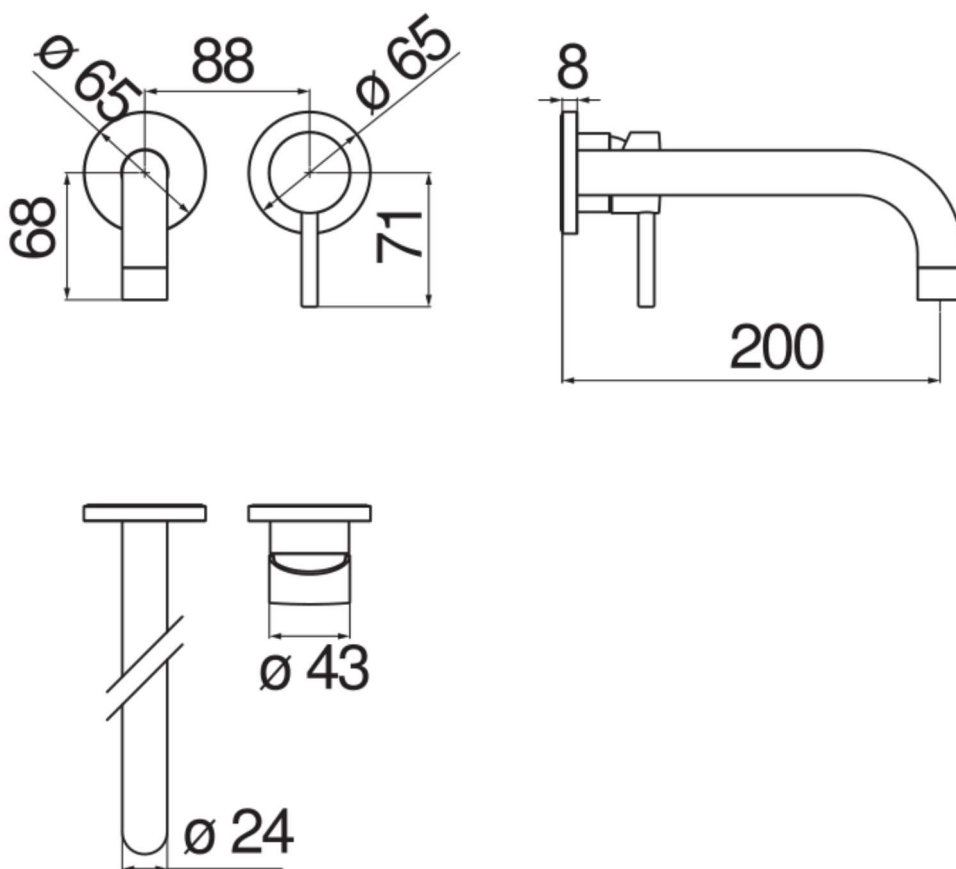
Anti limescale aerator M 22 x 1

Length of spout 200 mm

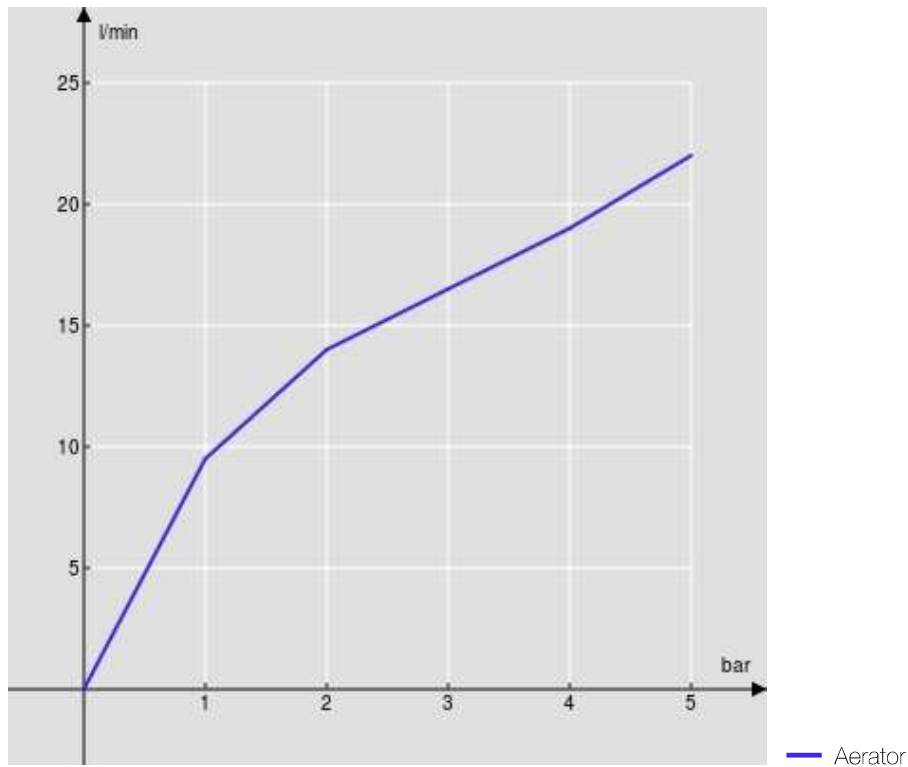
Without waste

50% two step cartridge for water saving

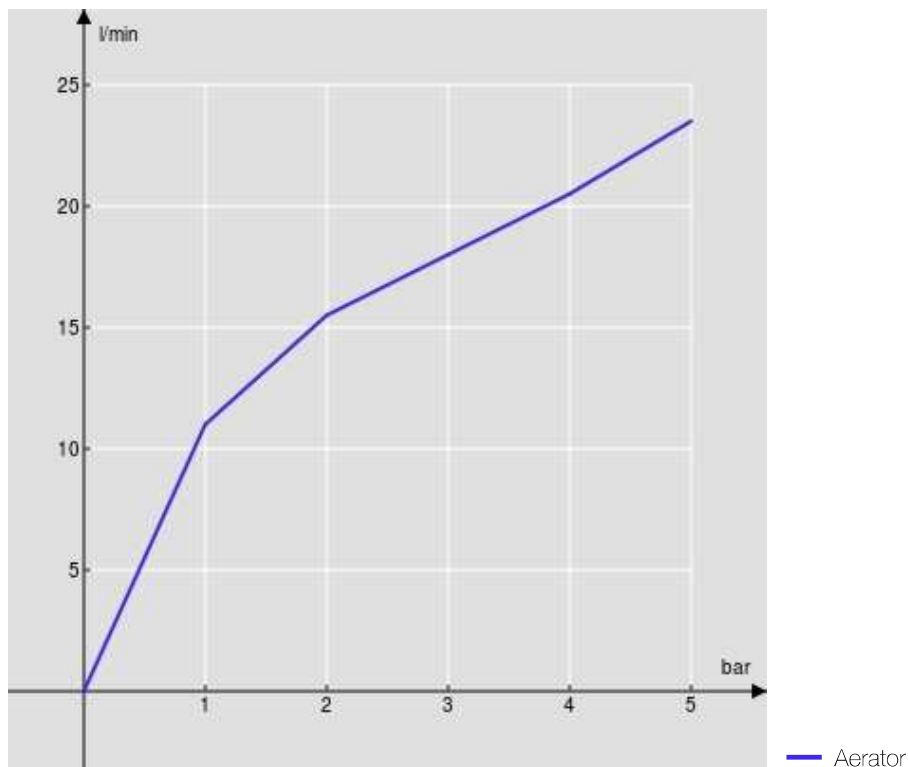
Packaging: 41 x 21 x 7 cm / 0,00603 m³ / 1,87 kg

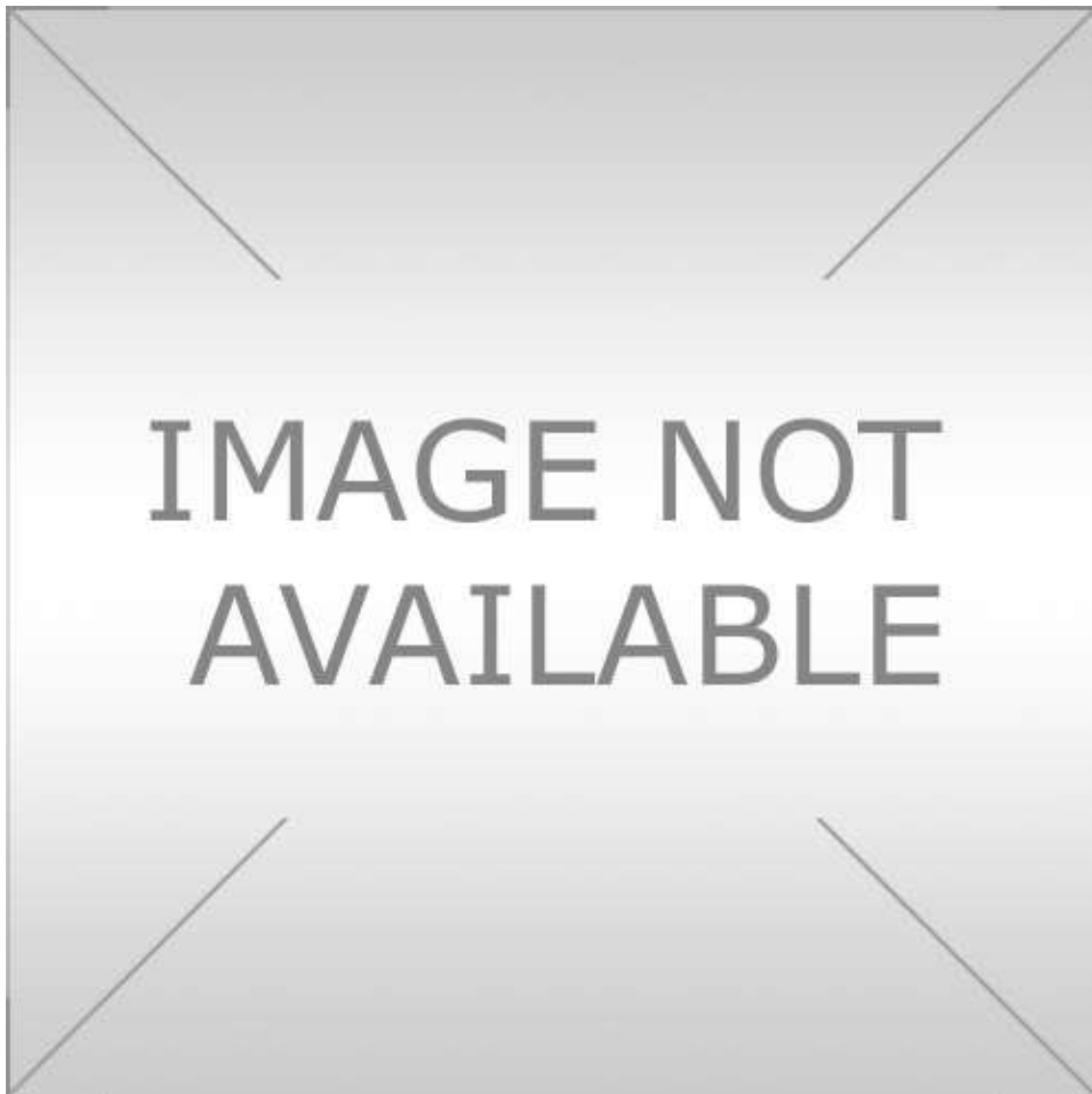


FLOW RATE DIAGRAM: HOT/COLD WATER



FLOW RATE DIAGRAM: MIXED WATER





SPECIFICATIONS

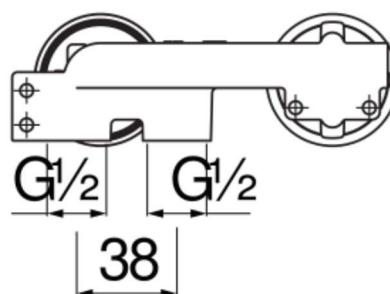
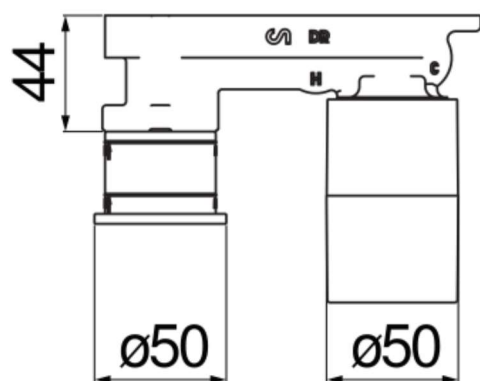
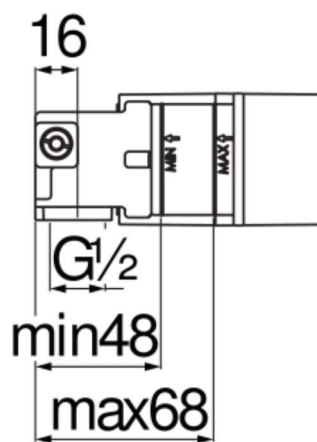
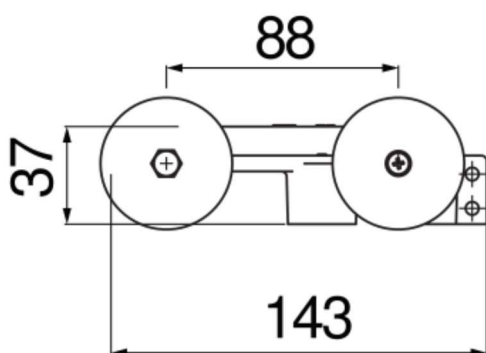
Required flush-fit part

-

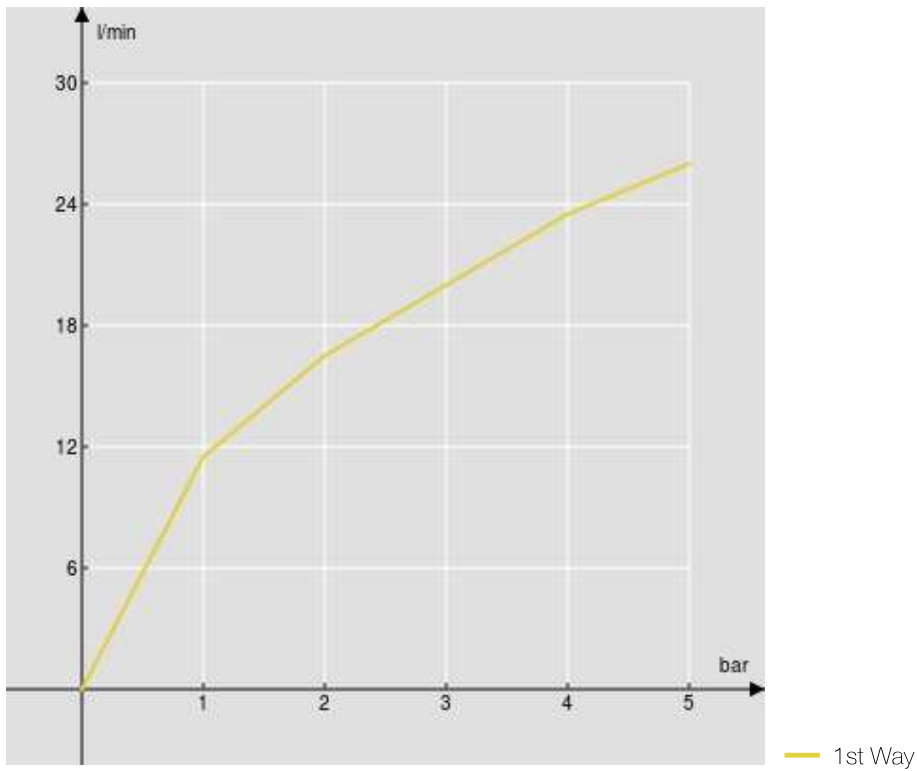
ø 1/2" hot and cold water inlet

1/2" outlet

Packaging: 16,5 x 12 x 5 cm / 0,00099 m³ / 0,98 kg



FLOW RATE DIAGRAM: HOT/COLD WATER



FLOW RATE DIAGRAM: MIXED WATER

