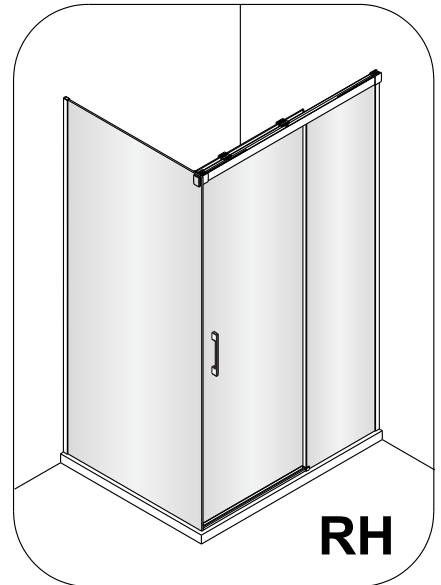
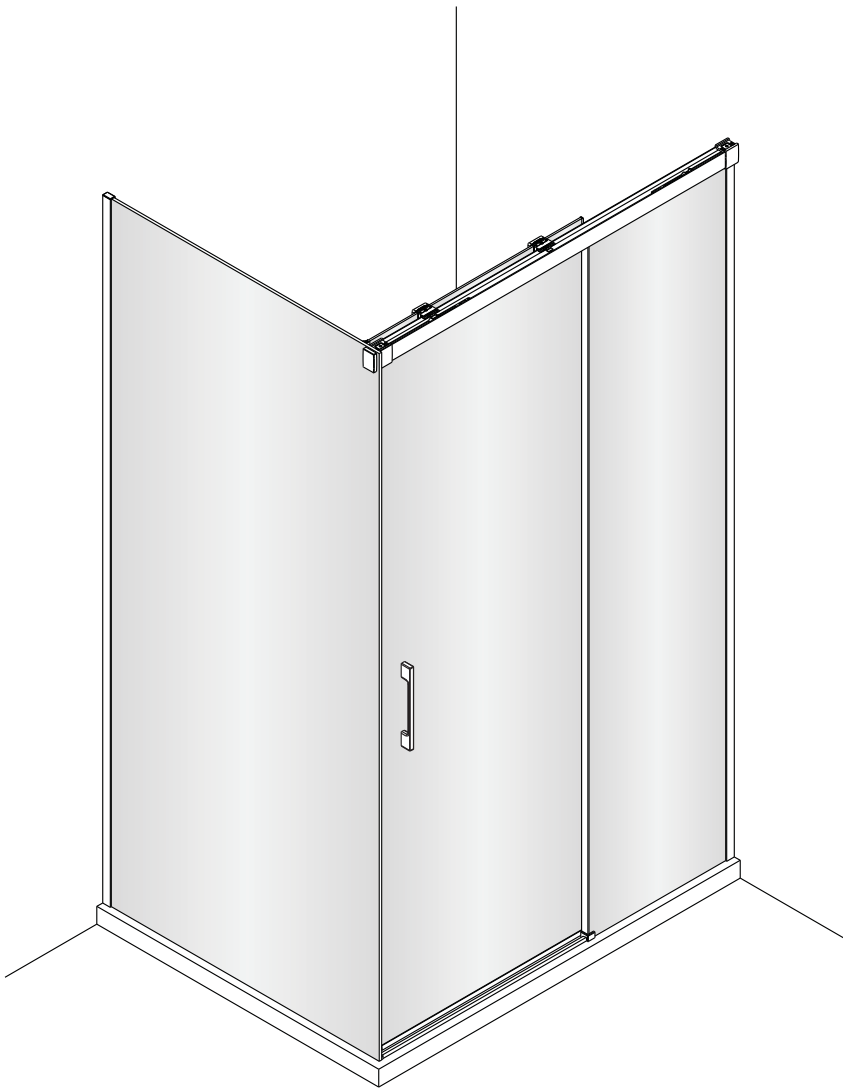
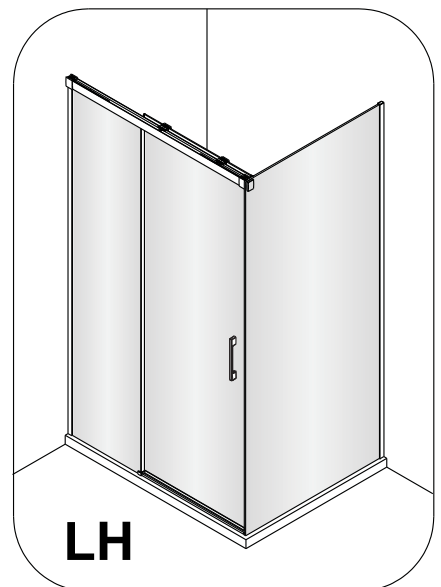


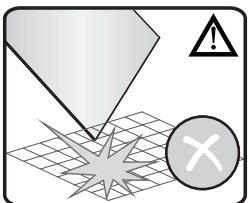
# CSP12X + CSR90X Instruction Manual



**RH**

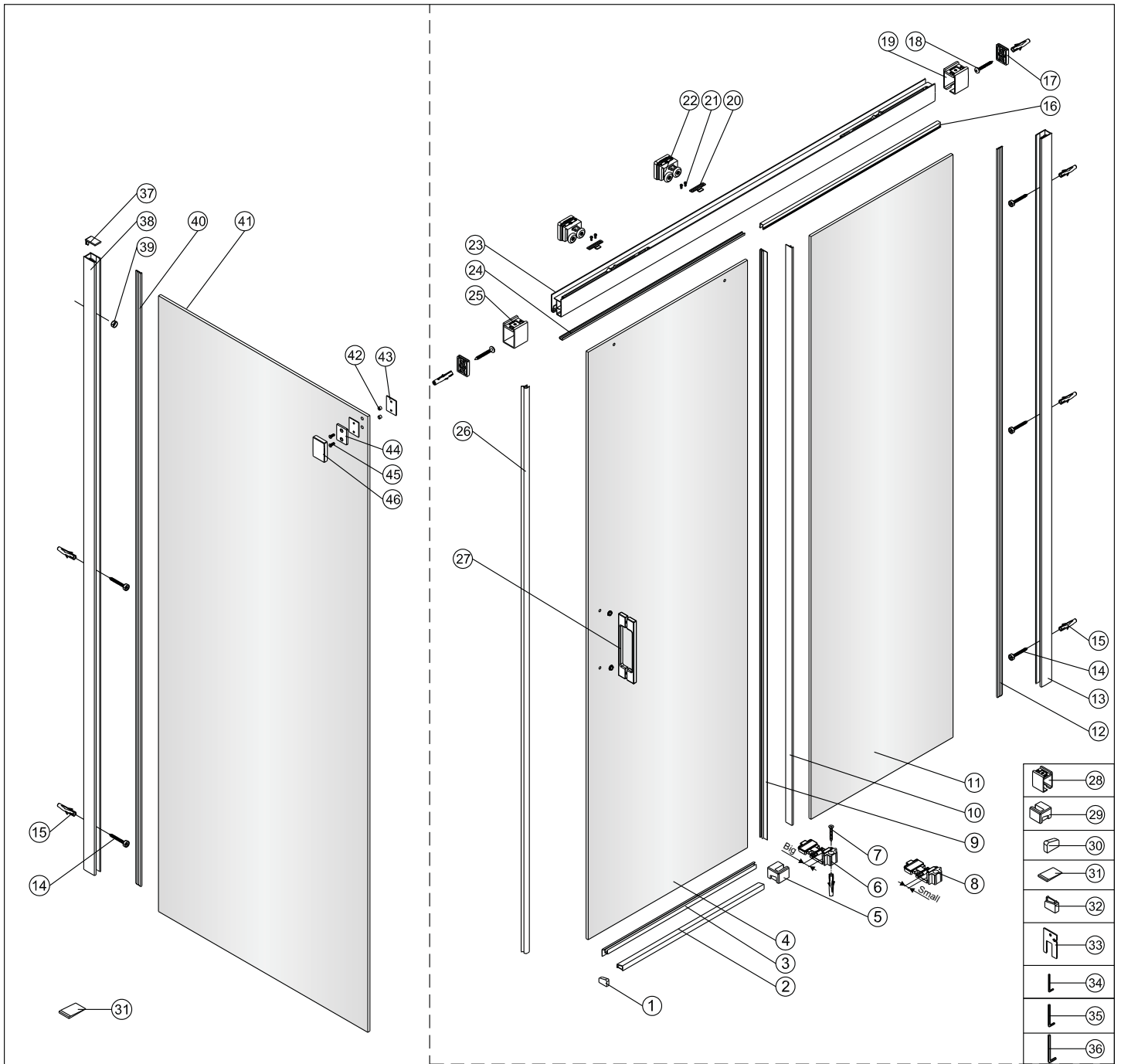





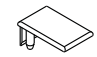
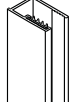

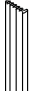



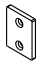

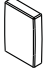
**LH**

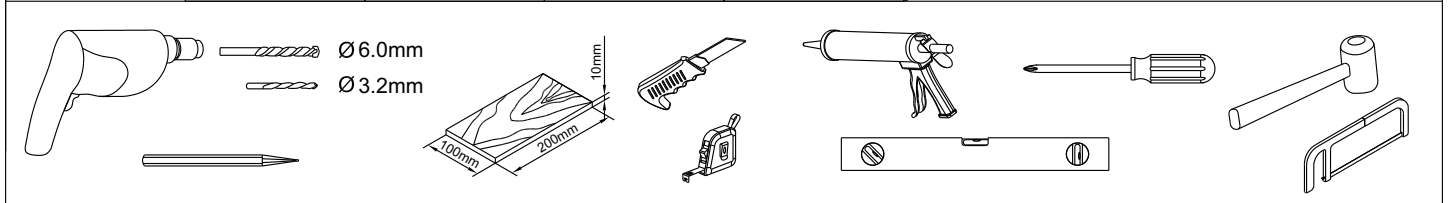


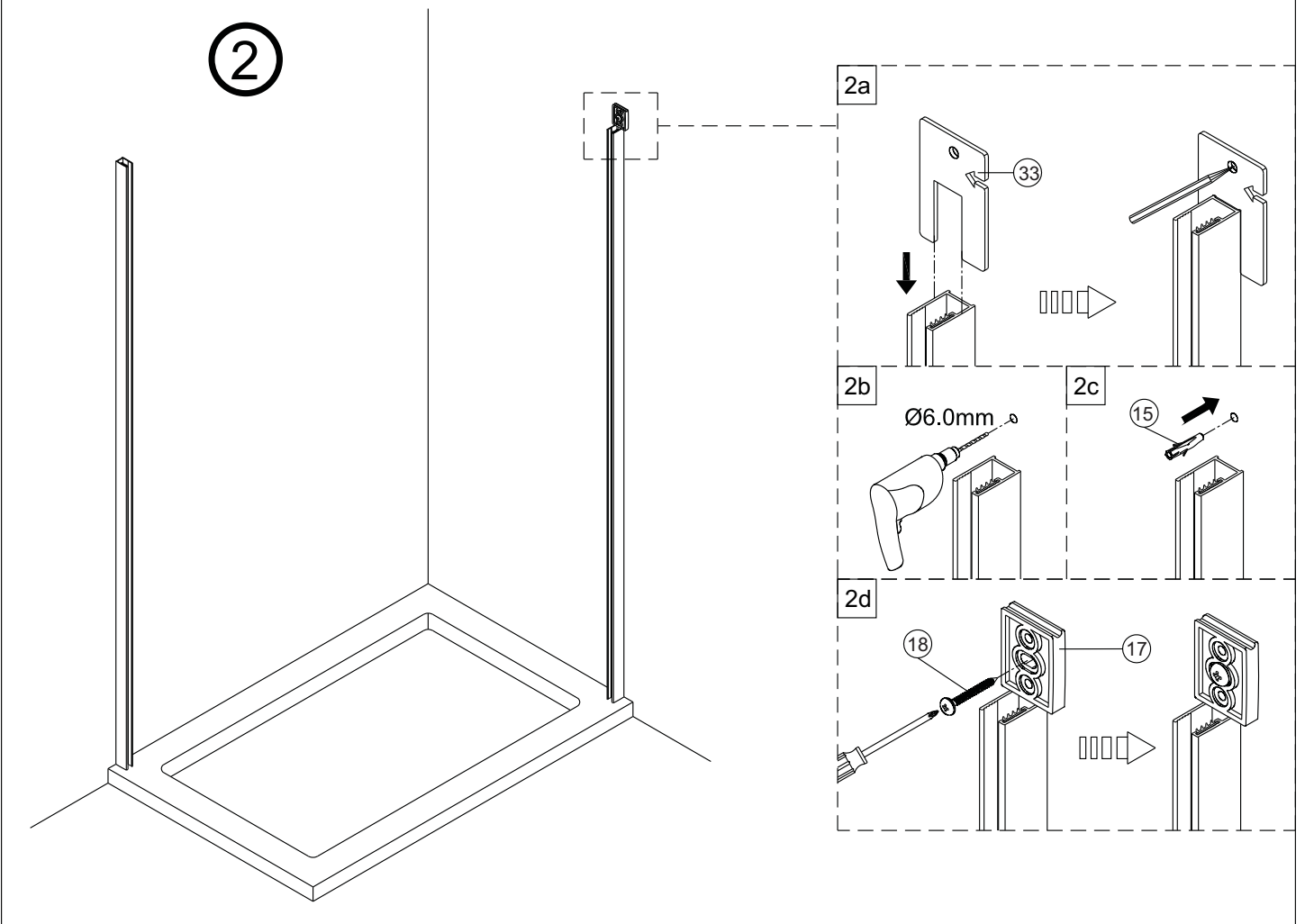
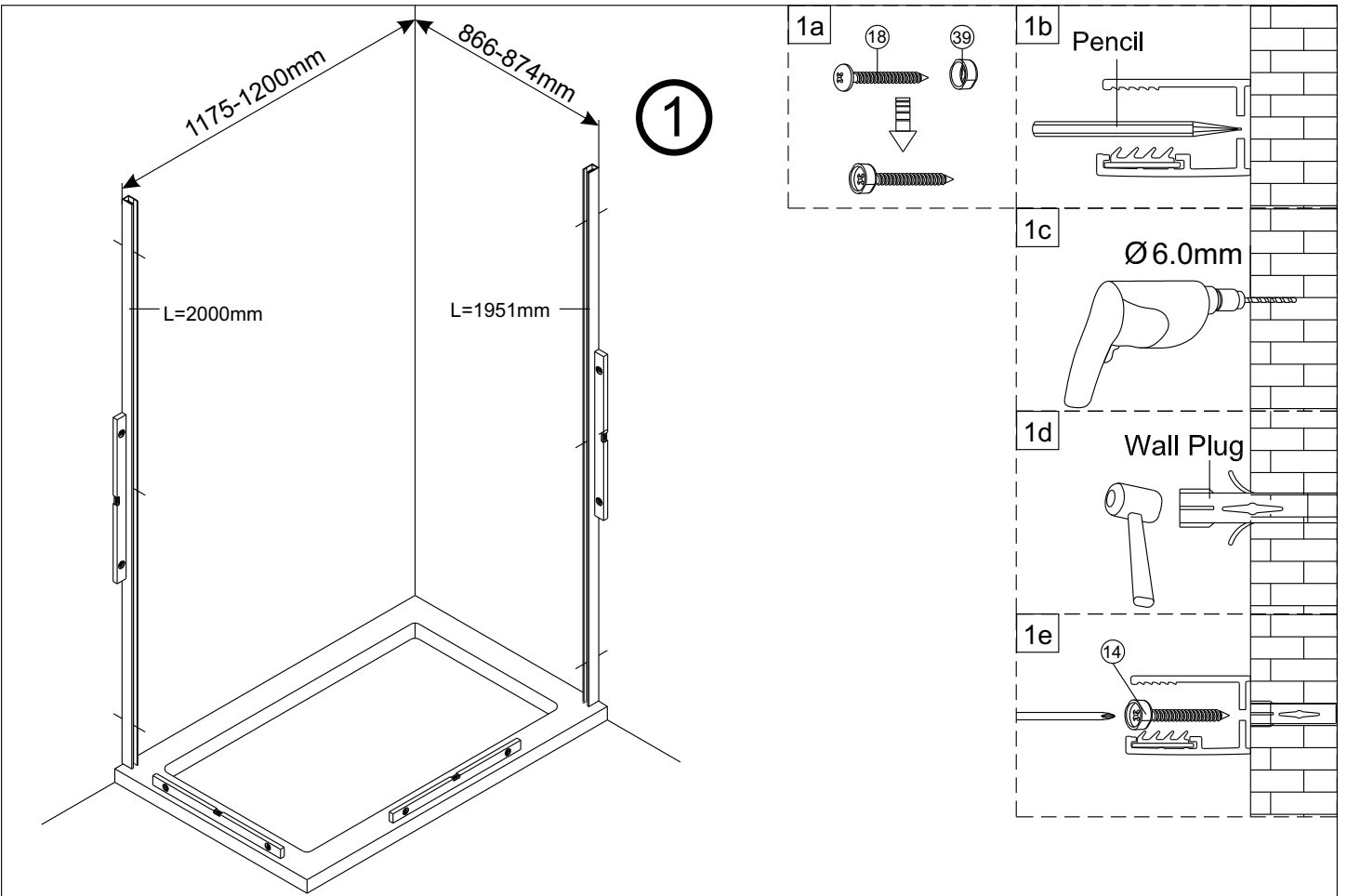
**CAUTION!** Tempered glass, handle with care!

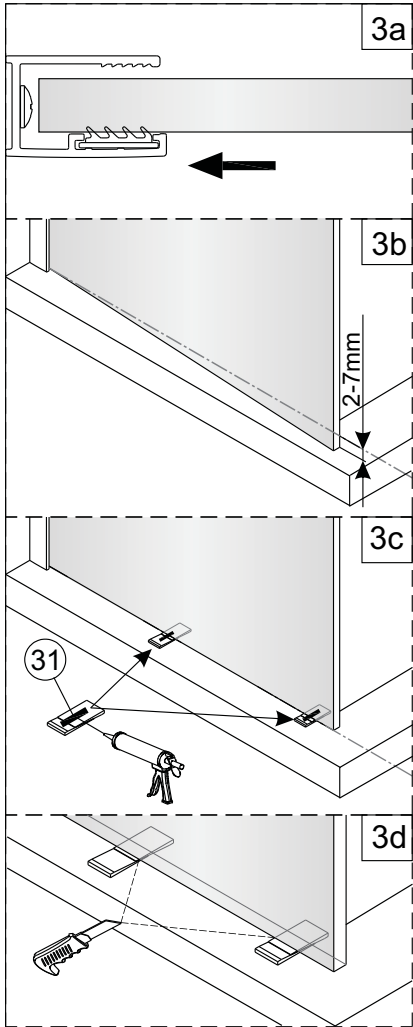
**No collision to the four corners in case of crazing.**



<b>14</b>  ST 4x40 x2	<b>15</b>  x2	<b>31</b>  x4	<b>37</b>  x1	<b>38</b> L=2000mm  x1	<b>39</b>  x1	<b>40</b> L=2000mm  x1	<b>41</b>  x1
<b>42</b>  x2	<b>43</b>  x2	<b>44</b>  x1	<b>45</b>  M 5x20 x2	<b>46</b>  x1			







3

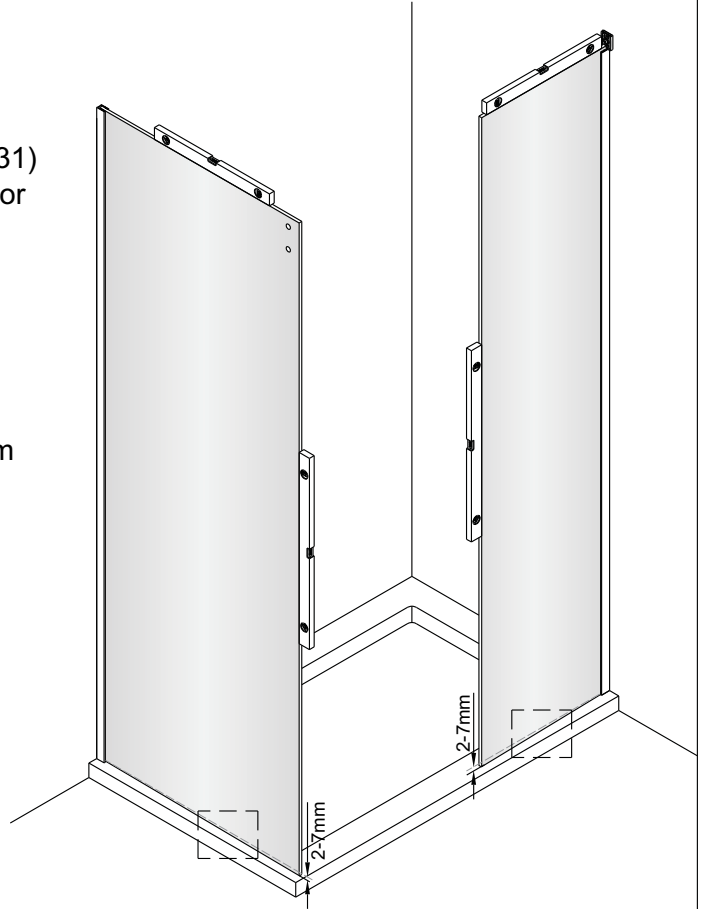


This side with easy clean treatment, please put this side to inside of shower enclosure.

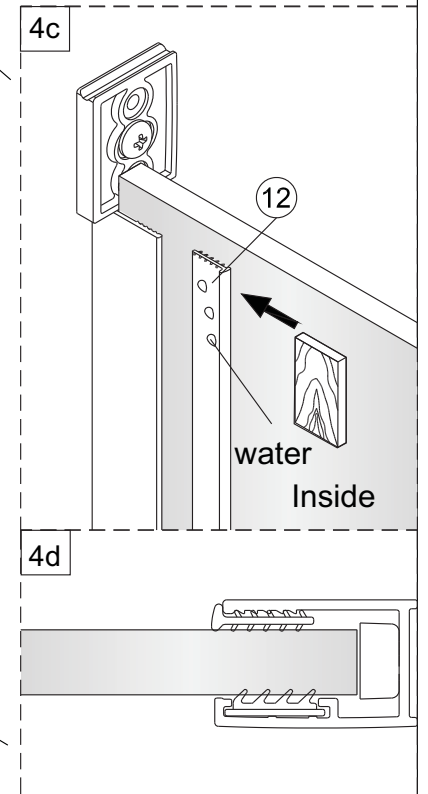
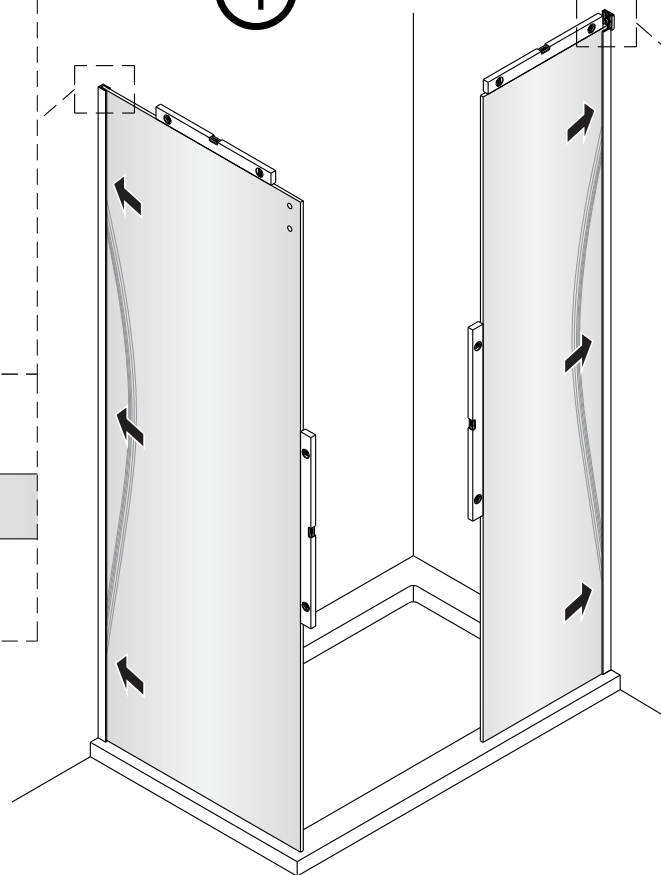
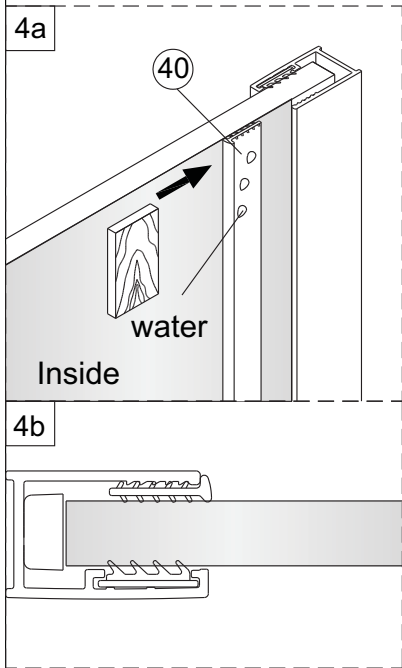
The setting wedge(No.31) will be needed if the door is not level in 2-7mm.

Put silicone on the two wedges and place them under the door to level the door.

Cut the redundant part along the rim of glass.



4



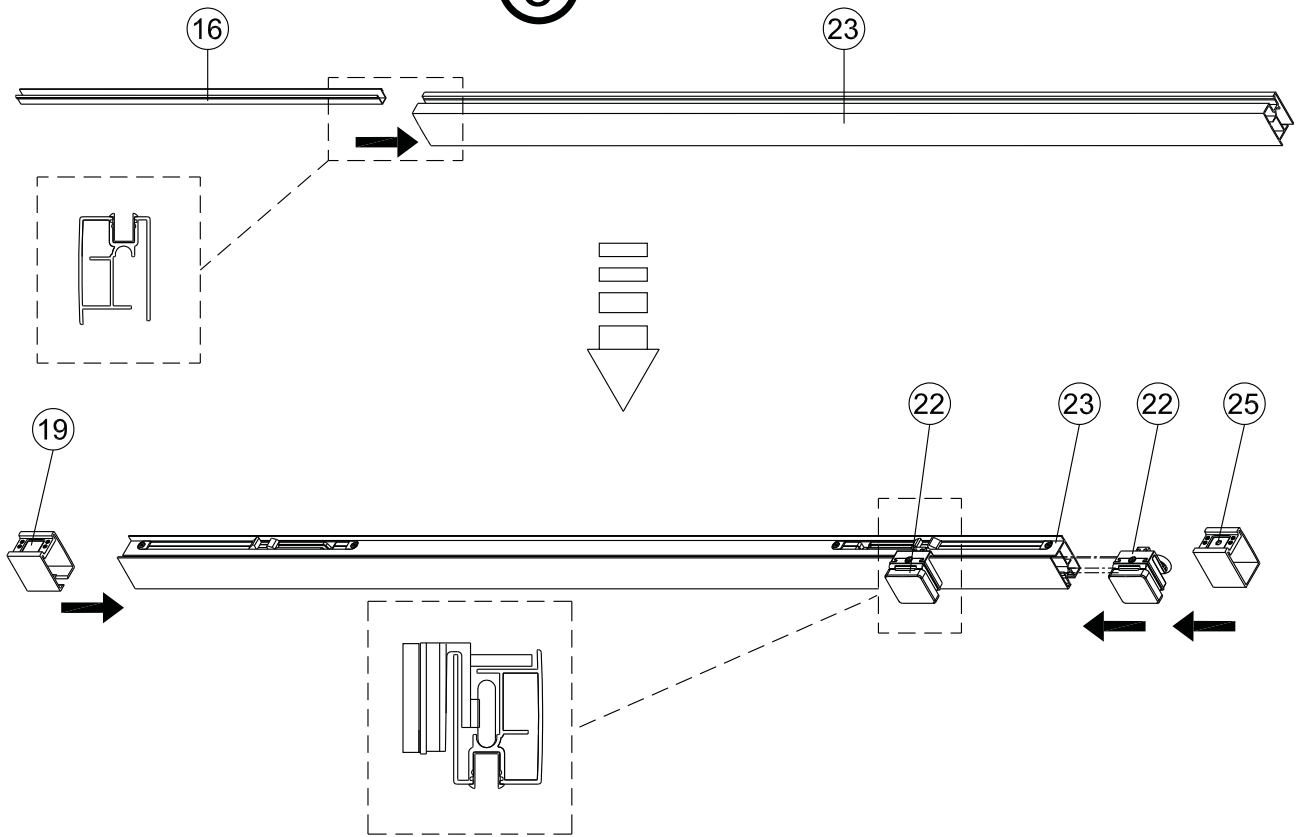
water

Inside

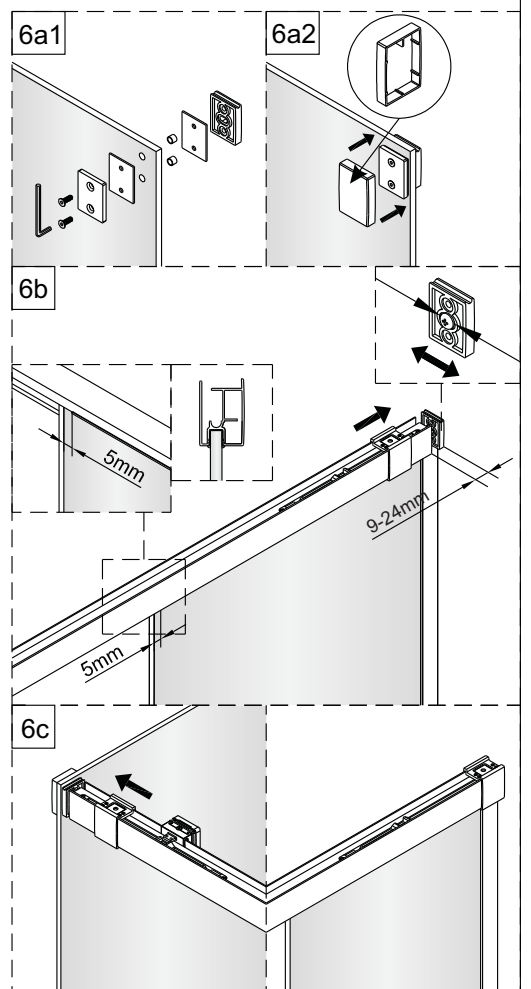
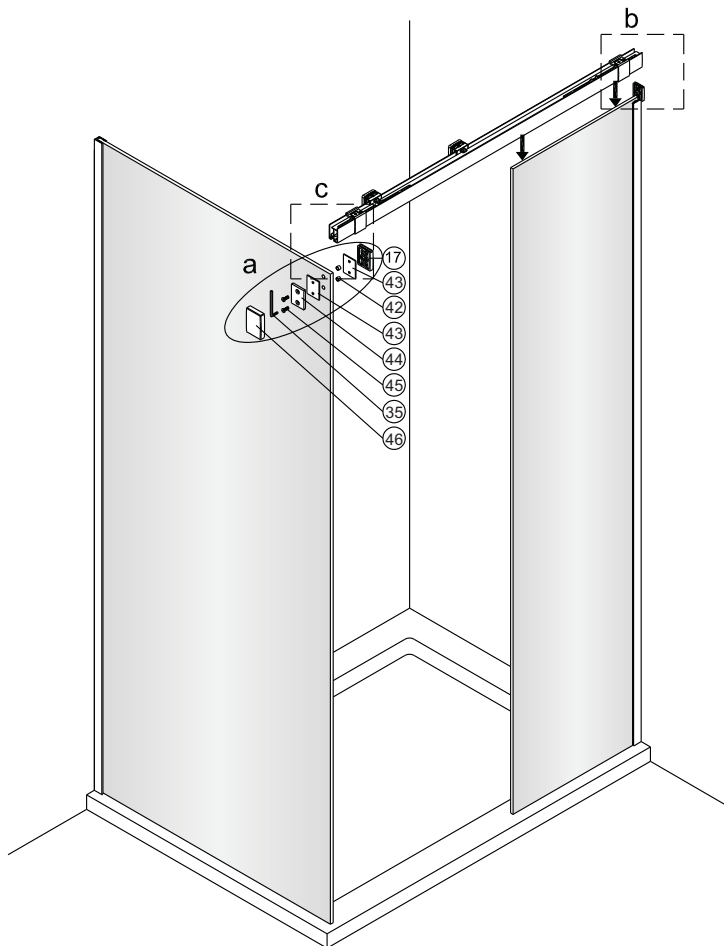
water

Inside

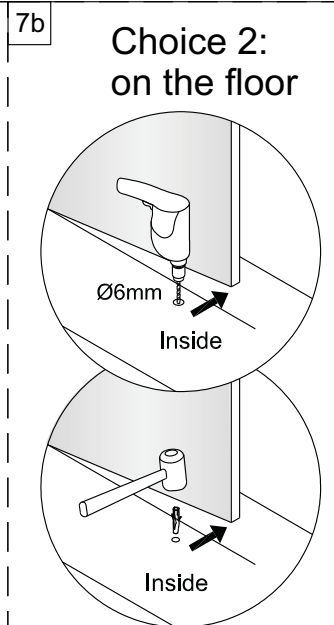
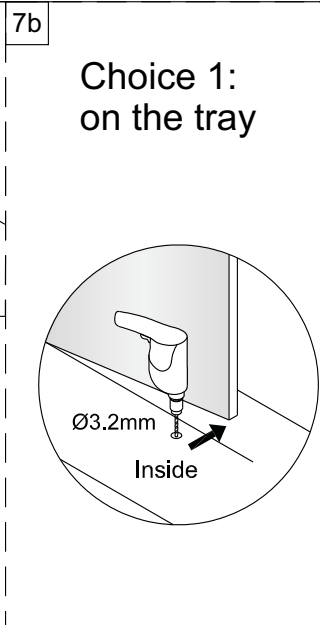
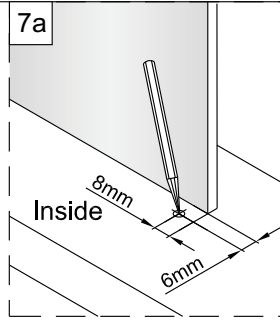
5



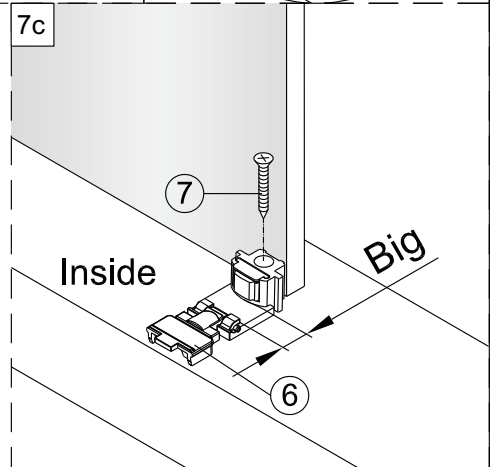
6



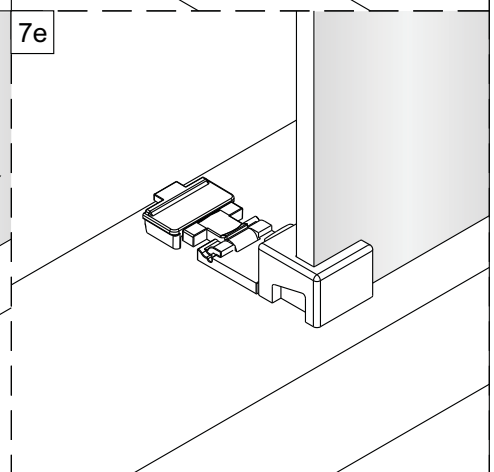
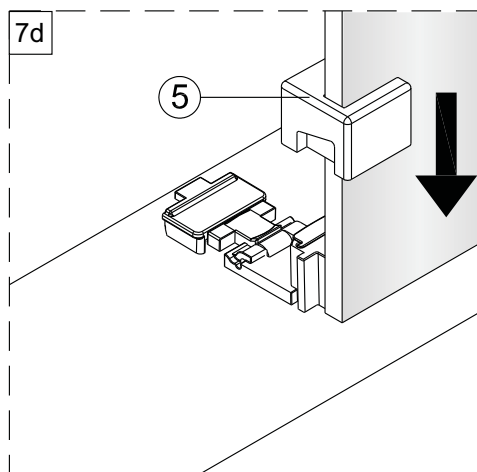
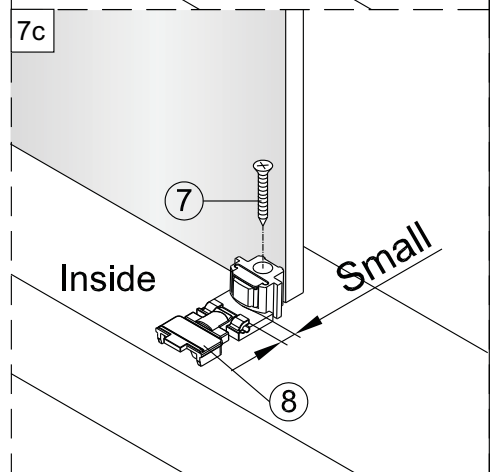
7



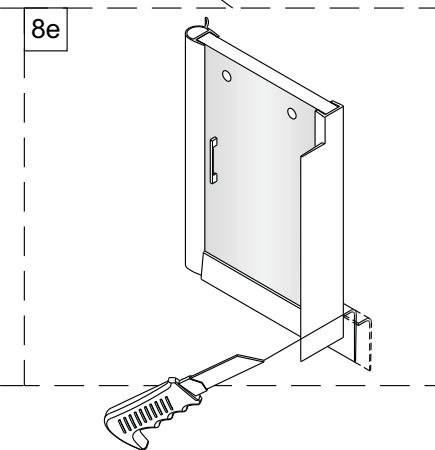
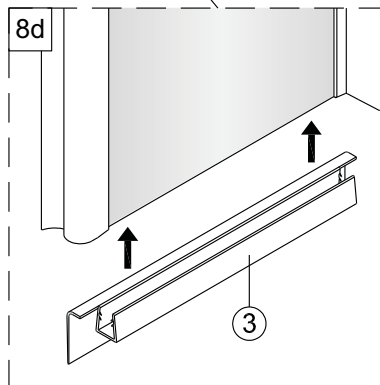
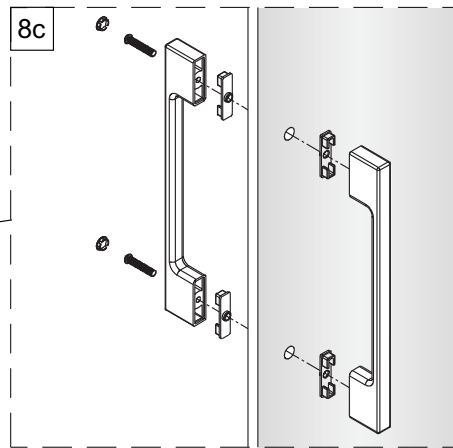
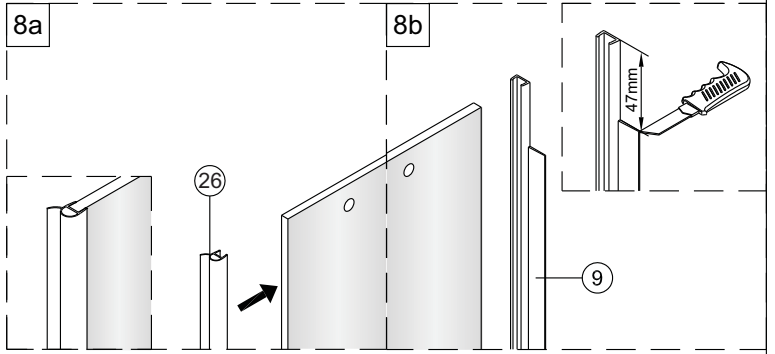
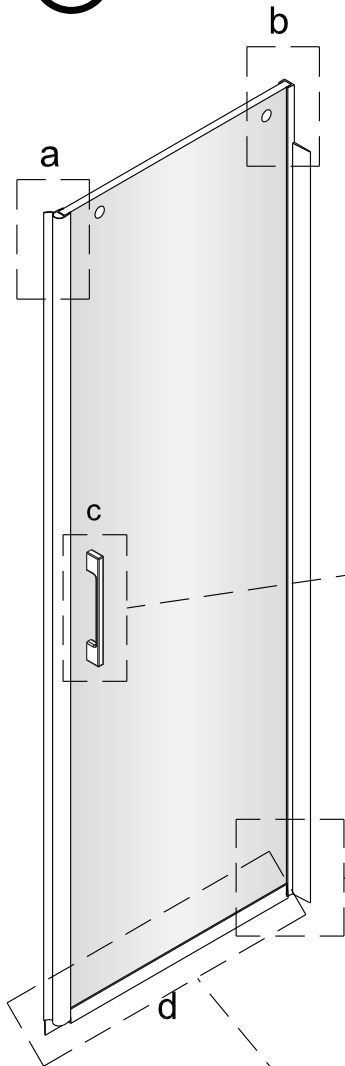
Step a: Insert the "Big" protector into the door guide when the moving glass use bottom waterproof strip.

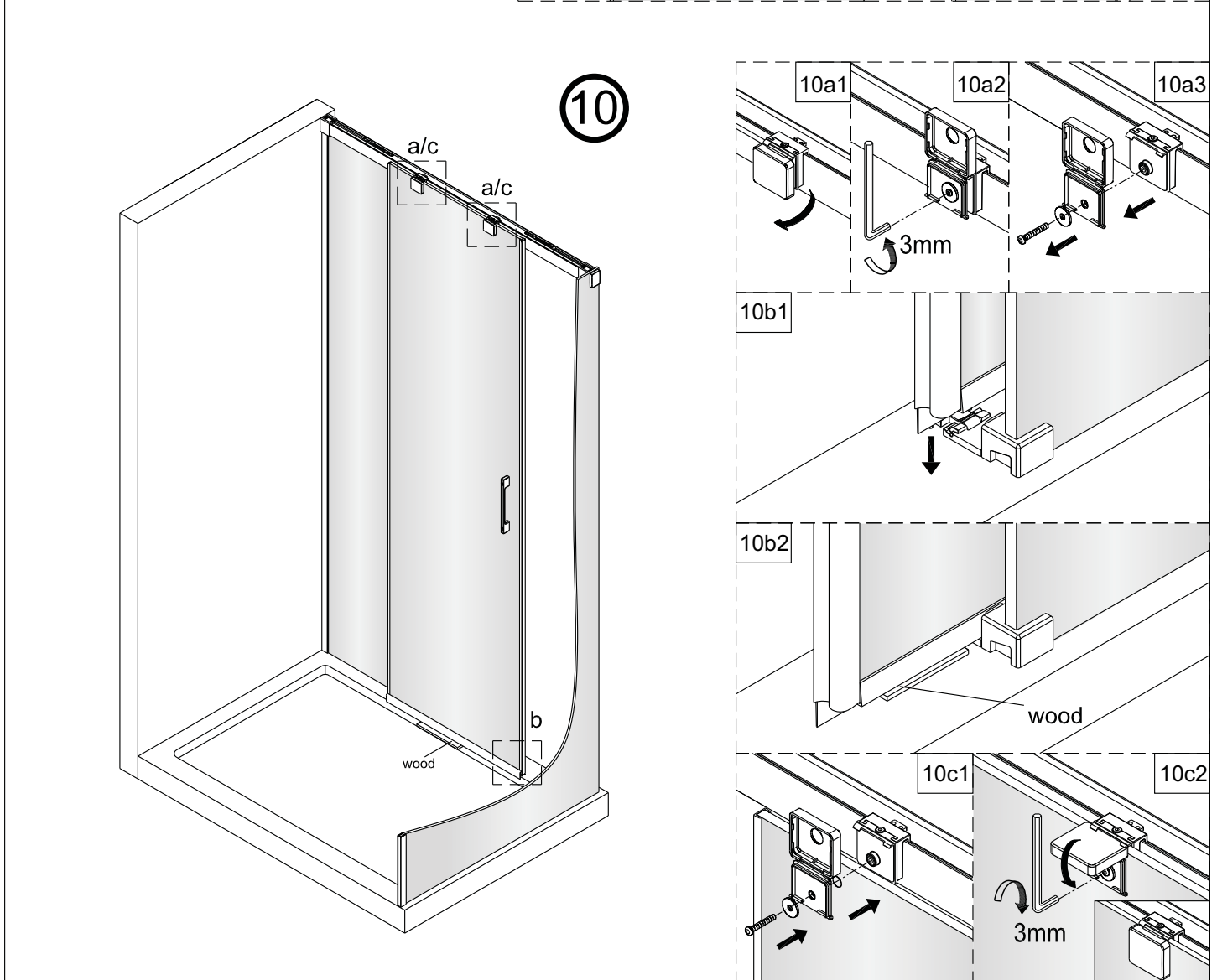
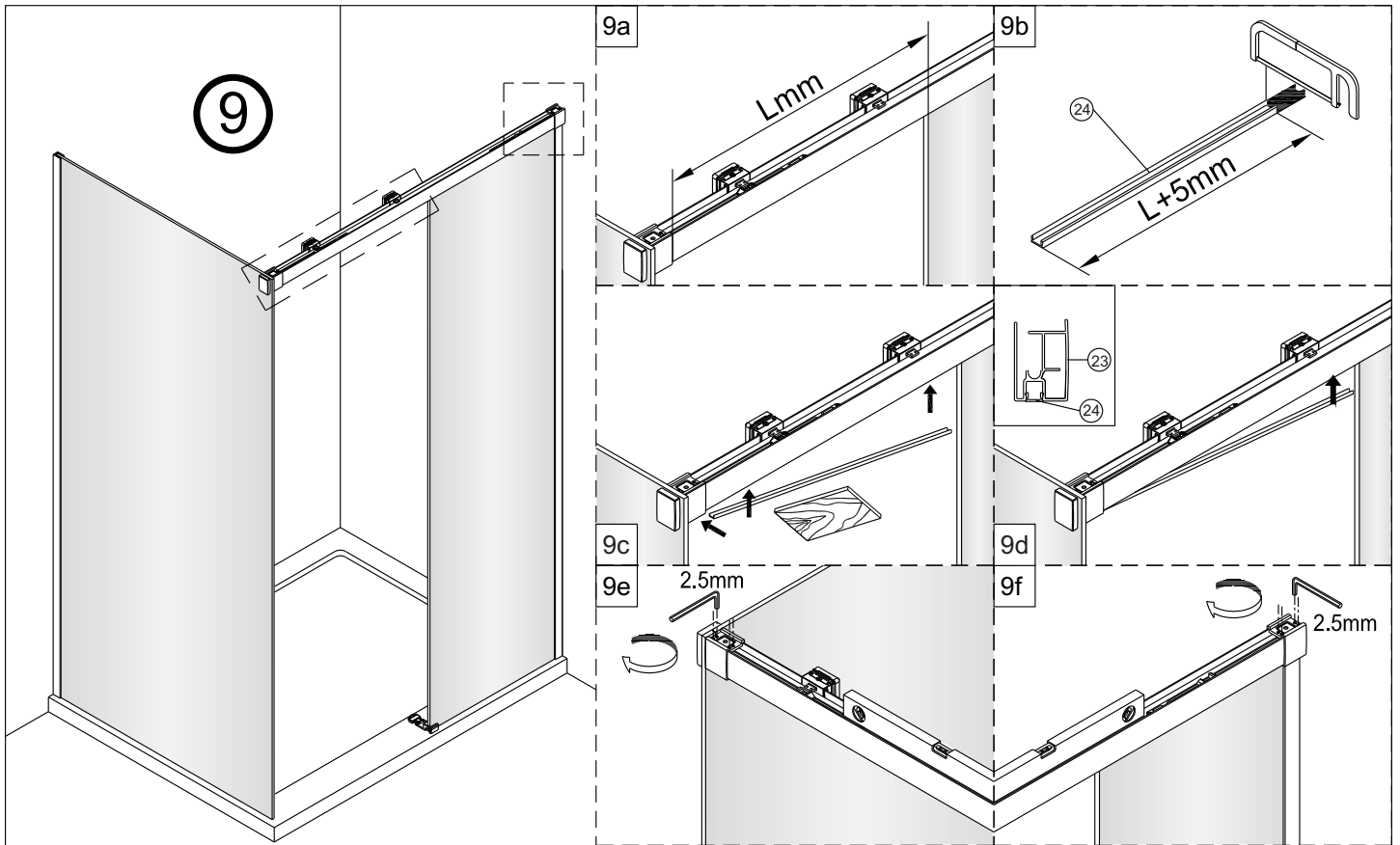


Step b: Insert the "Small" protector into the door guide when the moving glass does not use any bottom waterproof strip.

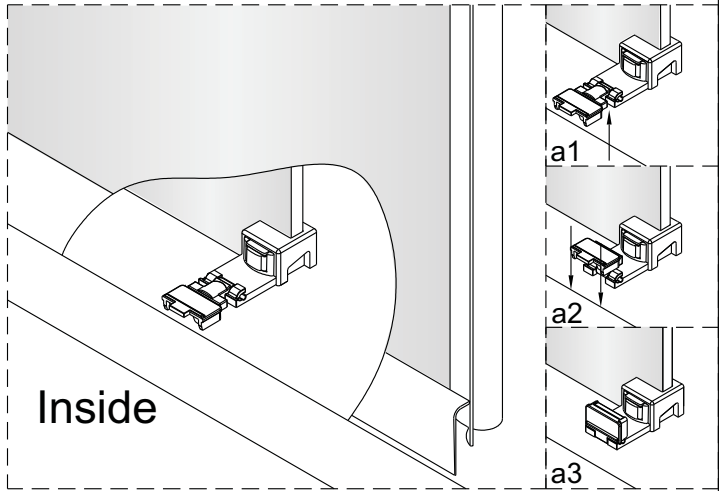
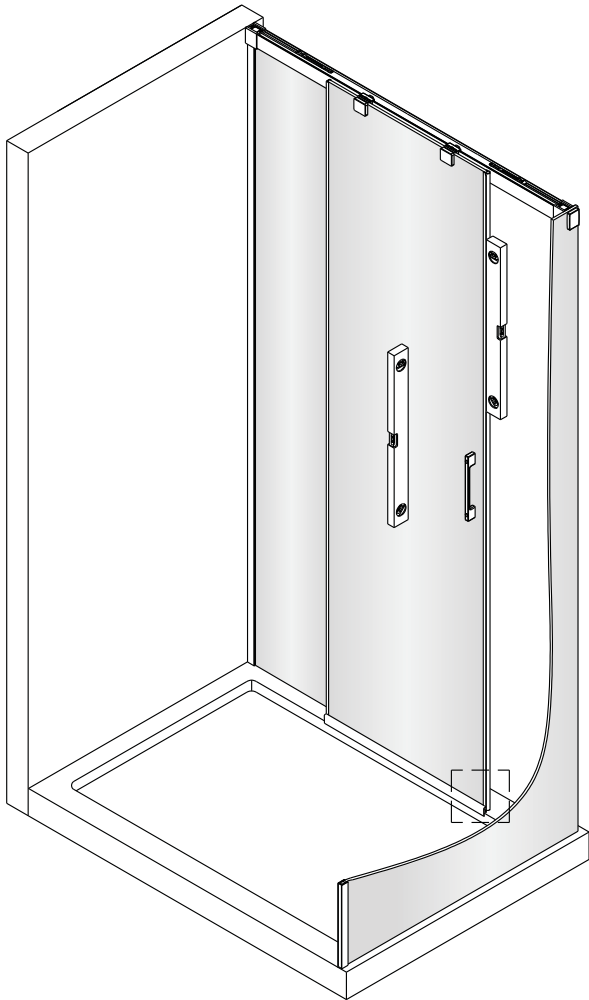


8



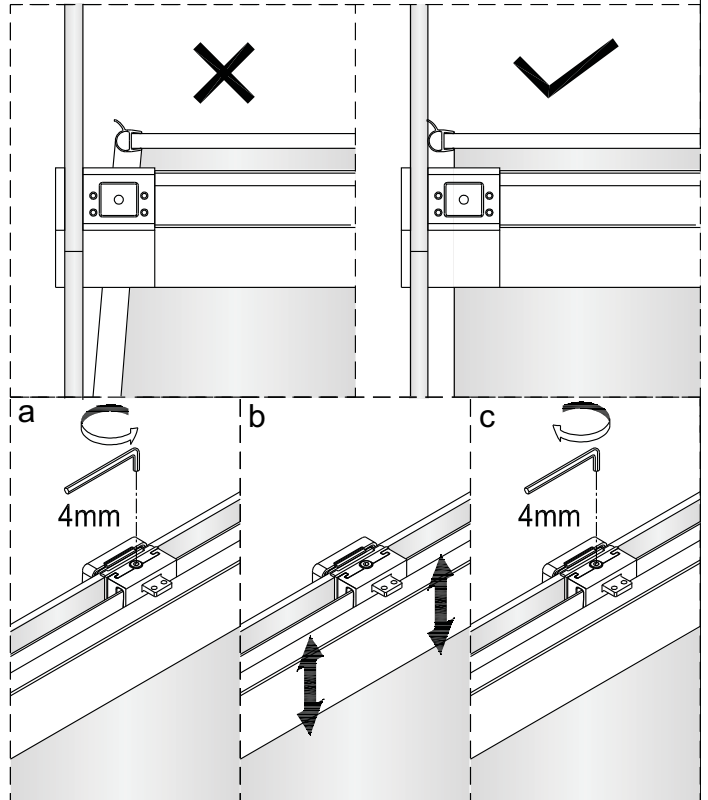
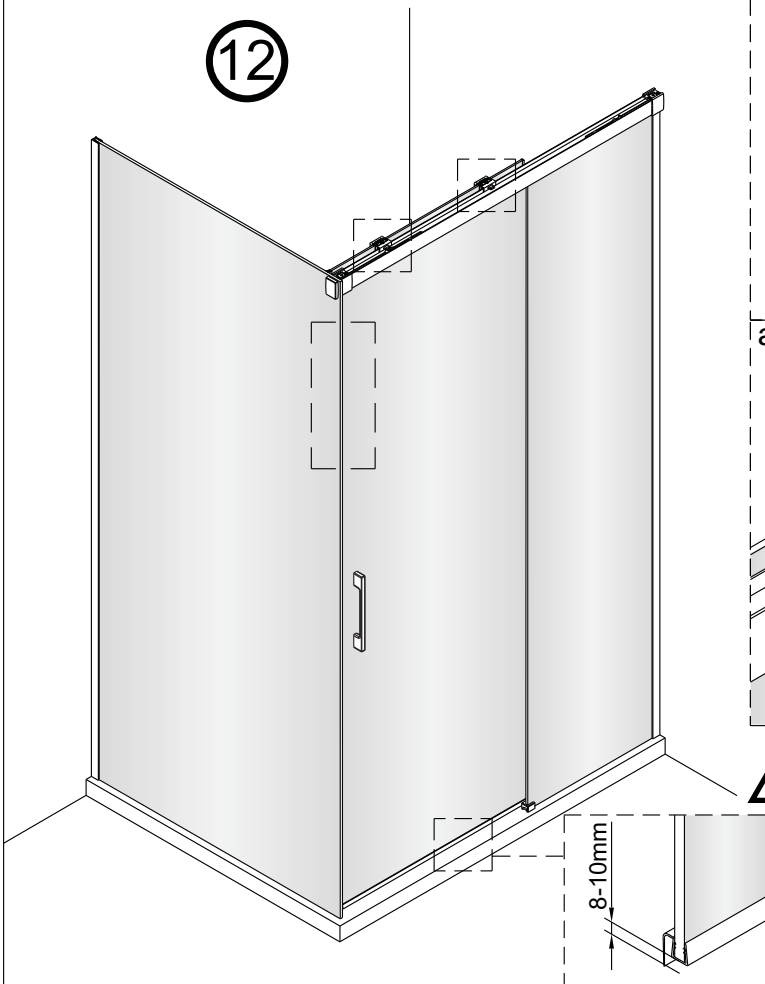


11

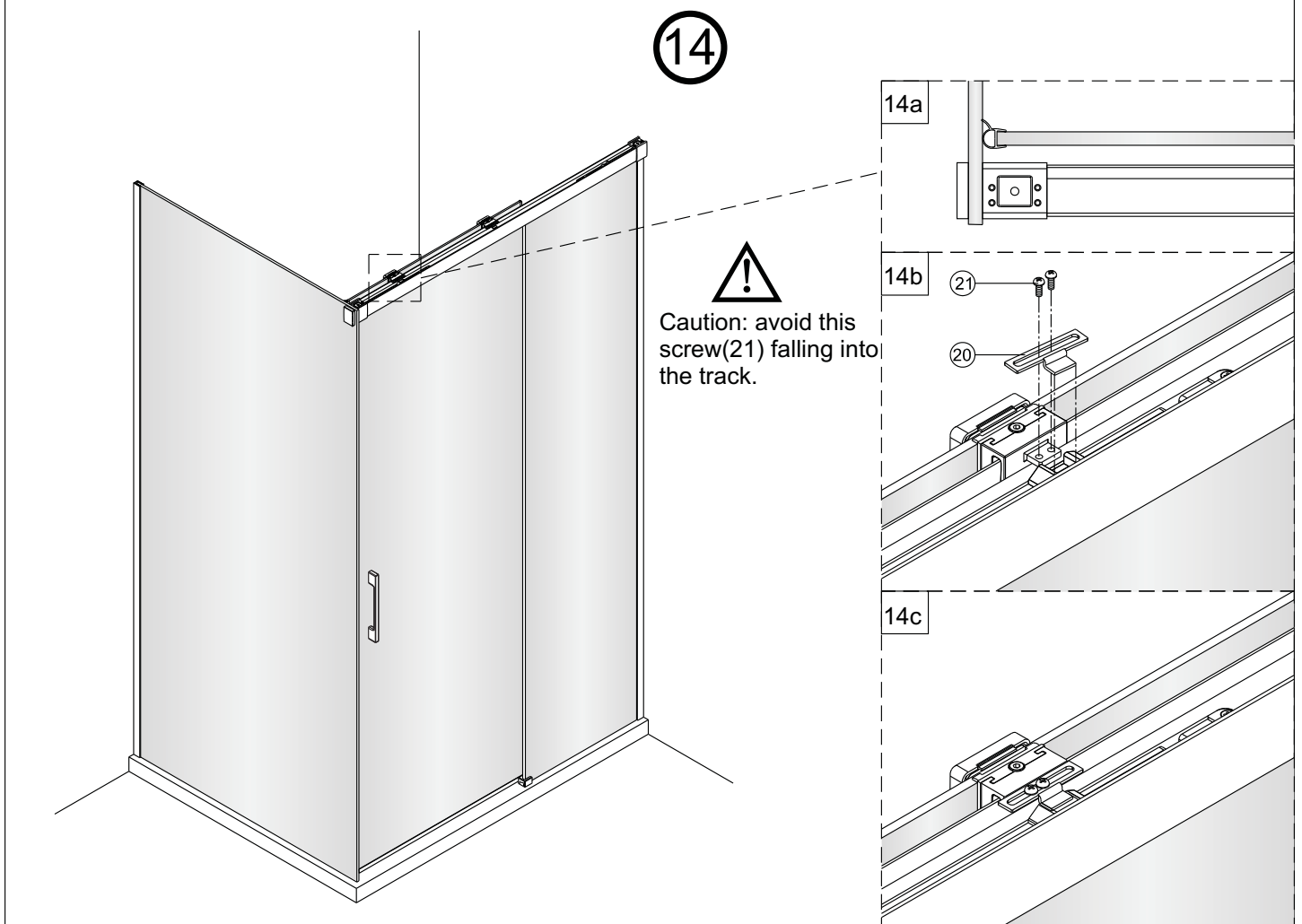
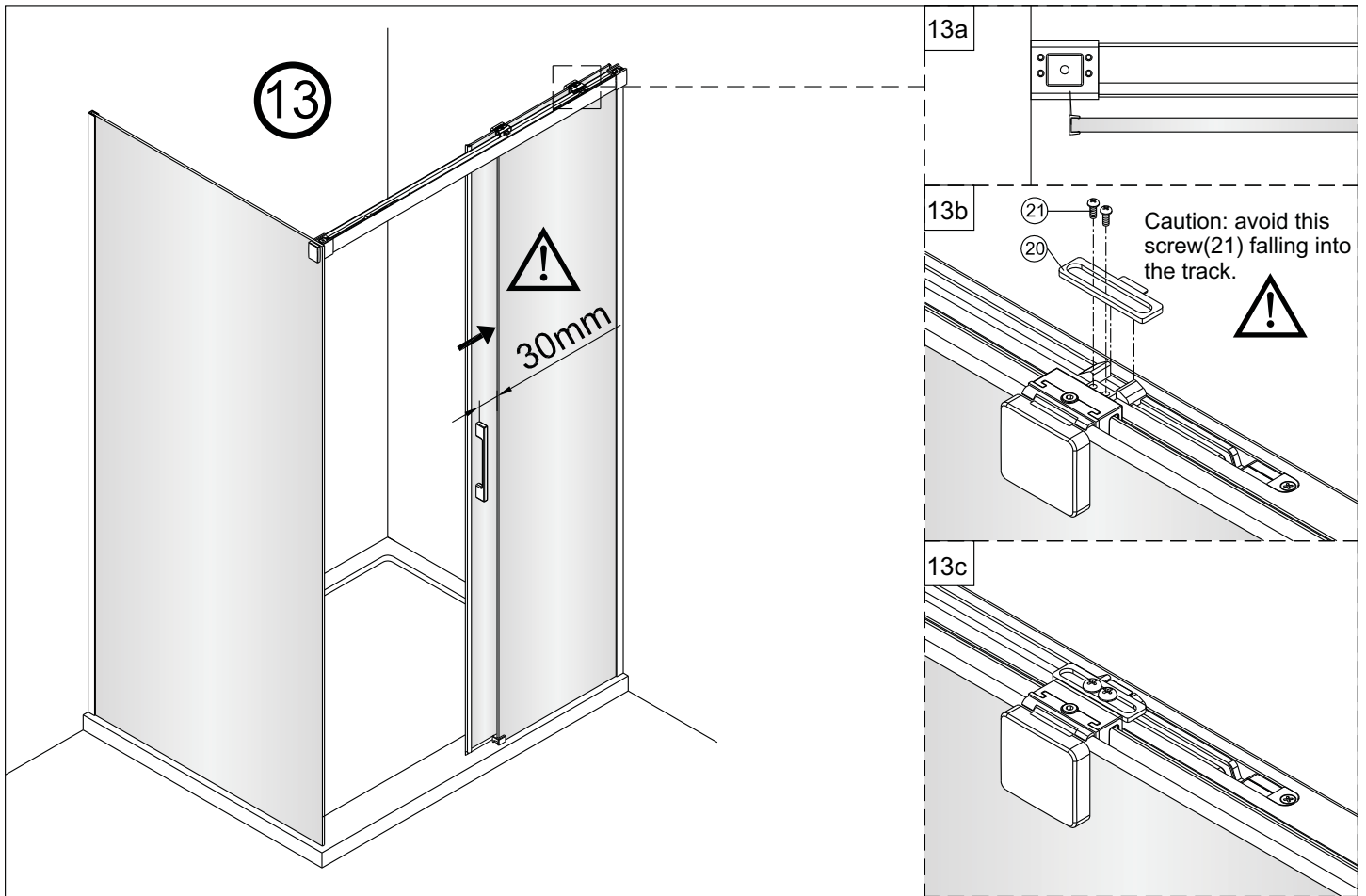


Inside

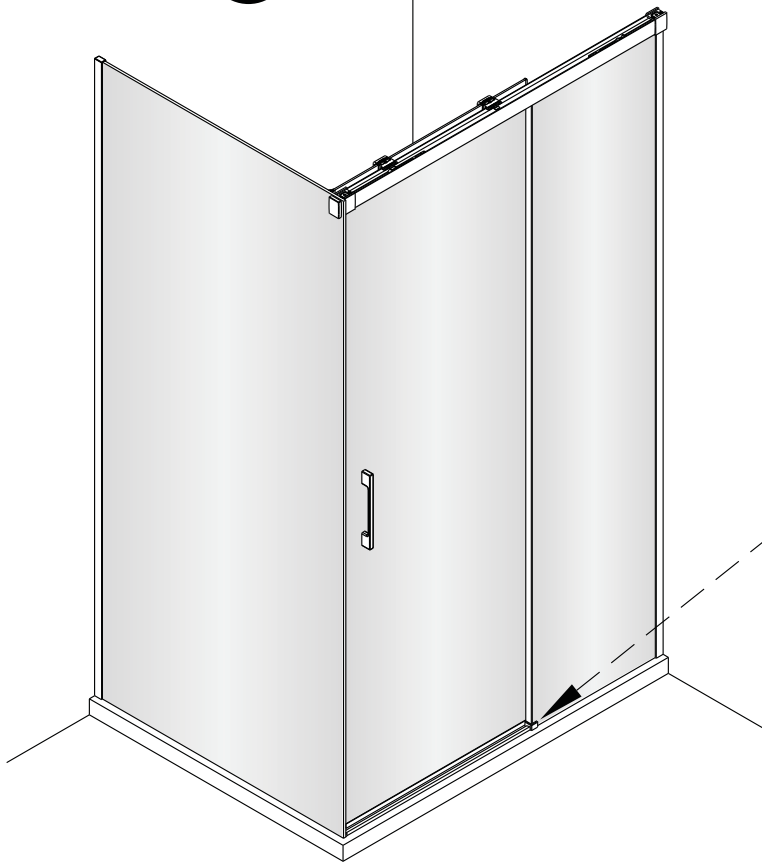
12



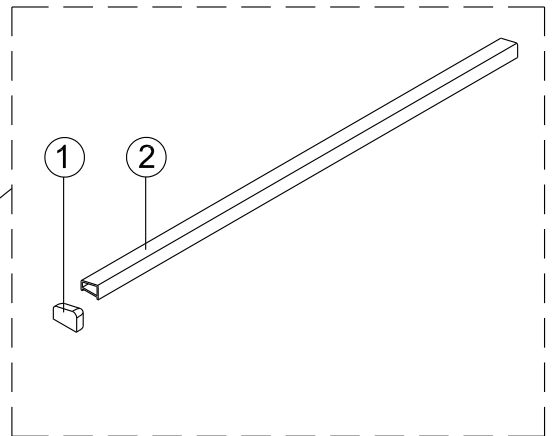
Adjust the moving door through the middle screw on moving door's roller: loosen the screw to make the moving door going up, tighten up the screw to make the moving door going down, meanwhile, please make sure there's 8-10mm gap between the bottom of moving door and the floor.



15a



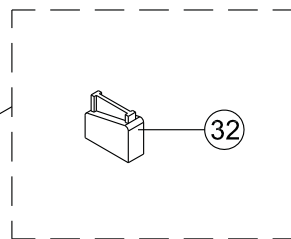
When bottom water barrier is needed for moving door, please see step 16a.

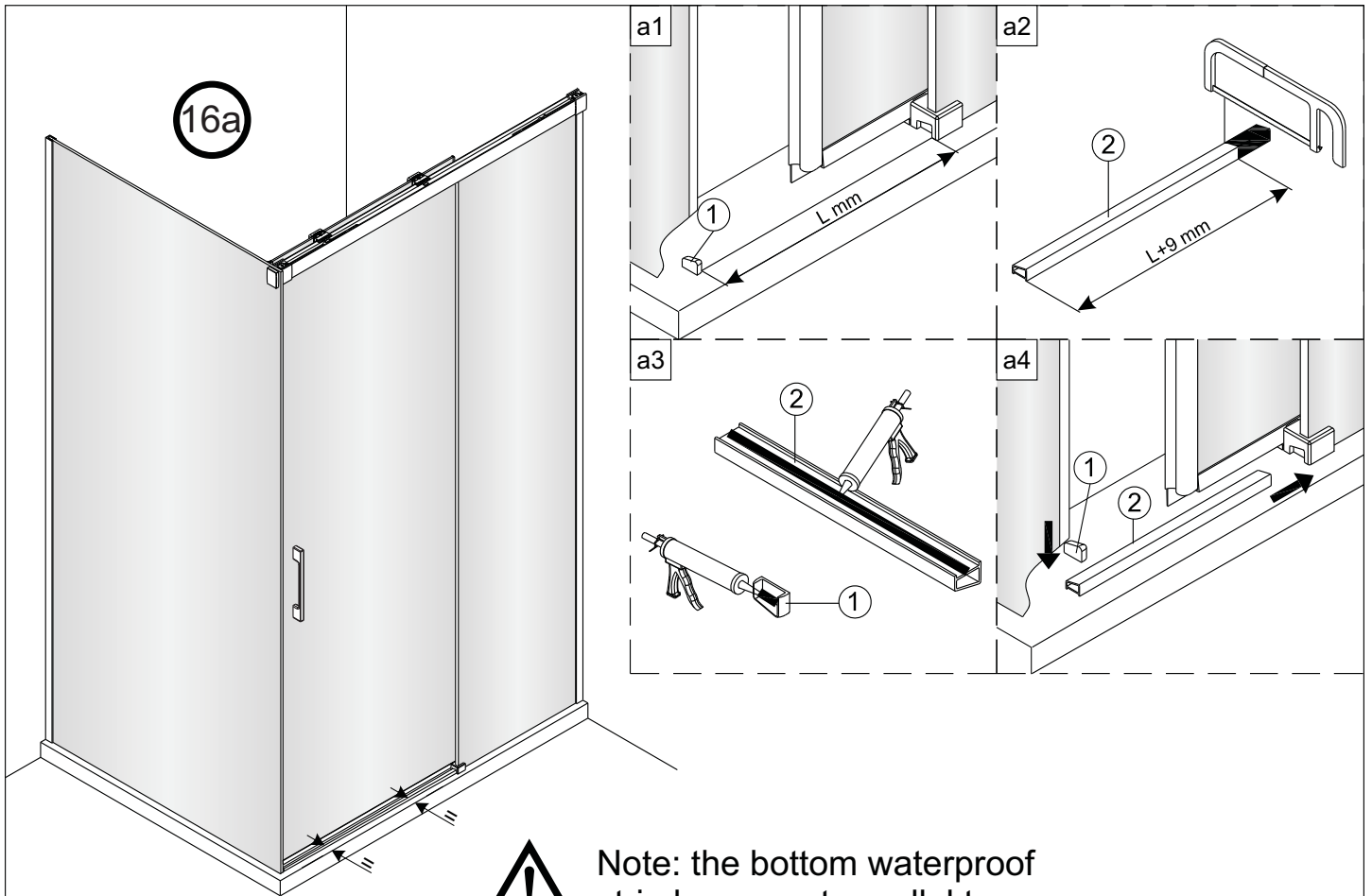


15b

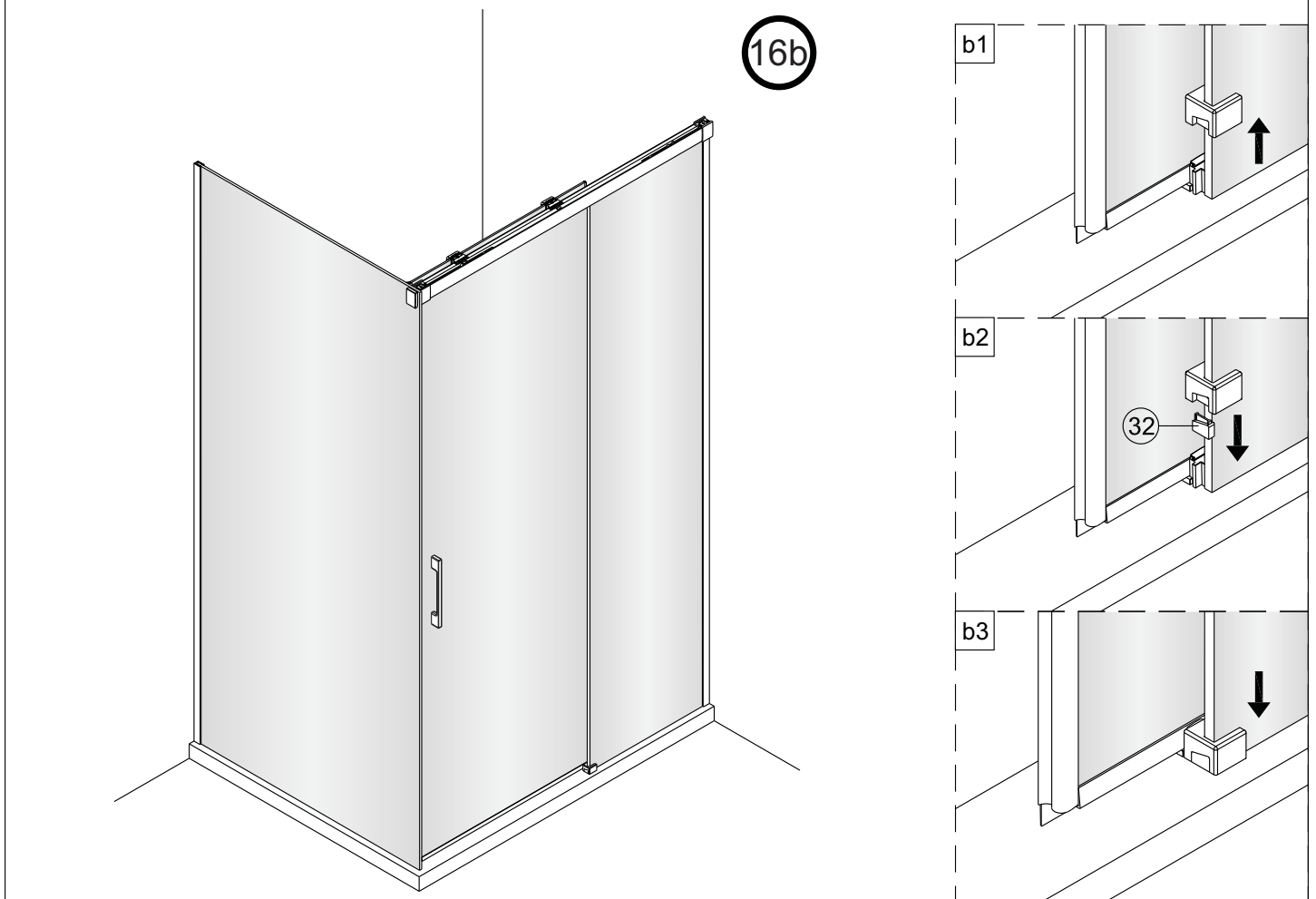


When bottom water barrier is not needed for moving door, please see step 16b.

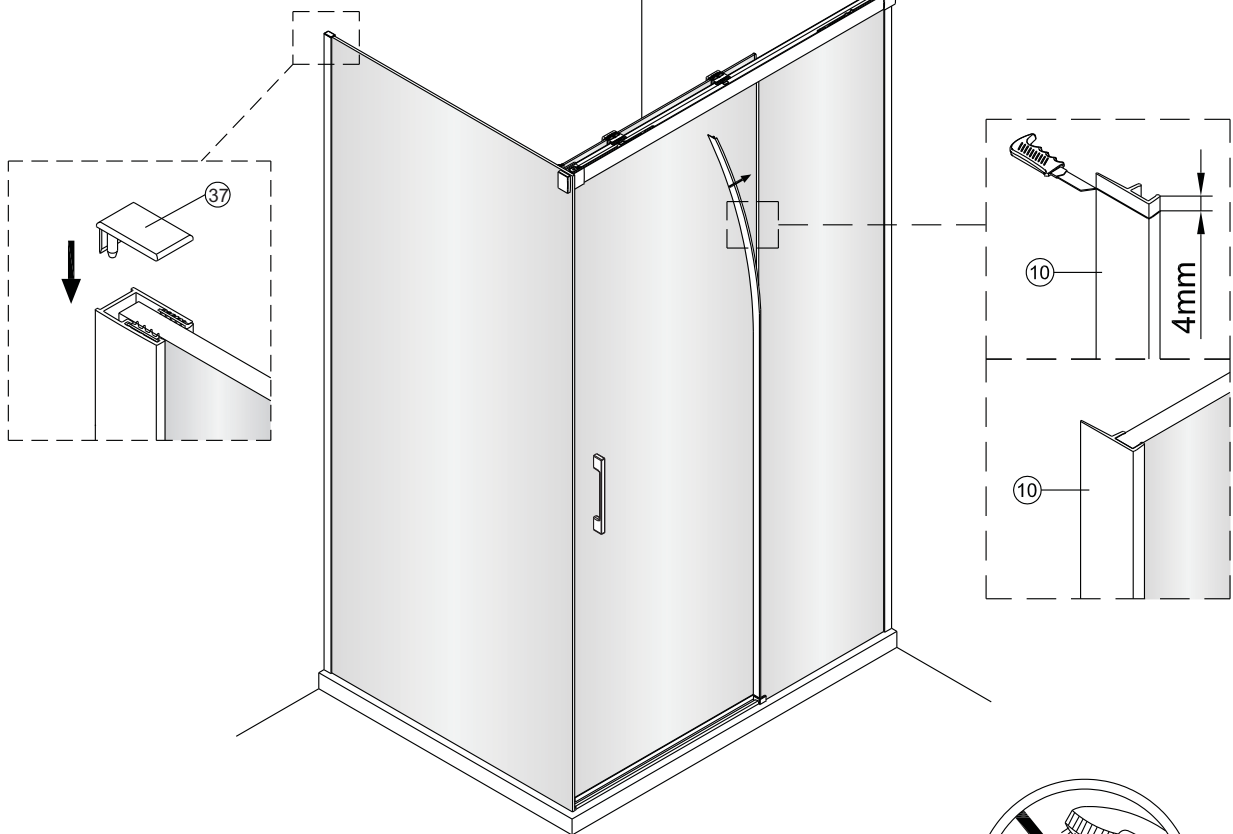




Note: the bottom waterproof strip here must parallel to the rim of shower tray.



17



18

