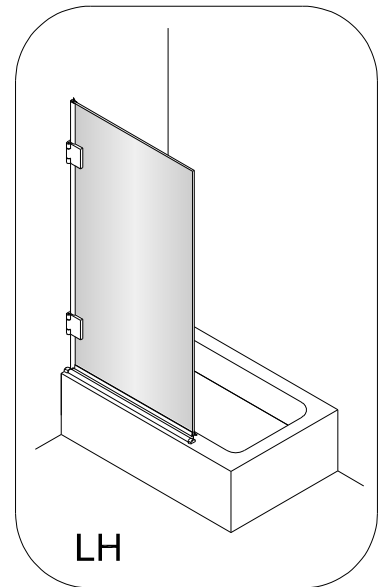
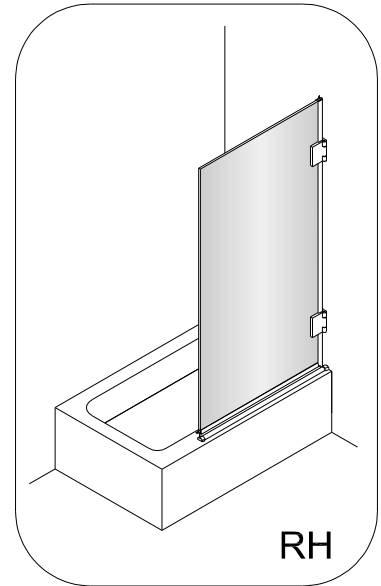
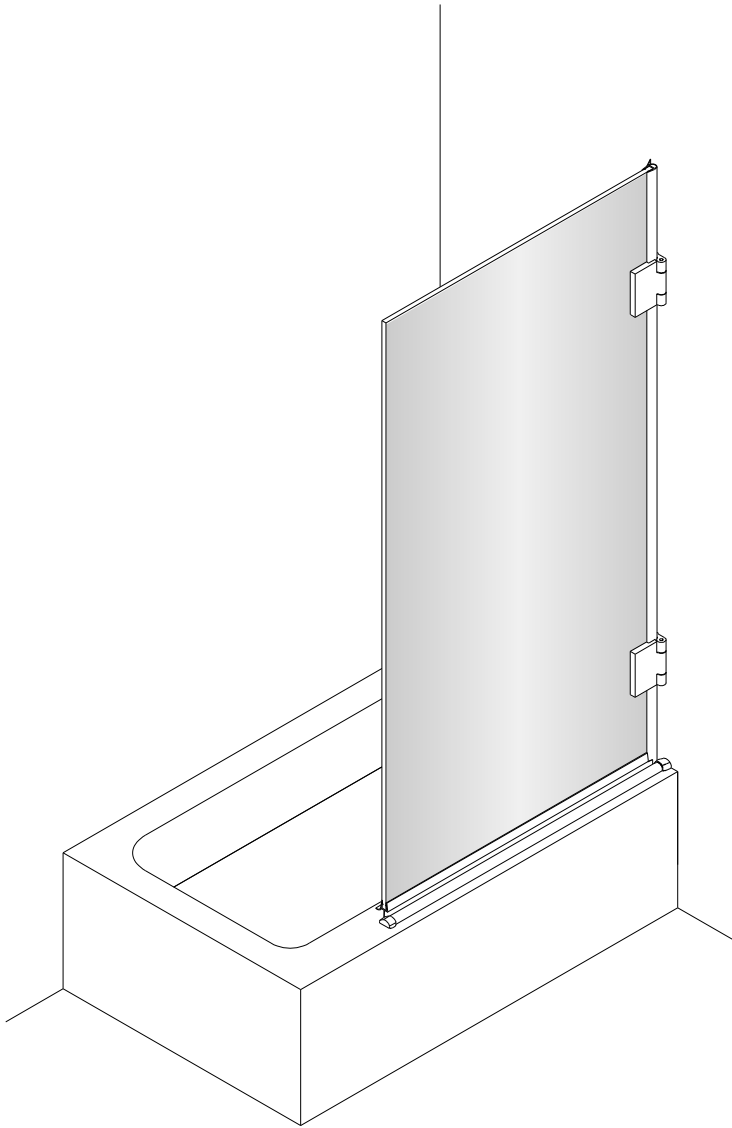
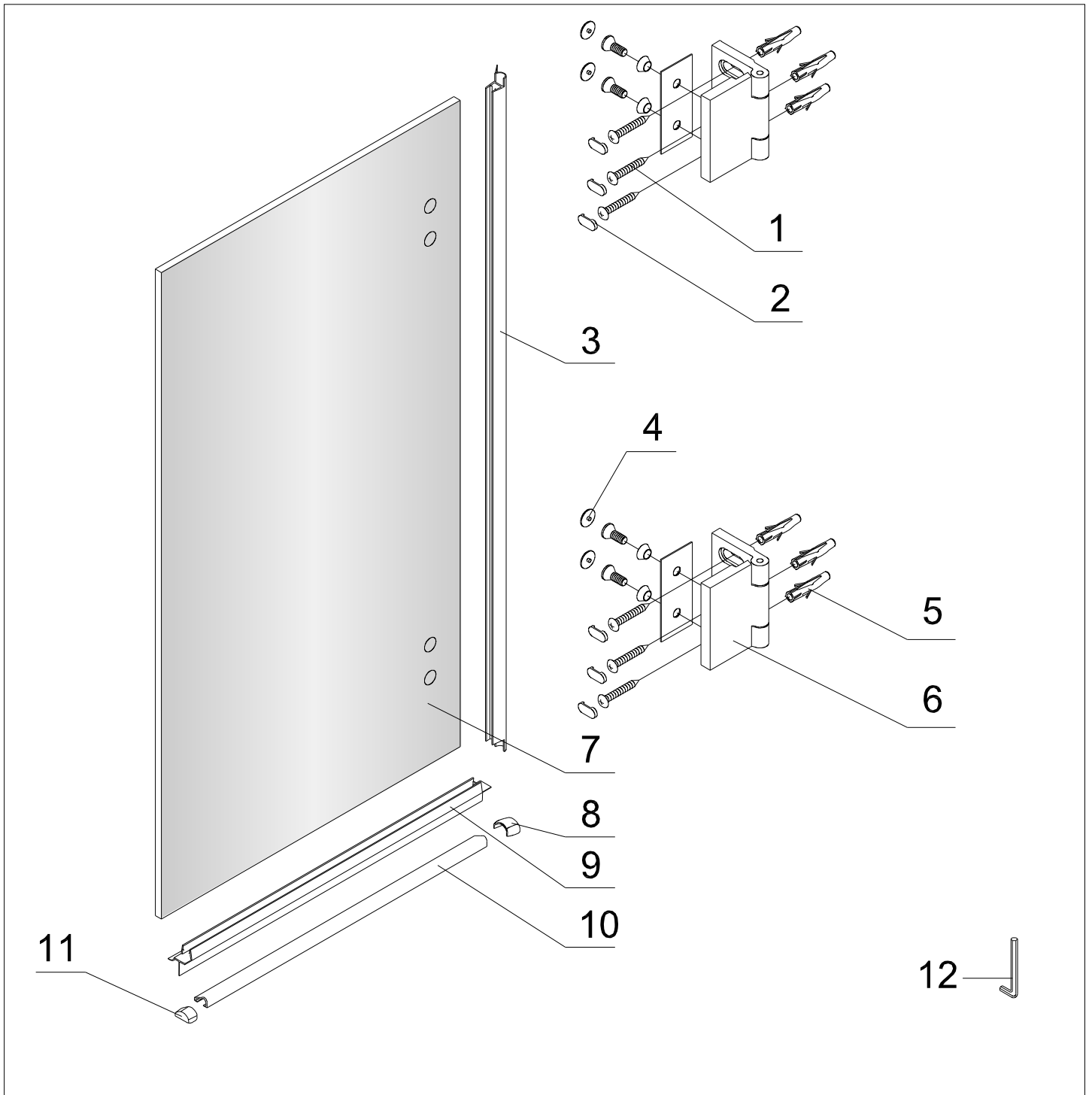
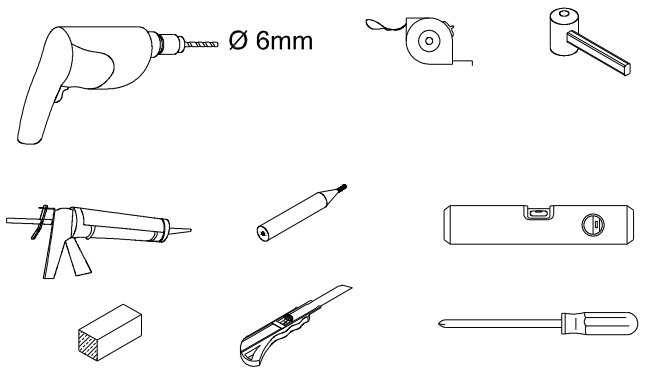


# CVP8N Instruction Manual

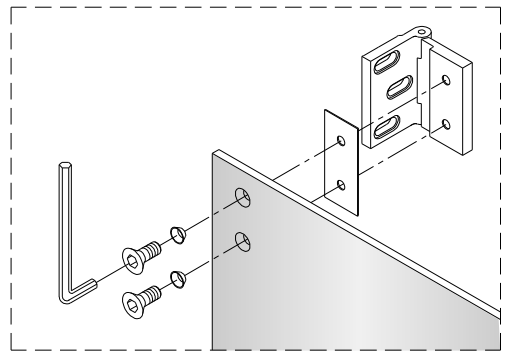
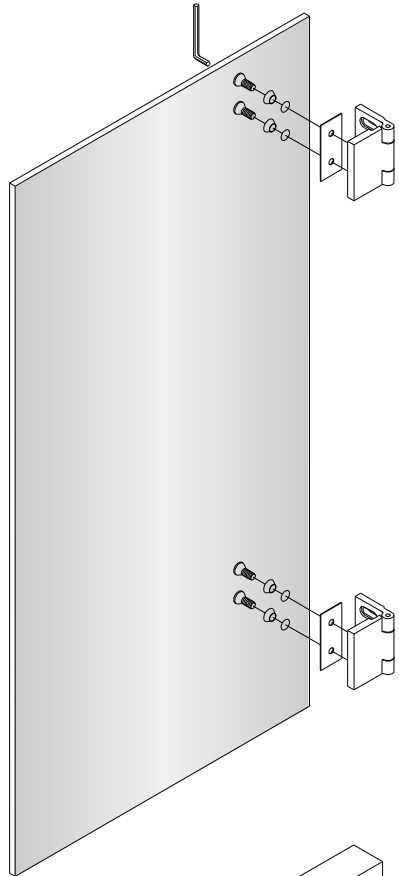




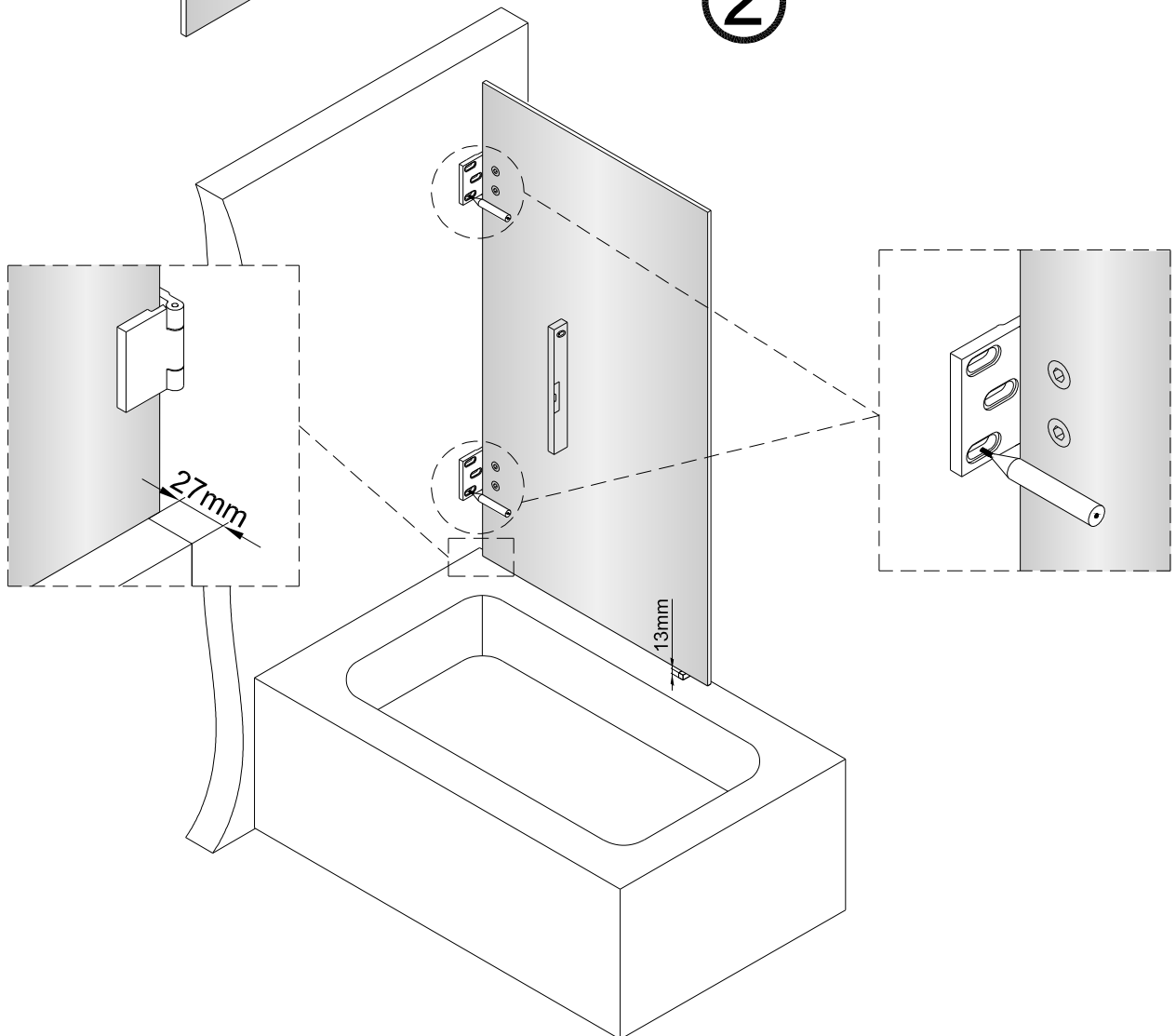
ITEM NO.	DESCRIPTION	QUANTITY	TOOLS REQUIRED
1	ST4X50 Screw	6	
2	Cap	6	
3	Waterproof Strip	1	
4	Hinge cap	4	
5	Wall Plug	6	
6	Hinge	2	
7	Moving Door	1	
8	Drip Strip End I	1	
9	Bottom Waterproof Strip	1	
10	Bottom profile	1	
11	Drip Strip End II	1	
12	Hexangular spanner (4mm)	1	



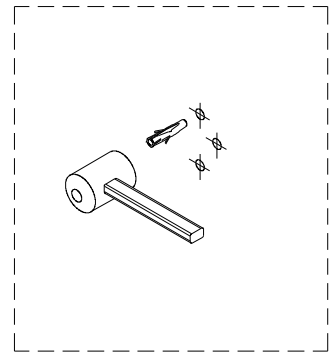
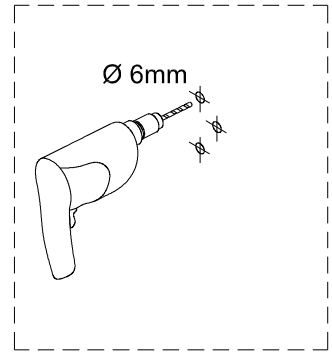
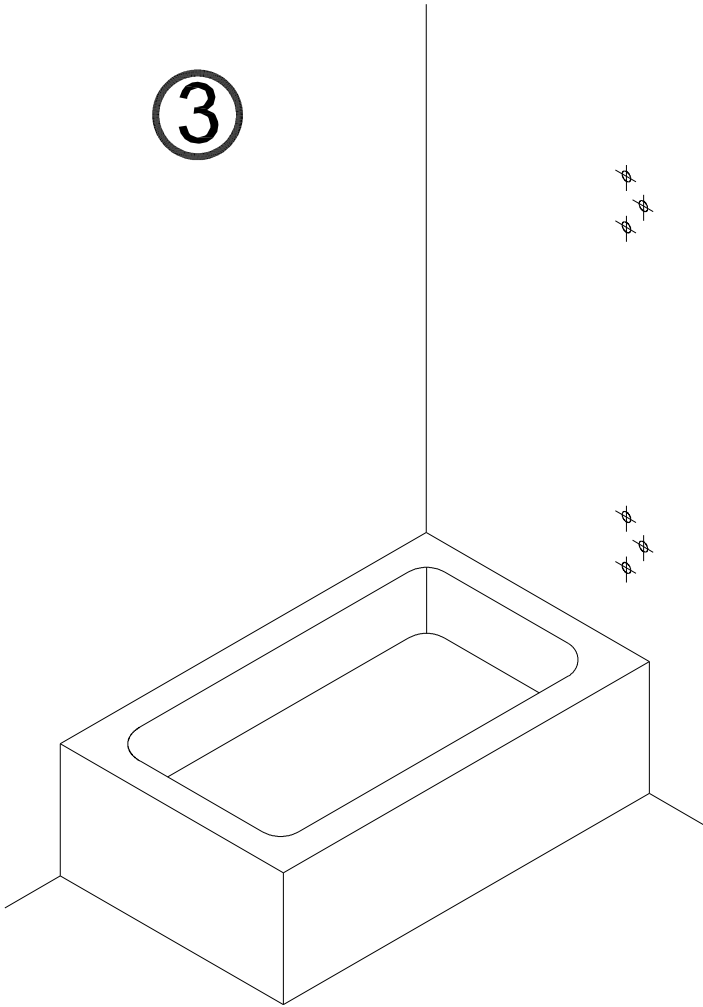
1



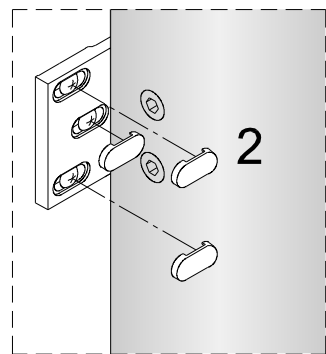
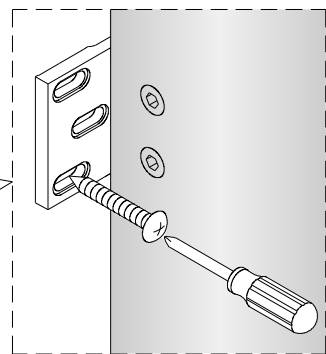
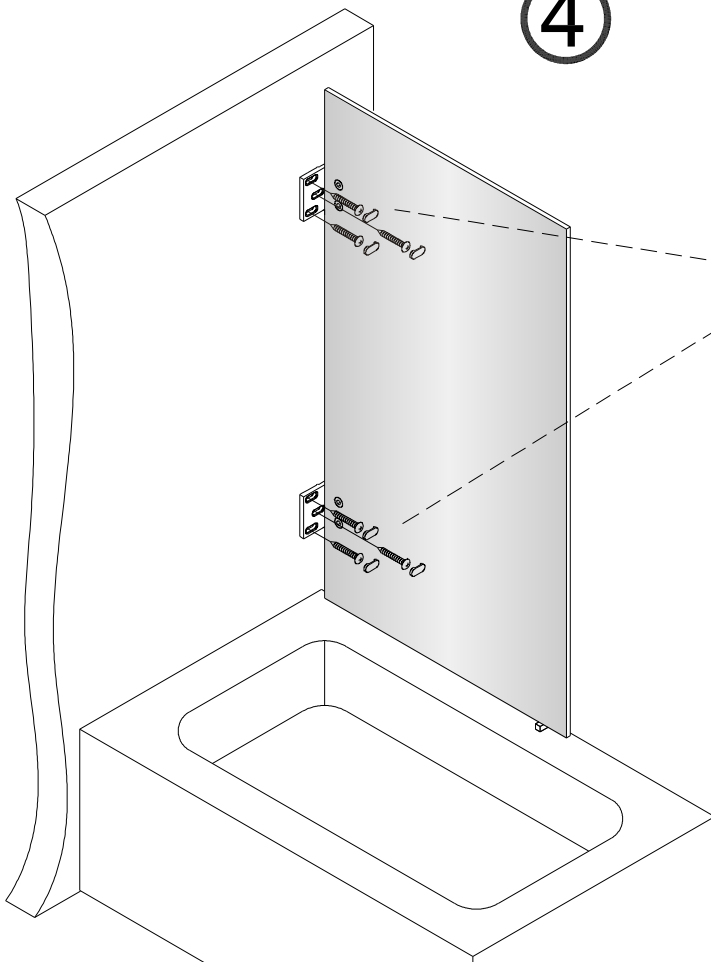
2



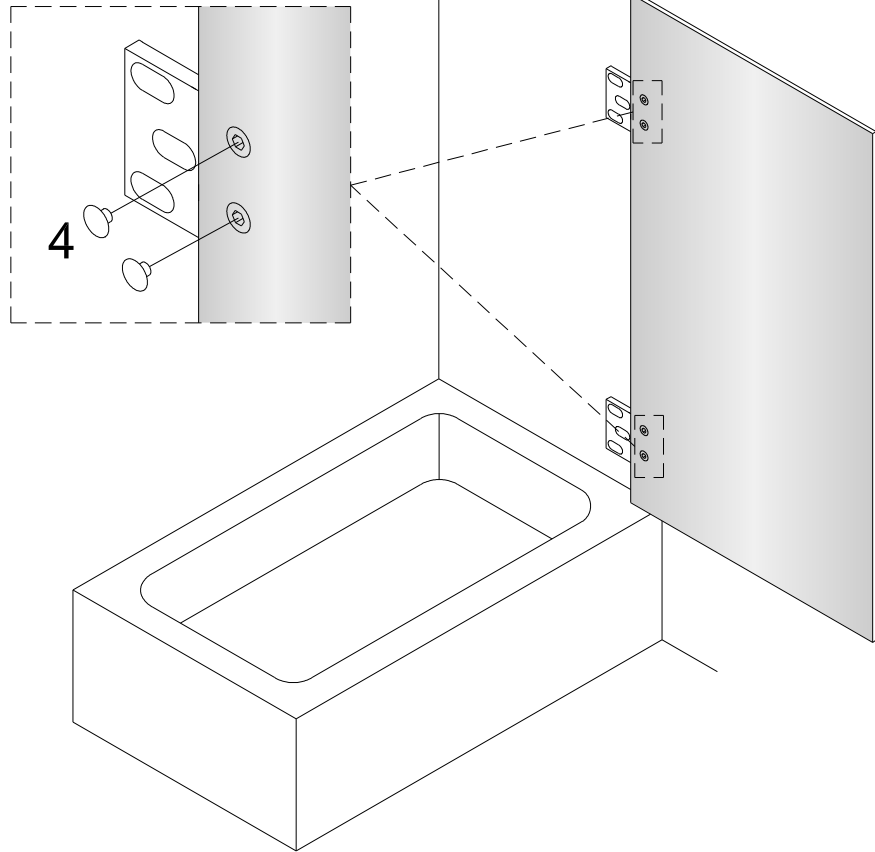
3



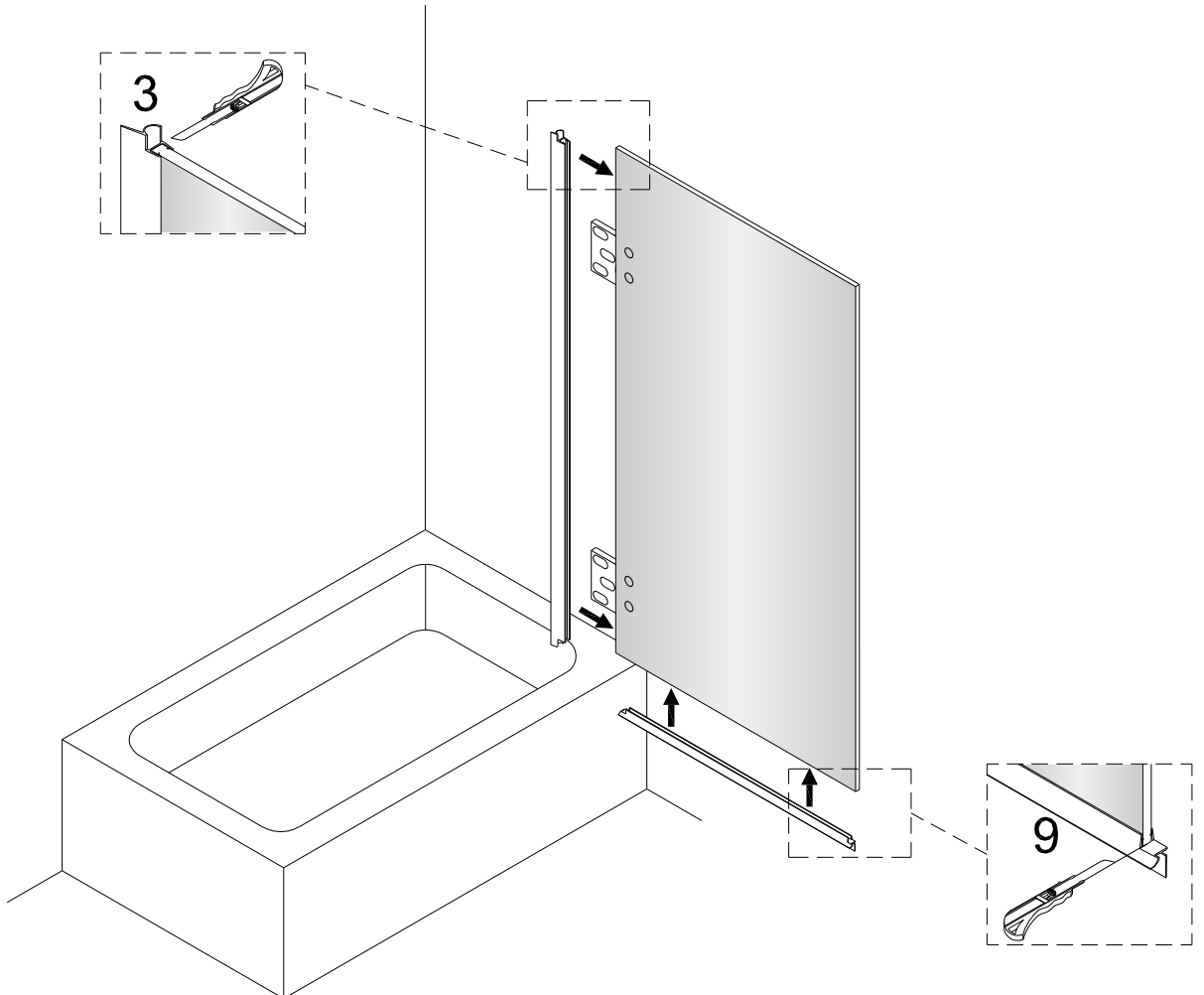
4



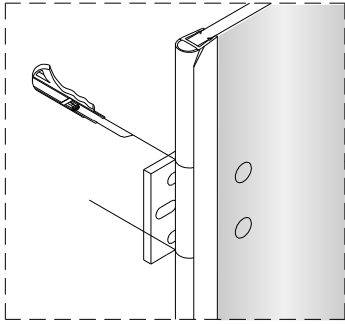
5



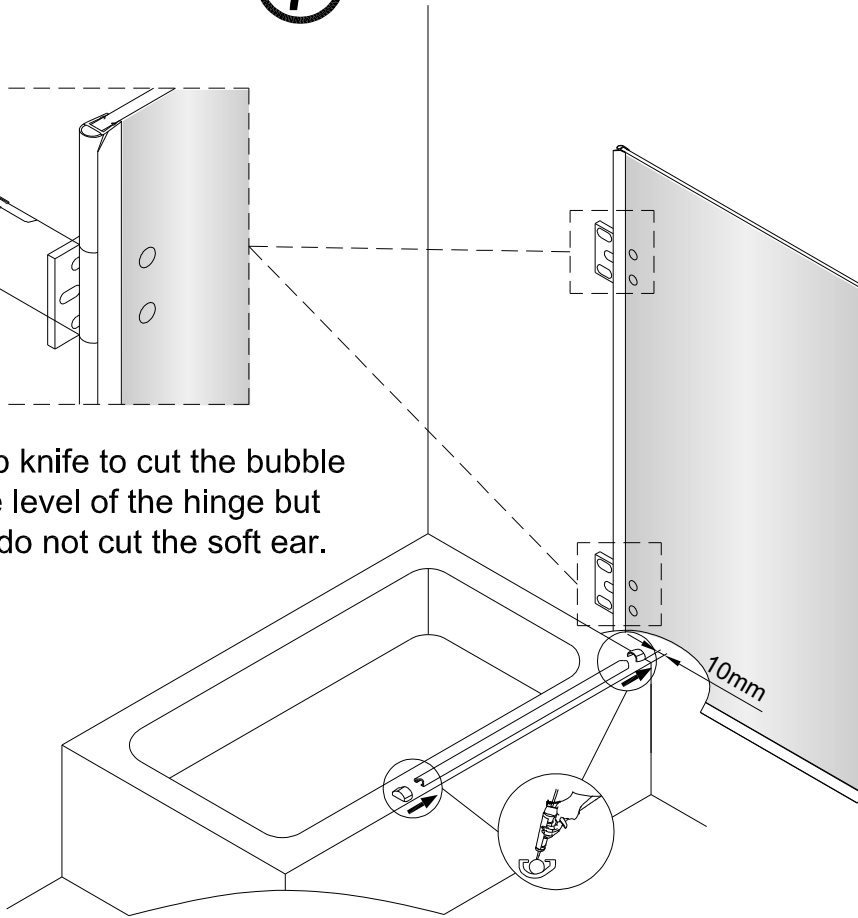
6



7



Use a sharp knife to cut the bubble in the same level of the hinge but make sure do not cut the soft ear.



8

