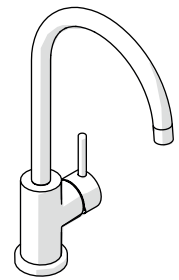


+

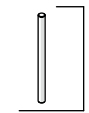


+

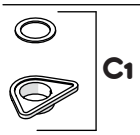
Not included / Non incluso / Non inclus / Nie zawarty / No incluido / Não incluido



1



A



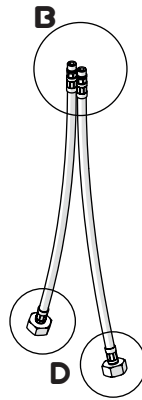
C1



C

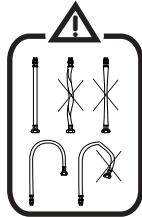


D

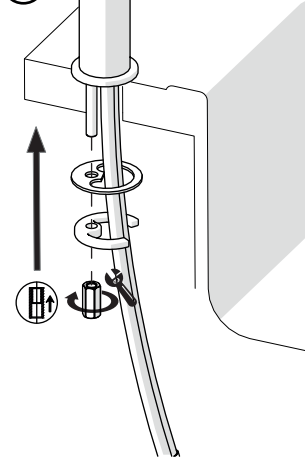


B

D

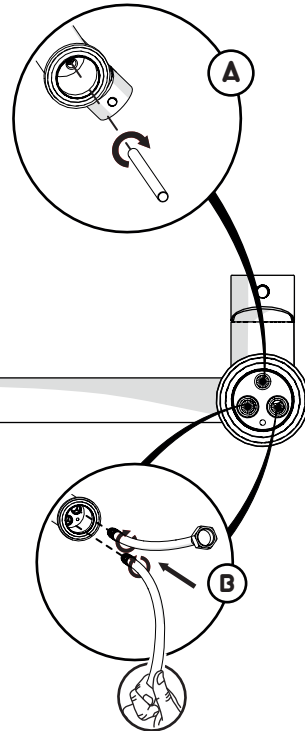


C



D

B



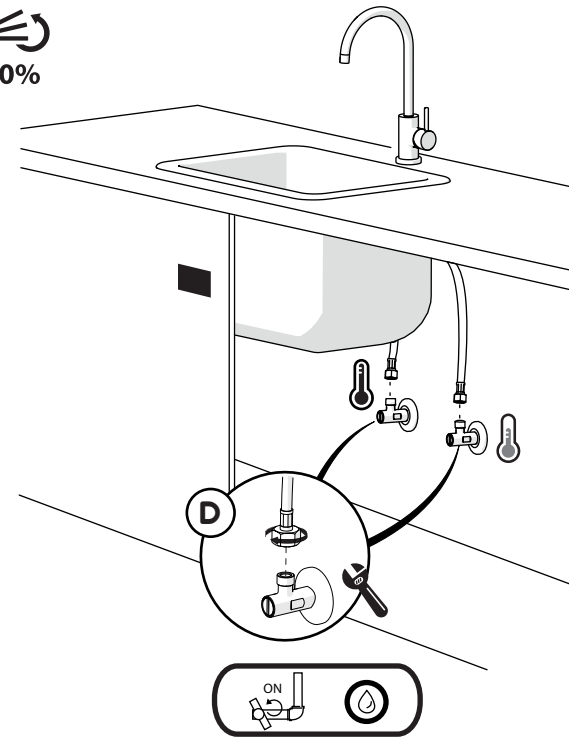
A

B

3



-50%



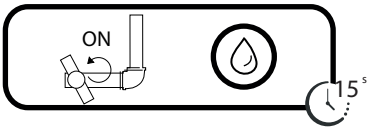
D



ON

50%

5



ON

50%

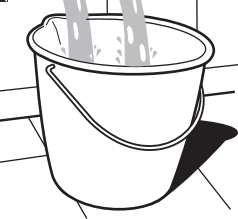


15s



ON

50%



OFF

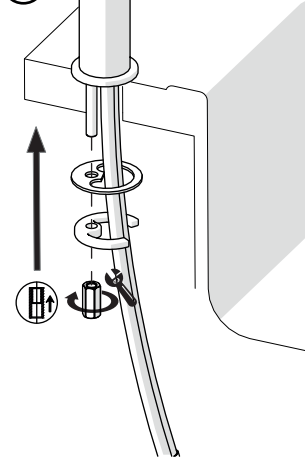
100%



2

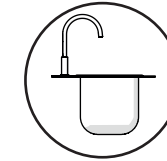


C

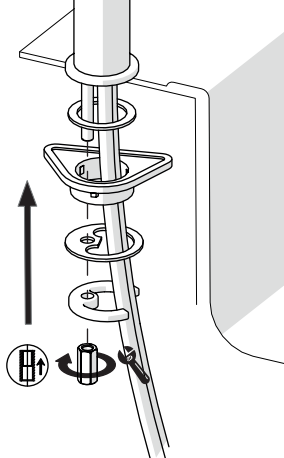


D

B



C1



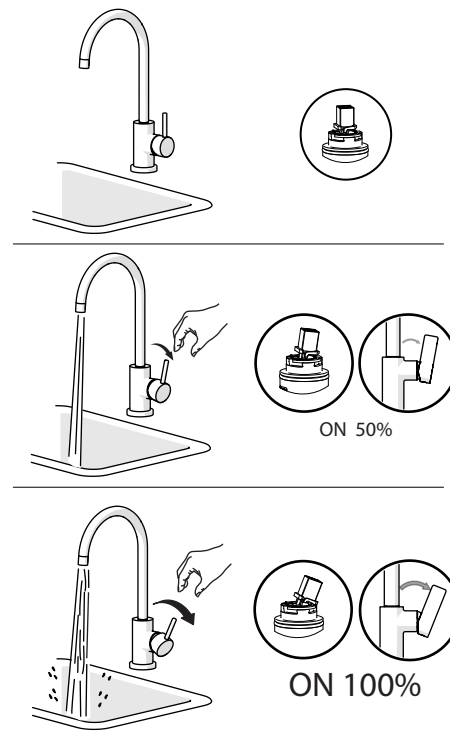
D

B

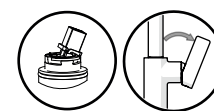
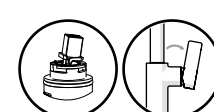
4



-50%

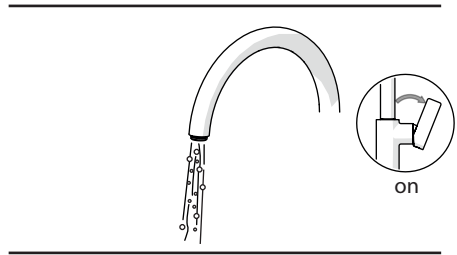


ON 50%

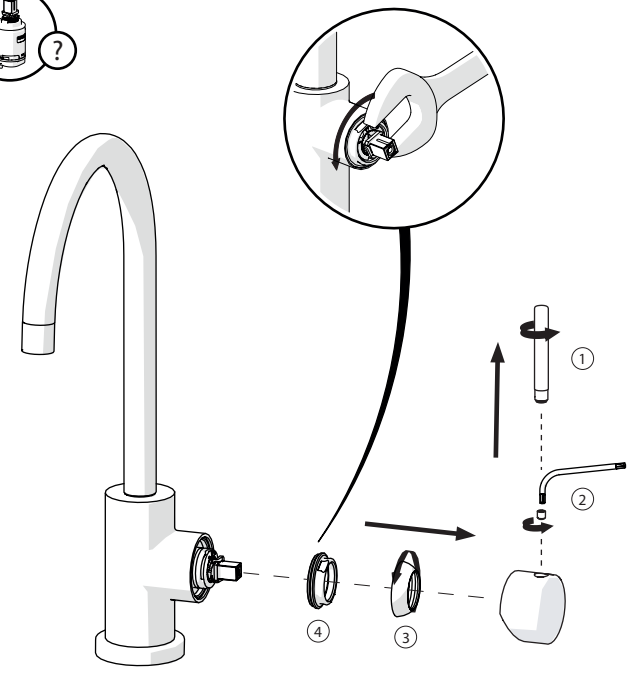


ON 100%

6

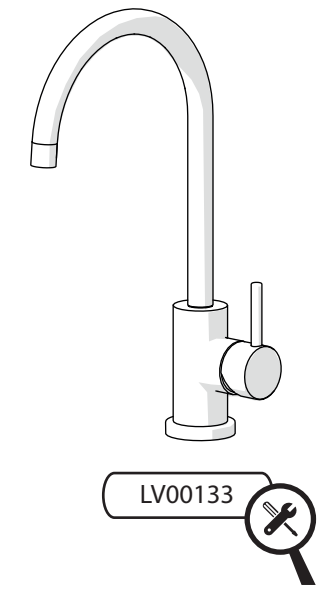


7



9

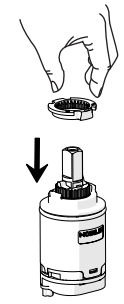
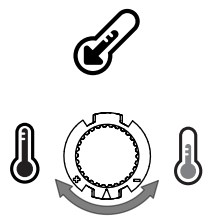
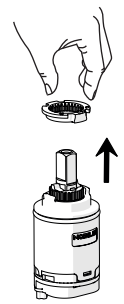
NOBILIS
The Best Technology for Water



IISTRV00133#---STD

www.grupponobili.it

REV1.03/2014

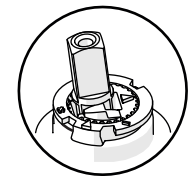
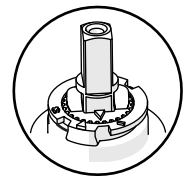
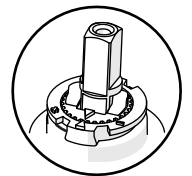


8

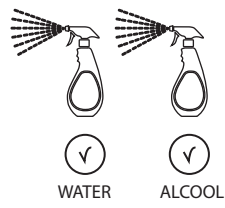
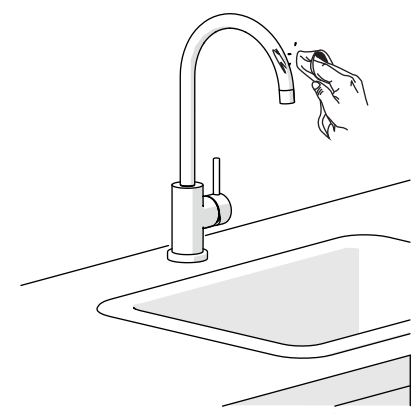
No limitation of temperature

Partial limitation of temperature

Maximum position Only cold water



10



CLEANING



P
P bar

0,5 MIN. **MAX 10**

5 **T**

T
°C

MAX 80

65-45 **T**

