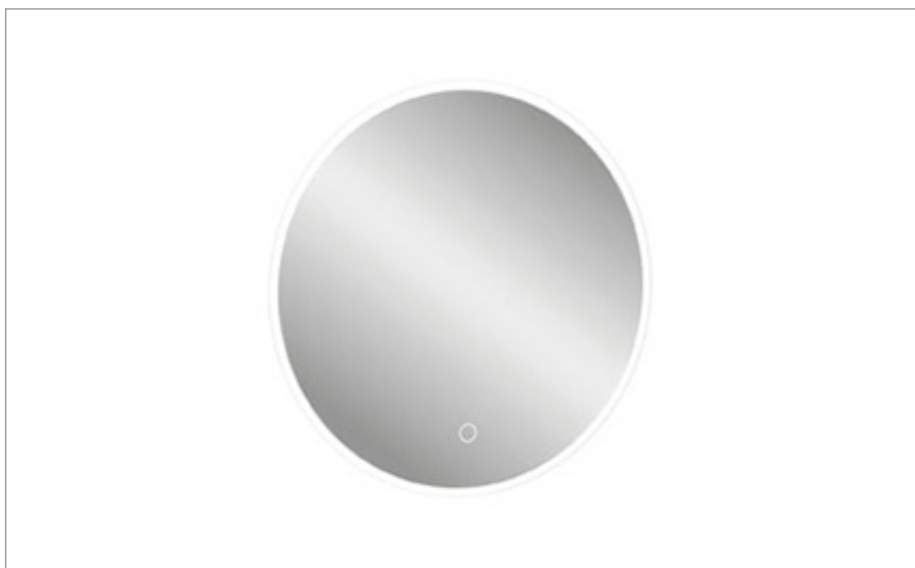


PRODUCT DATA SHEET



PRODUCT CODE

IF_MIRROR

RANGE

MIRROR

DESCRIPTION

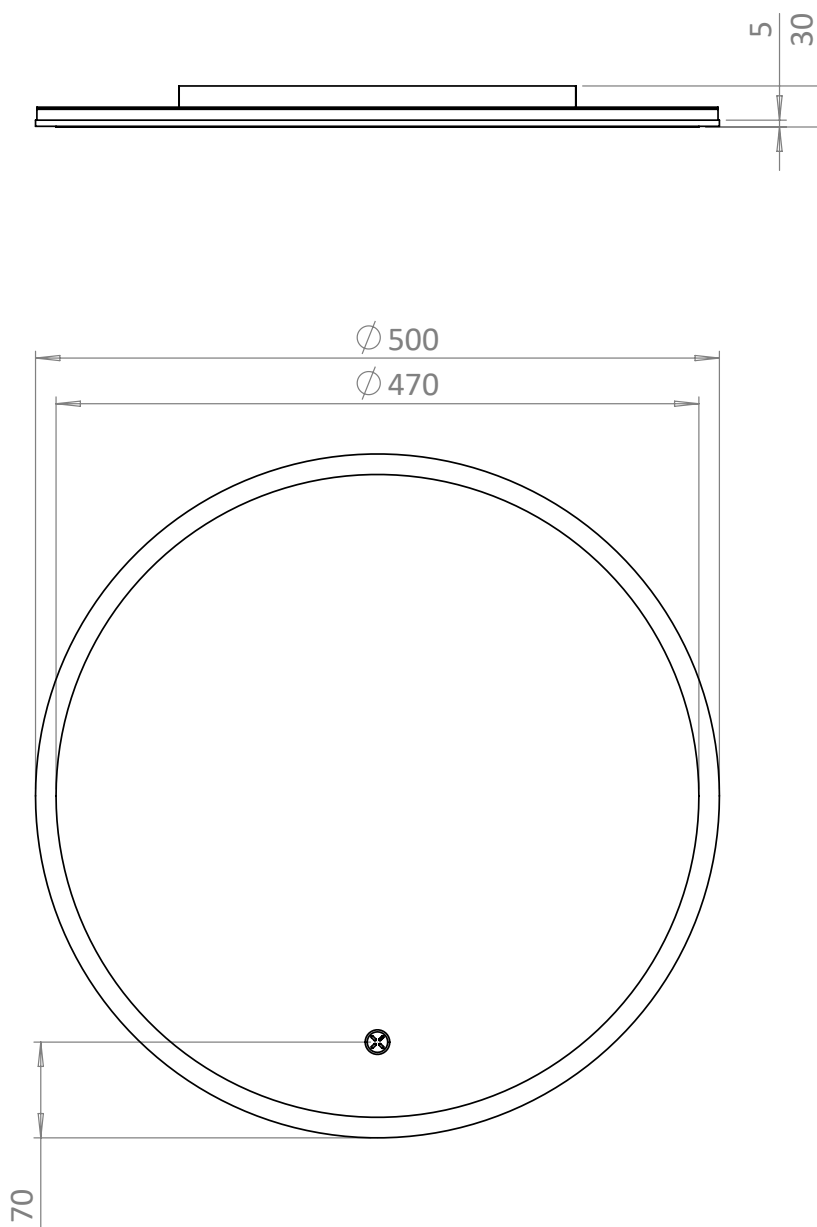
Infinity Illuminated Mirror 500mm Ø

MATERIAL	Glass & Aluminium
HANDLING/INSTALLATION	Wall Mounting
HANGING	Portrait Only
LED WATTAGE	5.3W
DRIVER WATTAGE	15W
TEMPERATURE CHANGING COLOUR RANGE (K)	Yes 2700 - 6400
LUMINOUS EFFICACY (LM/W)	95
COLOUR RENDERING INDEX (RA)	85
ENERGY RATING	F
SWITCH TYPE	Touch Switch
IP RATING	44
LIGHT TYPE	LED
CABLE LENGTH	1050mm
STANDARDS	EN60598 EN60592 EN62493
DOP CLASS	01 - 2017
WEIGHT	5.1kg
WARRANTY	5 Years

TECHNICAL DIMENSIONS

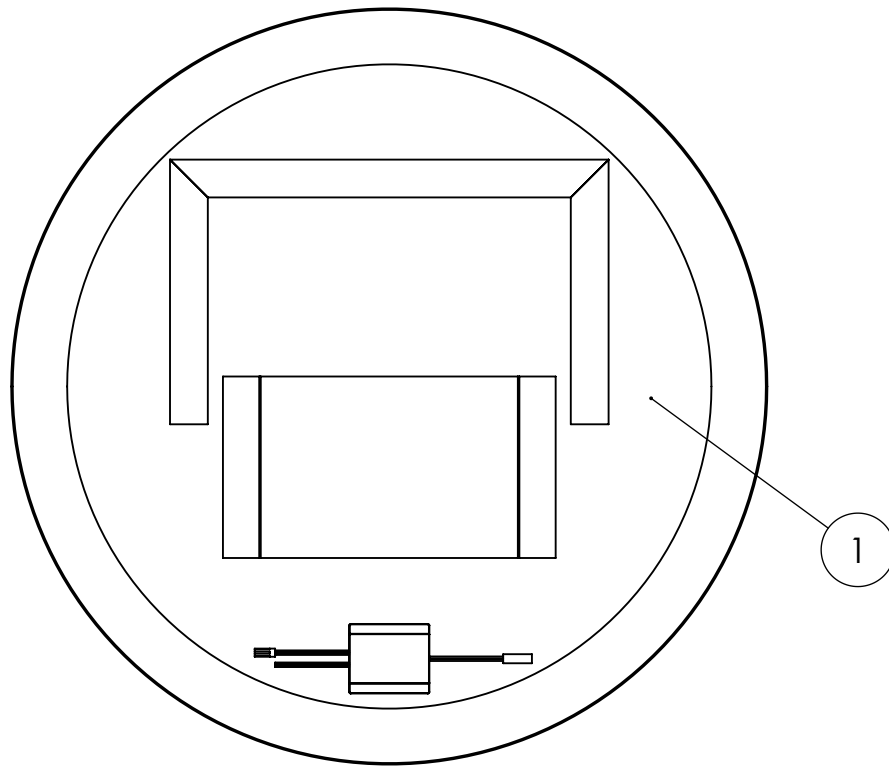
Dimensions in mm unless otherwise specified.

Tolerances (per material type) apply.



V11022

SPARES DIAGRAM



NUMBER	PART CODE	DESCRIPTION
1	MIRRORBRACKET	Hanging Brackets

Only the parts labelled are available as spares.

V11022