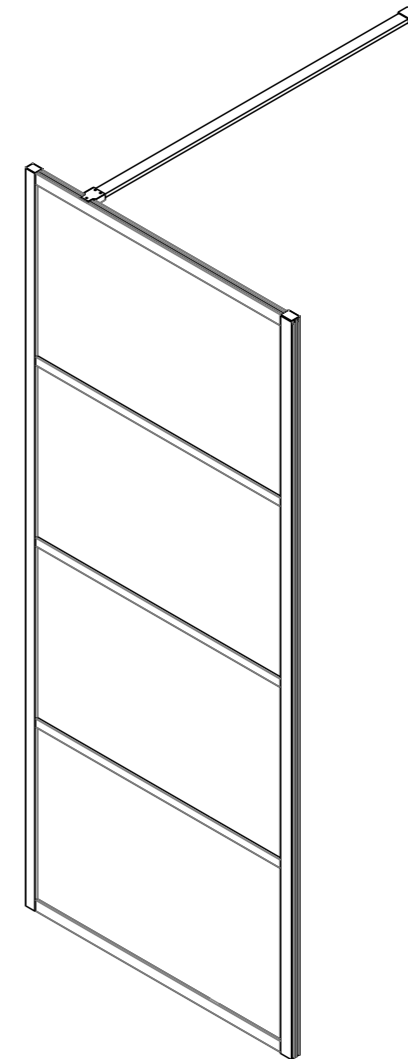


View from outside  
The silicon is not included

## INSTALLATION INSTRUCTIONS

SW238200/SW238201  
SW238202/SW238203  
SW238204/SW238205



Size: 800x2000mm  
900x2000mm  
1000x2000mm  
1100x2000mm  
1200x2000mm  
1400x2000mm



## ◆ General Information

Please inspect the product immediately upon receipt for transit damage, missing packs/parts or manufacturing fault. Damage reported later cannot be accepted. Please handle the product with care avoiding knocks and shock loading to all sides and edges of the glass.

### Notes: Safety glass can not be re-worked.

Please read these instructions carefully before start of installation.

Special care should be taken when drilling walls to avoid hidden pipes or electrical cables.

Note: This product is heavy and may require two people to install.

### Aftercare instructions

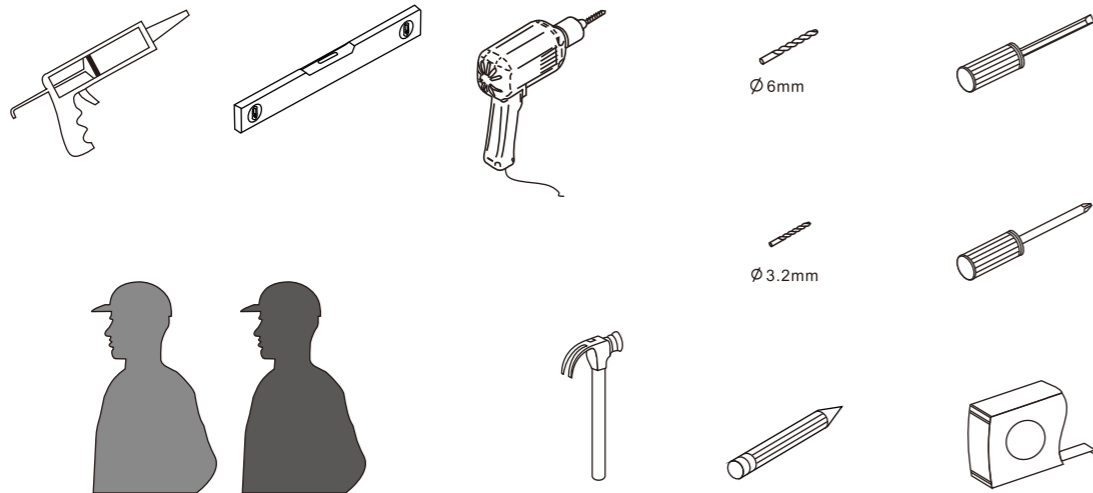
After use, your shower should be cleaned with soap and water. This is particularly important in hard water districts where insoluble lime salts may be deposited and allowed to build up.

Cleaners of a gritty or abrasive nature should not be used. Care should be taken to avoid contact with strong chemicals such as organic solvents and strippers.

Glass cleaners can be used but with caution, if in doubt contact the manufacturer of the cleaner in question.

Please keep these instructions for aftercare and customer service details.

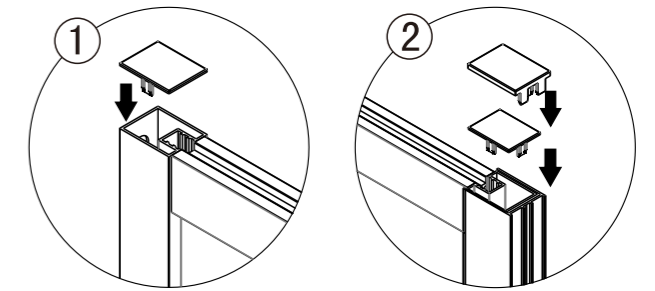
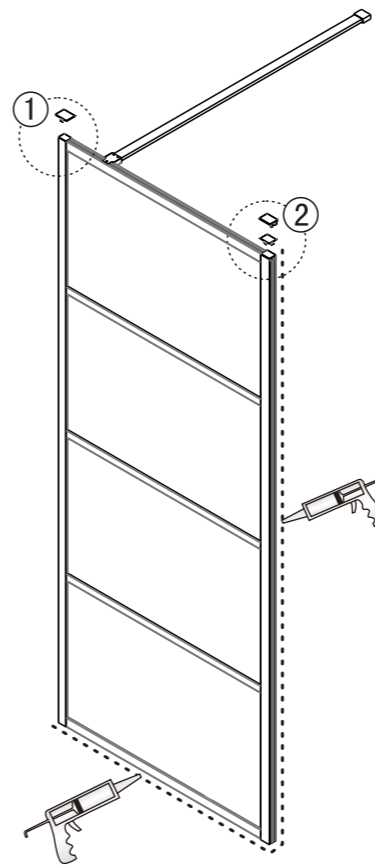
### Tools Required



This product is heavy and may require two people to install.



## Step 5

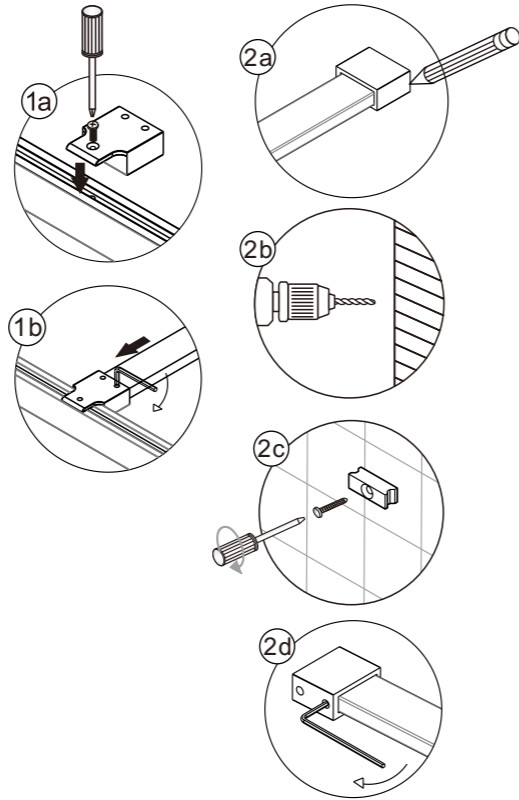
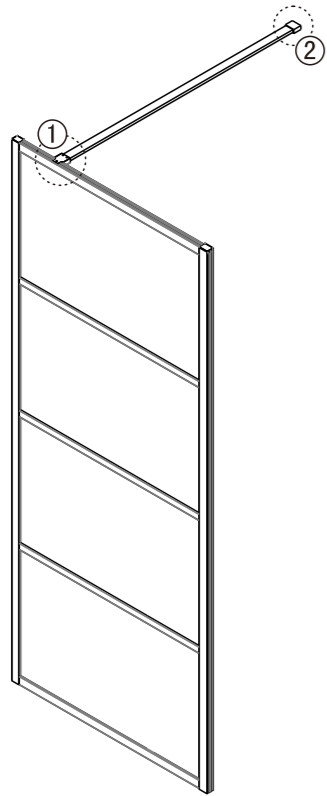


View from inside



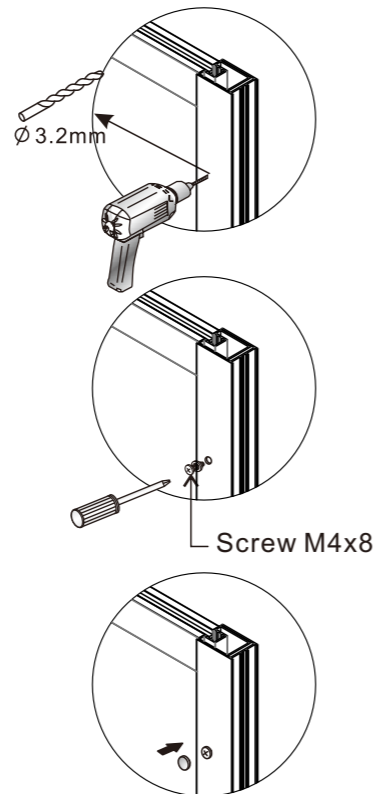
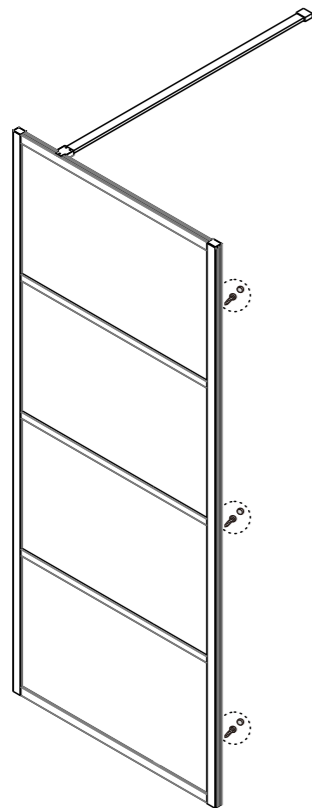
Allow 24 hours for silicone to dry before use.

### Step 3



⚠ Ensure wall profiles are plumb.  
Adjust enclosure to be square and level.

### Step 4

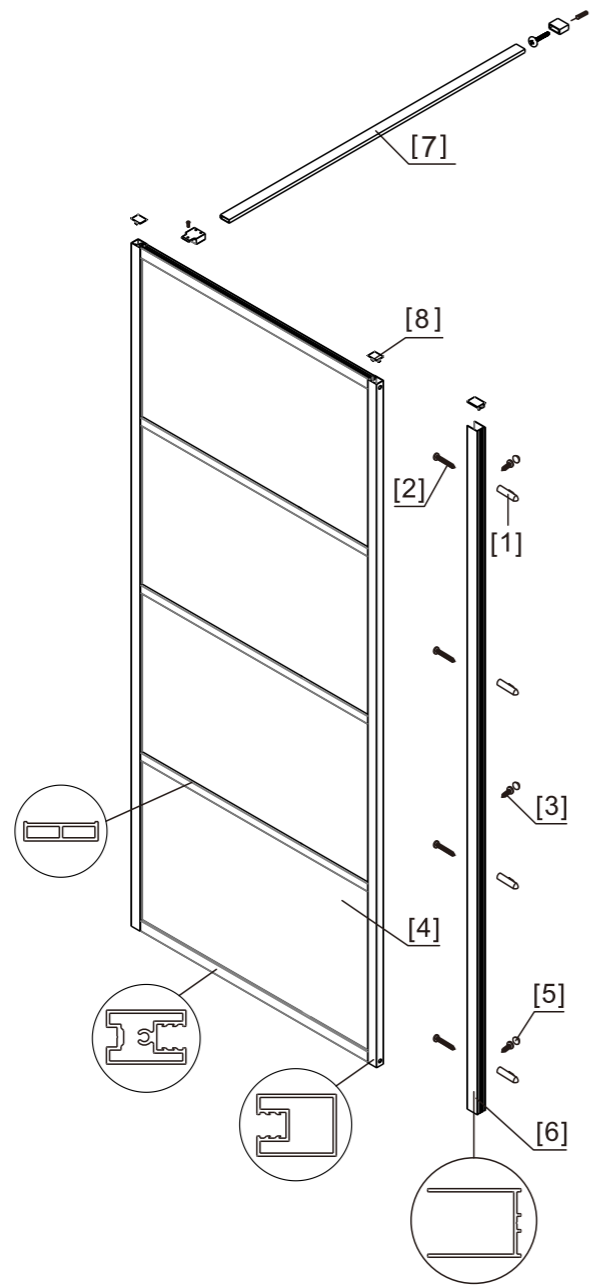


View from inside

### ◆ Box Contents

[1] 1xInstallation Instruction	➔	
[2] 4xWall Plugs 4xPlat Screws M4x35	➔	
[3] 3xScrews M4x8 3xScrew Cover Caps	➔	
[4] 3xProfile Covers	➔	
[5] 1xBracket	➔	
[6] 1xWall Post	➔	
[7] 1xFixed Panel	➔	

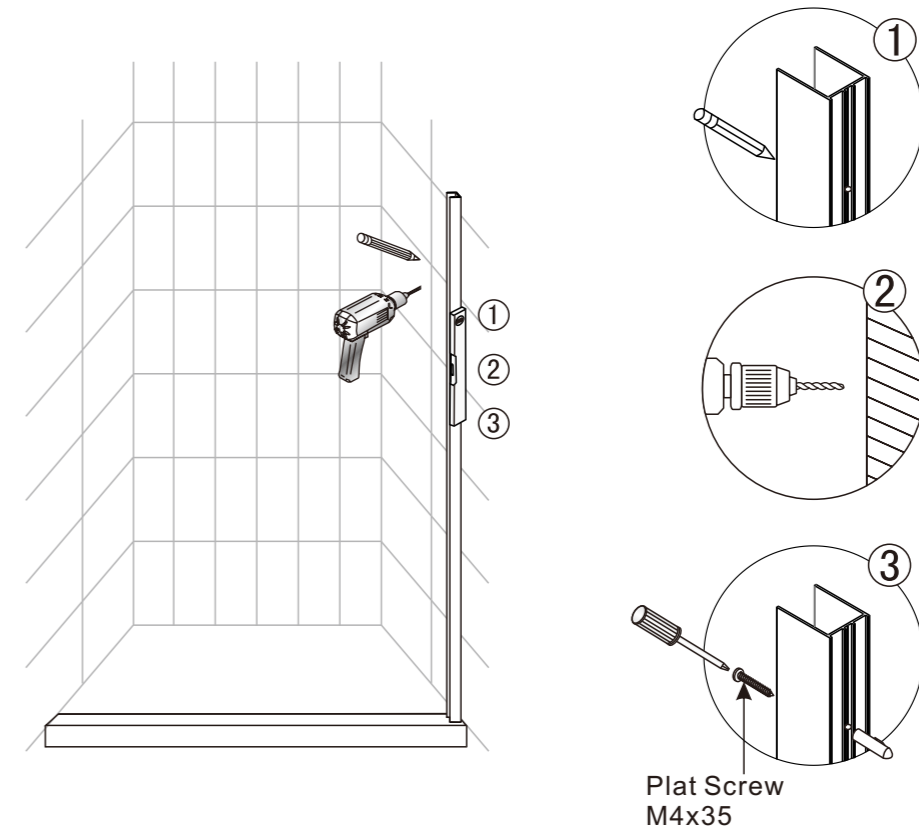
## ◆ Assembly Drawing



- |                         |                        |
|-------------------------|------------------------|
| [1] 4xWall Plugs        | [5] 3xScrew Cover Caps |
| [2] 4xPlat Screws M4x35 | [6] 1xWall Post        |
| [3] 3xScrews M4x8       | [7] 1xBracket          |
| [4] 1xFixed Panel       | [8] 3xProfile Covers   |

## ◆ Installation Steps

### Step 1



### Step 2

