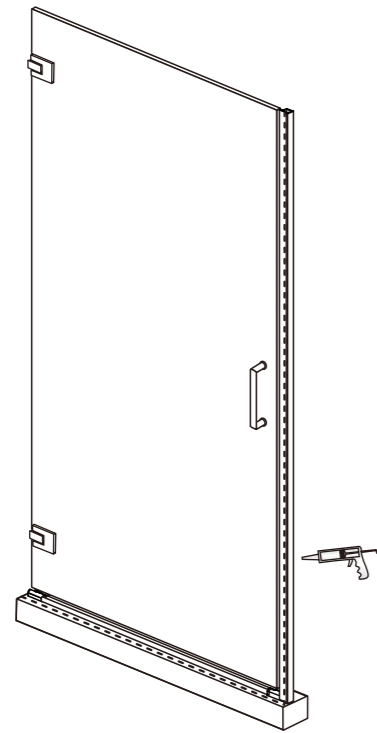


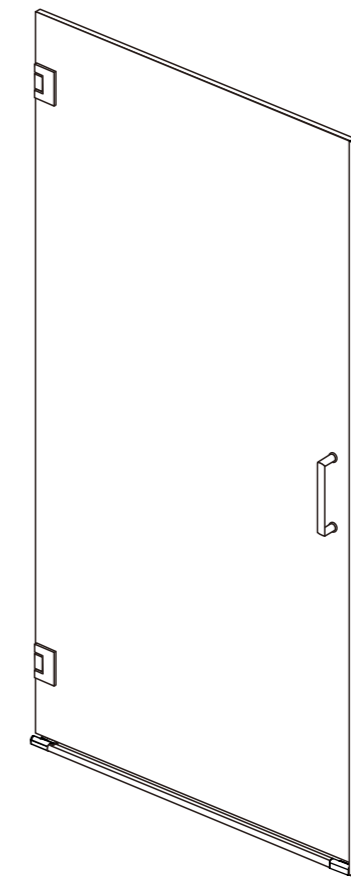
Step 6



Allow 24 hours for silicone to dry before use.

INSTALLATION INSTRUCTIONS

SW765 / SW767 / SW769 / SW771
SW538301 / SW538302
SW538303 / SW538304



Size: 650x2000mm
750x2000mm
850x2000mm
950x2000mm

◆ General Information

Please inspect the product immediately upon receipt for transit damage, missing packs/parts or manufacturing fault. Damage reported later cannot be accepted. Please handle the product with care avoiding knocks and shock loading to all sides and edges of the glass.

Notes: Safety glass can not be re-worked.

Please read these instructions carefully before start of installation.

Special care should be taken when drilling walls to avoid hidden pipes or electrical cables.

Note: This product is heavy and may require two people to install.

Aftercare instructions

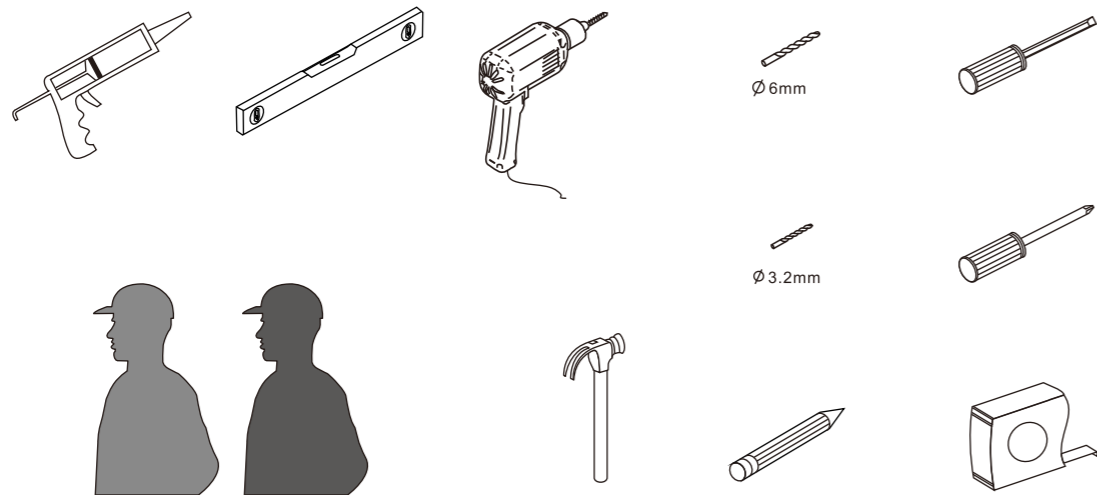
After use, your shower should be cleaned with soap and water. This is particularly important in hard water districts where insoluble lime salts may be deposited and allowed to build up.

Cleaners of a gritty or abrasive nature should not be used. Care should be taken to avoid contact with strong chemicals such as organic solvents and strippers.

Glass cleaners can be used but with caution, if in doubt contact the manufacturer of the cleaner in question.

Please keep these instructions for aftercare and customer service details.

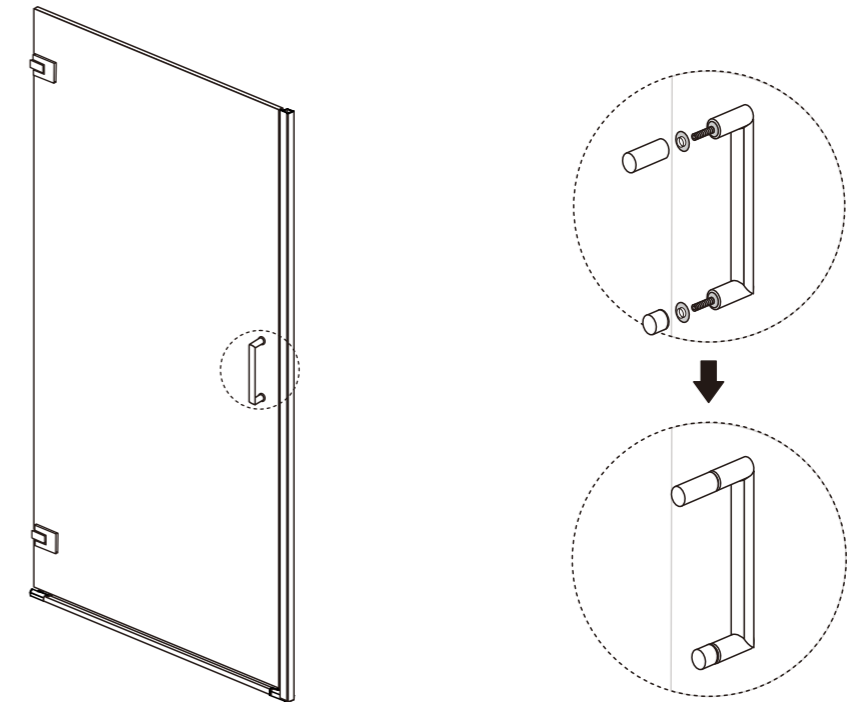
Tools Required



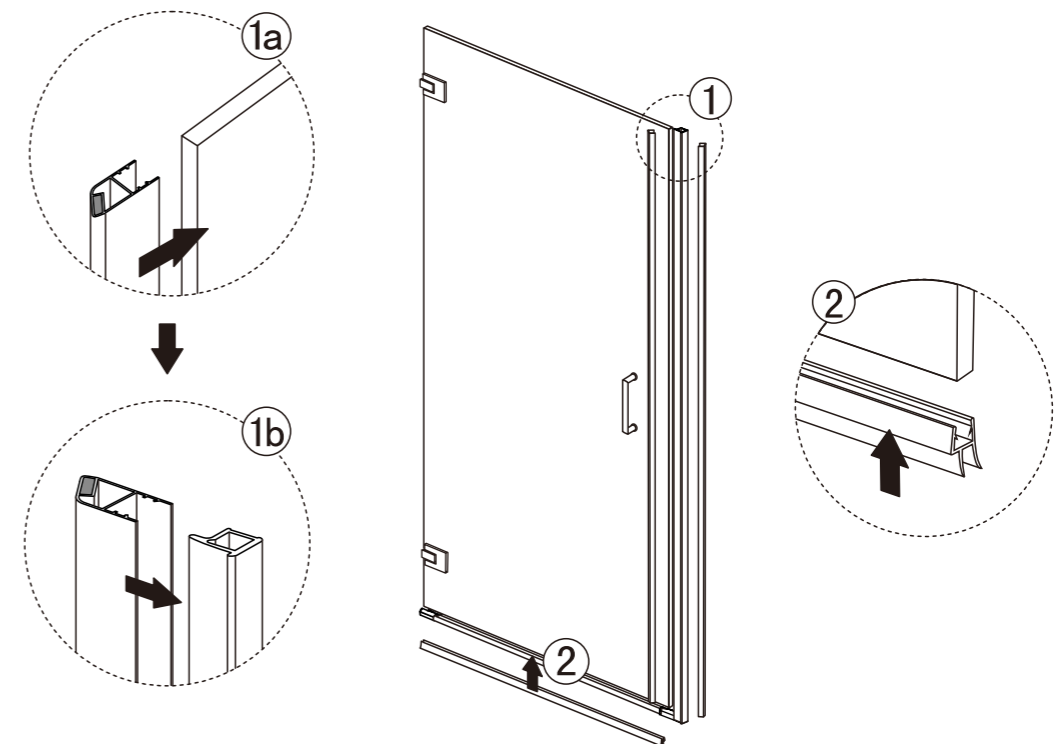
This product is heavy and may require two people to install.



Step 4

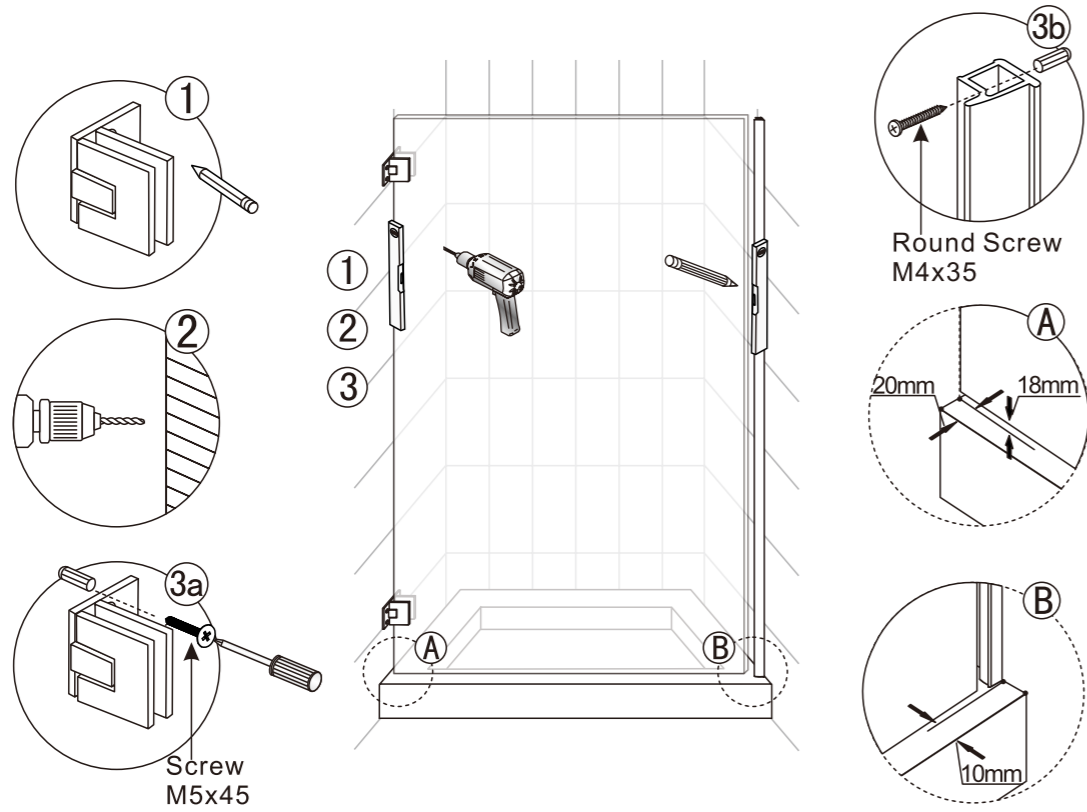


Step 5

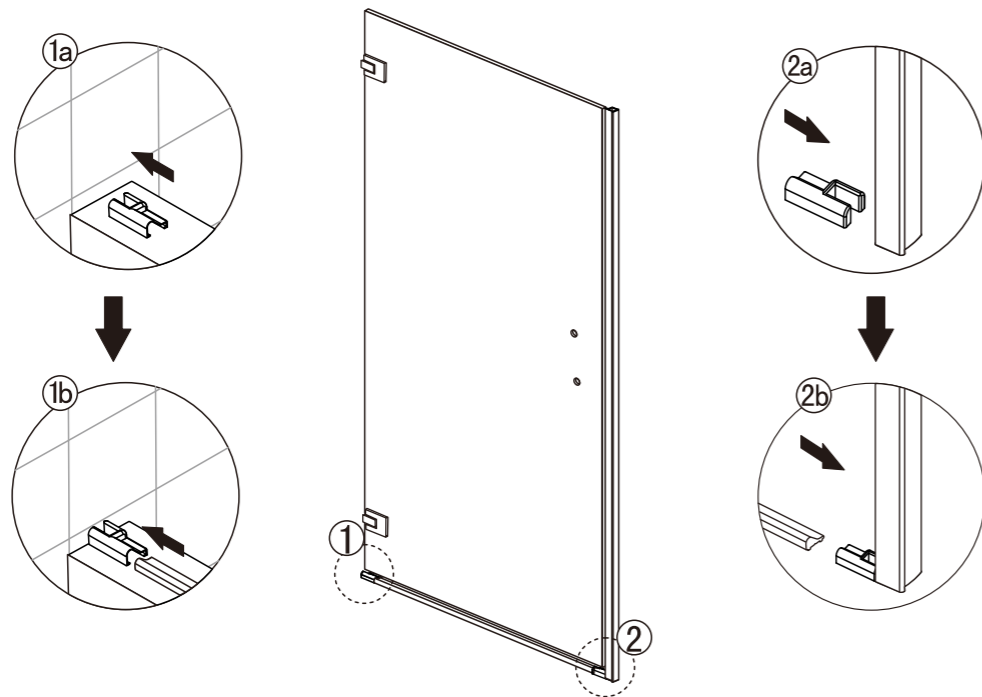


! Ensure wall profiles are plumb.
Adjust enclosure to be square and level.
Wheels should be adjusted to square the doors and ensure smooth running.

Step 2



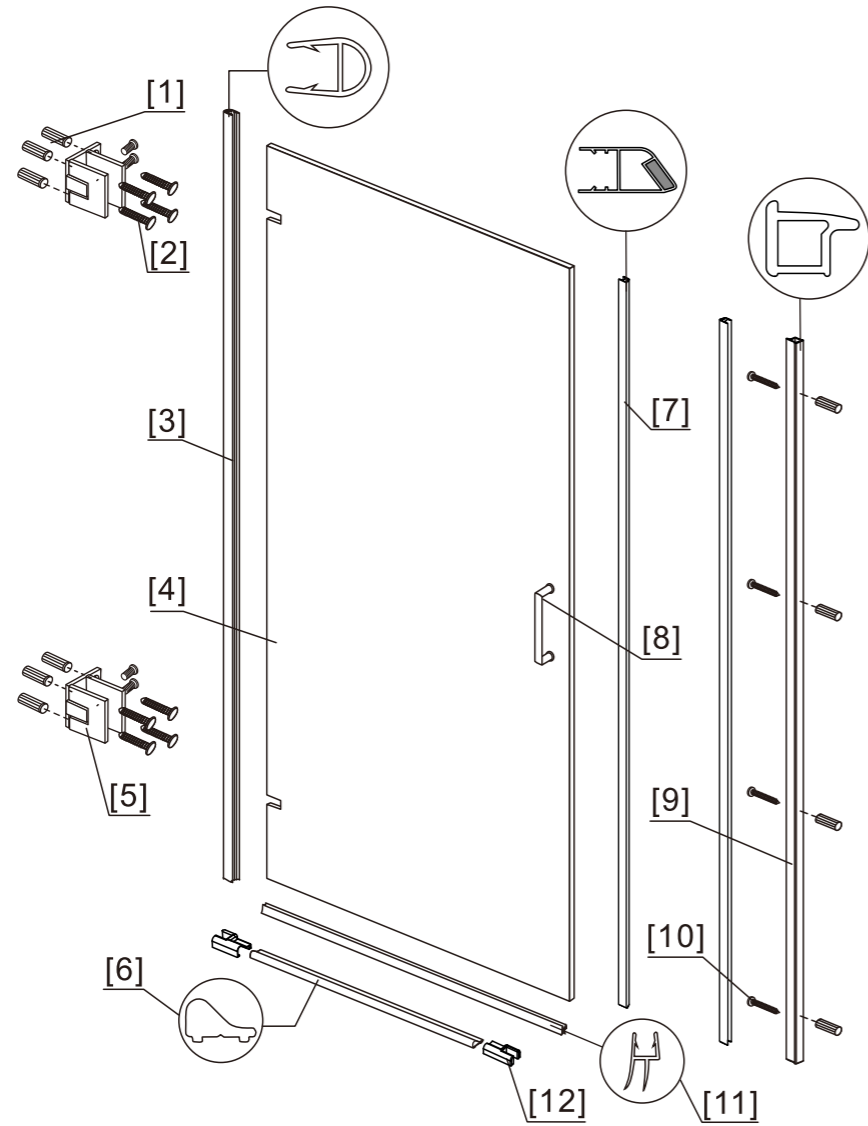
Step 3



◆ Box Contents

[1] 1xWall Post.	→		
[2] 1xInstallation Instruction.	→		
[3] 1xHandle Set.			
[4] 12xWall Plugs. 8xScrews M5x45. 4xRound Screws M4x35.	→		
[5] 2xHinges.	→		
[6] 1xDeflector. 1xWater Deflector.	→		
[7] 2xMagnetic Seals.	→		
[8] 1xAluminum Seal. 2xClips.	→		
[9] 1xDoor Panel.	→		

◆ Assembly Drawing



- | | |
|---------------------|---------------------------|
| [1] 12xWall Plugs | [7] 2xMagnetic Seals |
| [2] 8xScrews M5x45 | [8] 1xHandle Set |
| [3] 1xDeflector | [9] 1xWall Post |
| [4] 1xDoor Panel | [10] 4xRound Screws M4x35 |
| [5] 2xHinges | [11] 1xWater Deflector |
| [6] 1xAluminum Seal | [12] 2xClips |

◆ Installation Steps

Step 1

