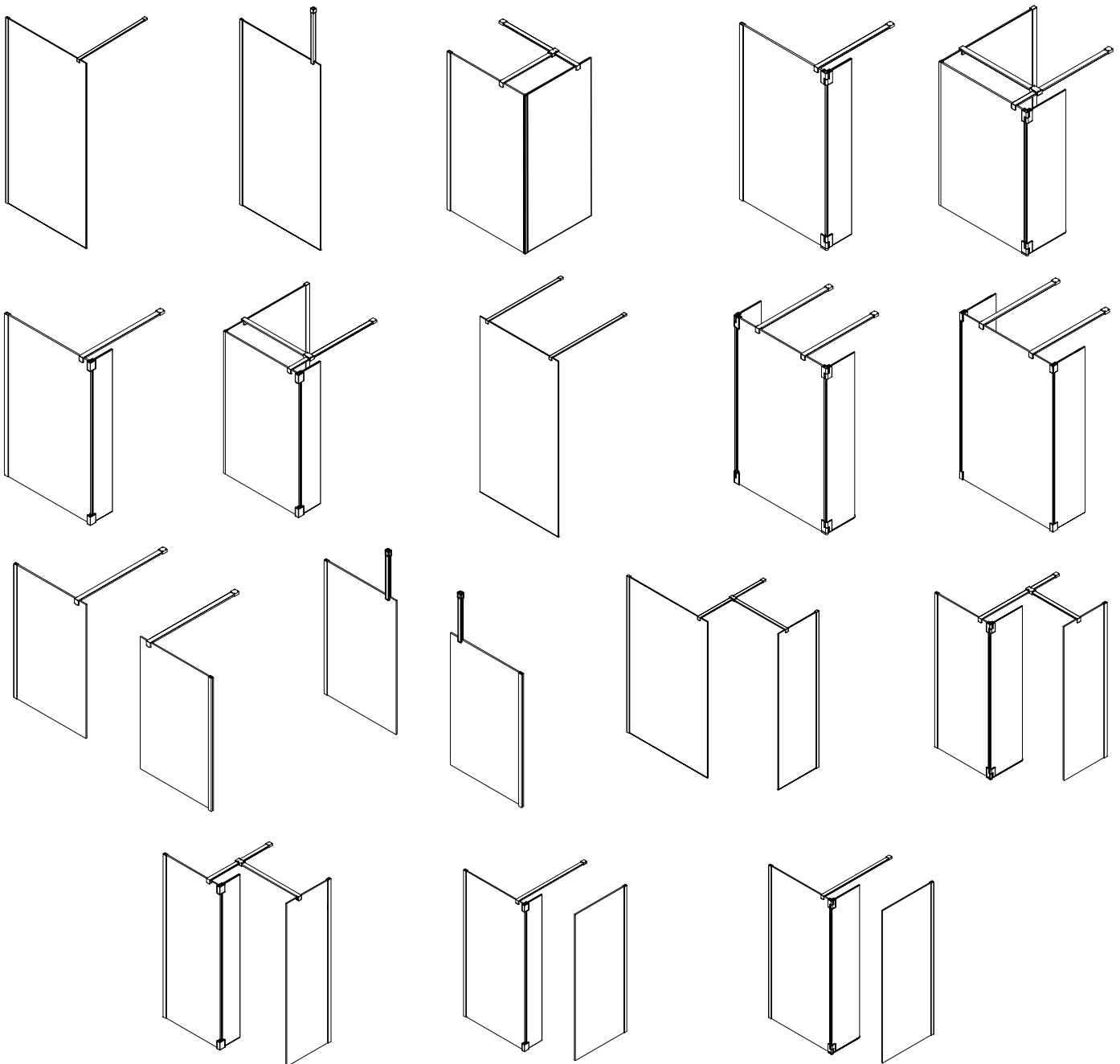


GALLERY WALK IN SYSTEM

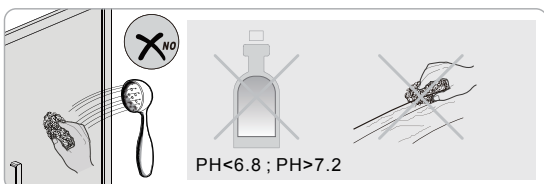
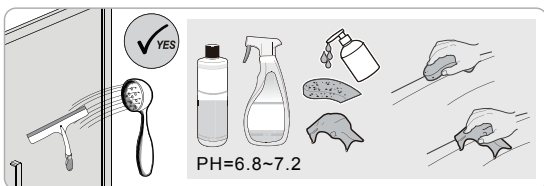
Manufactured to: BS EN 14428

IMPORTANT

BEFORE STARTING THE INSTALLATION ENSURE ALL THE DOOR SIZE MEASUREMENTS CORRESPOND WITH THE INSTALLATION AREA INCLUDING THE FINISHED TILED/PANELLED WALLS. RETURNS DUE TO INCORRECT SIZING WILL NOT BE ACCEPTED.



We recommend the entry width the above configurations is a minimum of 500mm



INSTALLATION INSTRUCTIONS

crosswater[®]
SHOWERING

IMPORTANT - Please read before installation

Please read these instructions carefully before starting installation and keep in a safe place for future reference.

Check the contents of the pack carefully before installation. Crosswater will not be held responsible for any de-fit / re-fit costs where faulty product has been fitted.

If any fault is found with materials or workmanship, it must be reported immediately to the manufacturer. Remedial action will be taken, based on information received, on condition that:

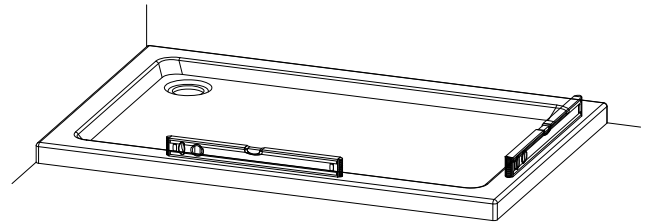
1. Full details are supplied to the manufacturer;
2. The enclosure has not been modified or tampered with;
3. The manufacturer is informed of any damage/shortages prior to installation.

We do not accept responsibility for any problems that may occur through incorrect installation.

The success of the installation and operation of any shower enclosure is, of course, dependant on the squareness, alignment and construction of the walls to which fixing is to be carried out.

VERY IMPORTANT

You must complete all tiling and grouting, and the shower tray **MUST** be level and fully sealed to the tiles before installation. If you do not fit the enclosure onto a tiled surface, or seal the tiles to the tray before installation, water may soak into the wall behind the wall profiles.



INSTALLATION - Advise and safety

The installation instructions are based on typical use and conditions.

These hints have been prepared for your guidance, you must exercise due care at all times.

For Health and Safety 2 people must carry out the installation of this enclosure.

Handle glass with care. Although the glass supplied is toughened safety glass(EN12150), impacts can damage both the glass and the frame.

Warning!

Please check for any hidden pipes or cables before drilling holes in the wall.

When using power tools always follow the manufacturers user instructions.

If the Framework is sealed to the tray on the inside, any water that may get into the framework will not be able to drain back into the tray, this may cause the enclosure to leak.

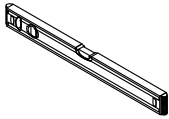

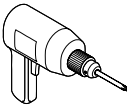
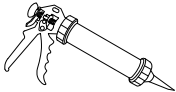

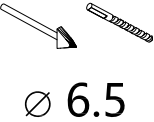
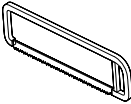
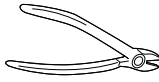
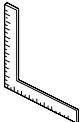
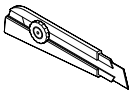

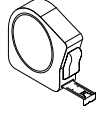
Leave the silicone sealant to dry for 24 hours before using the enclosure.

CARE AND CLEANING

Do not use solvents or abrasive material or chemicals to clean the enclosure.

Only clean using soapy water and soft cloth, rinse thoroughly afterwards.

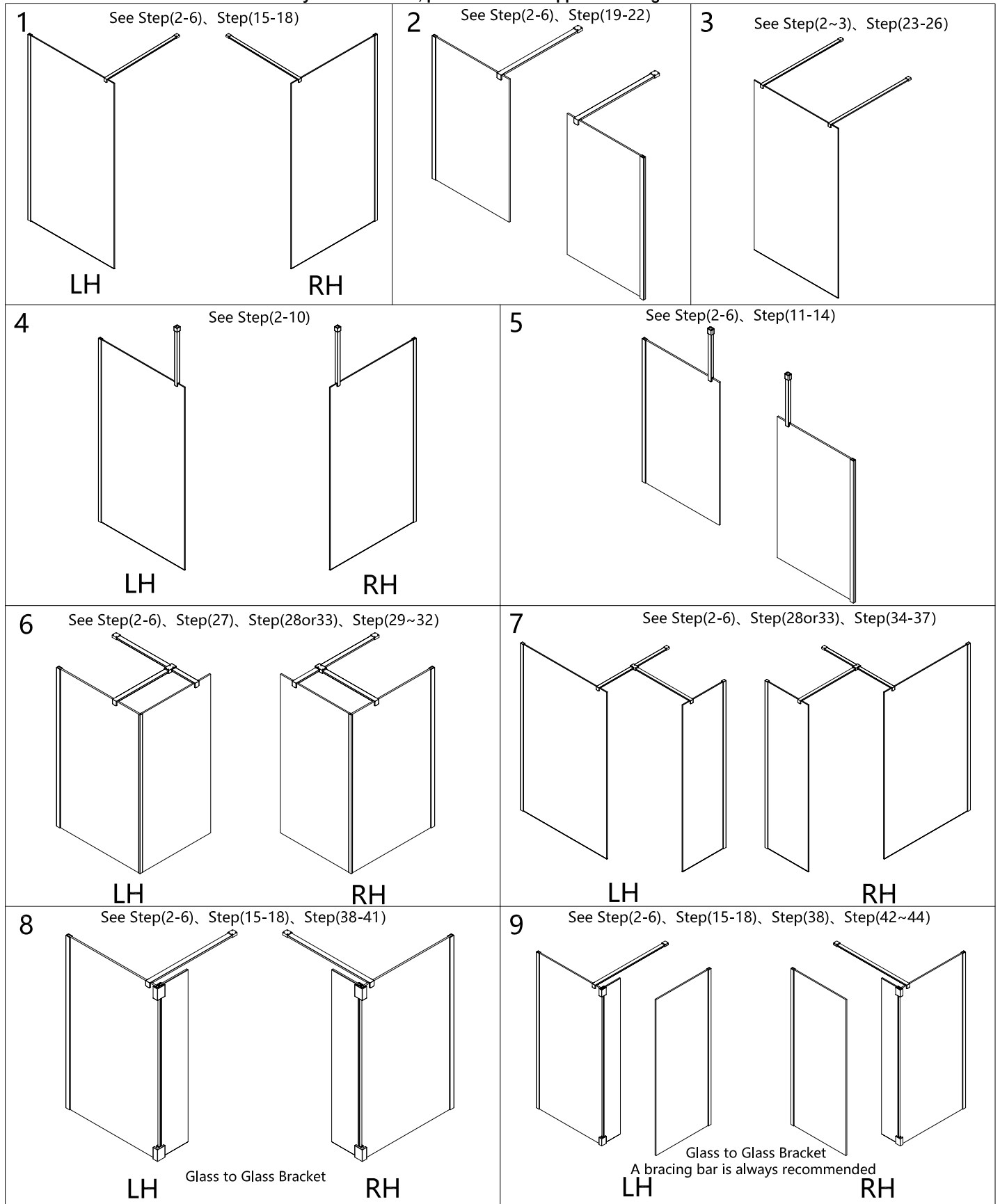
Installation tool

INSTALLATION - Left and Right hand (All doors are 2000mm high)

This product is reversible for left or right hand opening.
Please follow the diagram, and detail below for your choice of installation.

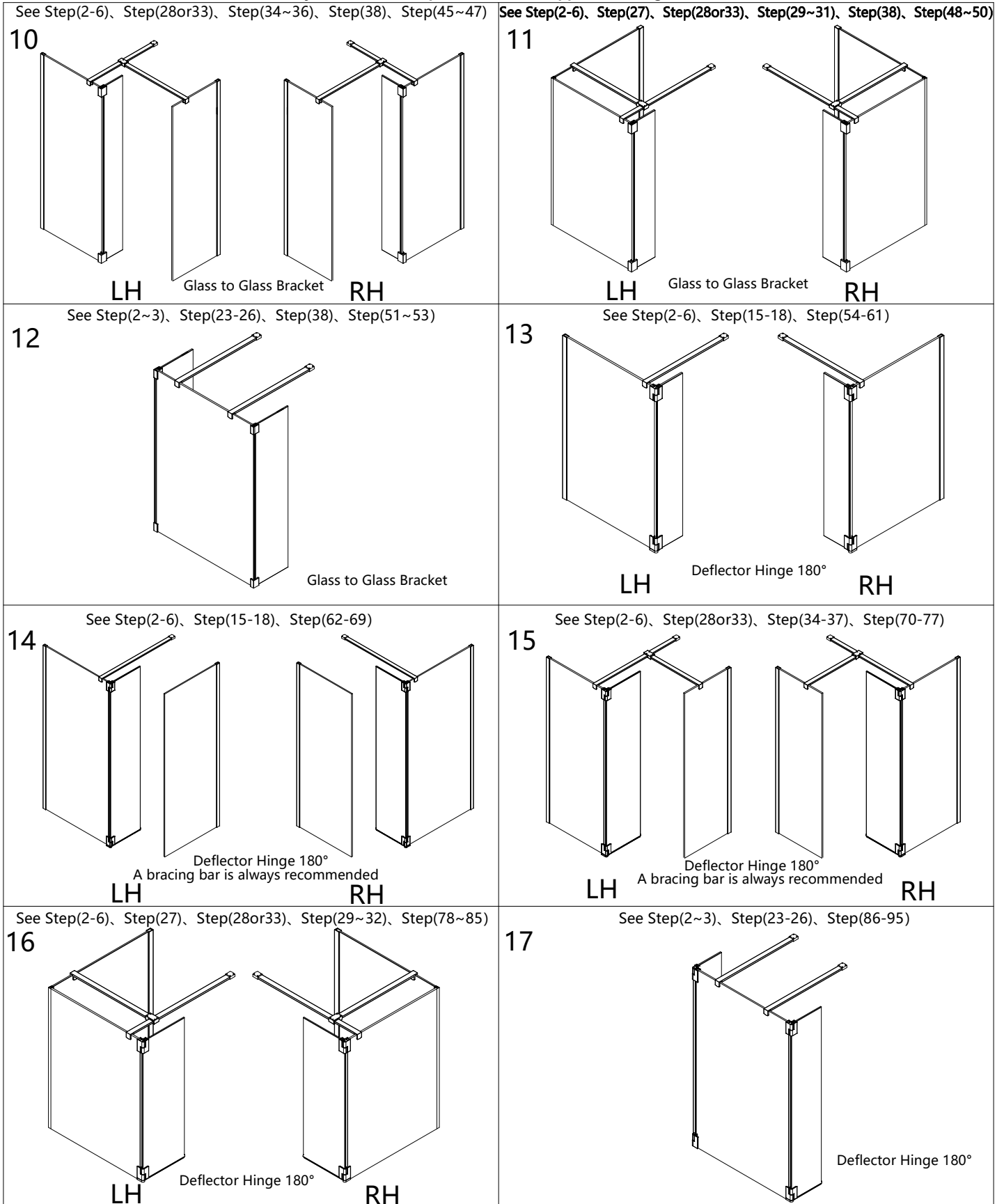
Note: Crosswater Clear must always on the inside, please see label applied to the glass.



INSTALLATION - Left and Right hand (All doors are 2000mm high)

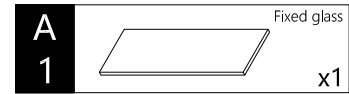
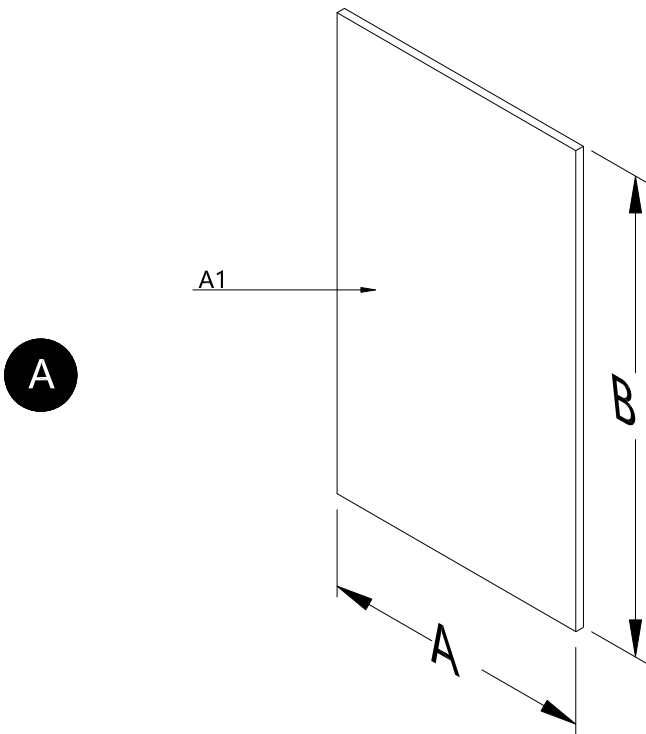
This product is reversible for left or right hand opening.
Please follow the diagram, and detail below for your choice of installation.

Note: Crosswater Clear must always be on the inside, please see label applied to the glass.



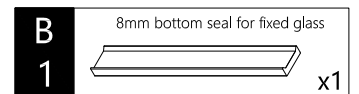
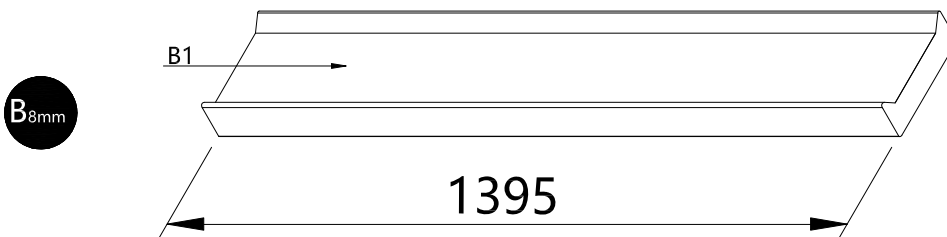
Components

Fixed glass

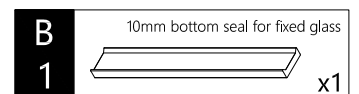
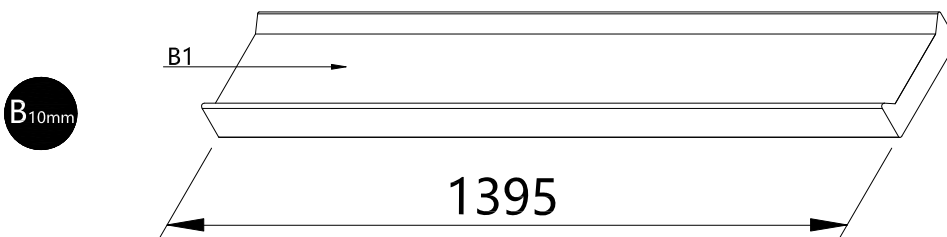


Code	A(mm)	B(mm)
GR030010CF+	255	1997
GR040010CF+	355	1997
GR050010CF+	455	1997
GR060010CF+	555	1997
GR070010CF+	655	1997
GR076010CF+	715	1997
GR080010CF+	755	1997
GR090010CF+	855	1997
GR100010CF+	955	1997
GR110010CF+	1055	1997
GR120010CF+	1155	1997
GR140010CF+	1355	1997

Bottom seal for fixed glass (GRSEAL1400X8)

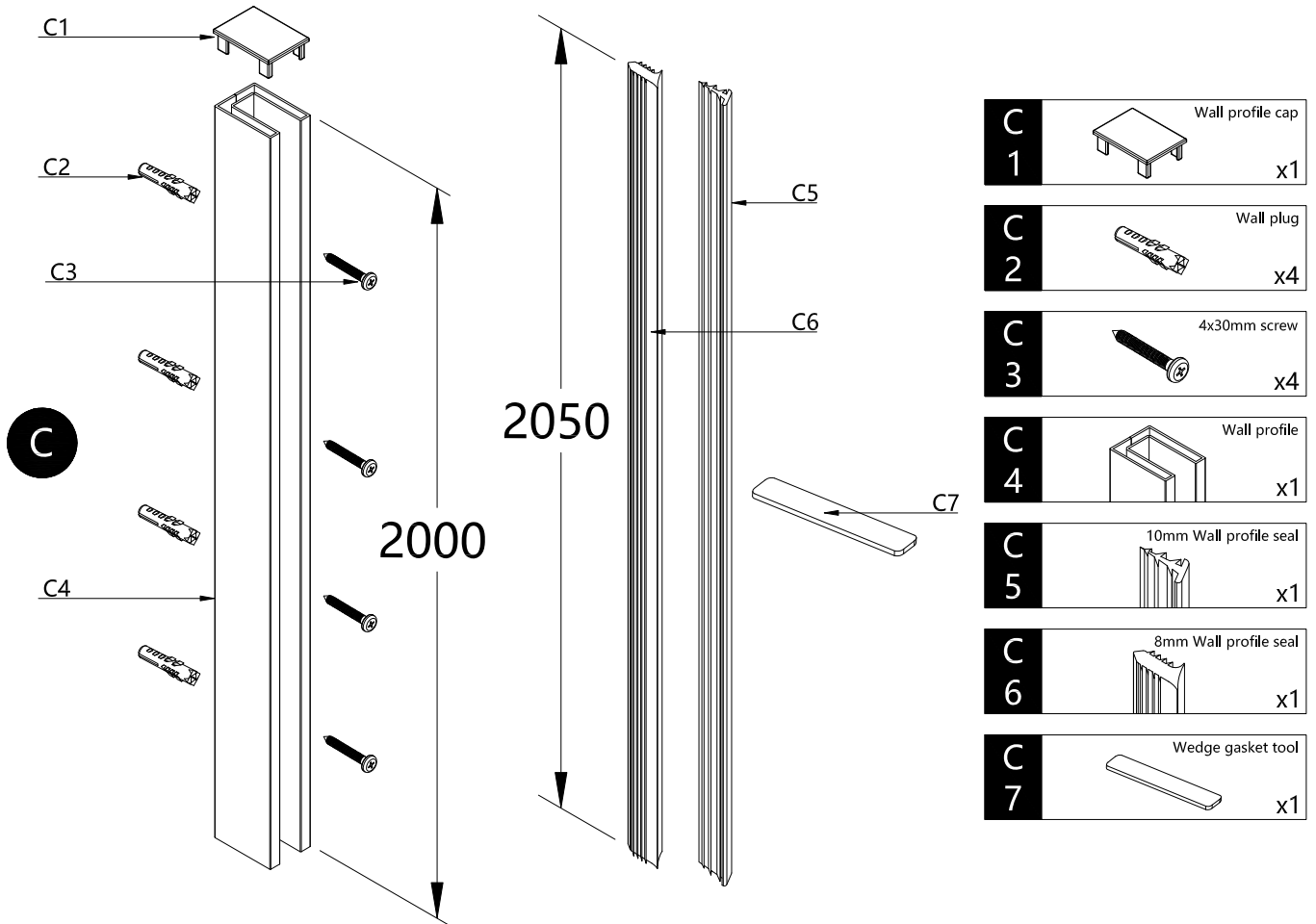


Bottom seal for fixed glass (GRSEAL1400X10)

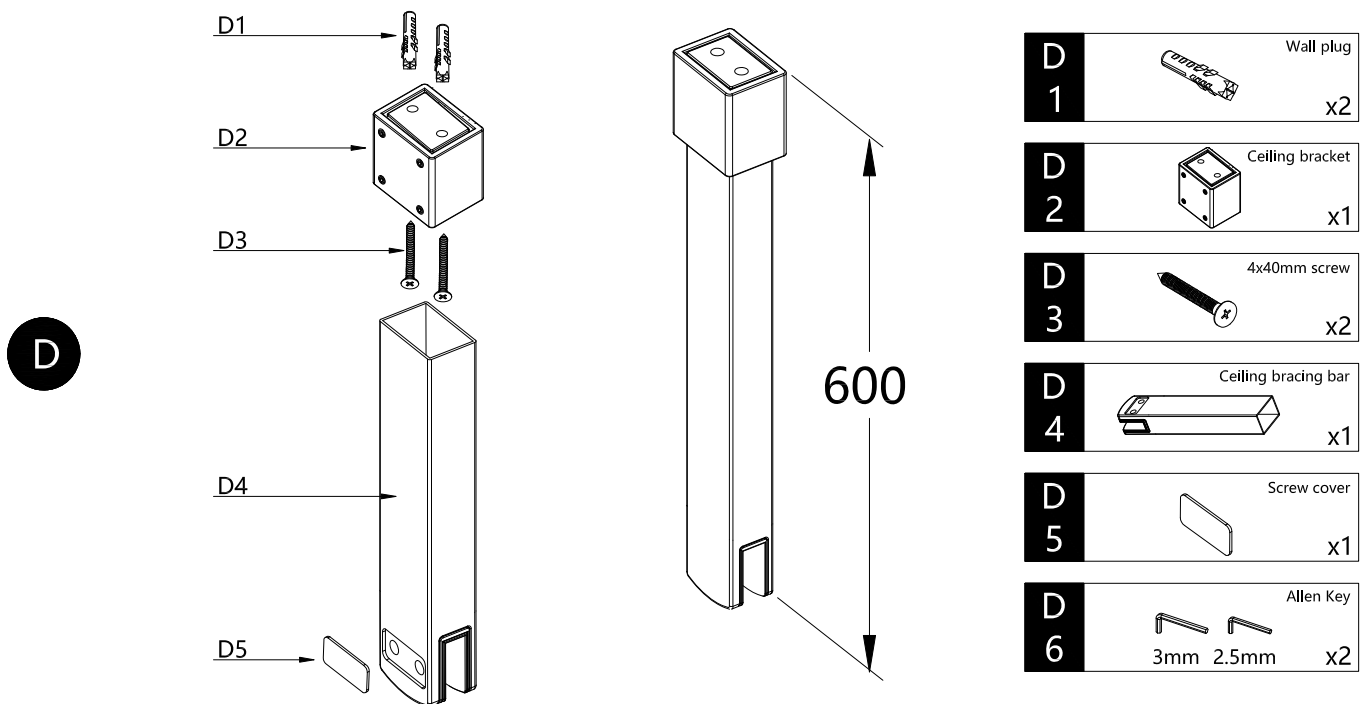


Components

Wall profile (GRPROFILESS) (GRPROFILEV) (GRPROFILEF) (GRPROFILEMB)



Ceiling to glass bracing bar (GRCEILBRACEPSS) (GRCEILBRACEV) (GRCEILBRACEF) (GRCEILBRACEMB)



Components

Glass to Wall Bracing Bar (GRBRACEPSS) (GRBRACEV) (GRBRACEF) (GRBRACEMB)

E

E1: Wall plug
E2: Wall bracket
E3: 5x45mm screw
E4: Straight bracing bar
E5: Screw cover
E6: Allen Key (3mm, 2.5mm)

1190

E 1		Wall plug	x1
E 2		Wall bracket	x1
E 3		5x45mm screw	x1
E 4		Straight bracing bar	x1
E 5		Screw cover	x1
E 6		Allen Key 3mm 2.5mm	x2

Glass to glass seal (GRSEAL2000X8)

F_{8mm}

F1

2000

F 1		8mm Glass to glass seal	x1
---------------	--	-------------------------	----

Glass to glass seal (GRSEAL2000X10)

F_{10mm}

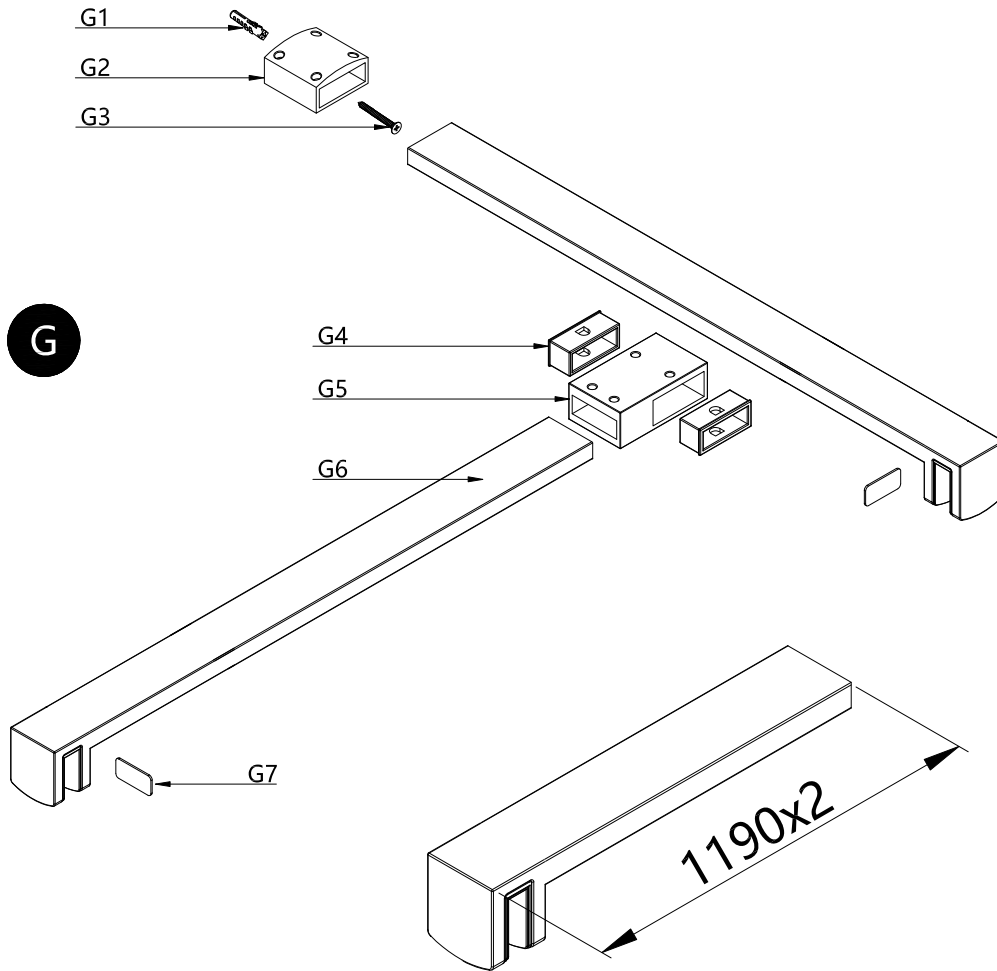
F1


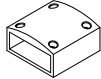

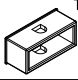
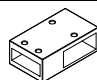
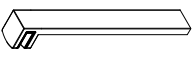


2000

F 1		10mm Glass to glass seal	x1
---------------	--	--------------------------	----

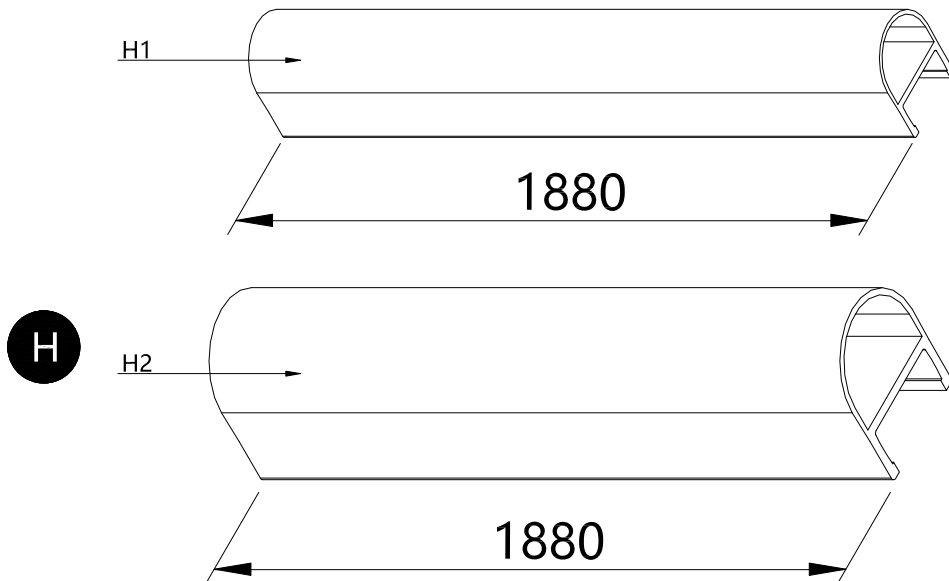
Components

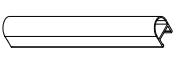
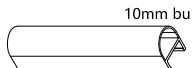
T bracing bar (GRTBRACEPSS) (GRTBRACEV) (GRTBRACEF) (GRTBRACEMB)



- G 1**  Wall plug x1
- G 2**  Wall bracket x1
- G 3**  5x45mm screw x1
- G 4**  T connector washer x2
- G 5**  T connector x1
- G 6**  Straight bracing bar x2
- G 7**  Screw cover x2
- G 8**  Allen Key 3mm 2.5mm x2

Bubble seal (GRBUBBLESEAL)

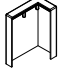
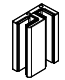

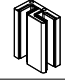



- H 1**  8mm bubble seal x1
- H 2**  10mm bubble seal x1

Components


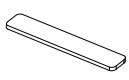
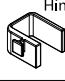
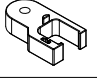


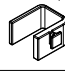
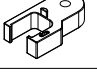
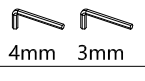
Glass to Glass Bracket (GRBRACKPSS) (GRBRACKV) (GRBRACKF) (GRBRACKMB)

I

I 1		Corner bracket cover L x1
I 2		Corner bracket L x1
I 3		Corner bracket cover R x1
I 4		Corner bracket R x1
I 5		Allen Key 4mm x1

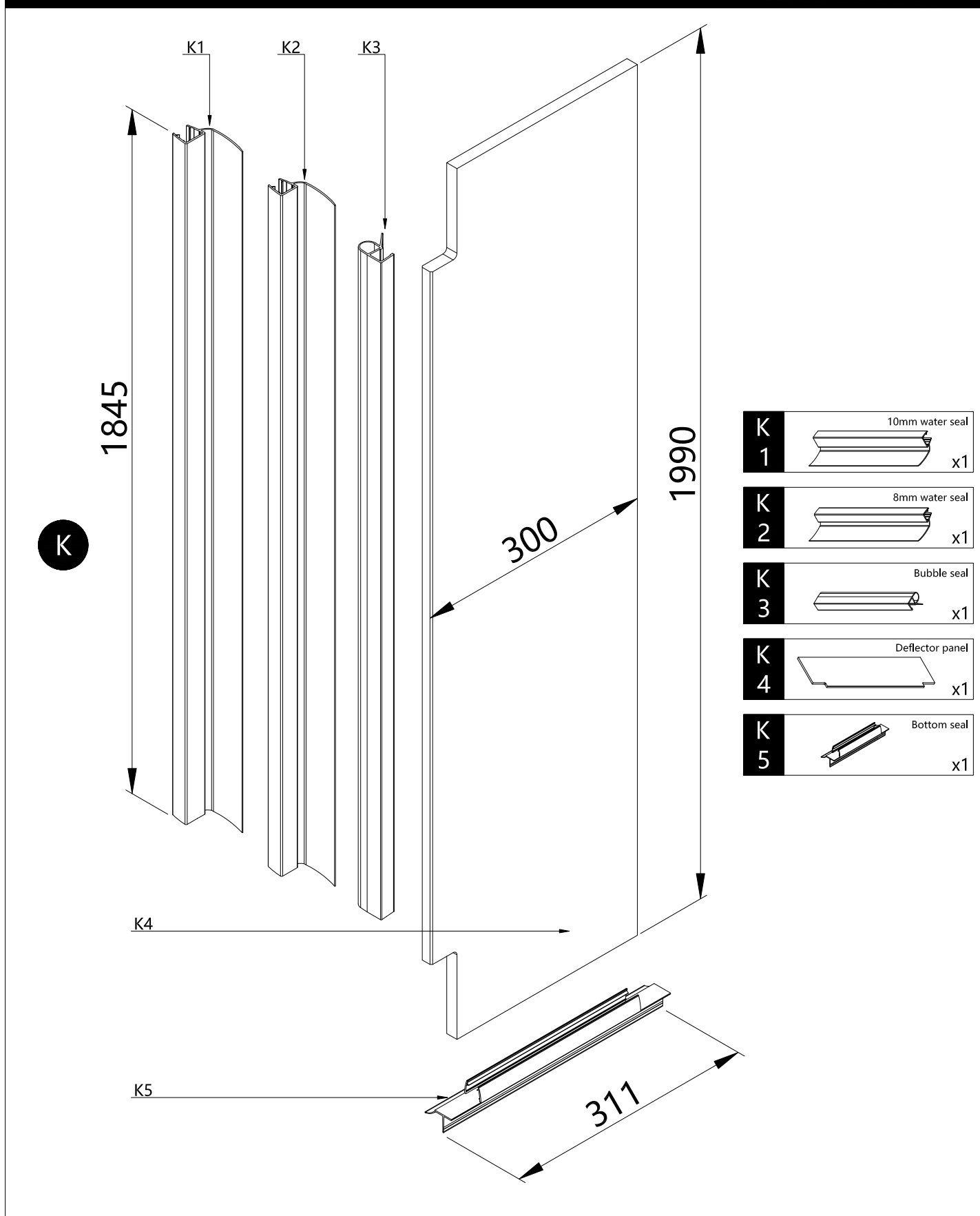
Deflector Hinge 180° (GRDEFHINGEPSS) (GRDEFHINGEV) (GRDEFHINGEF) (GRDEFHINGEMB)

J

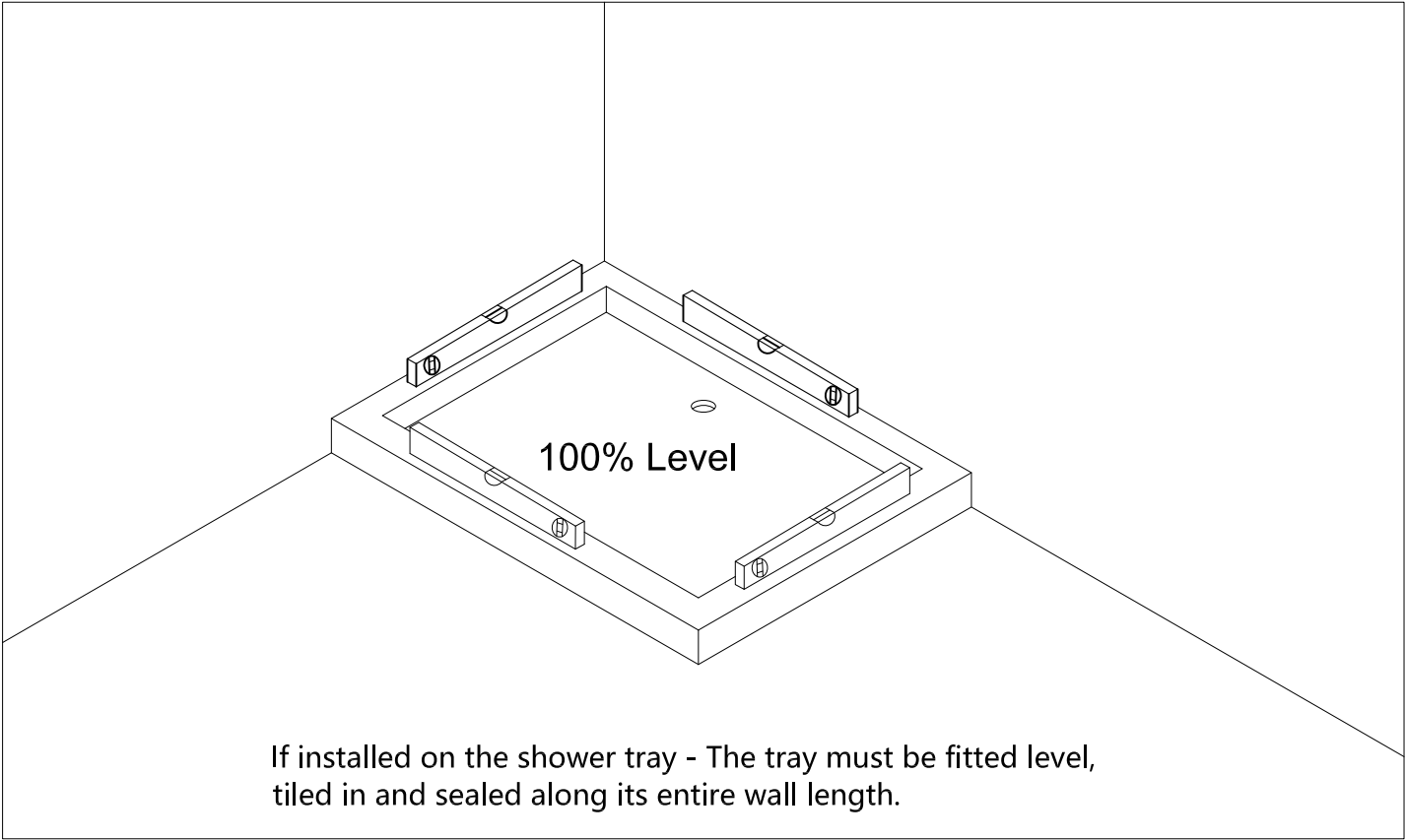
J 1		Deflector hinge L x1
J 2		Screw cover x4
J 3		Hinge seat cover L x1
J 4		Hinge seat L x1
J 5		5x12mm screw x1
J 6		Deflector hinge R x1
J 7		Hinge seat cover R x1
J 8		Hinge seat R x1
J 9		Allen Key 4mm 3mm x1

Components

Deflector Panel with seals (GRDEFLEC300)



Step 1



Step 2

1A

A1

A

Crosswater Clear

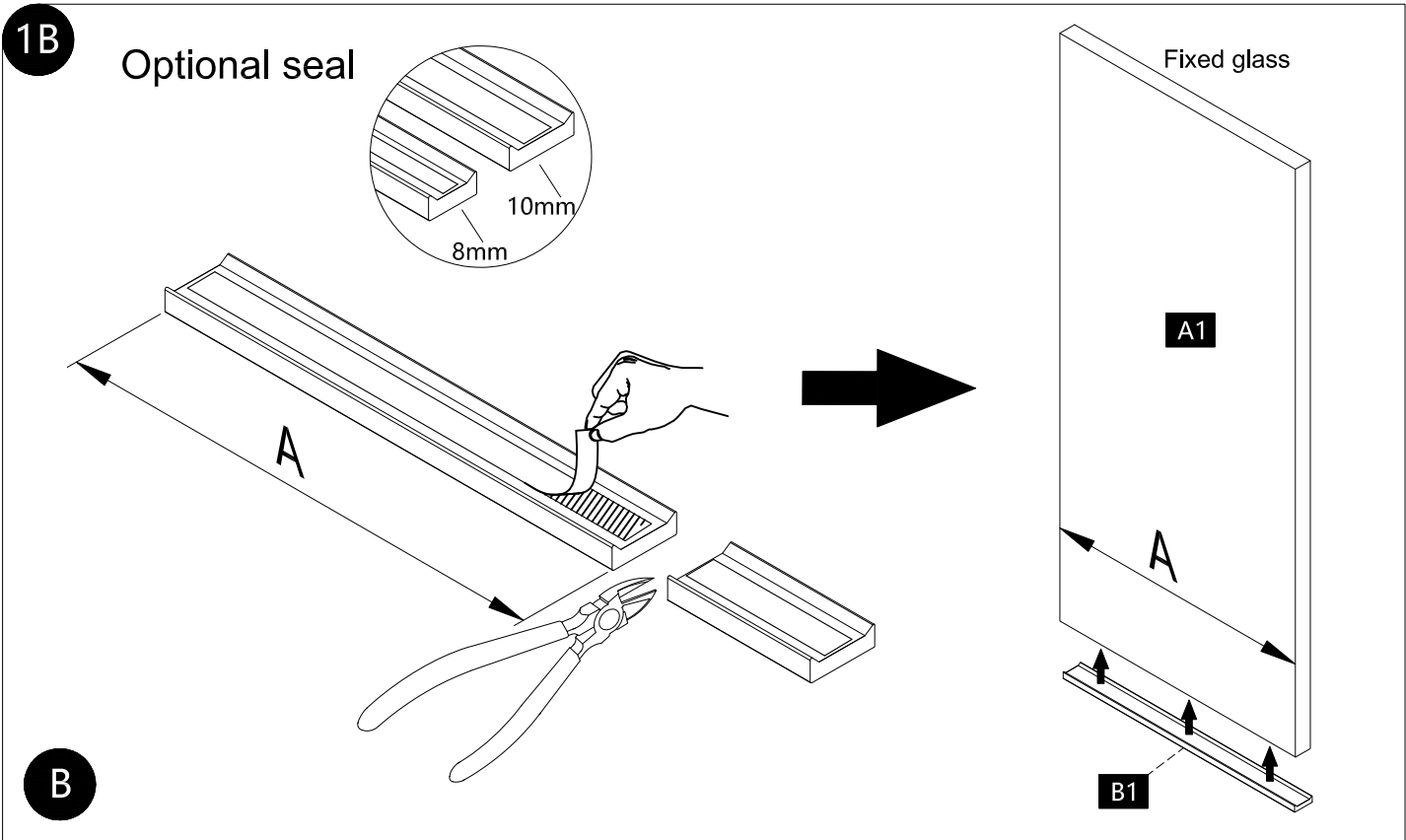
EASY CLEAN GLASS

Fixed glass

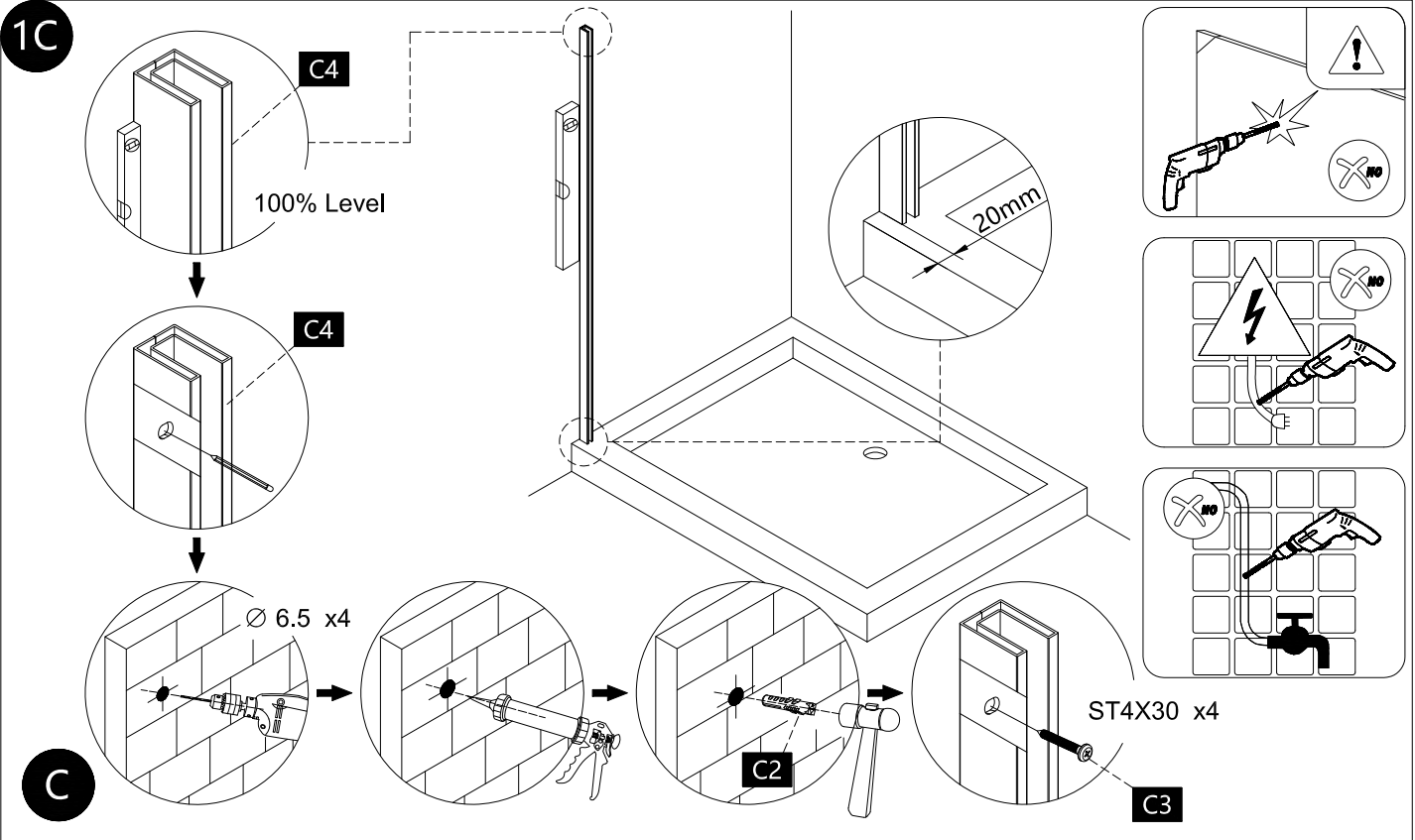
Code	A(mm)
GR030010CF+	255
GR040010CF+	355
GR050010CF+	455
GR060010CF+	555
GR070010CF+	655
GR076010CF+	715
GR080010CF+	755
GR090010CF+	855
GR100010CF+	955
GR110010CF+	1055
GR120010CF+	1155
GR140010CF+	1355

A

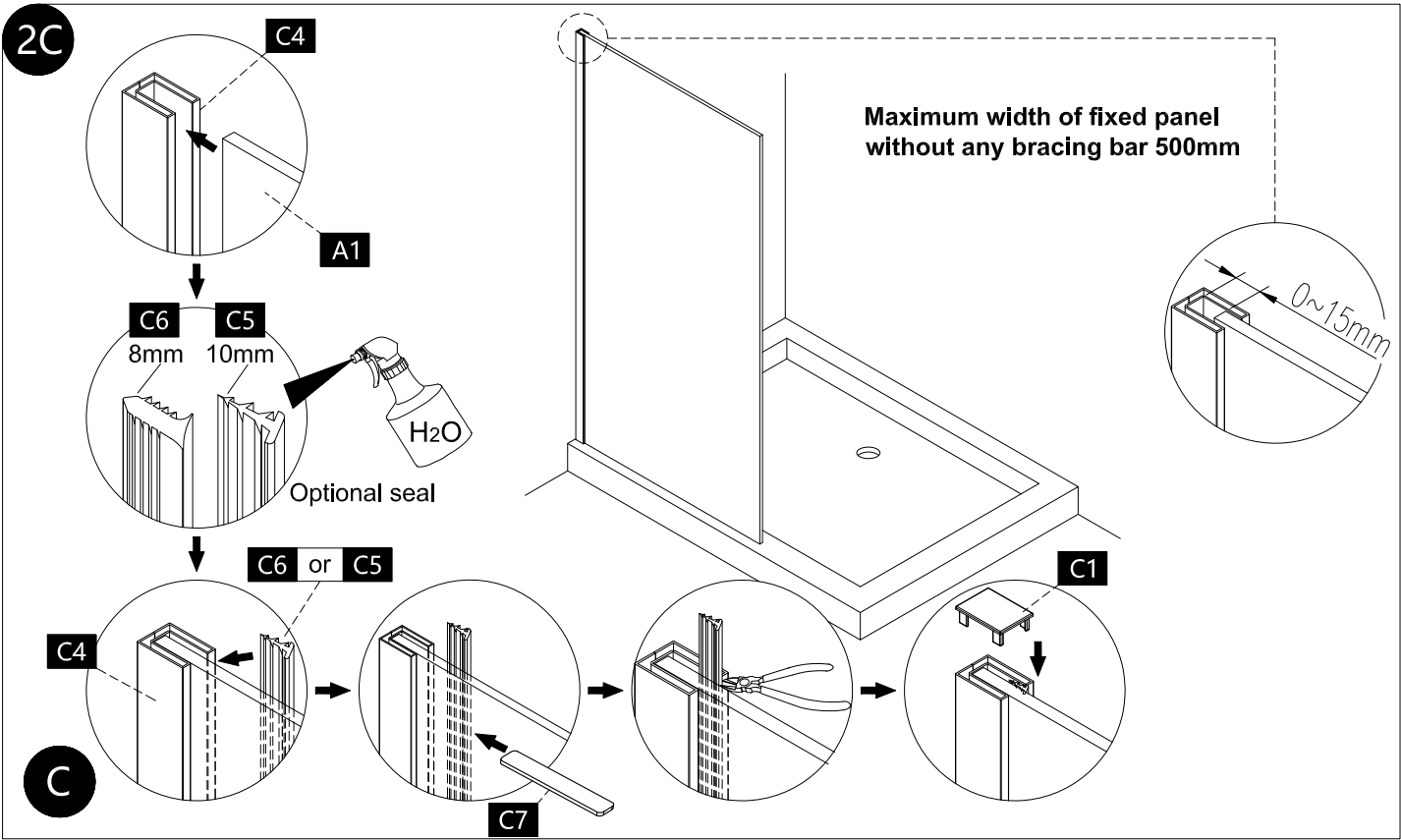
Step 3



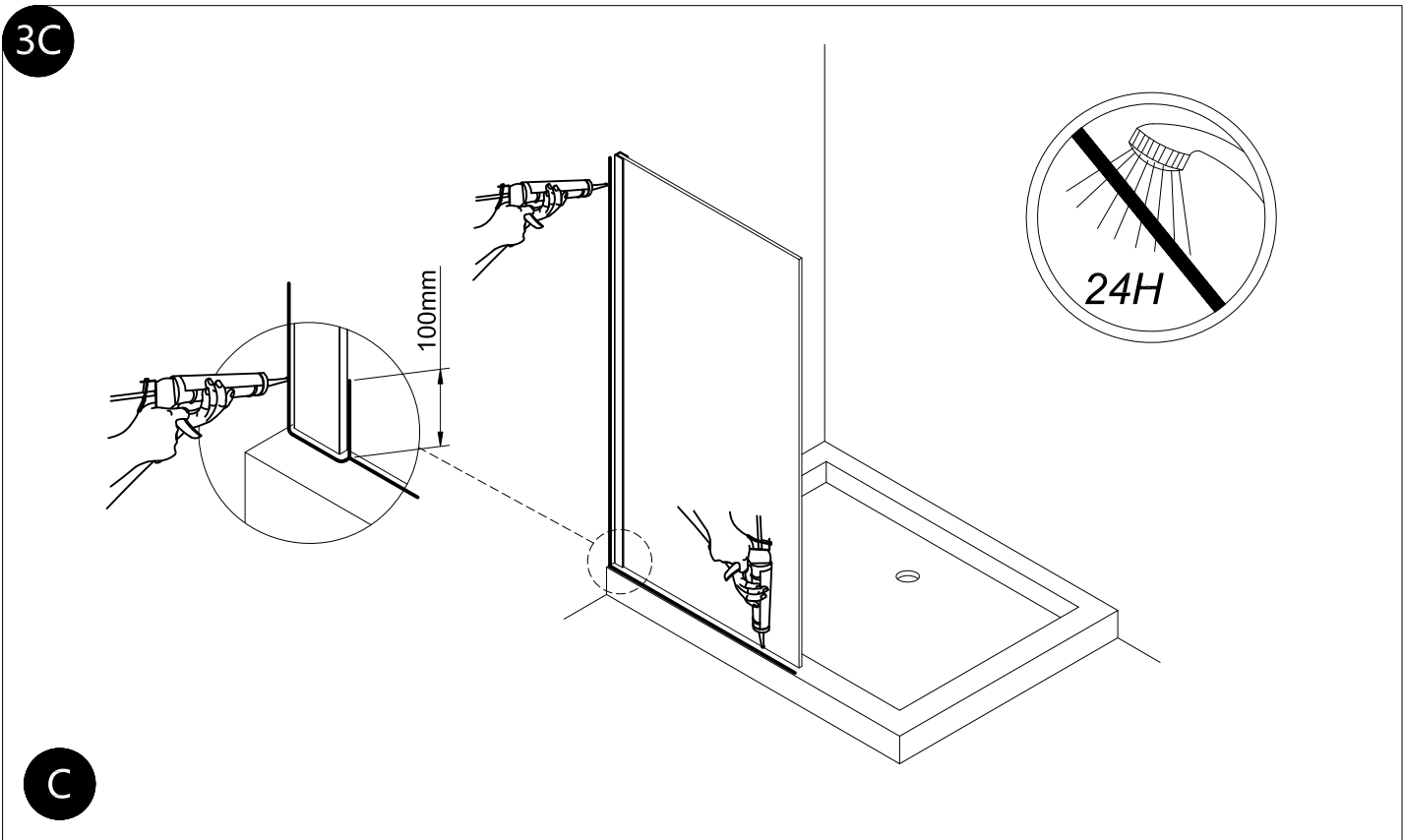
Step 4



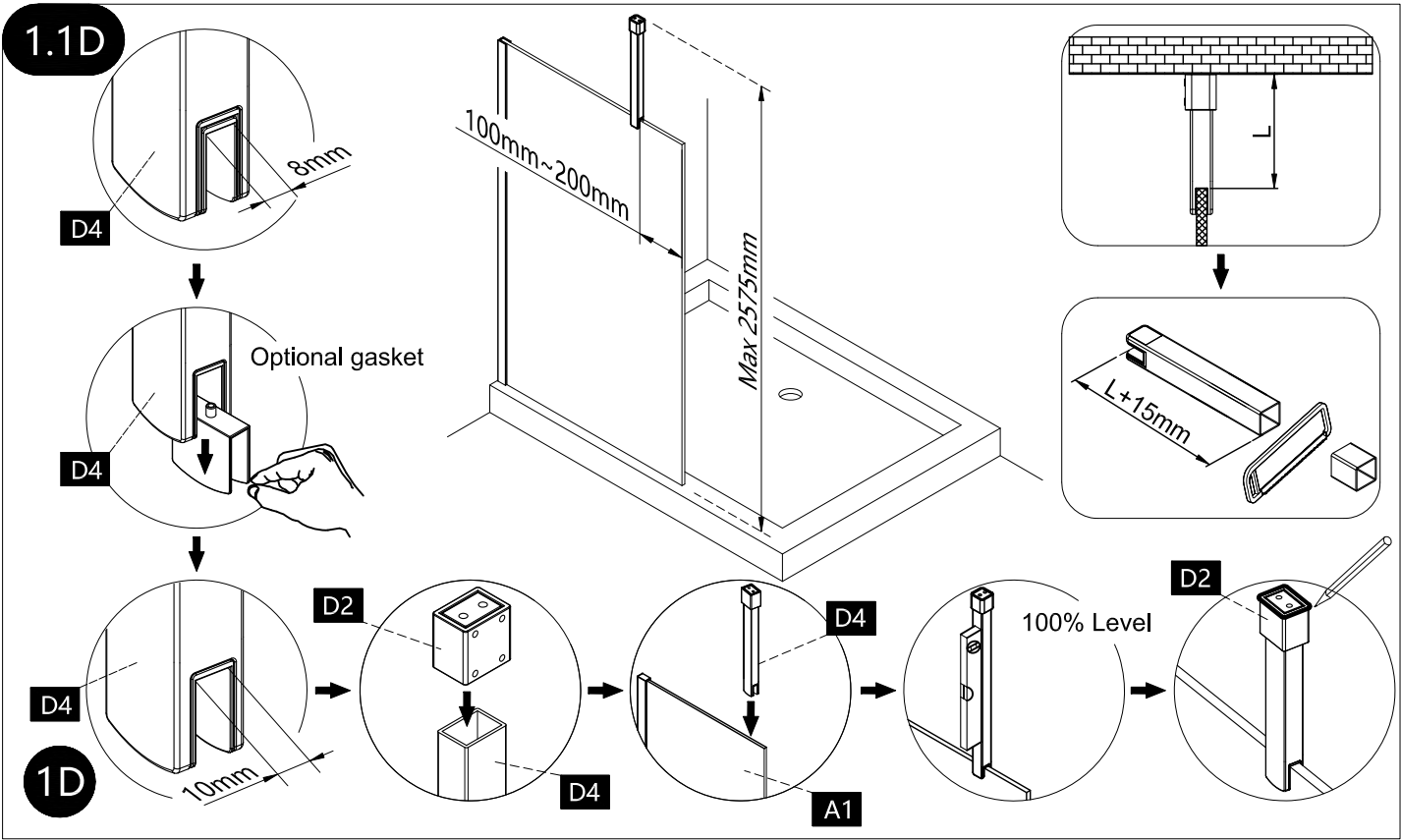
Step 5



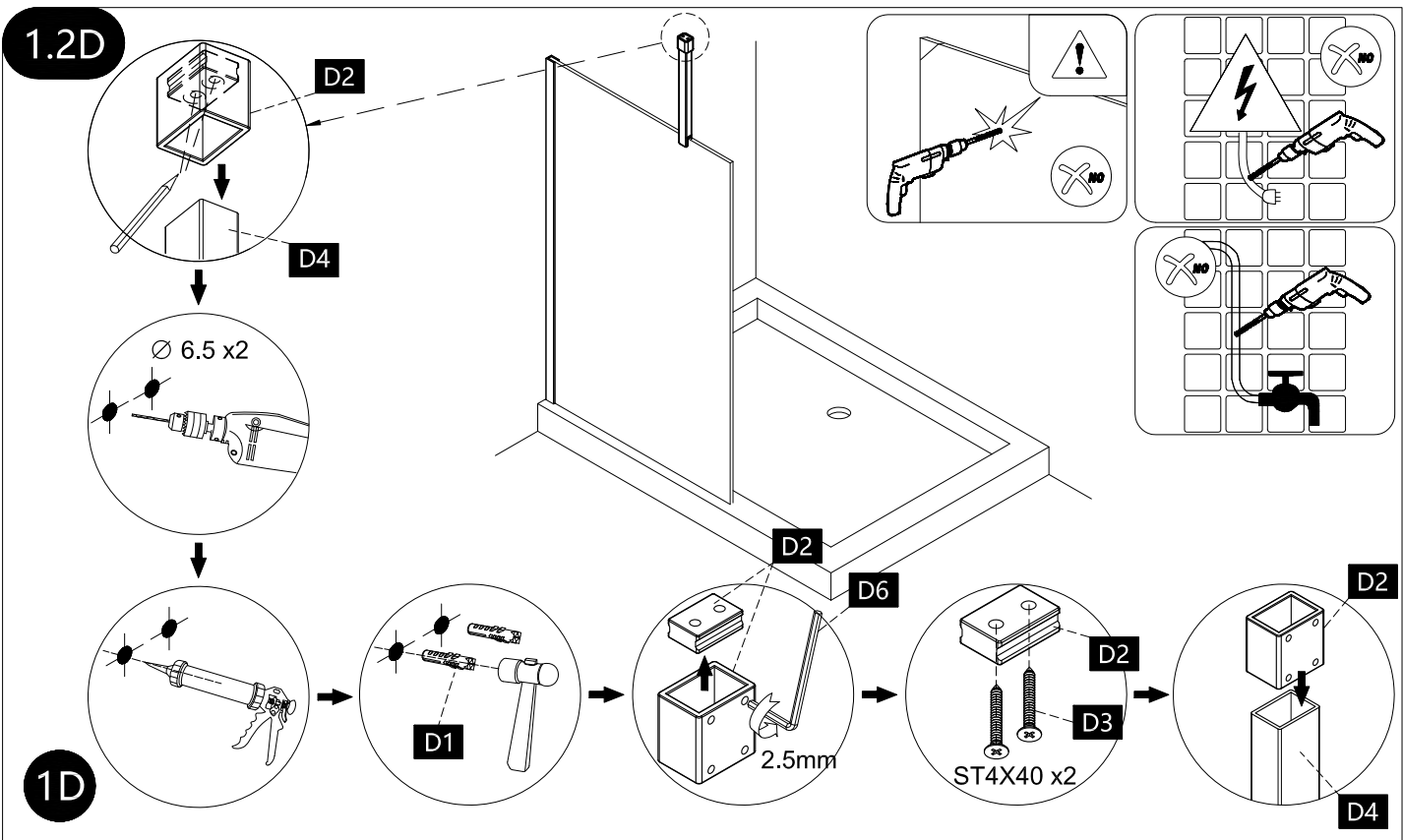
Step 6



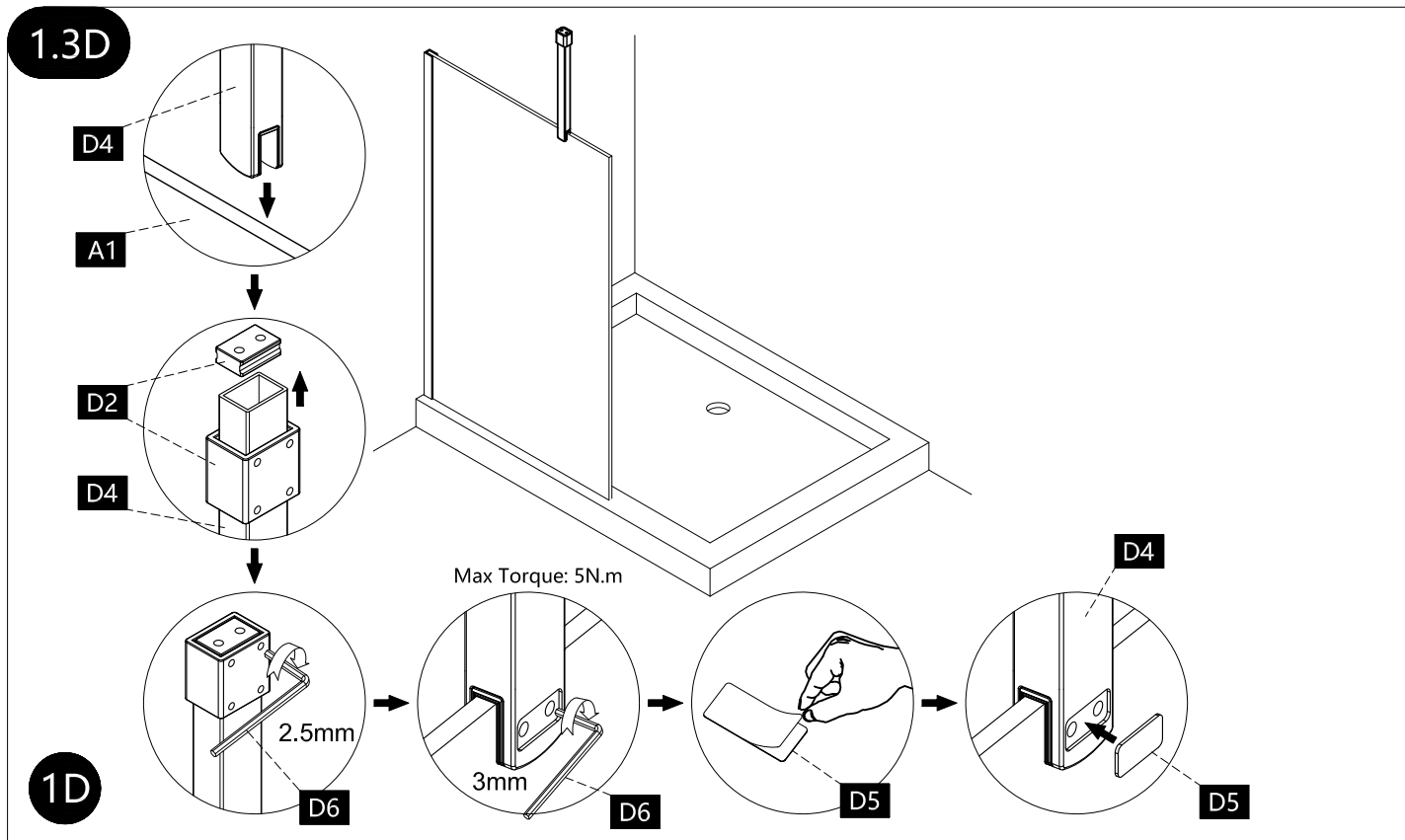
Step 7 Fitting Ceiling to glass bracing bar



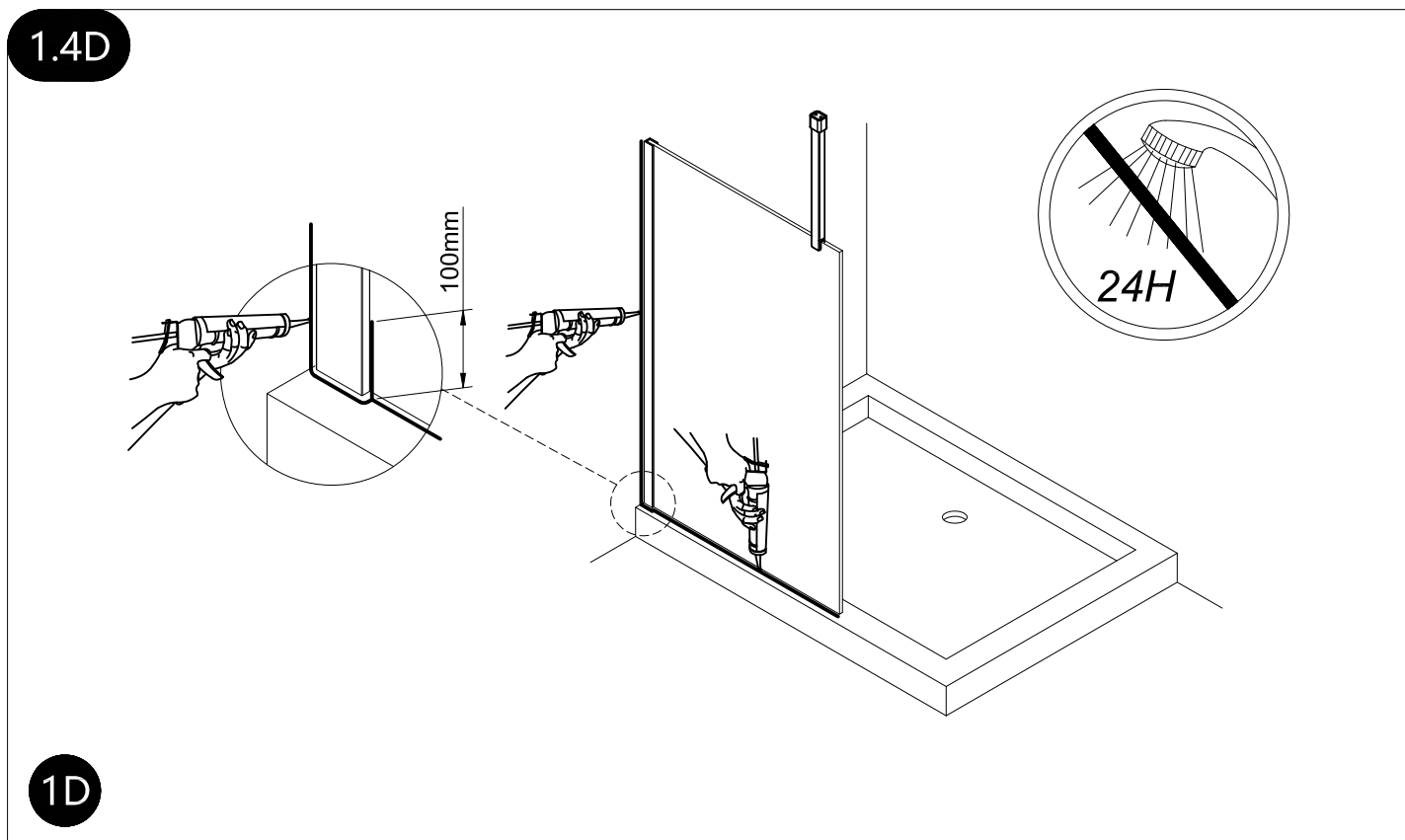
Step 8



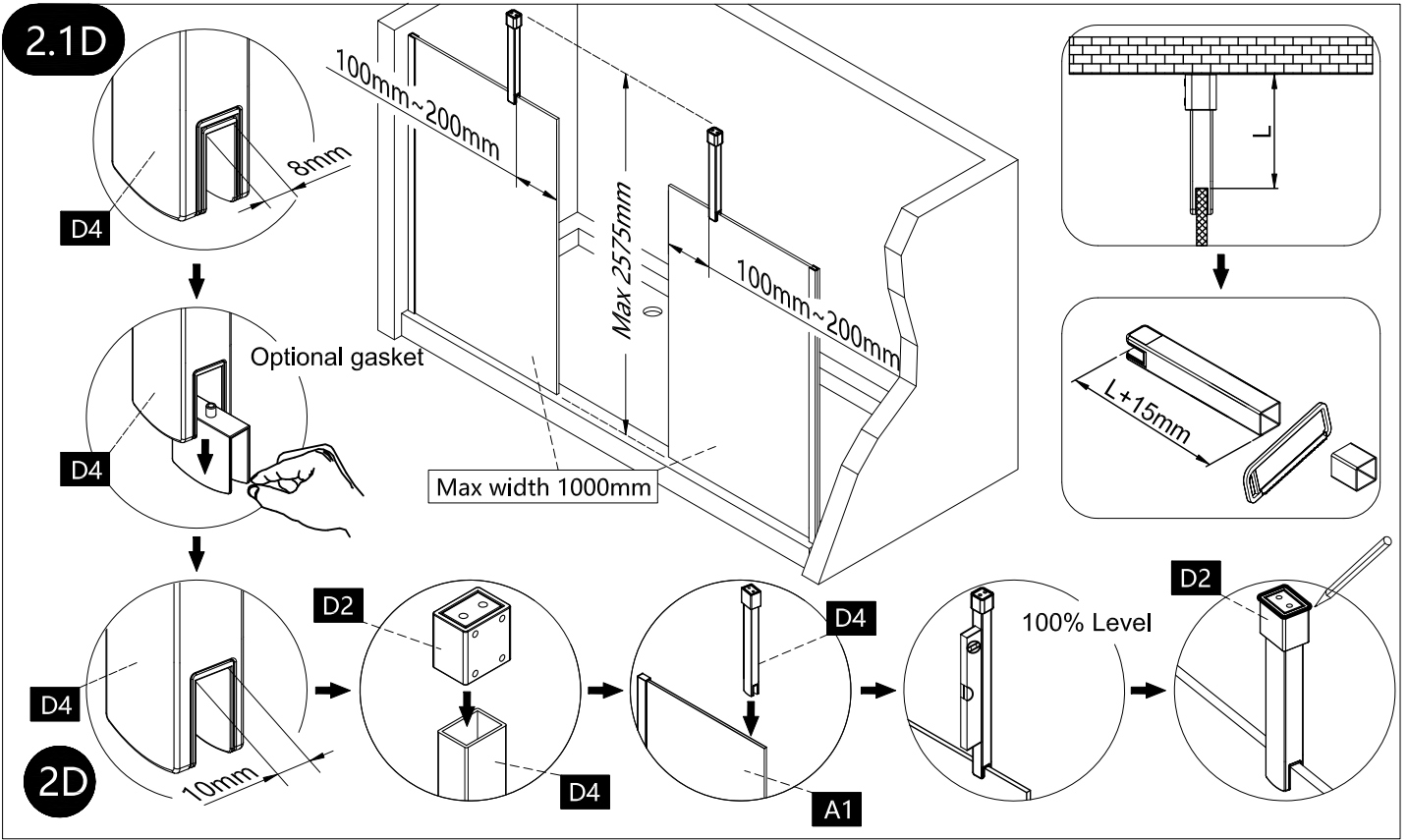
Step 9



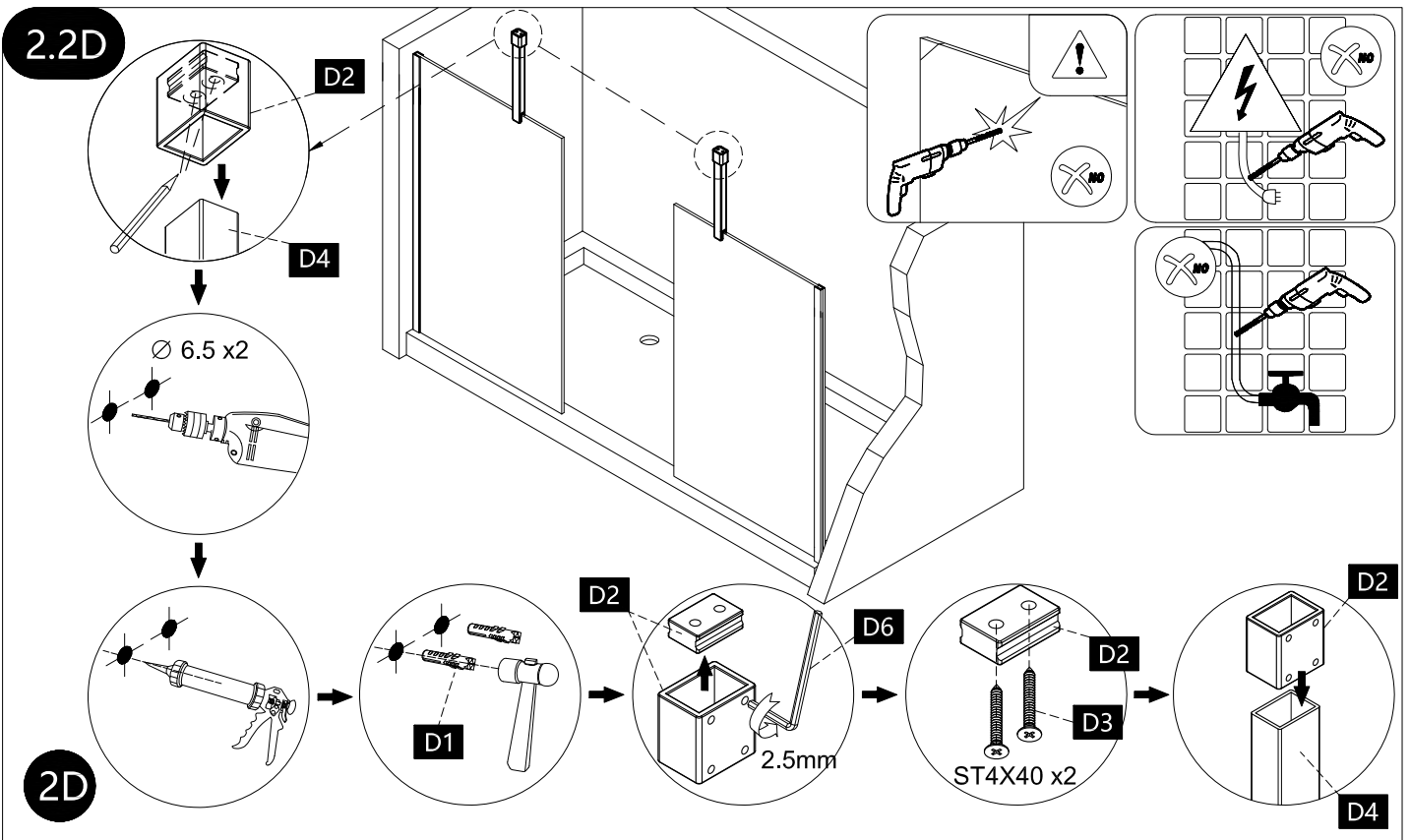
Step 10



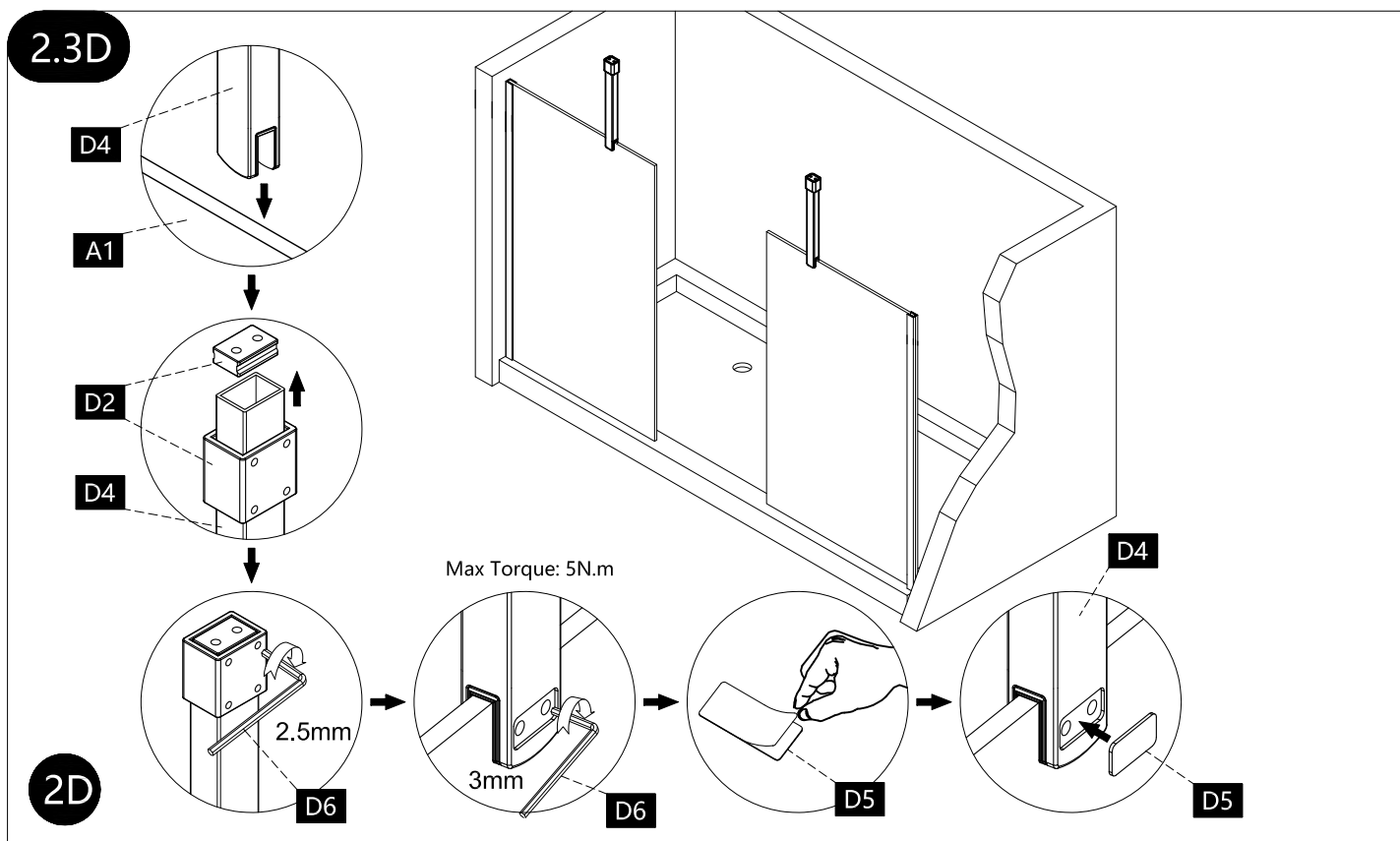
Step 11



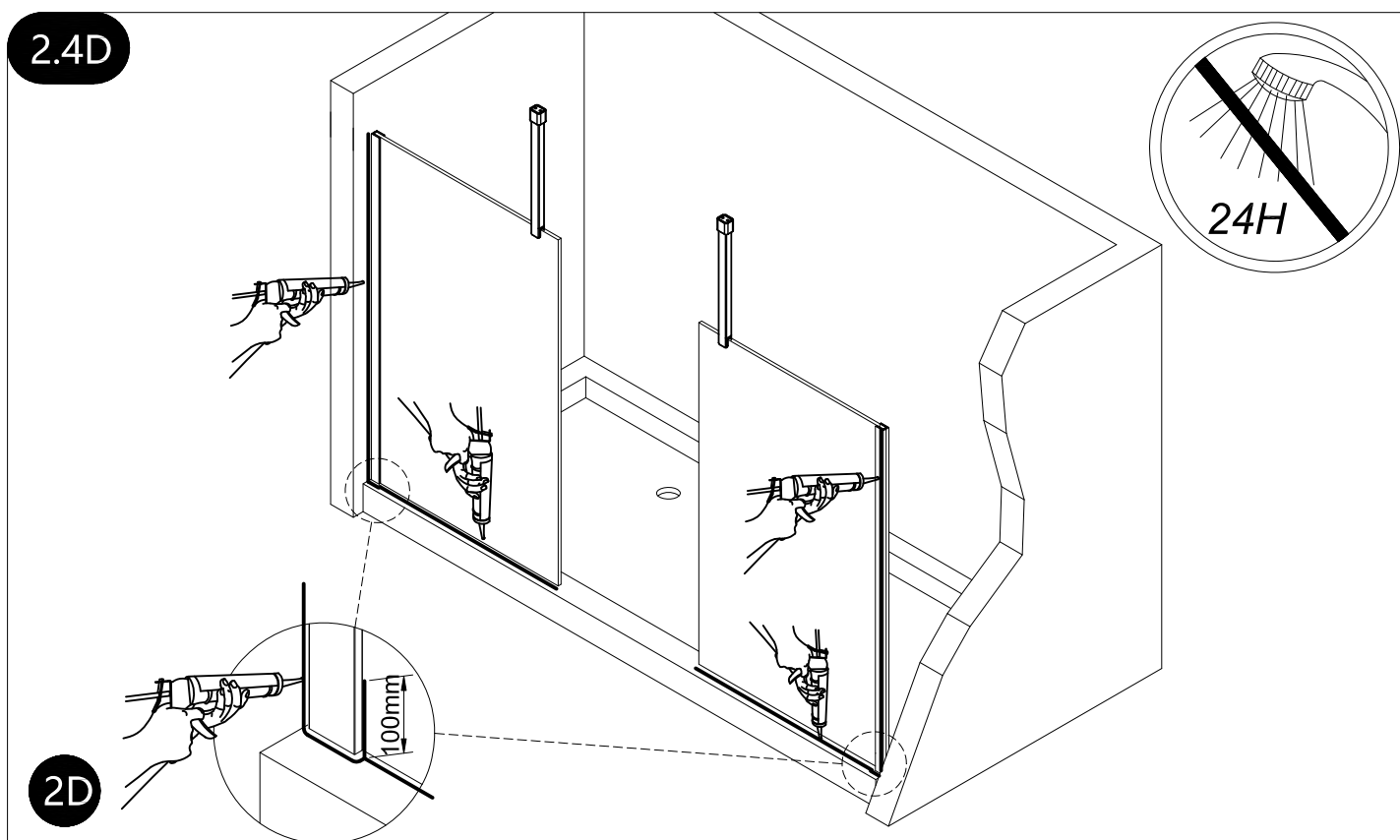
Step 12



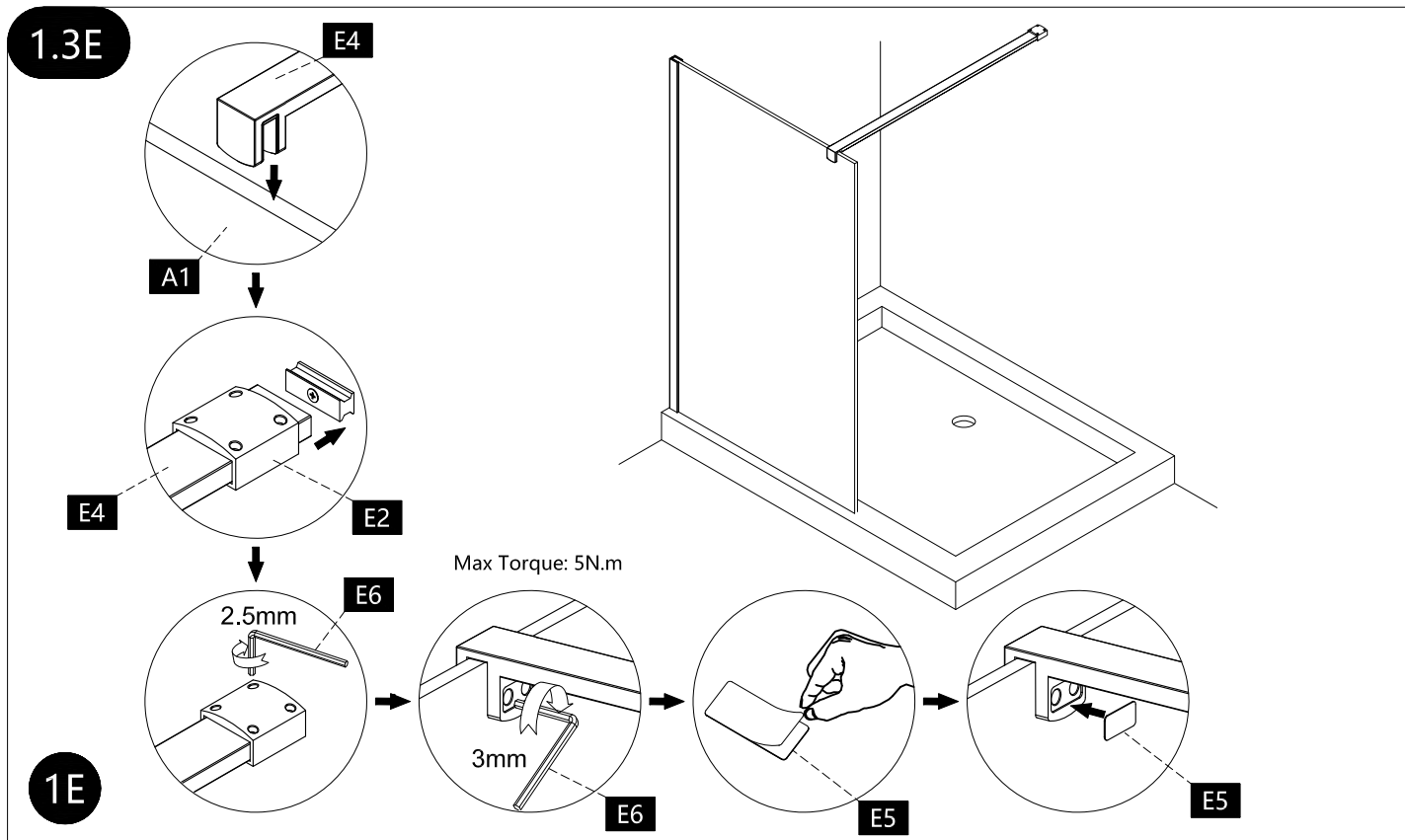
Step 13



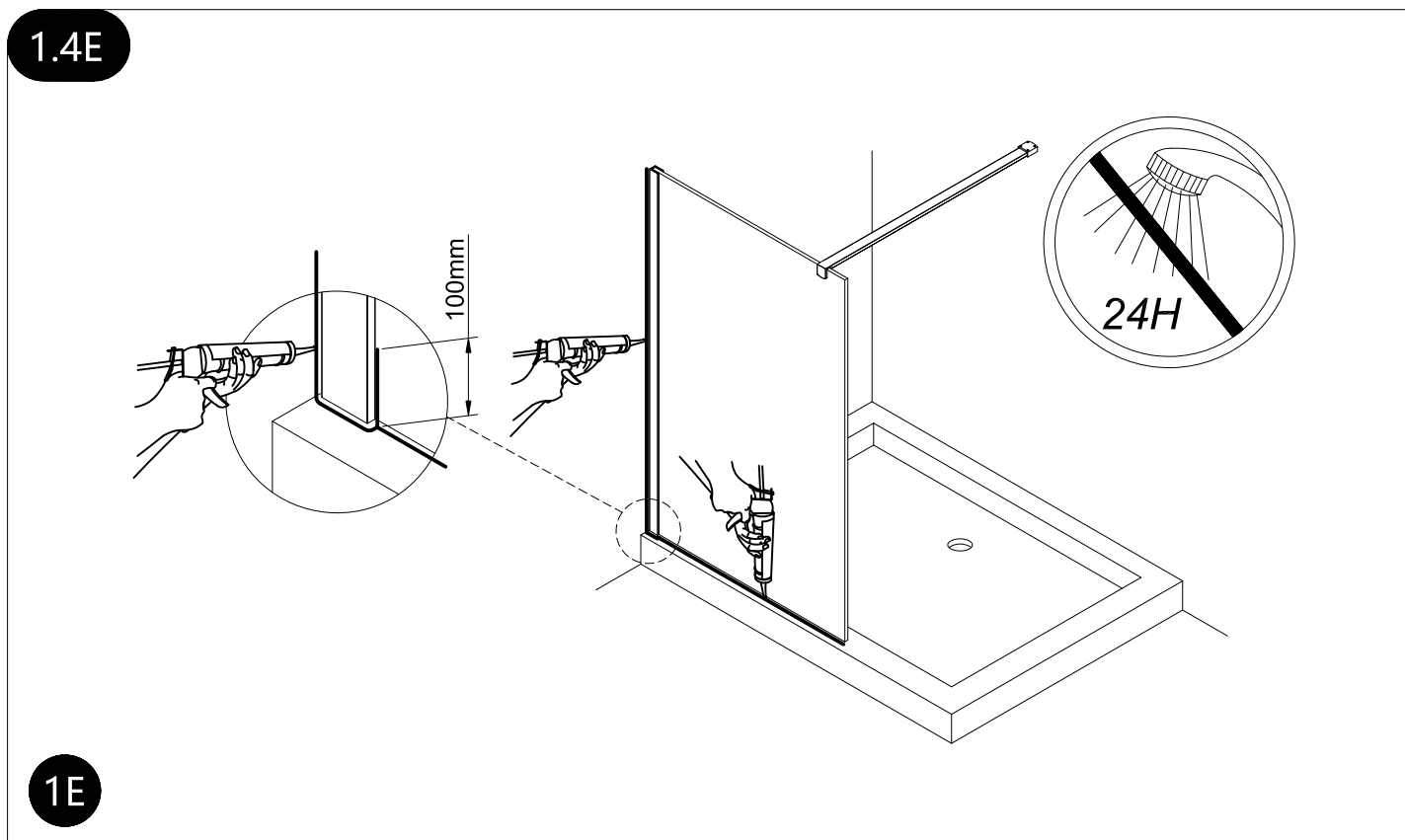
Step 14



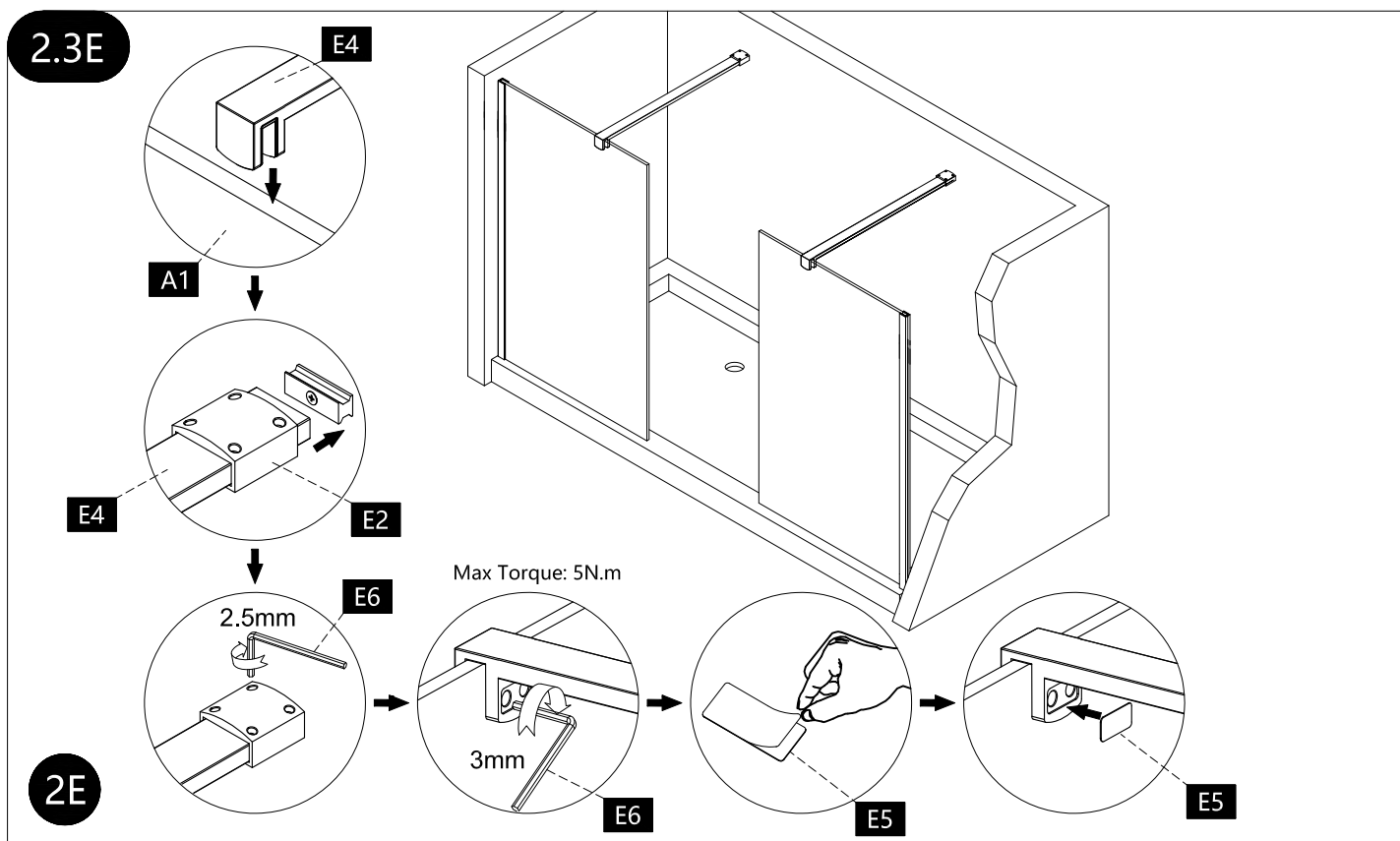
Step 17



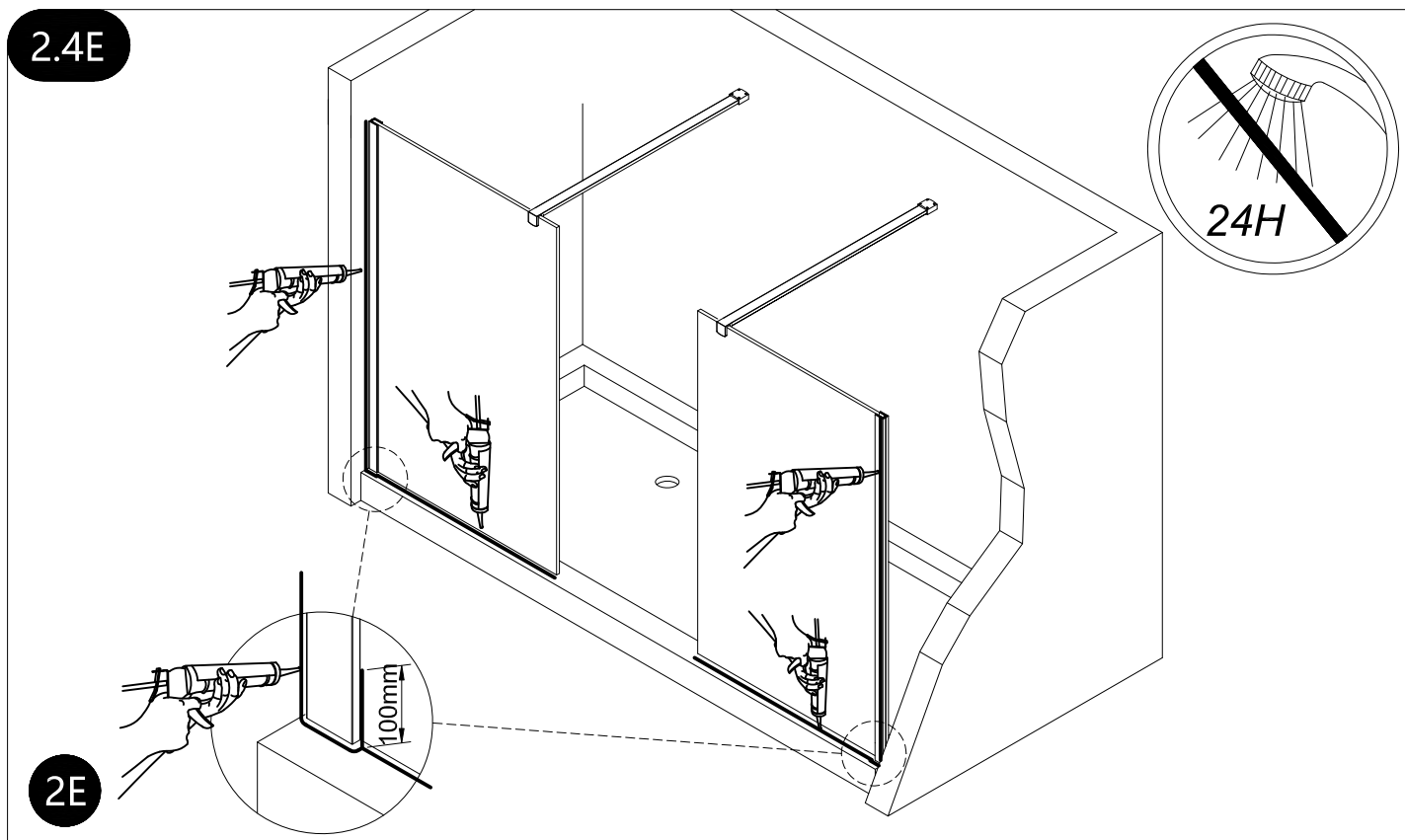
Step 18



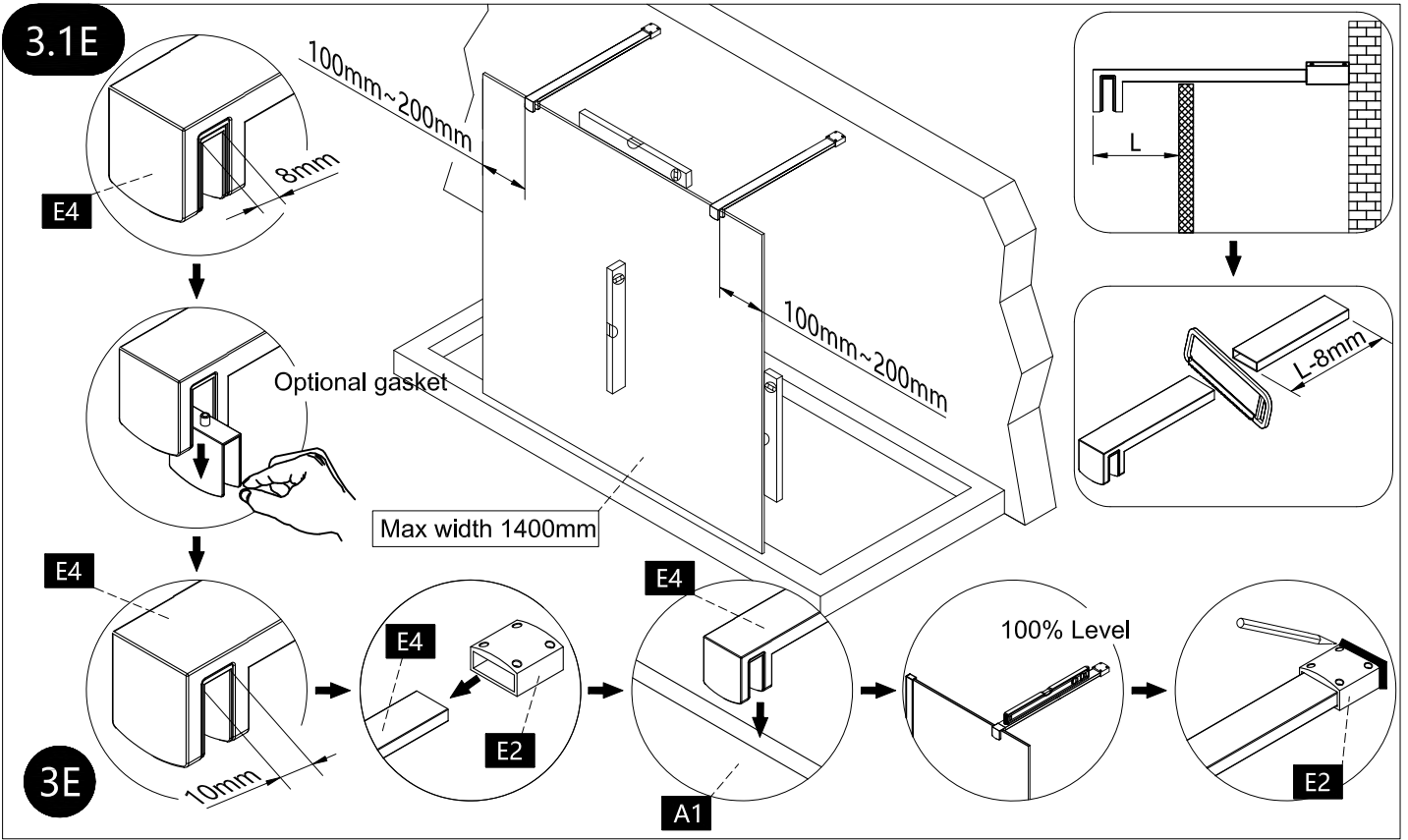
Step 21



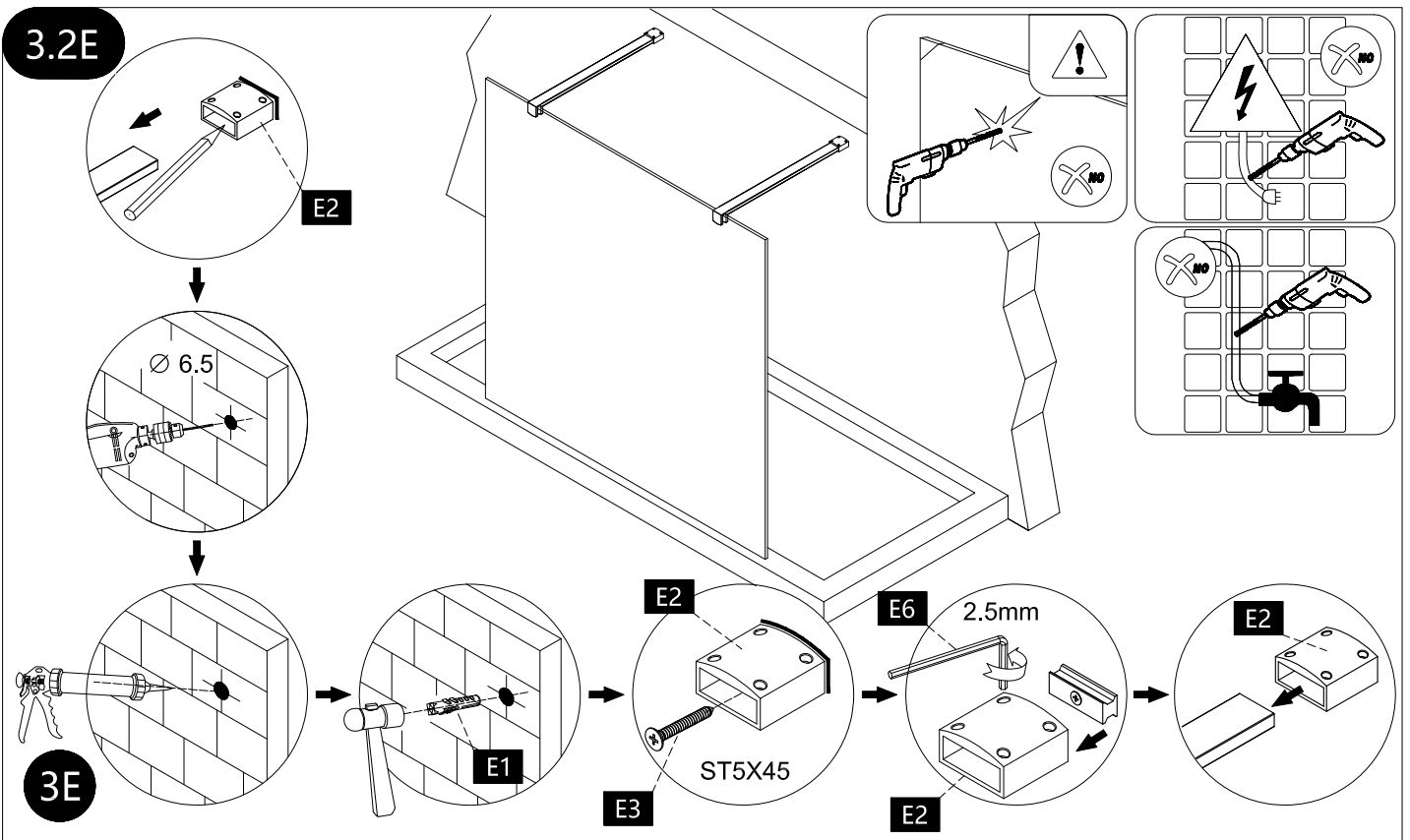
Step 22



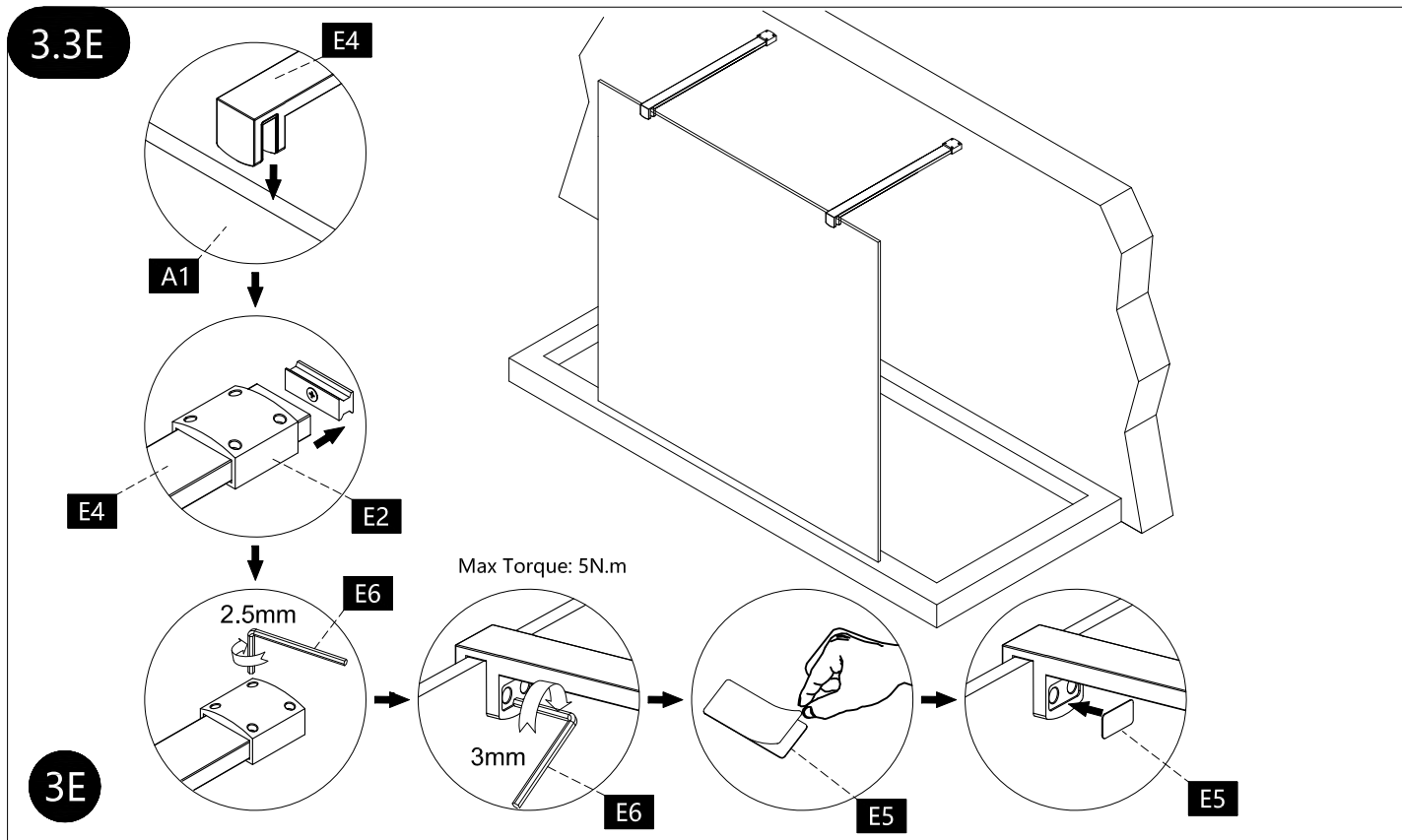
Step 23



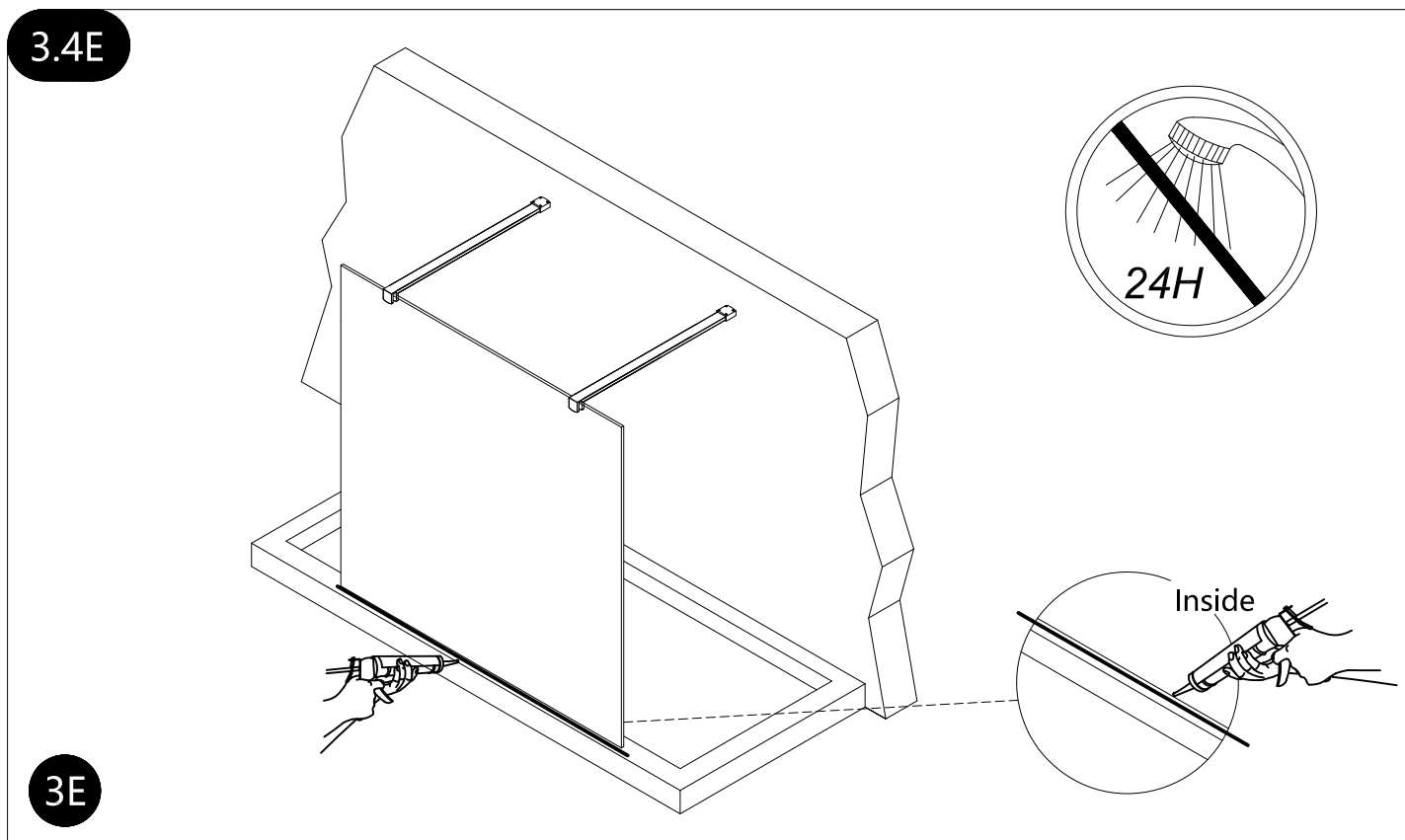
Step 24



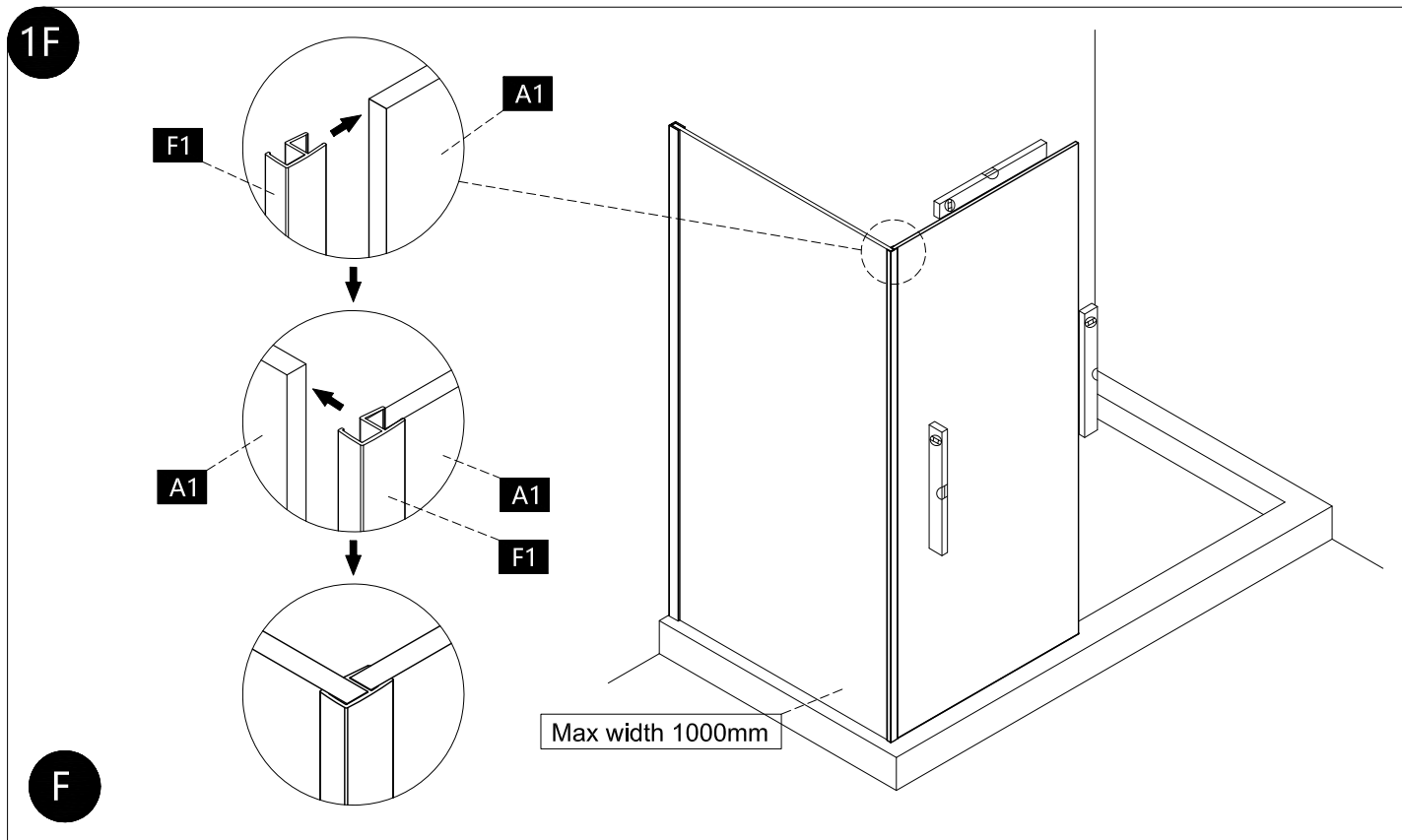
Step 25



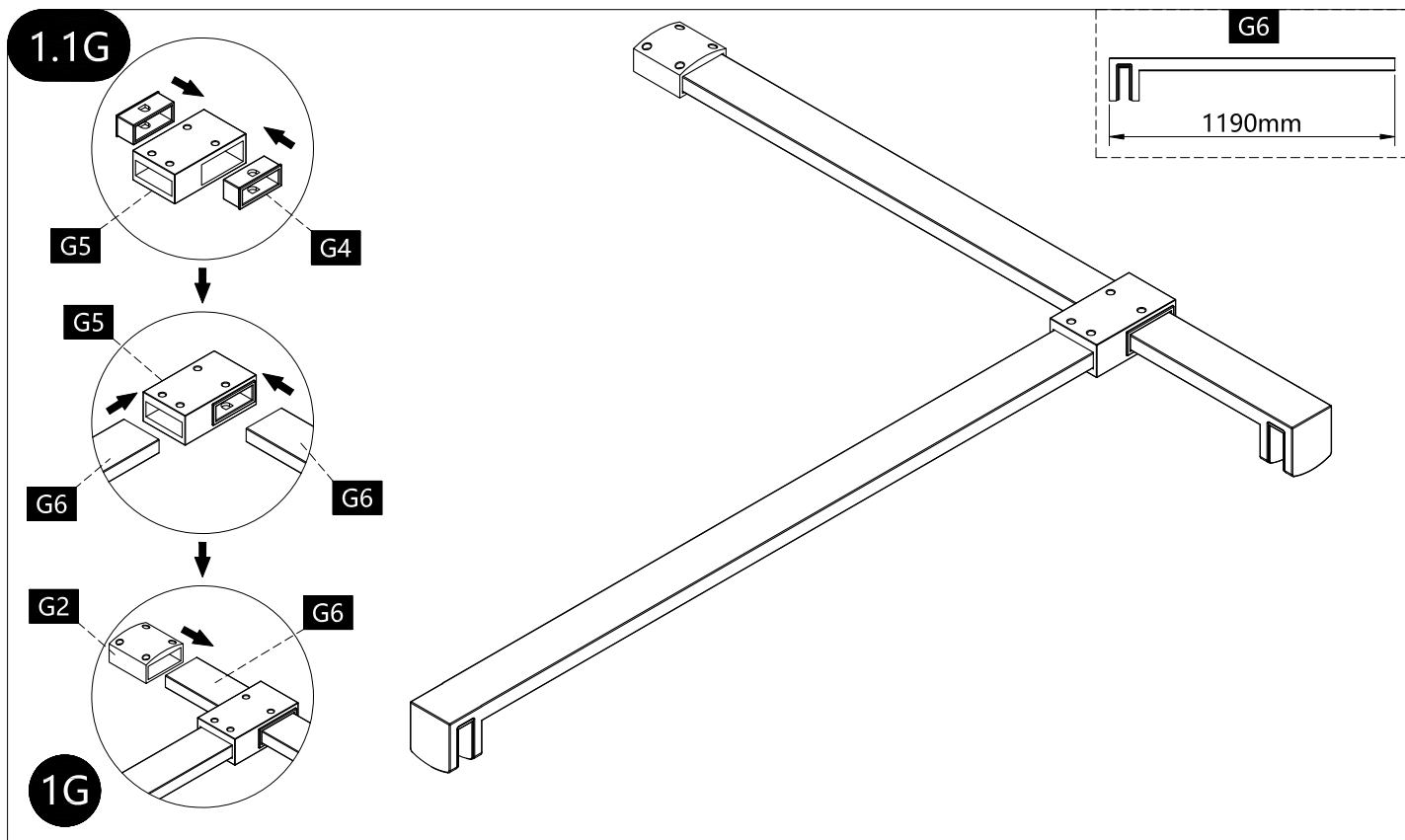
Step 26



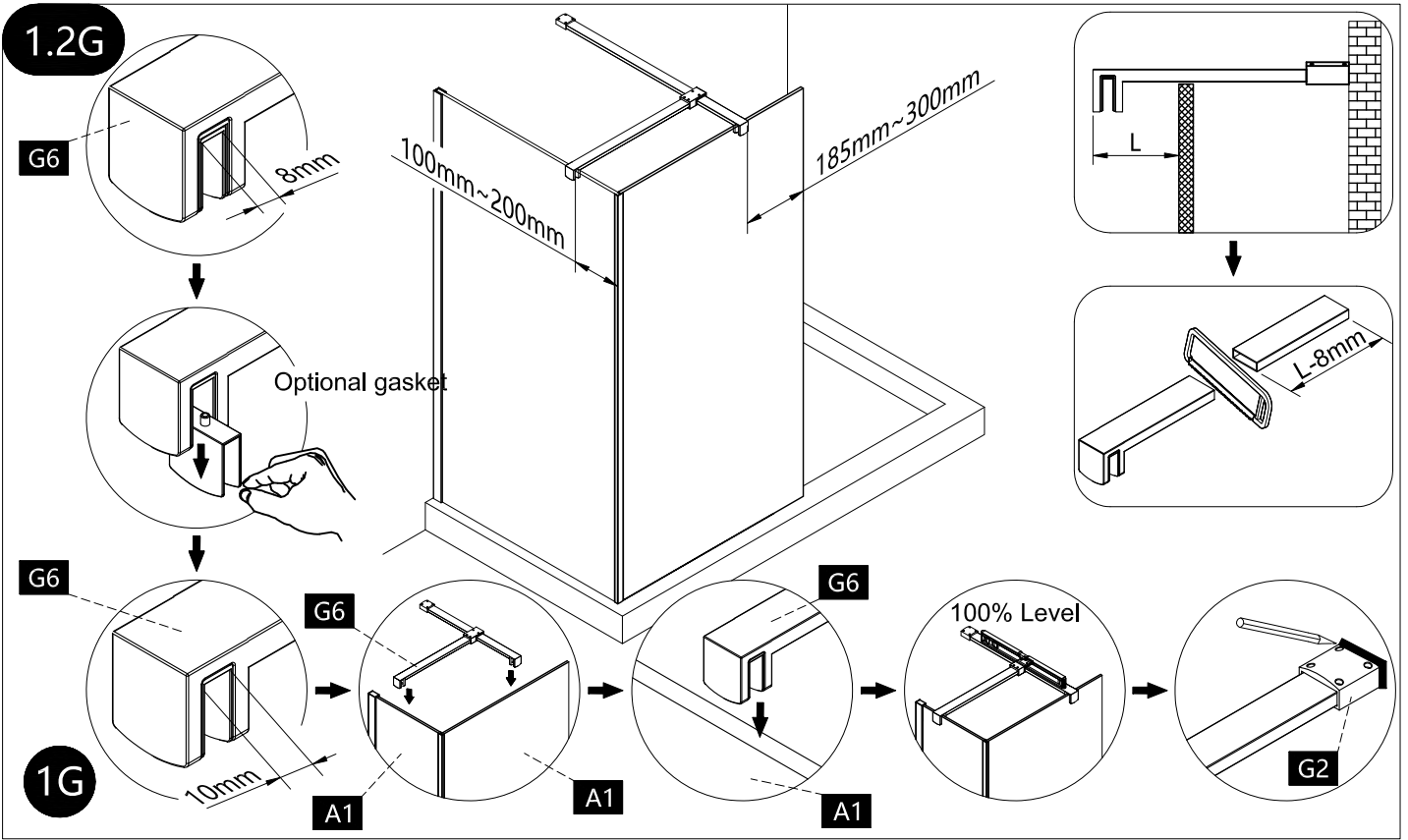
Step 27



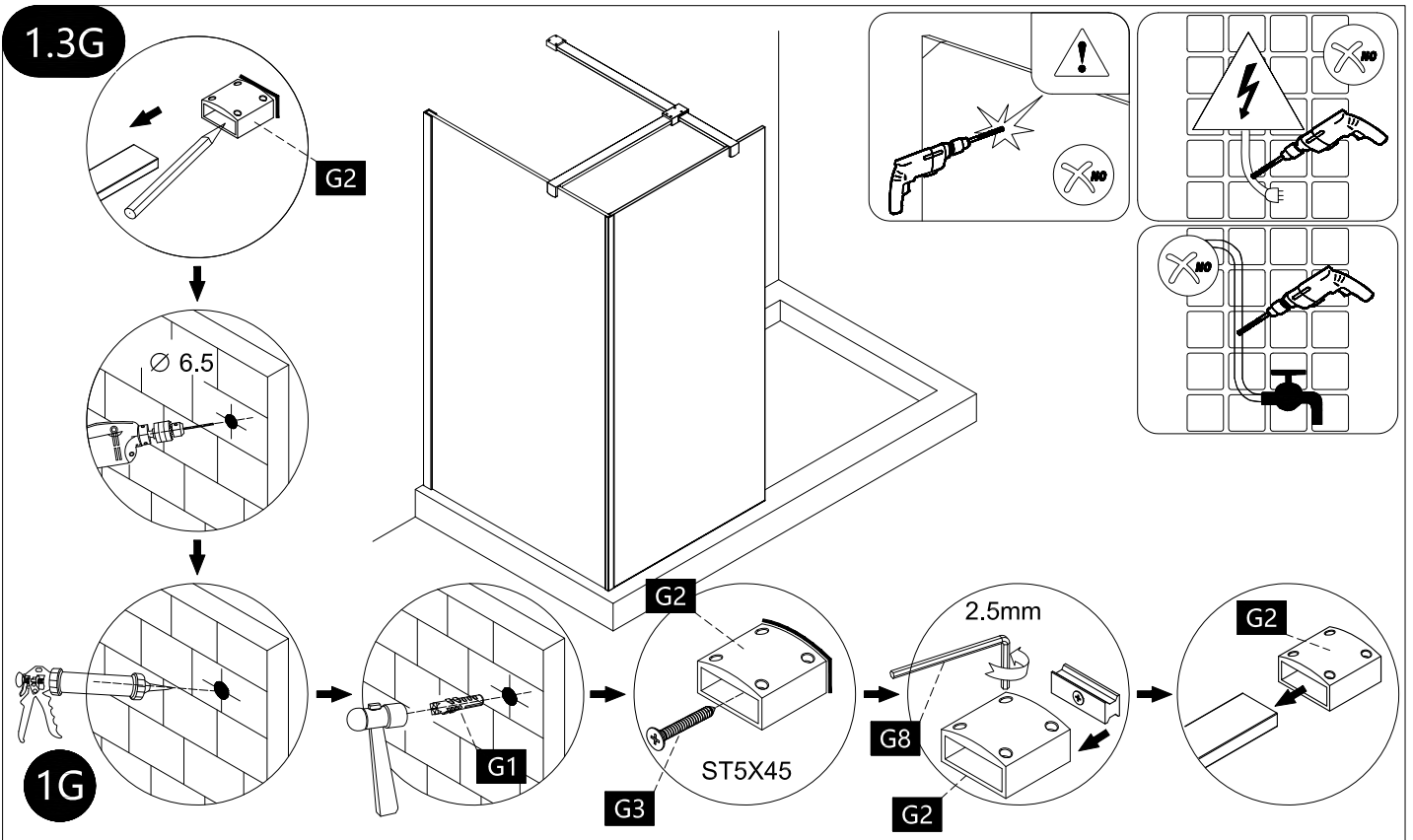
Step 28



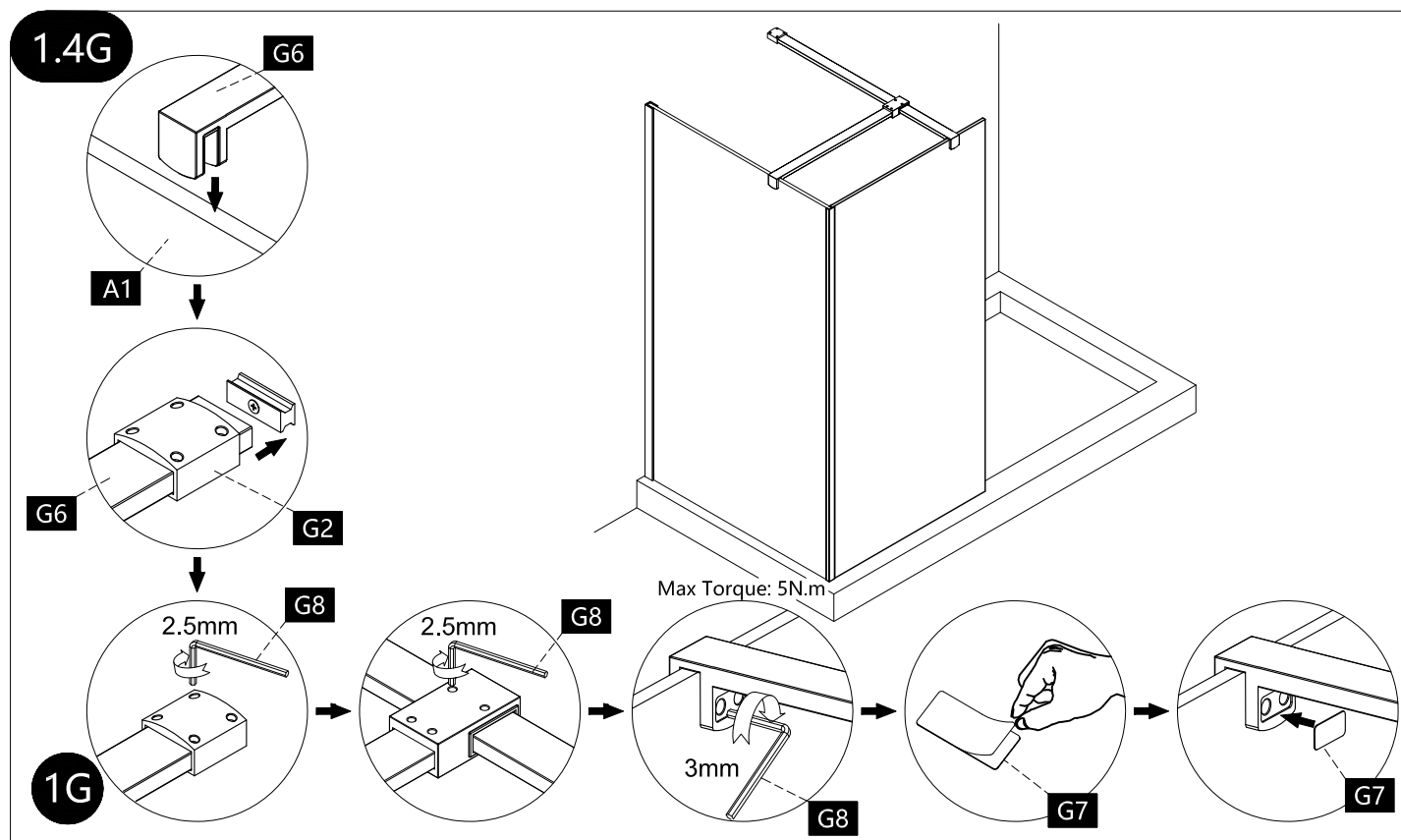
Step 29



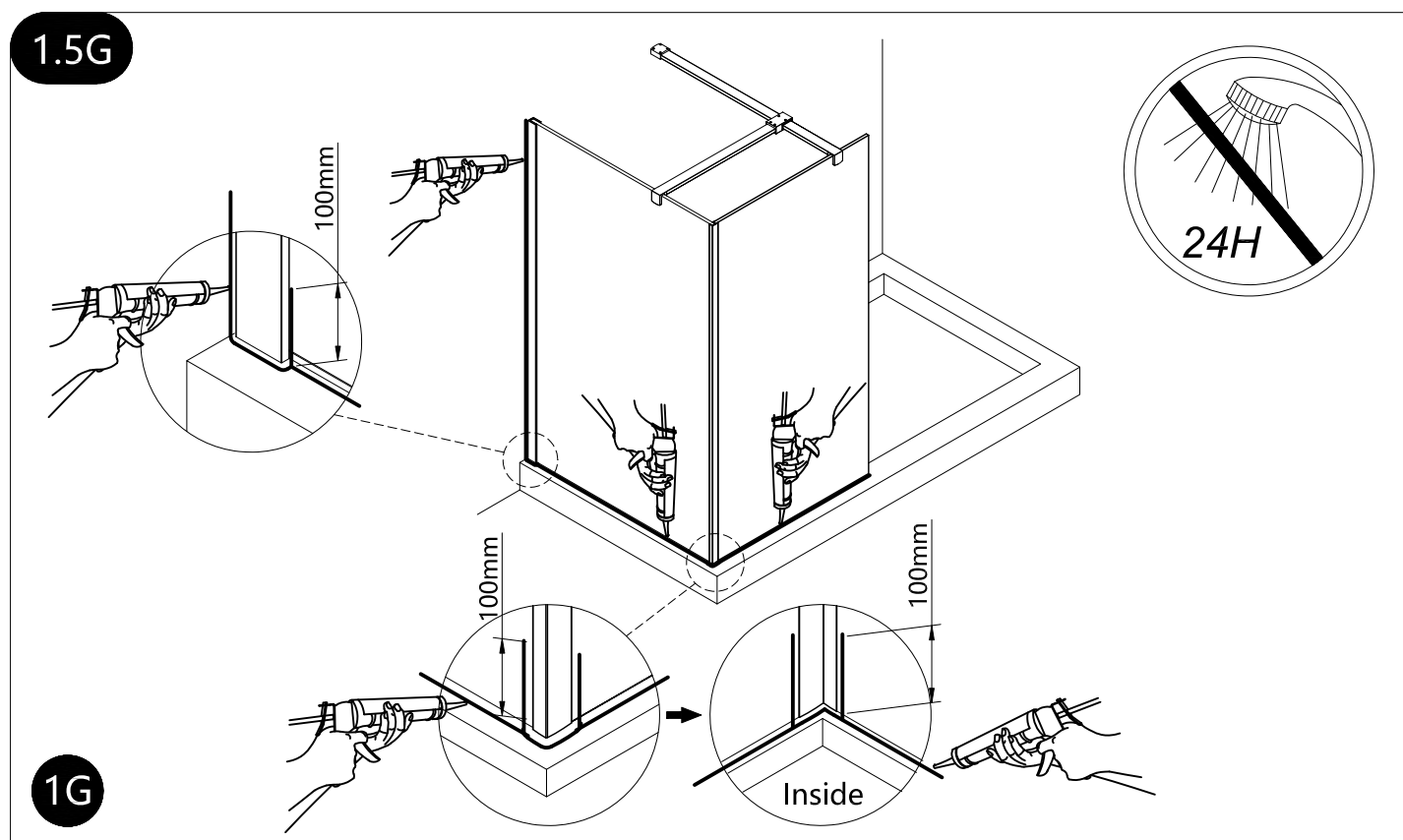
Step 30 Fitting T bracing bar



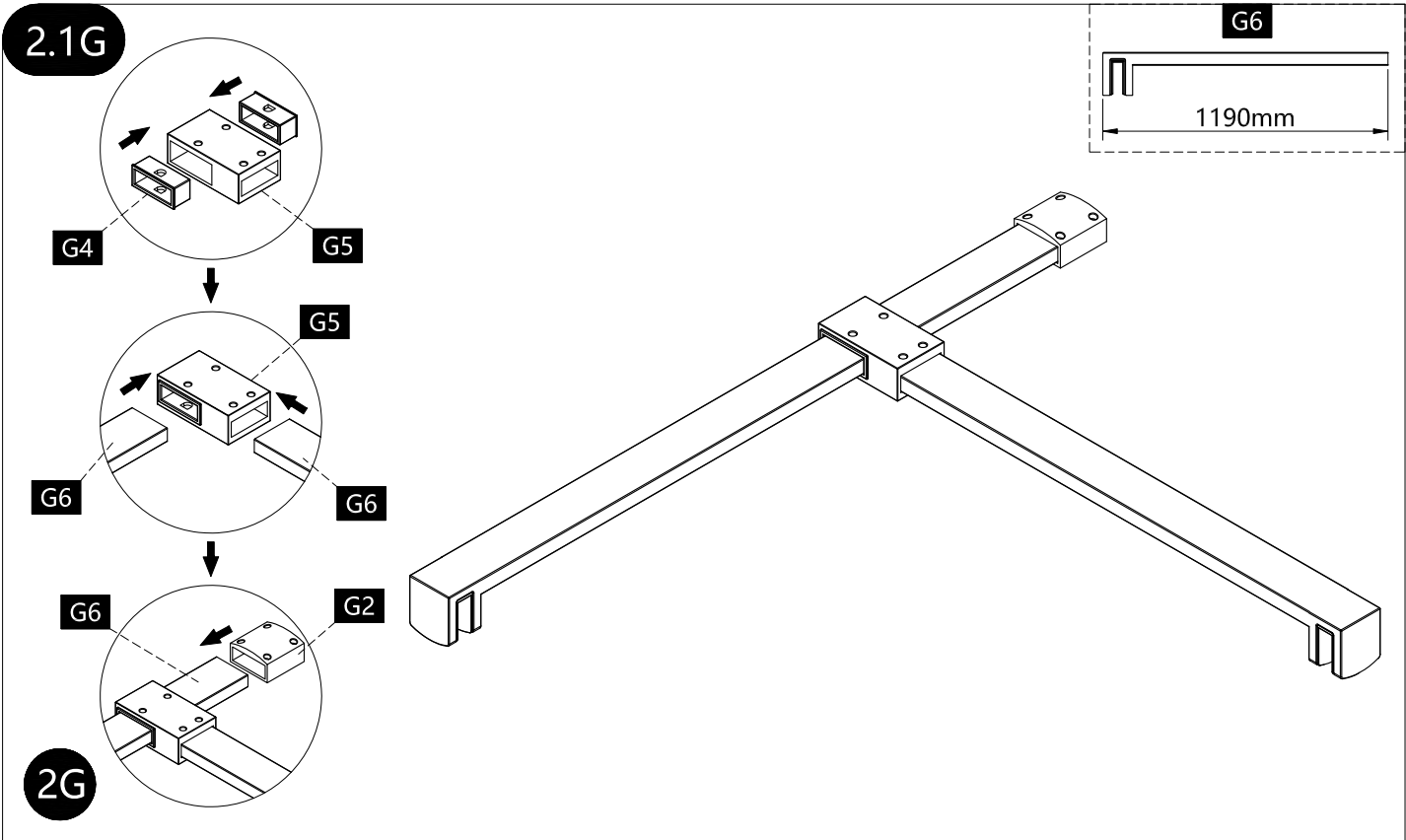
Step 31



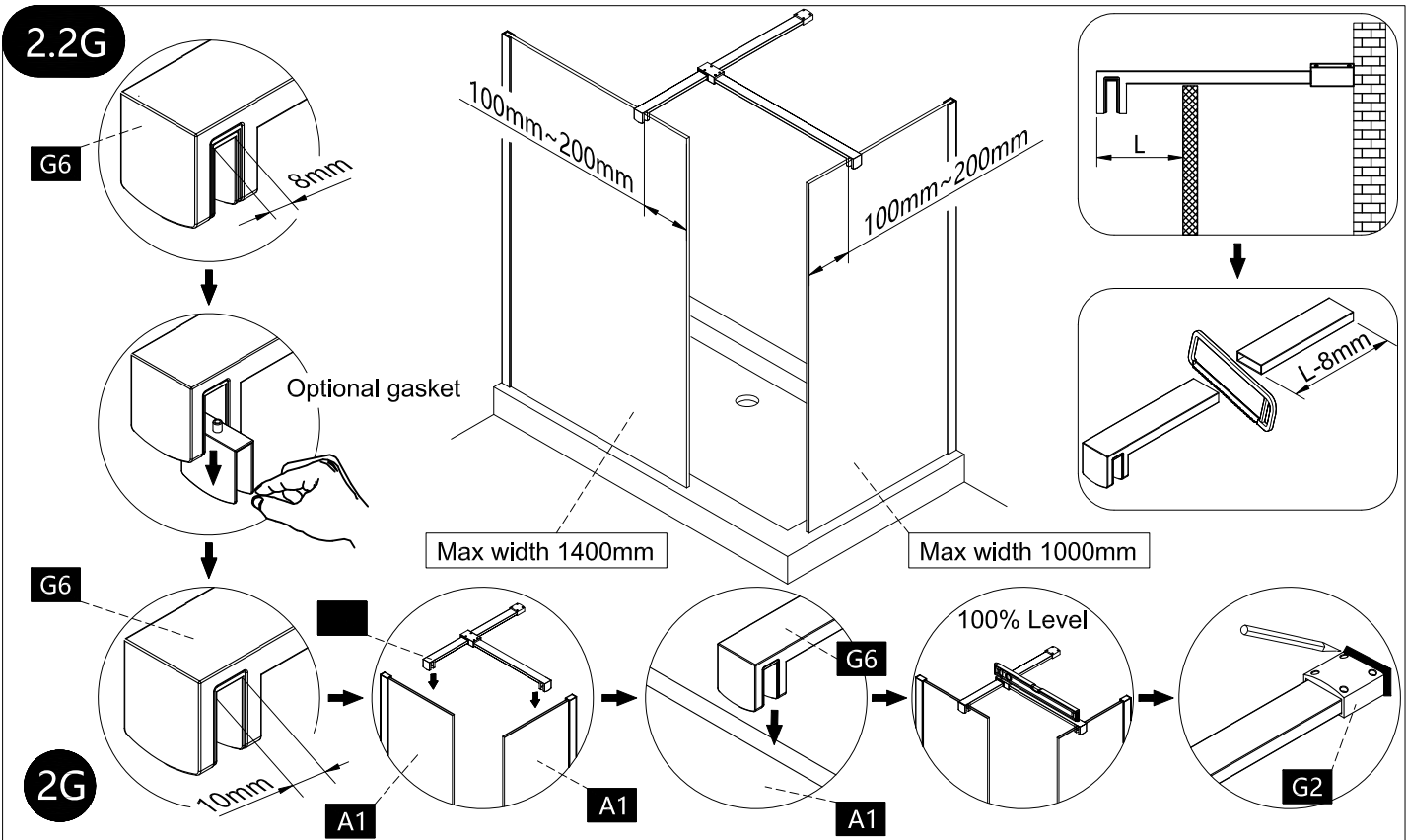
Step 32



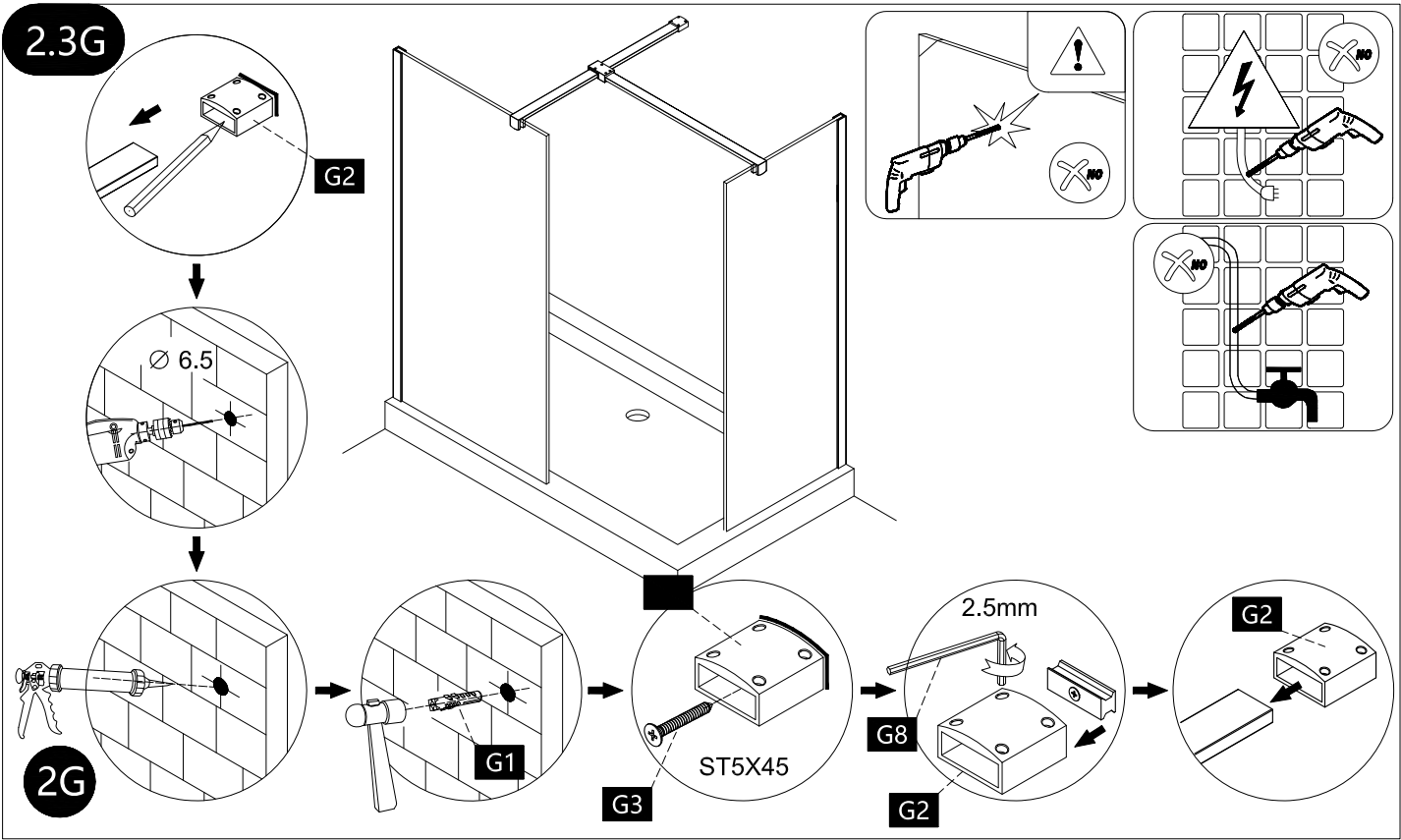
Step 33



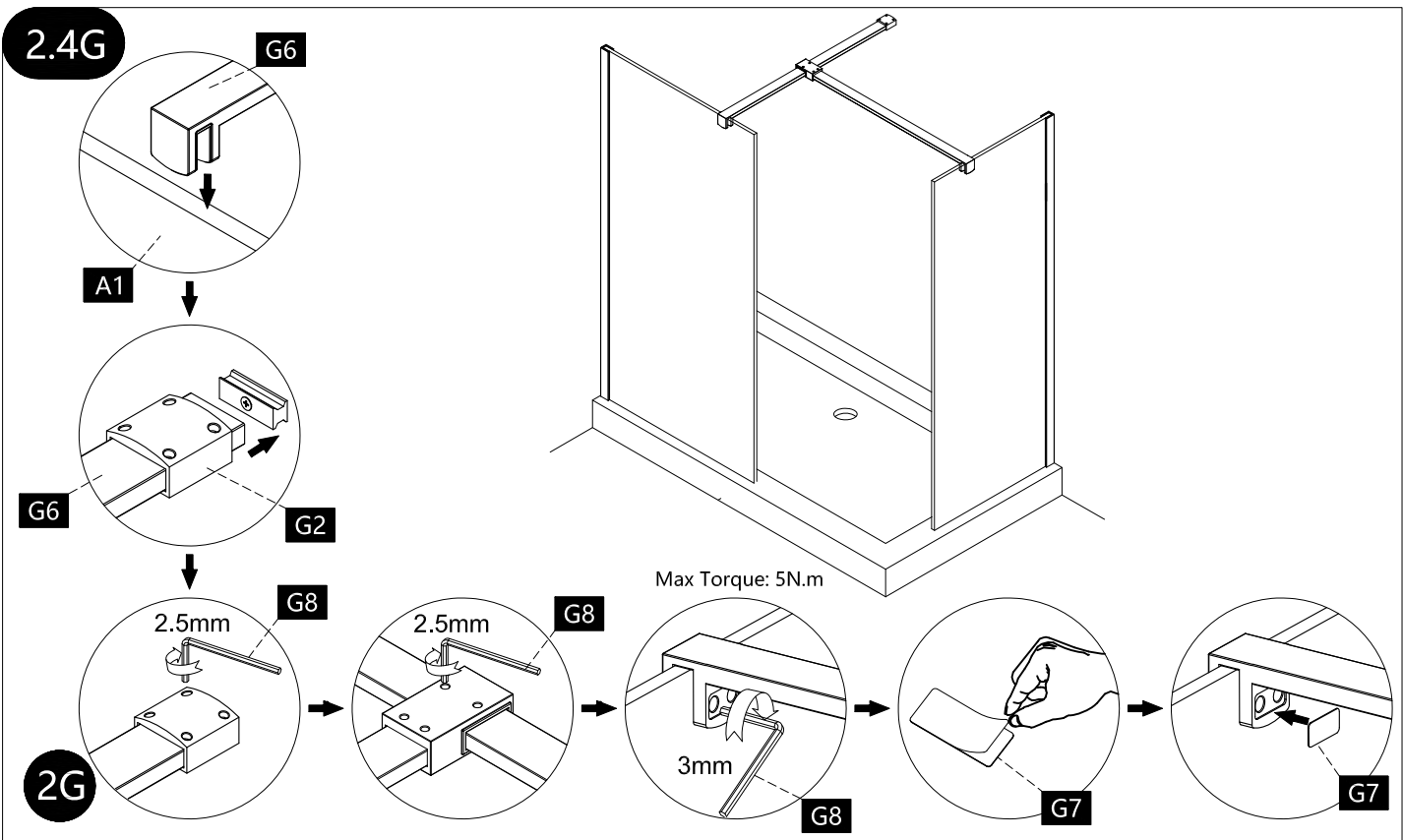
Step 34



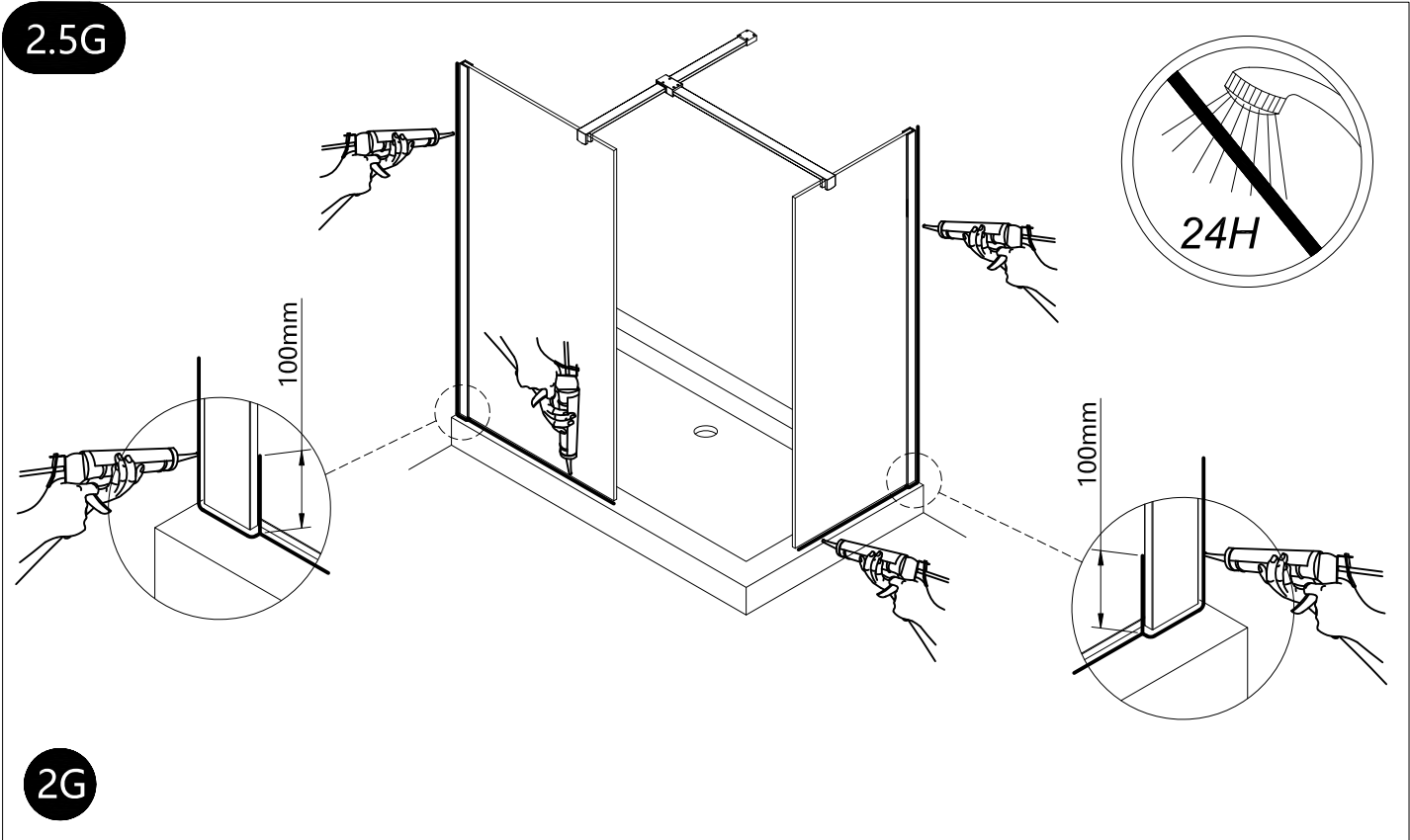
Step 35



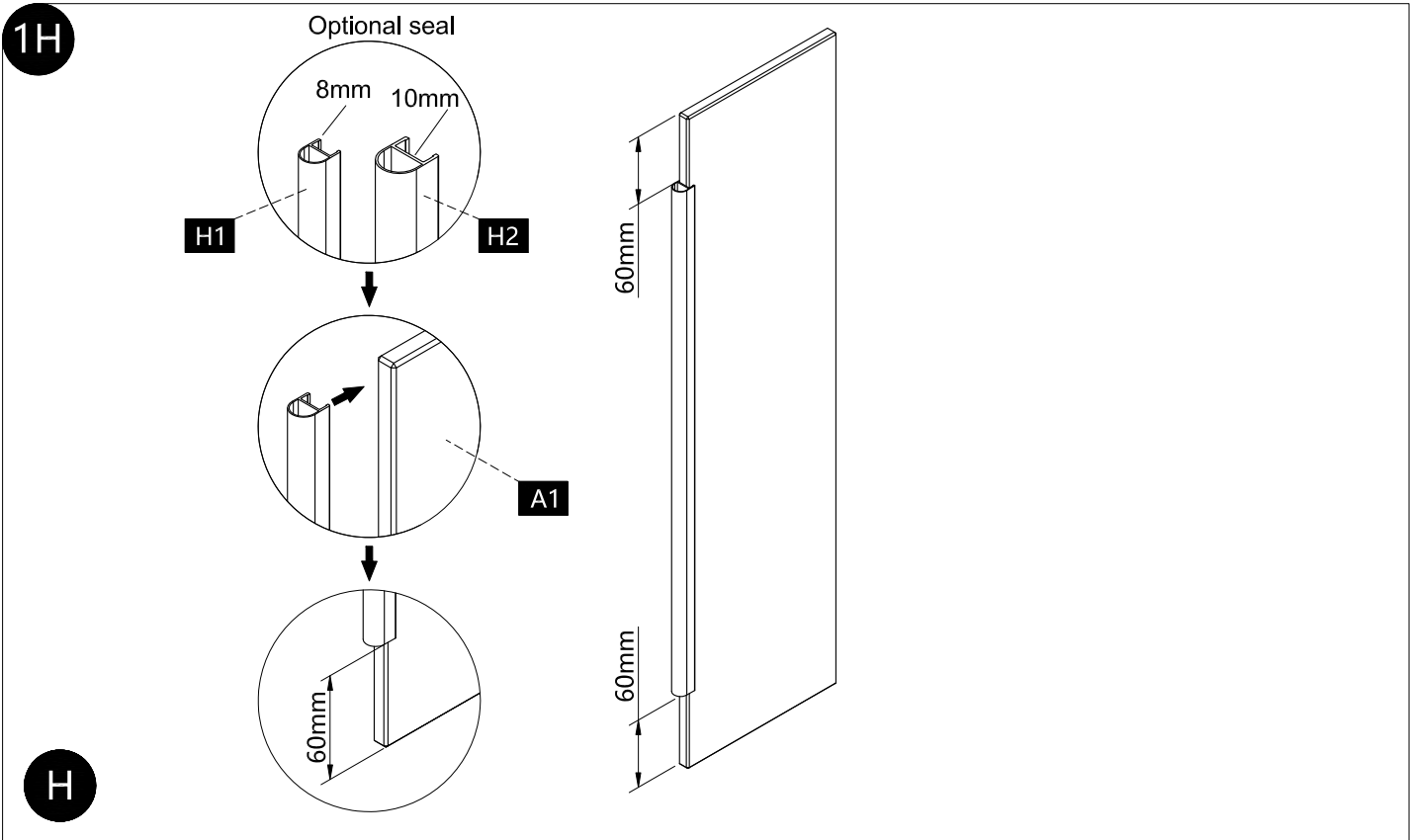
Step 36



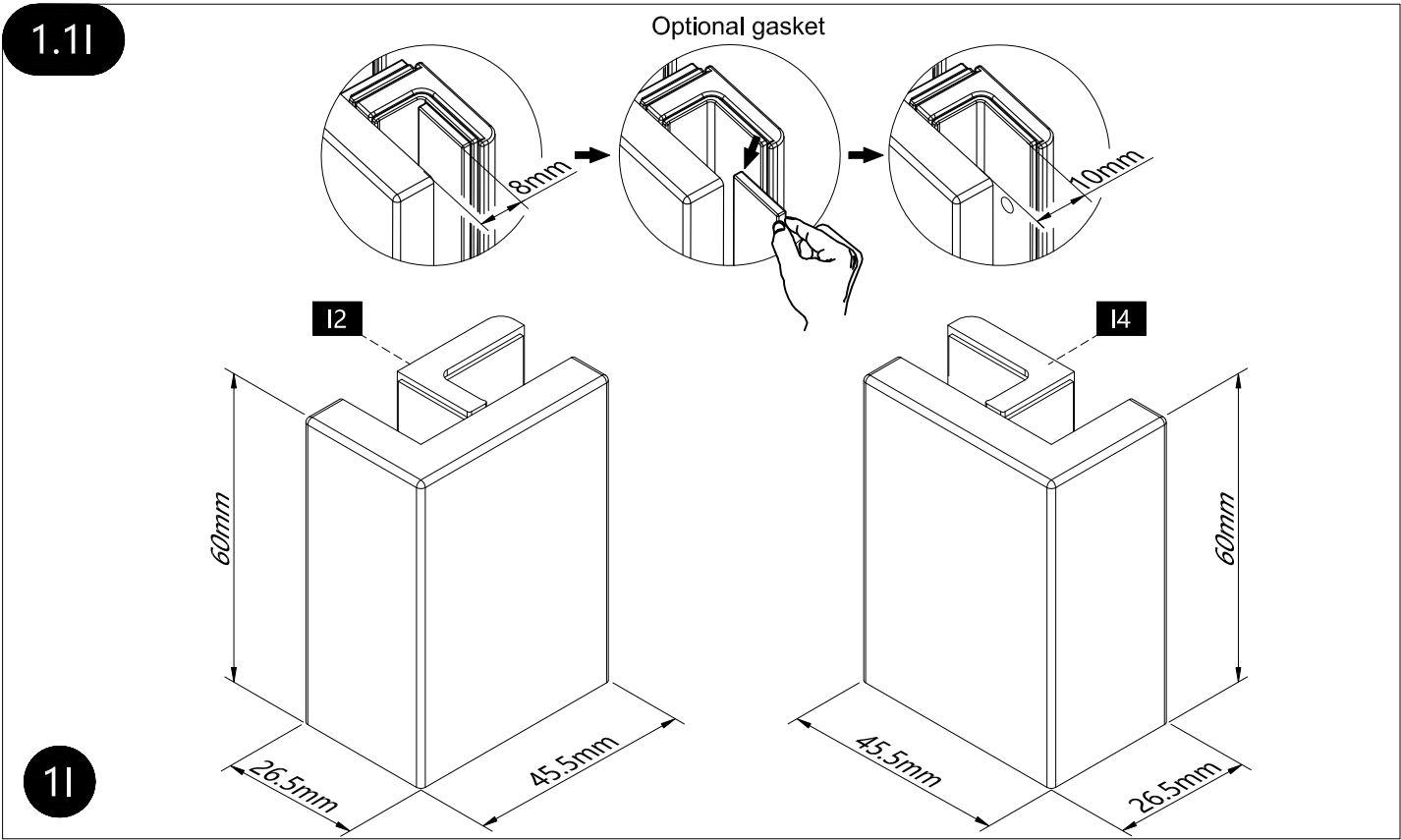
Step 37



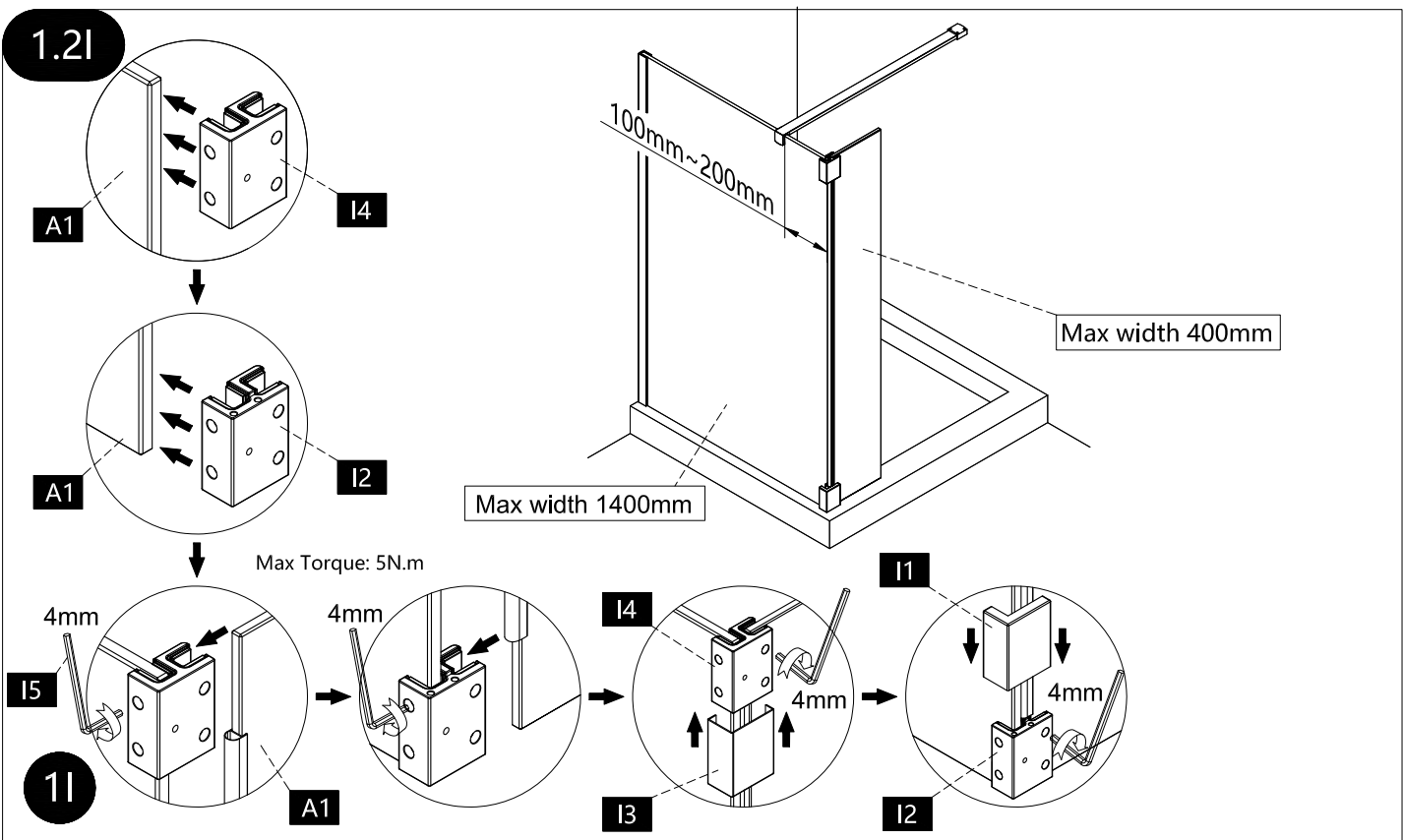
Step 38 Fitting Glass to Glass Bracket



Step 39

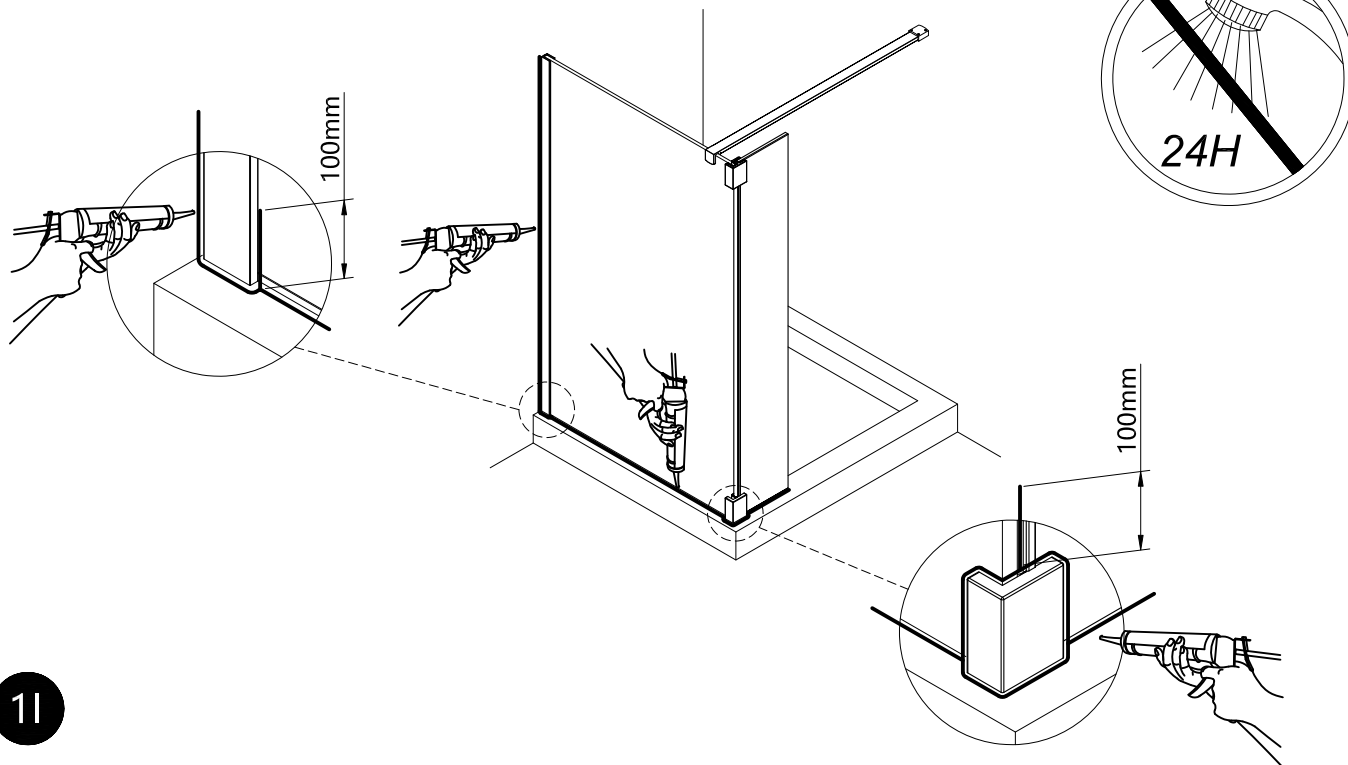


Step 40



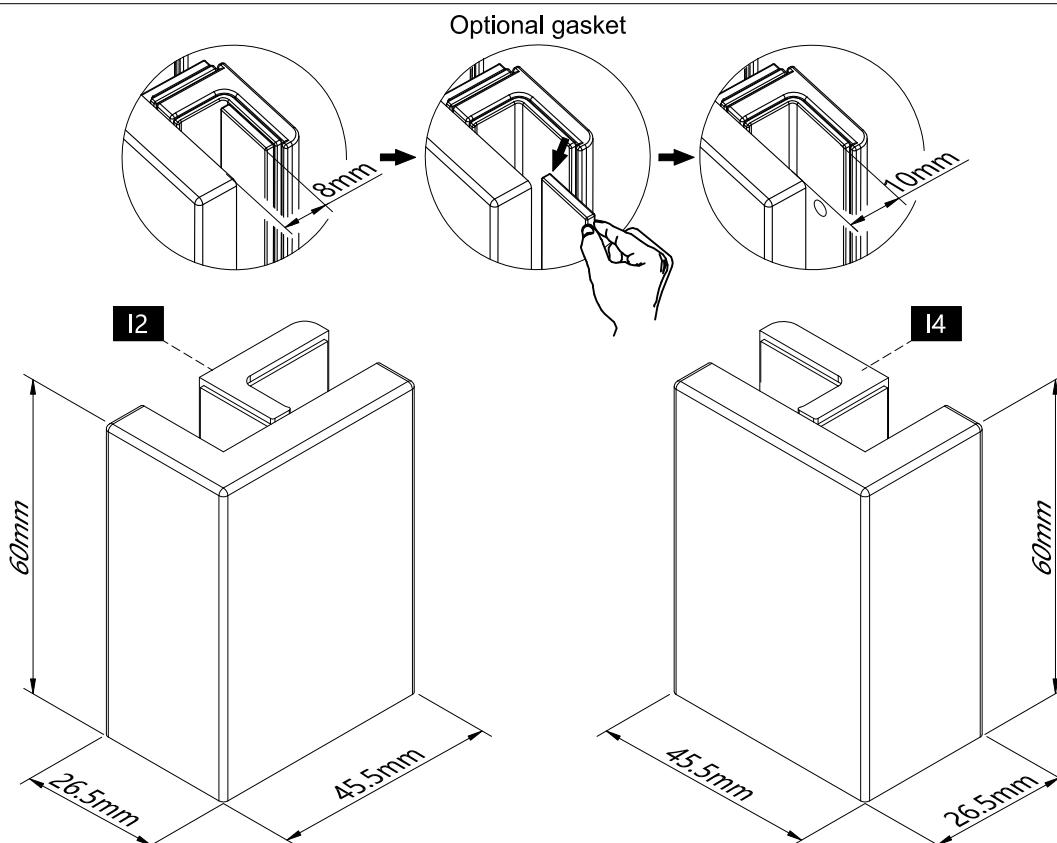
Step 41

1.31

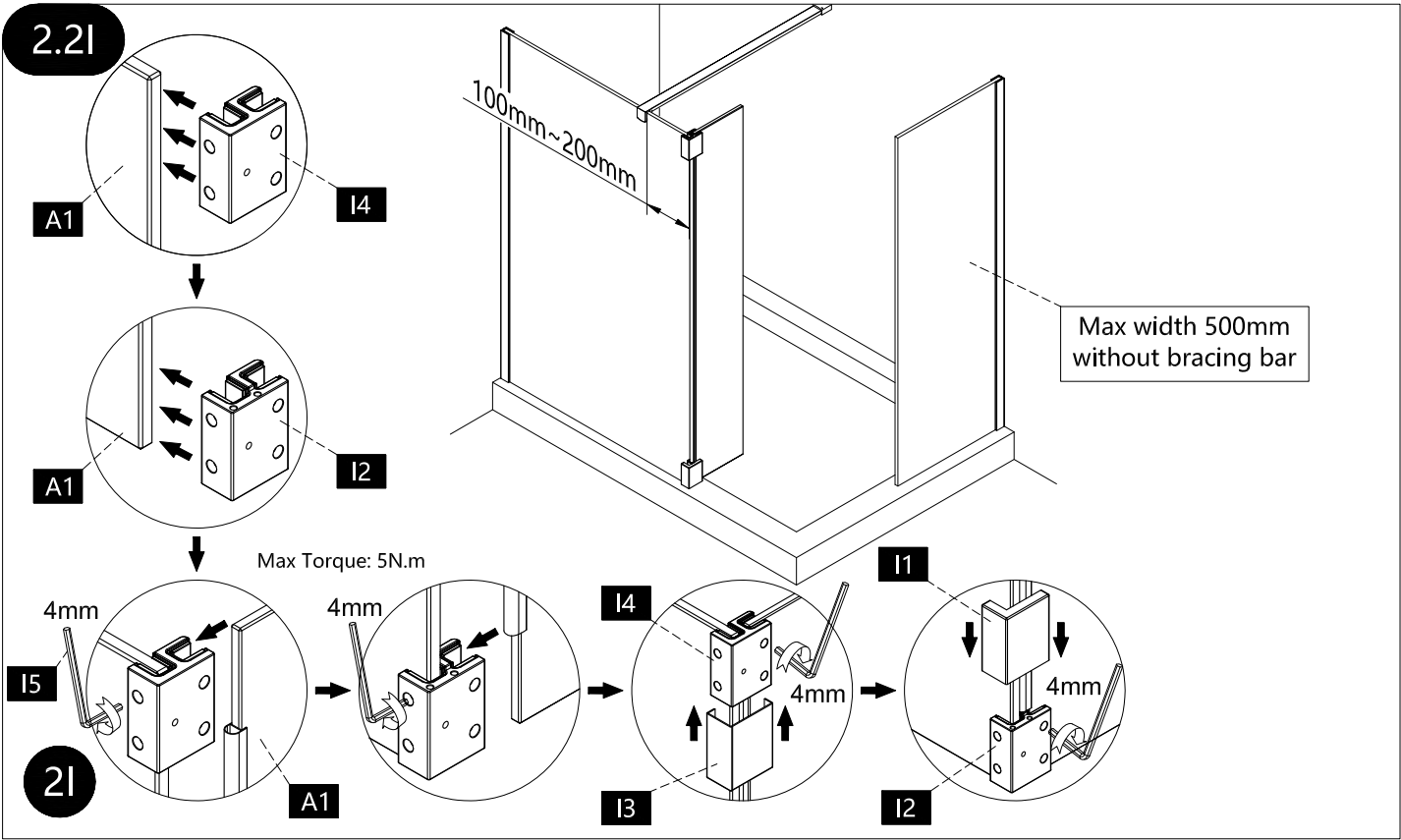


Step 42

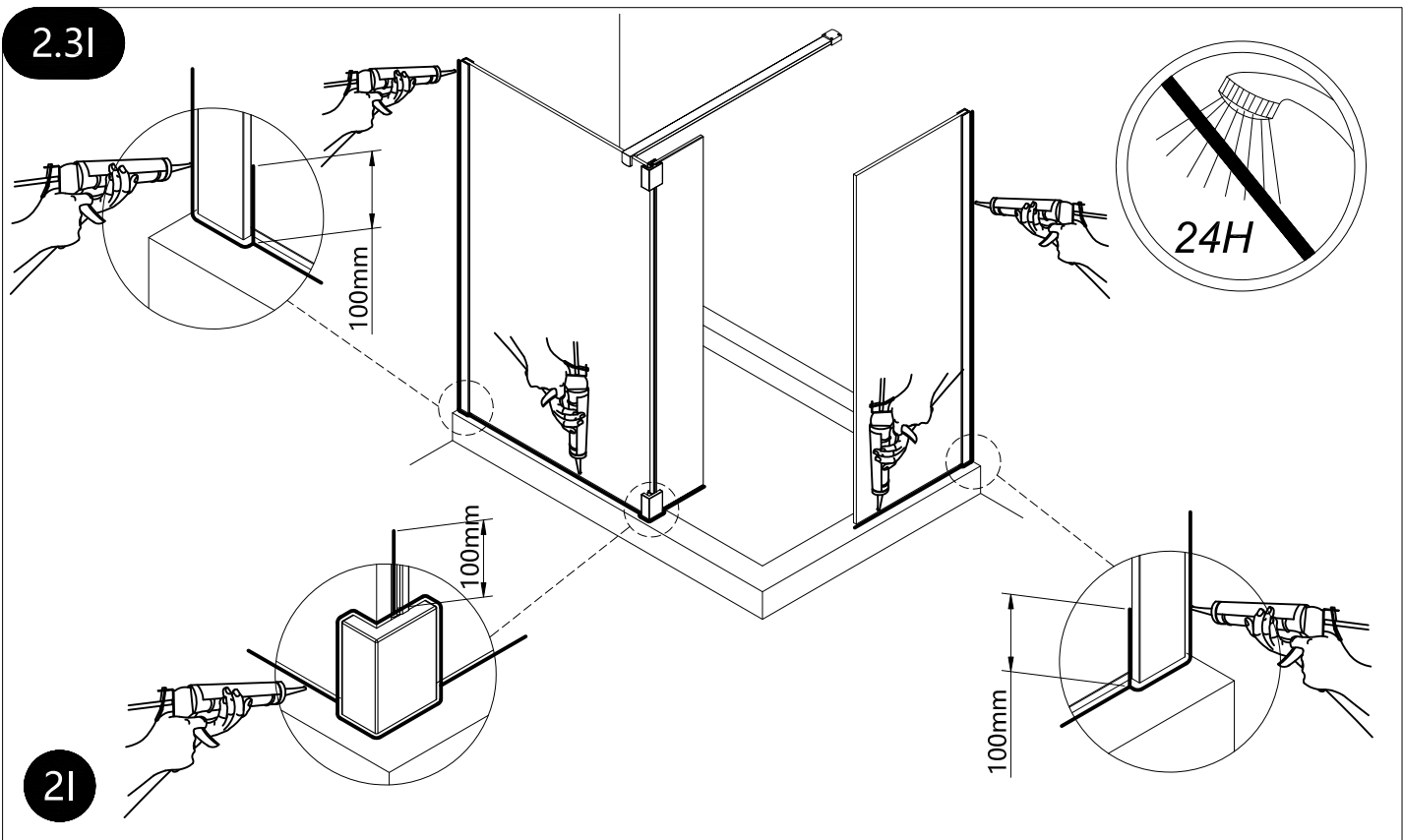
2.11



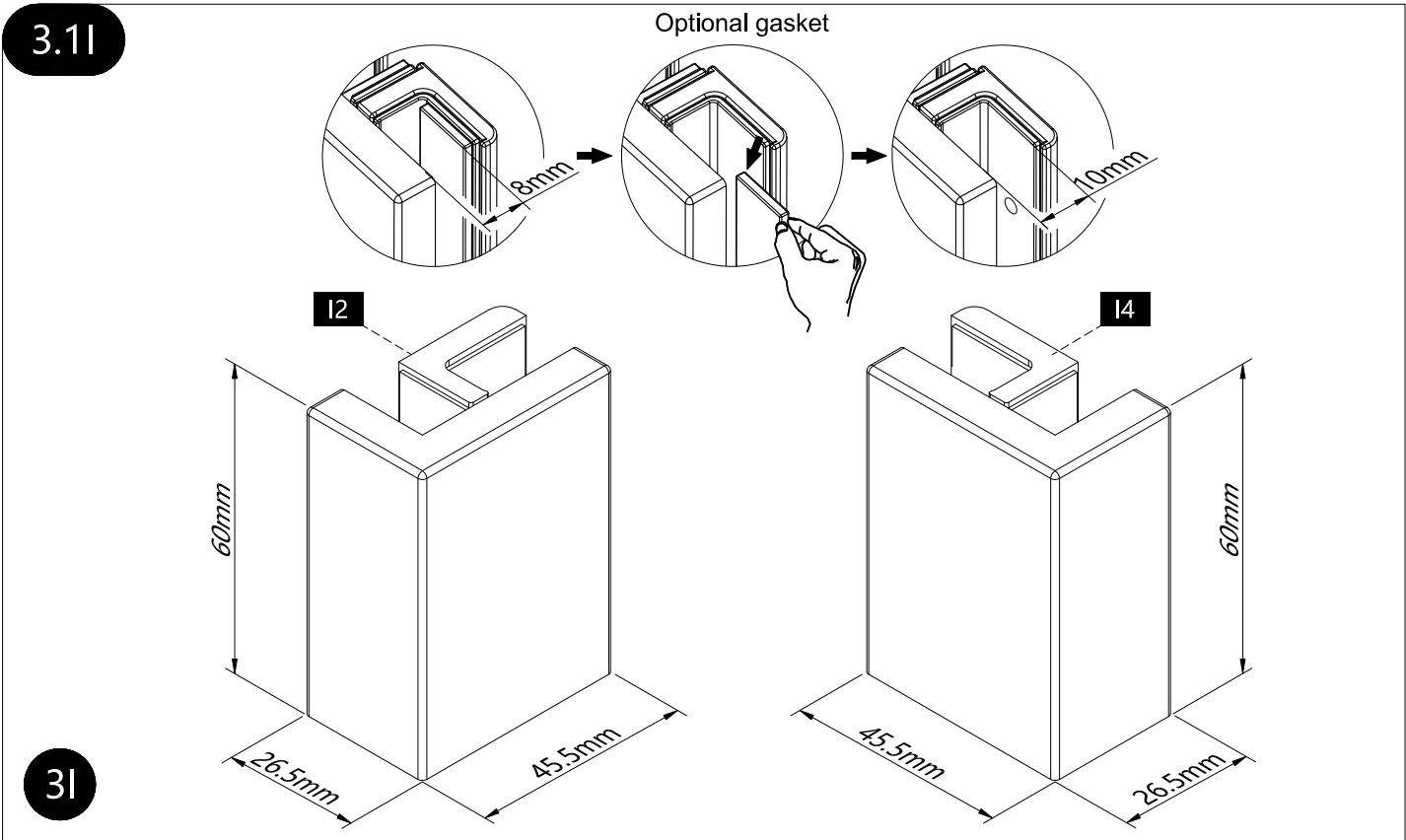
Step 43



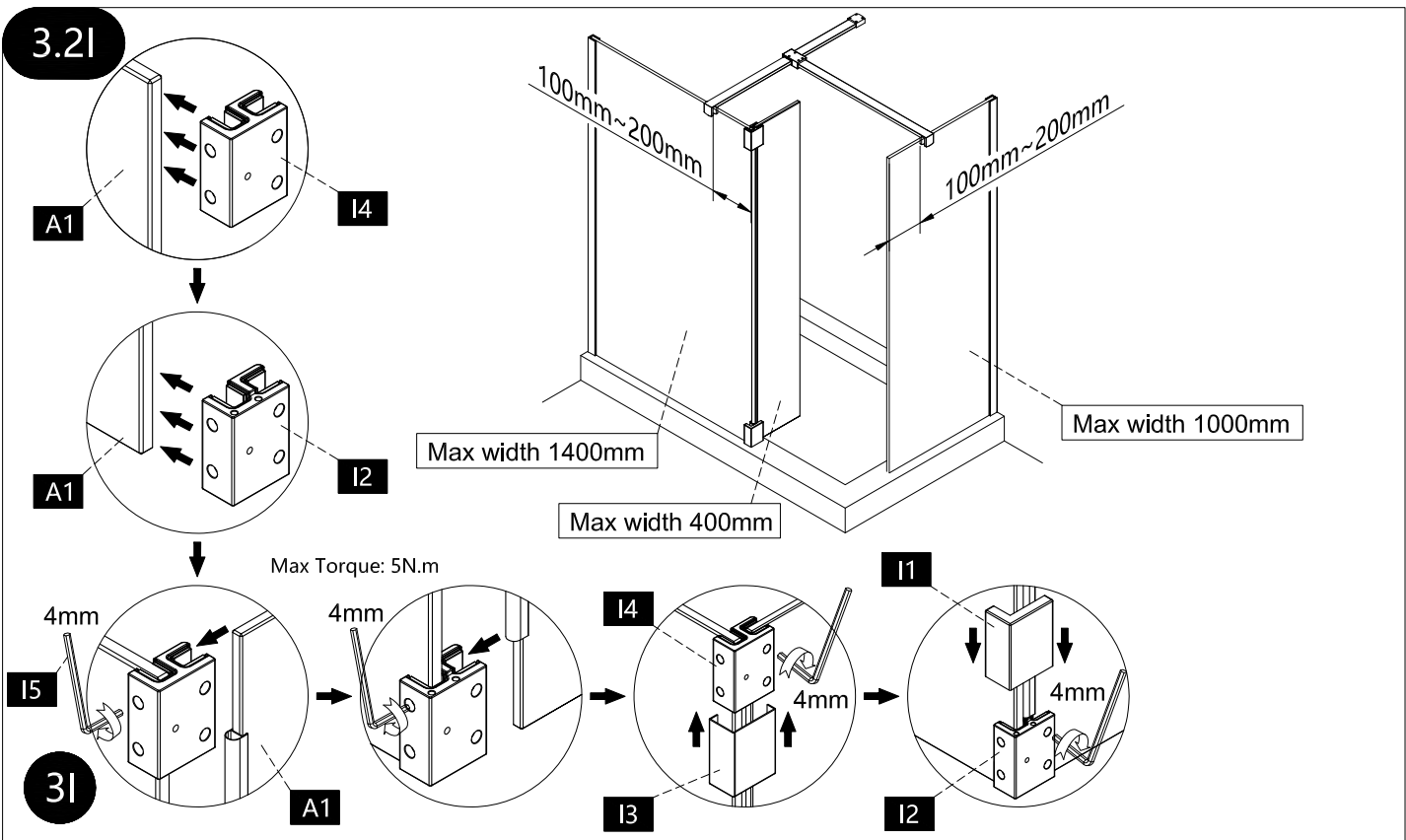
Step 44



Step 45

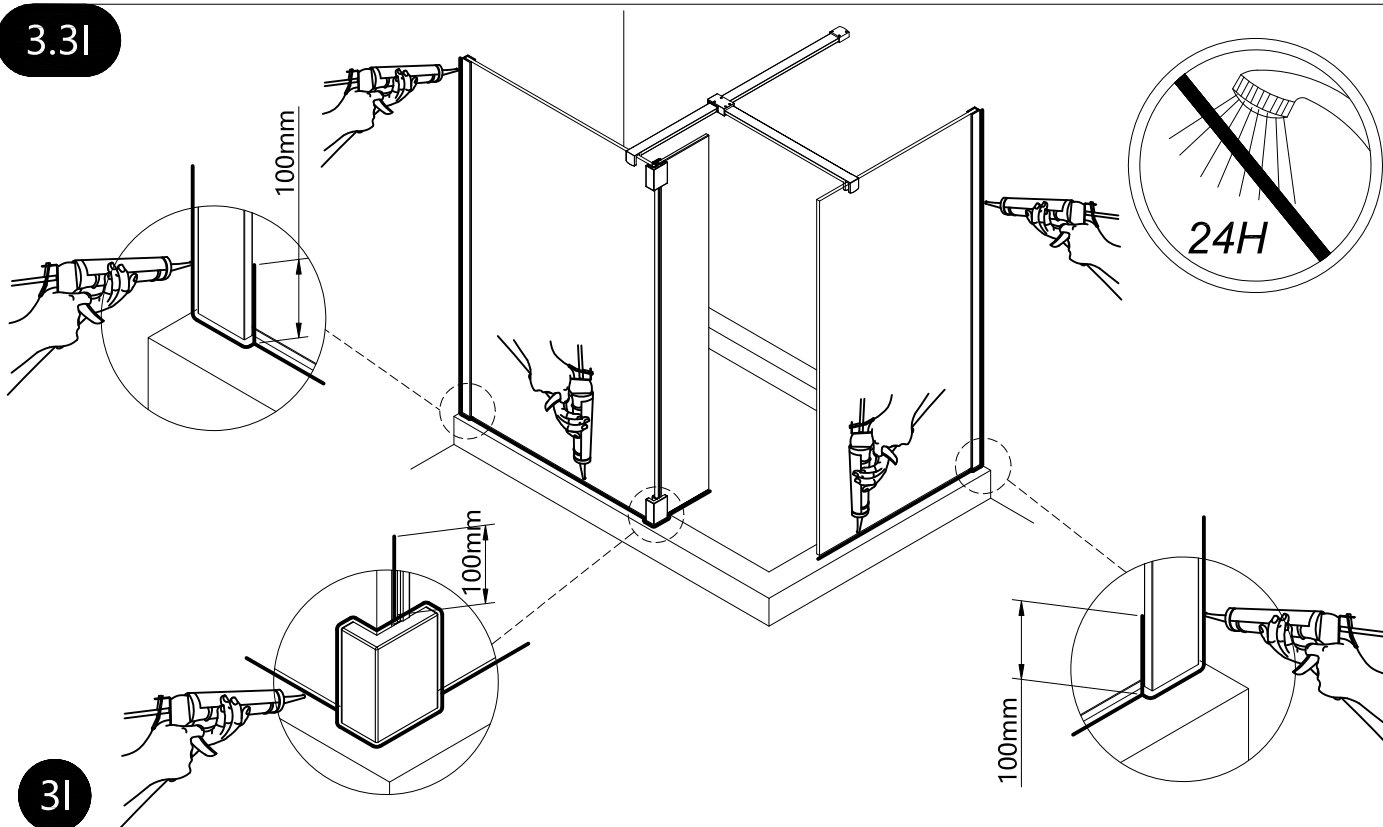


Step 46



Step 47

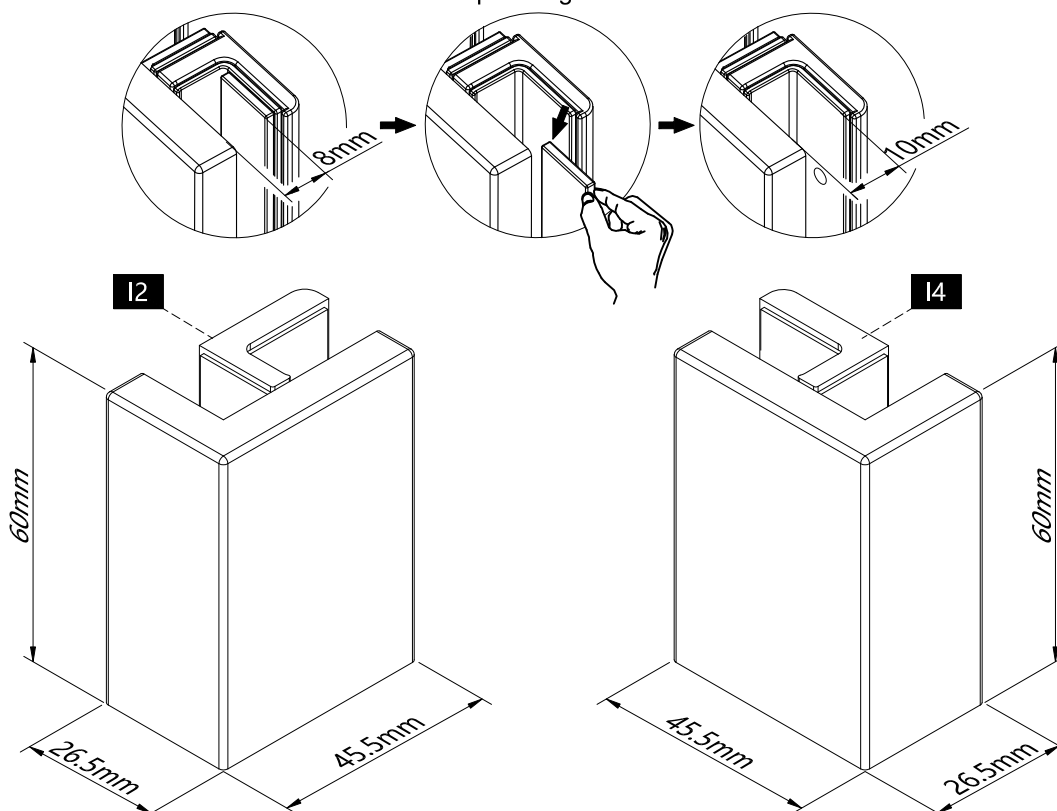
3.31



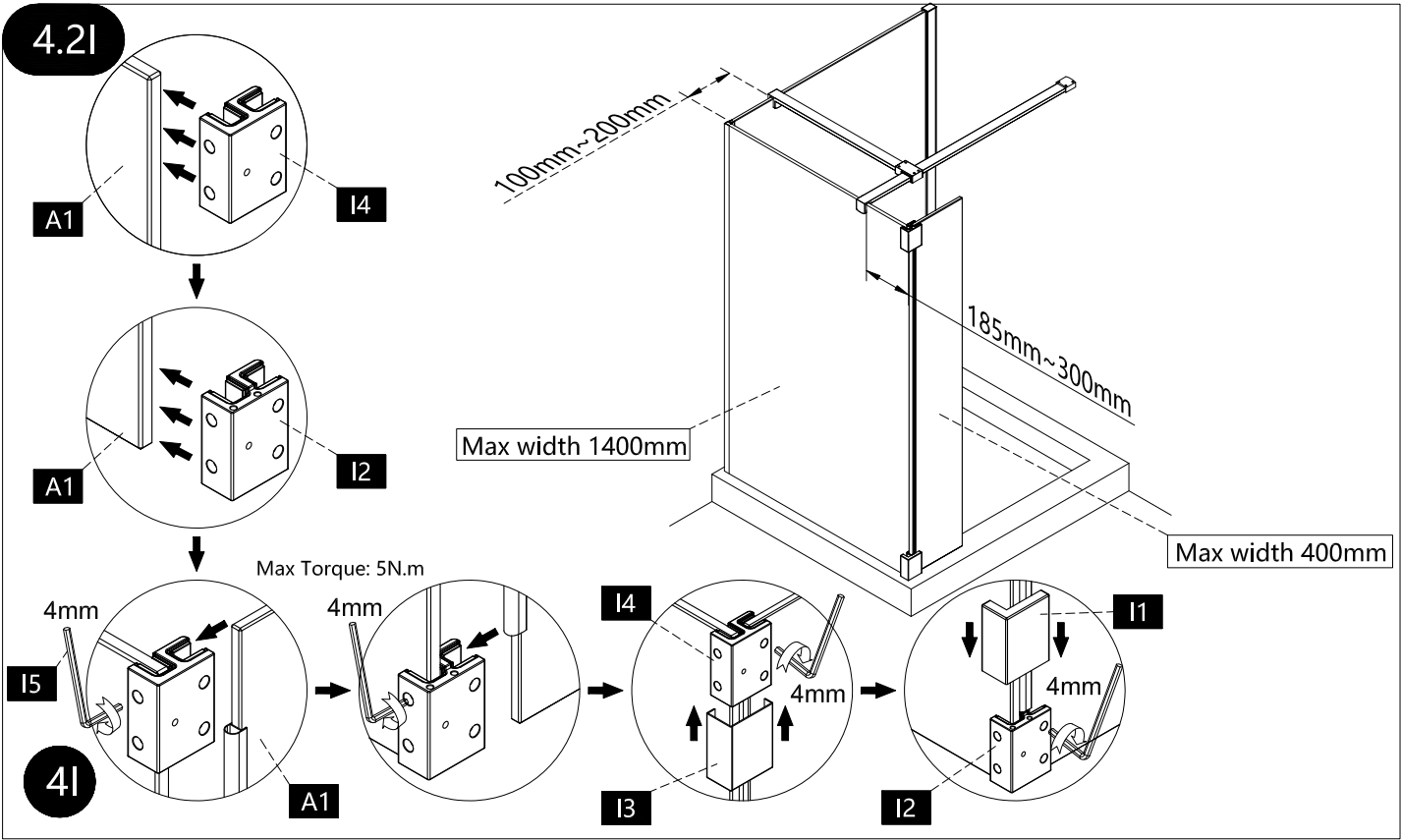
Step 48

4.11

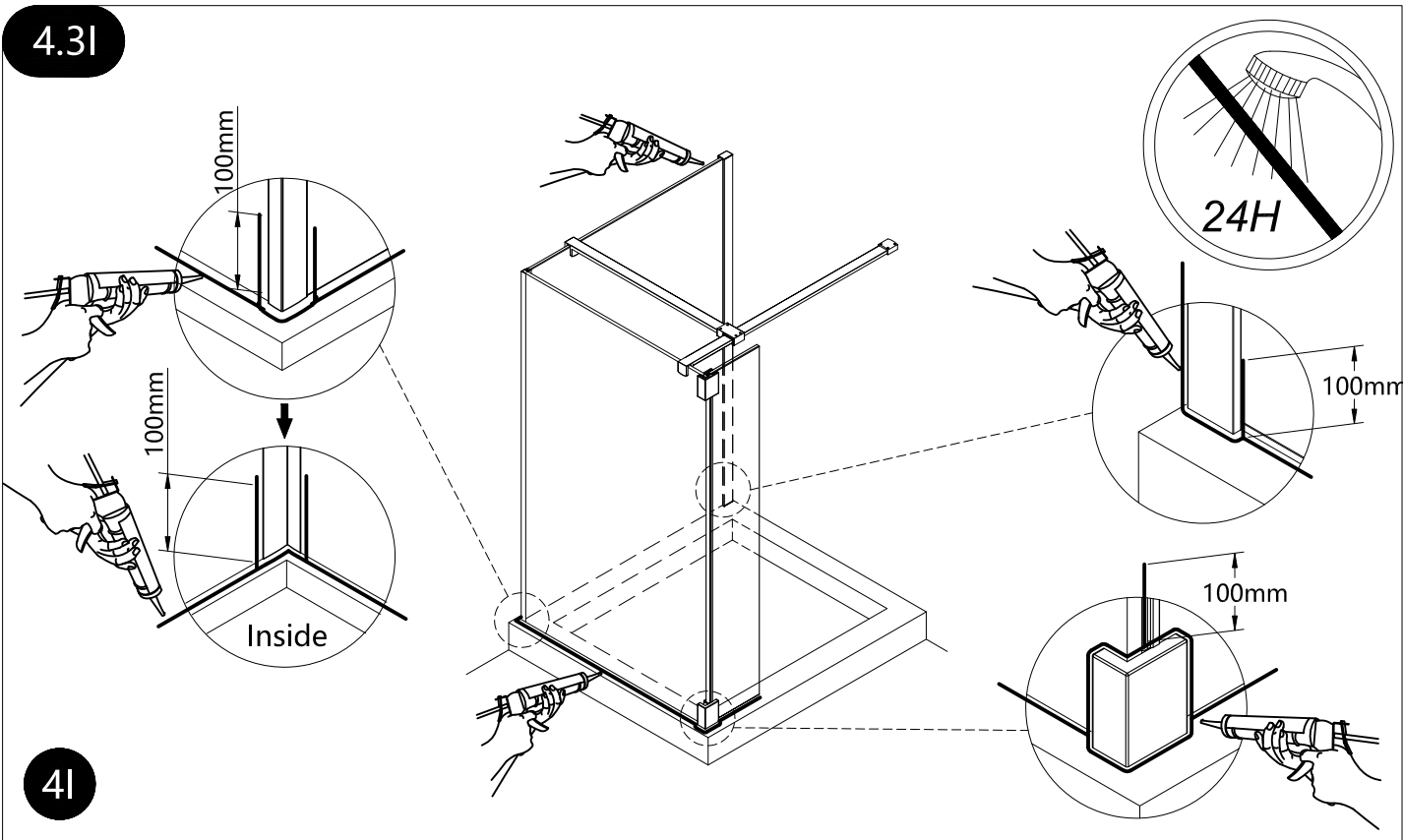
Optional gasket



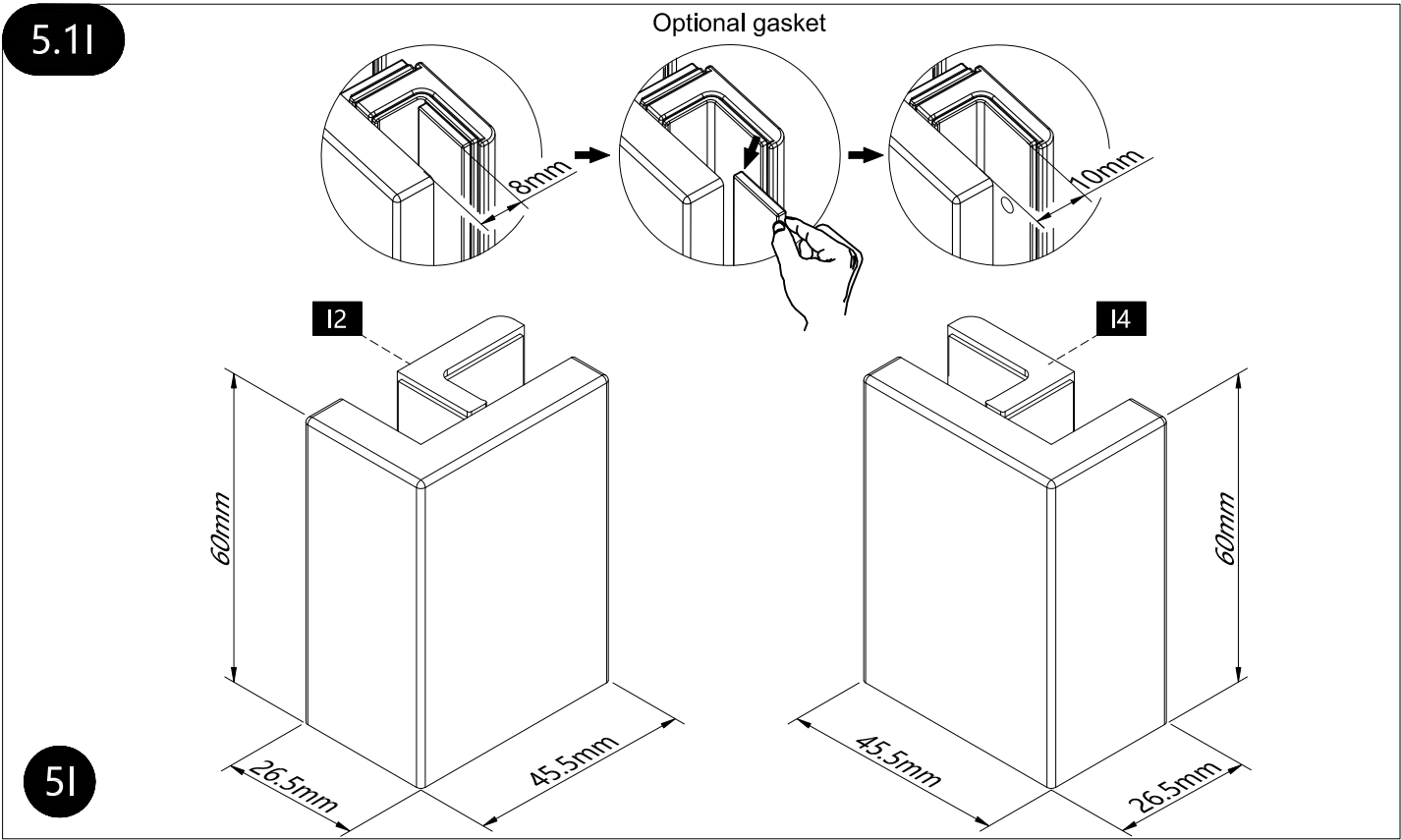
Step 49



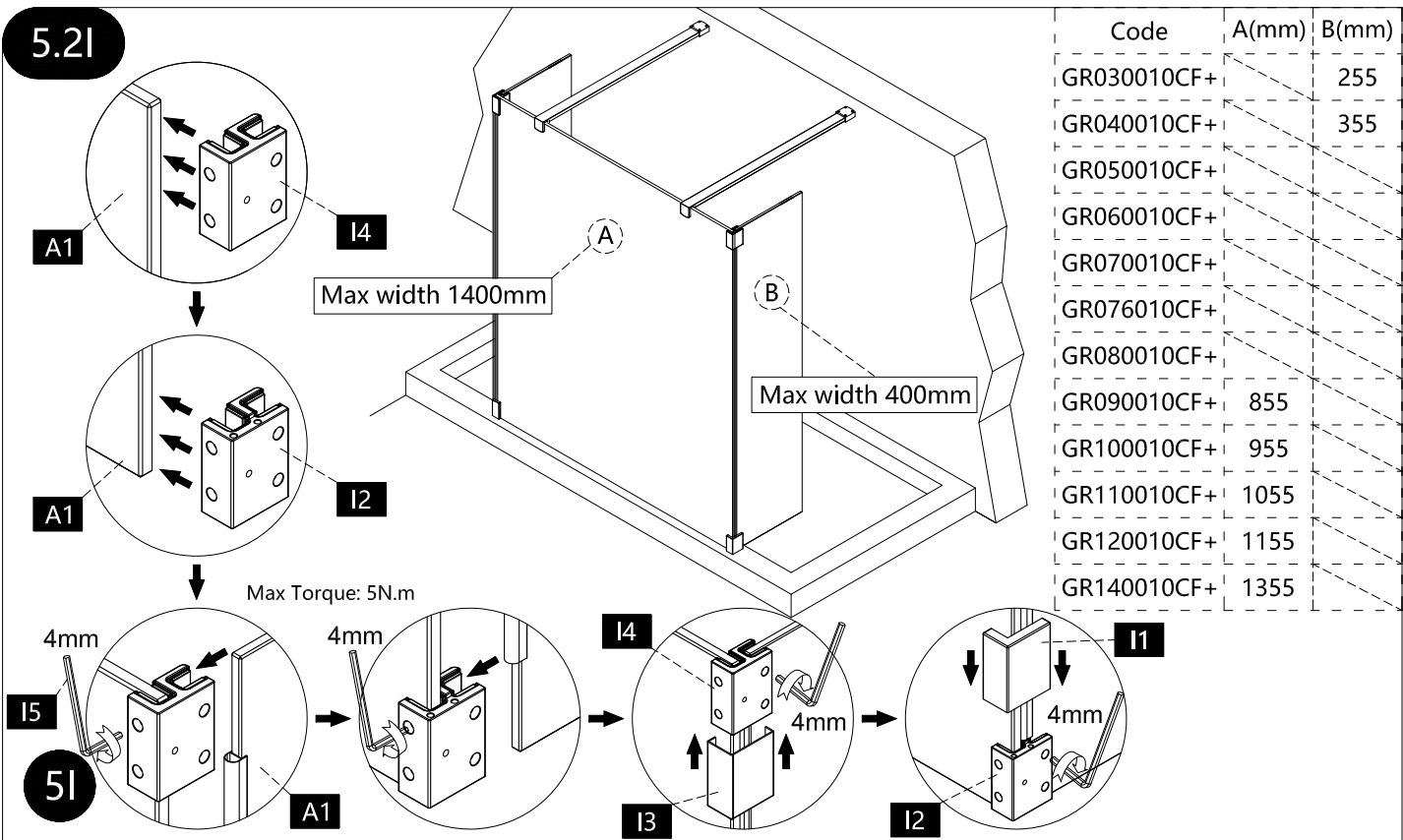
Step 50



Step 51

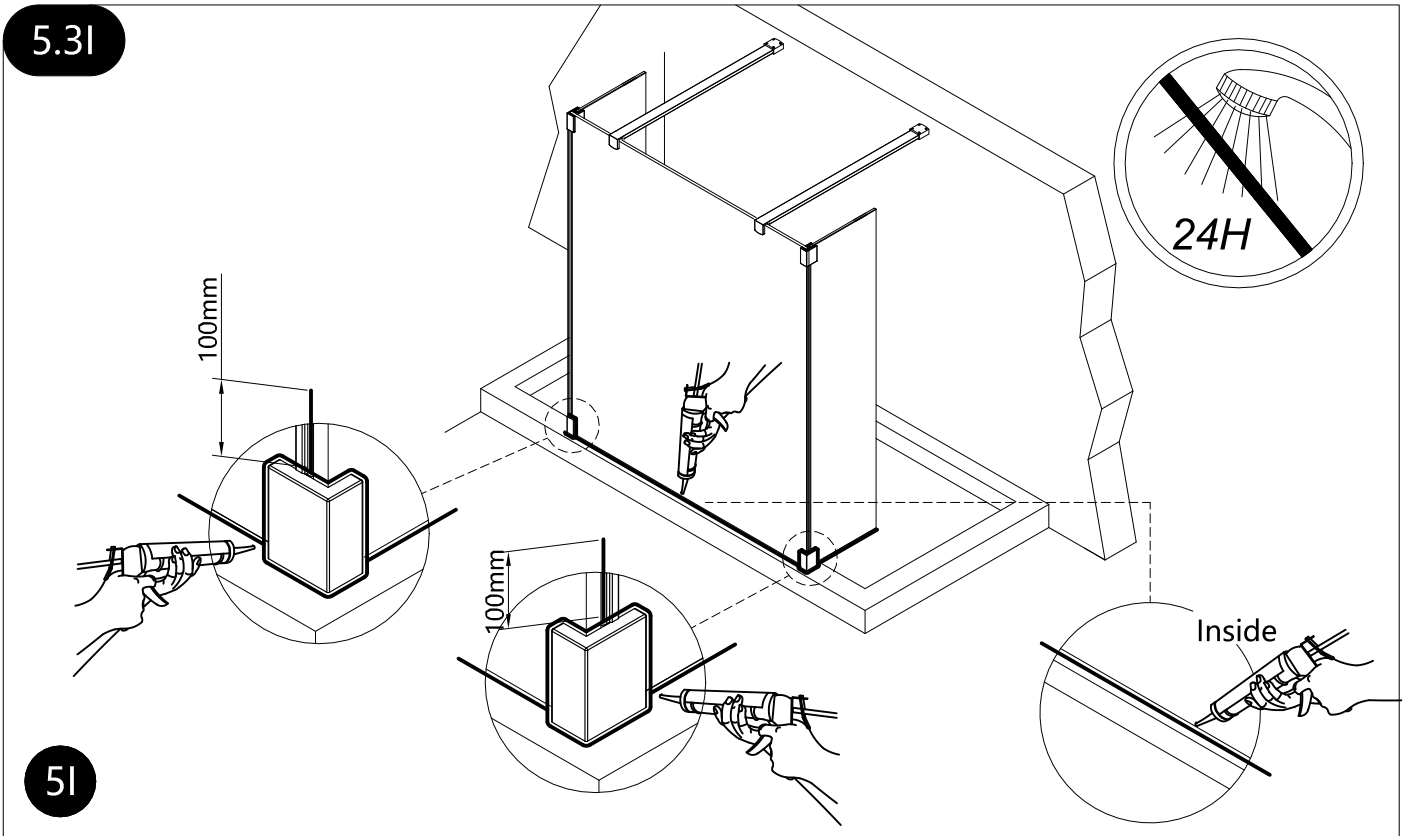


Step 52 Two way entry with fixed deflector panels



Step 53

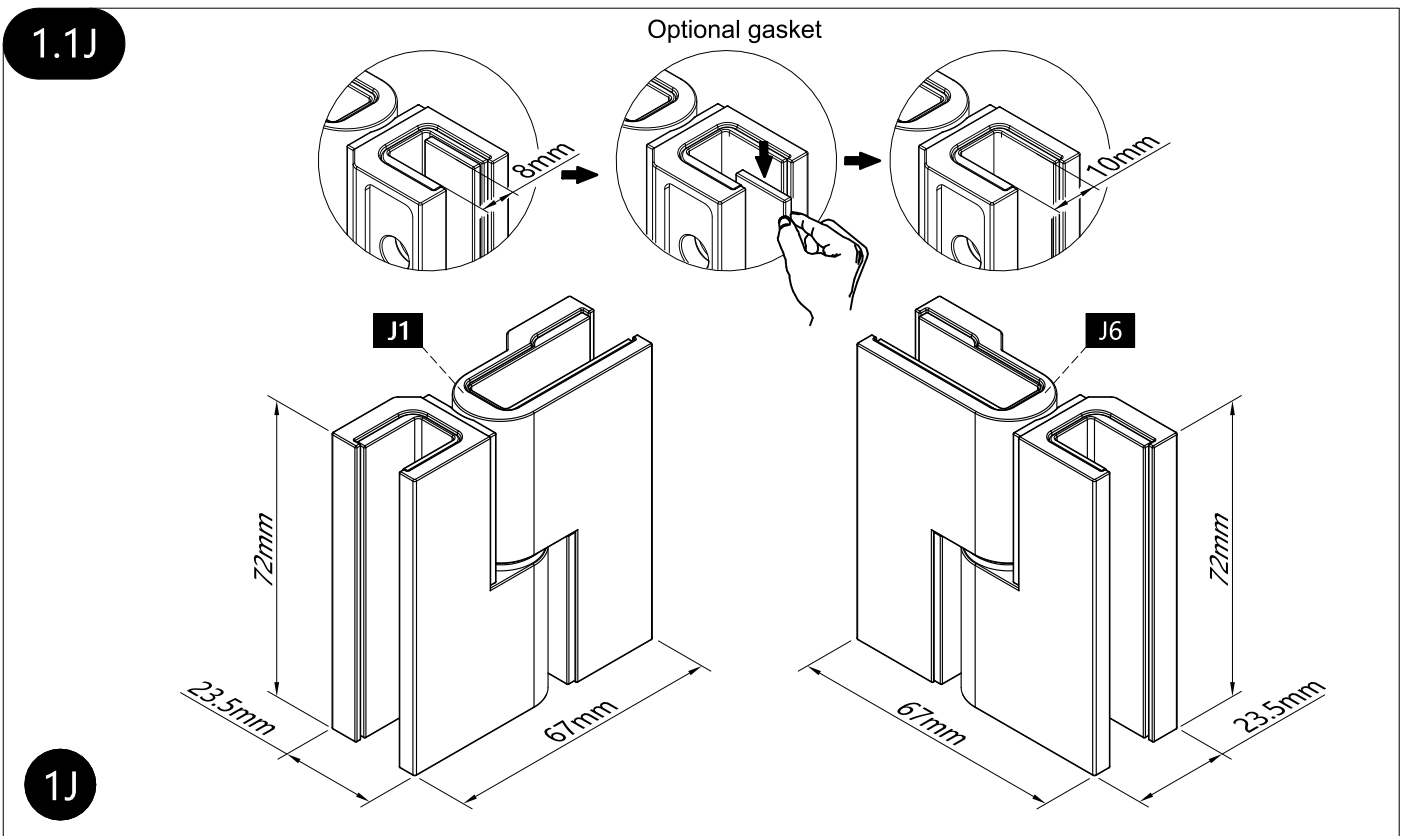
5.3I



5I

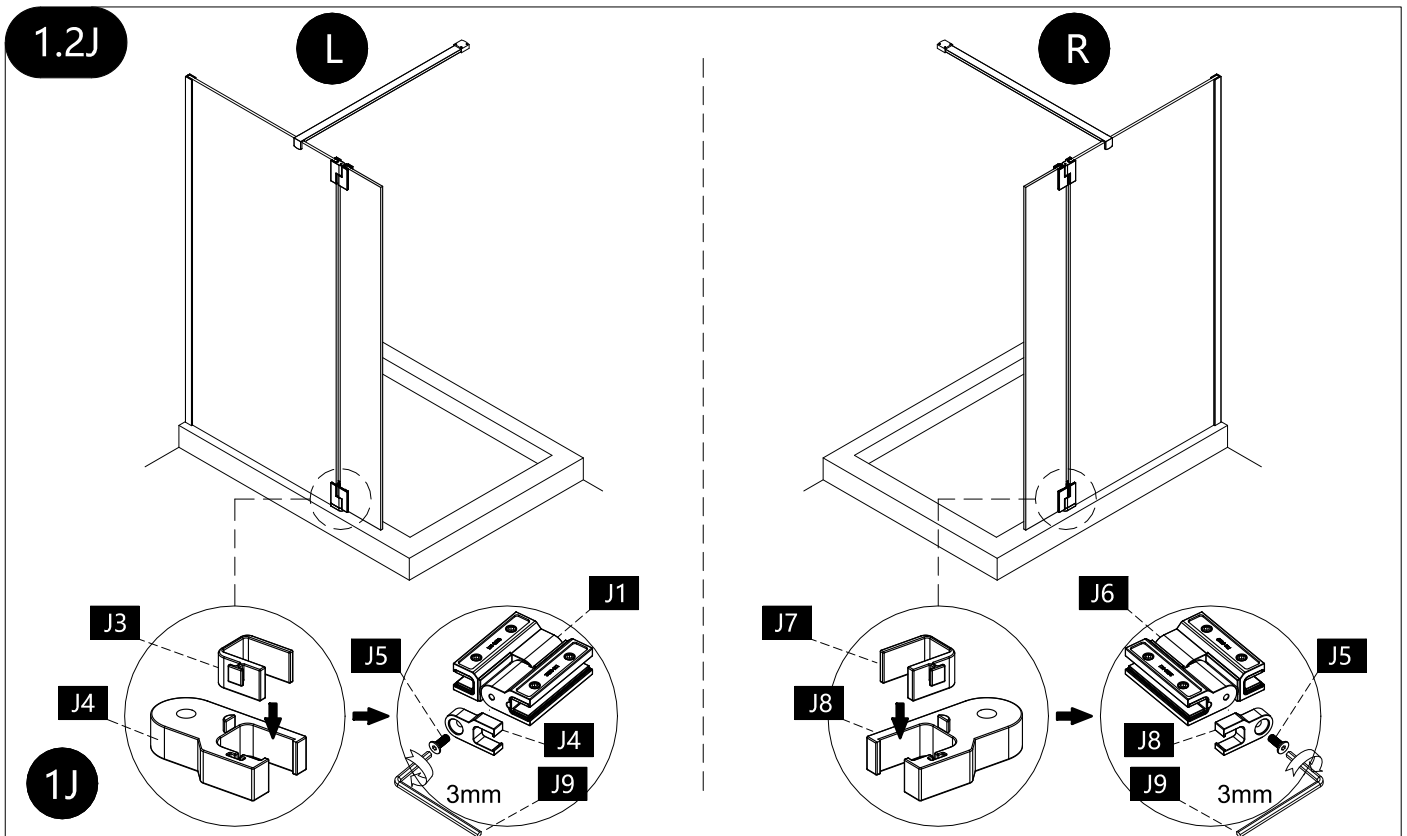
Step 54 180° Deflector Panel

1.1J

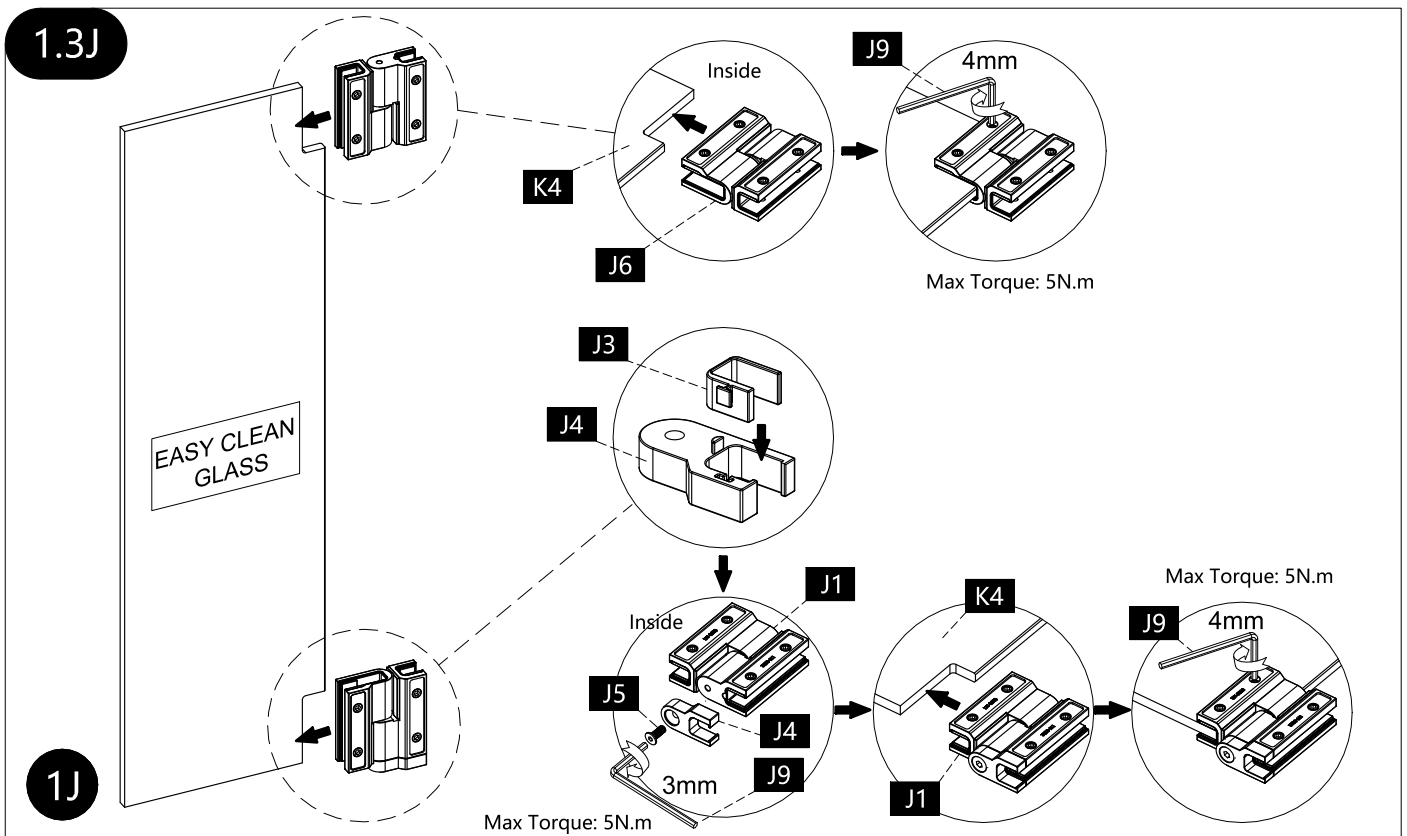


1J

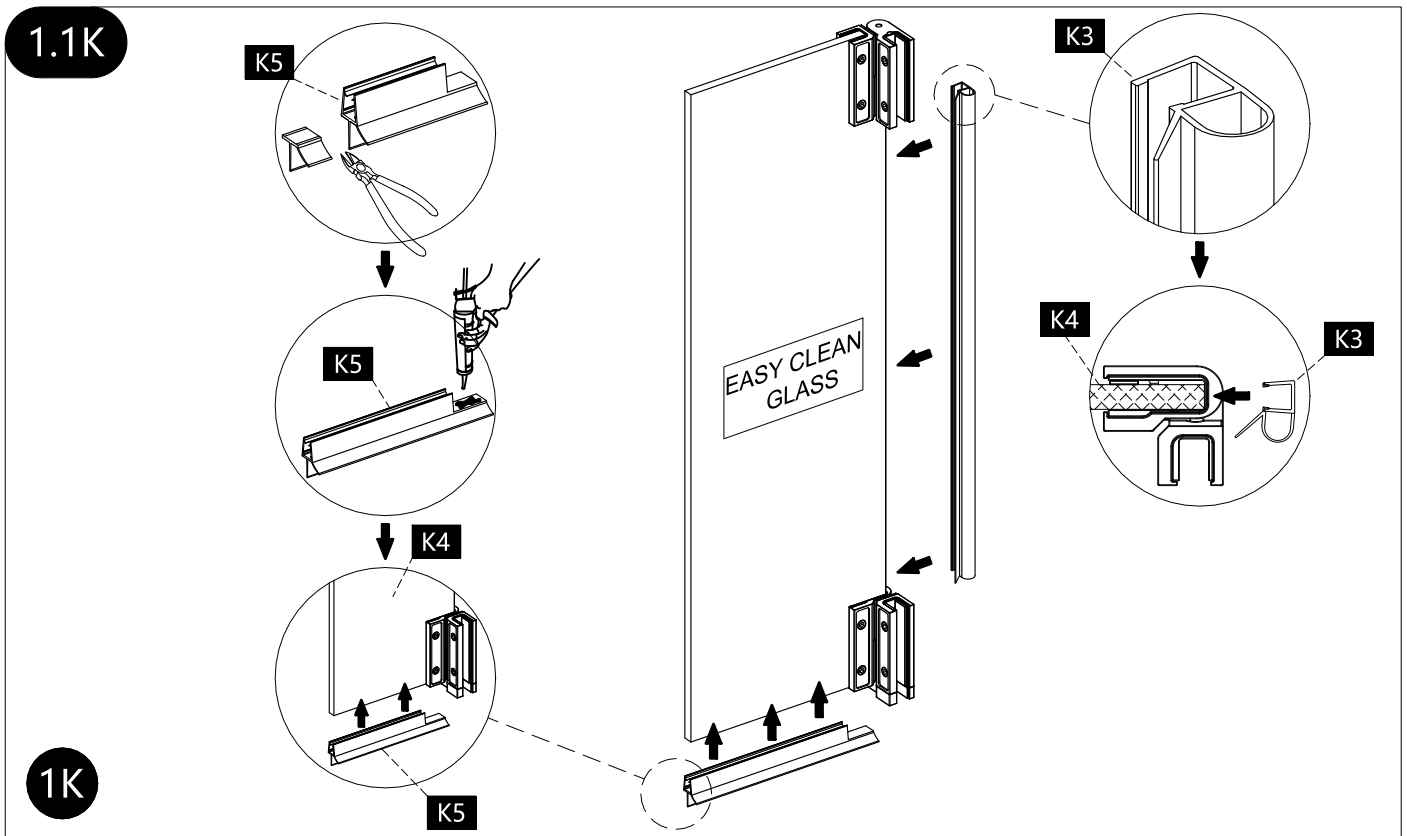
Step 55



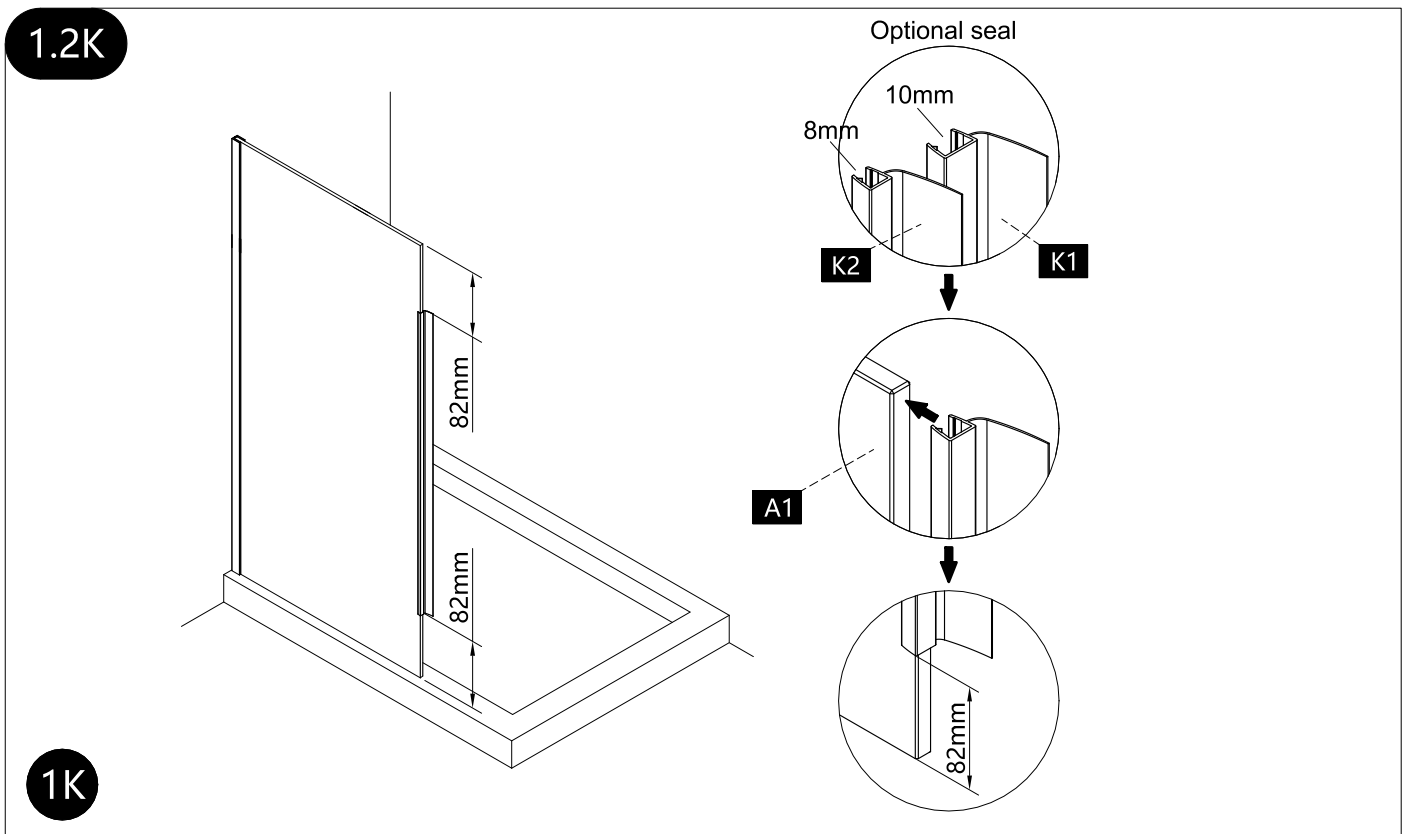
Step 56



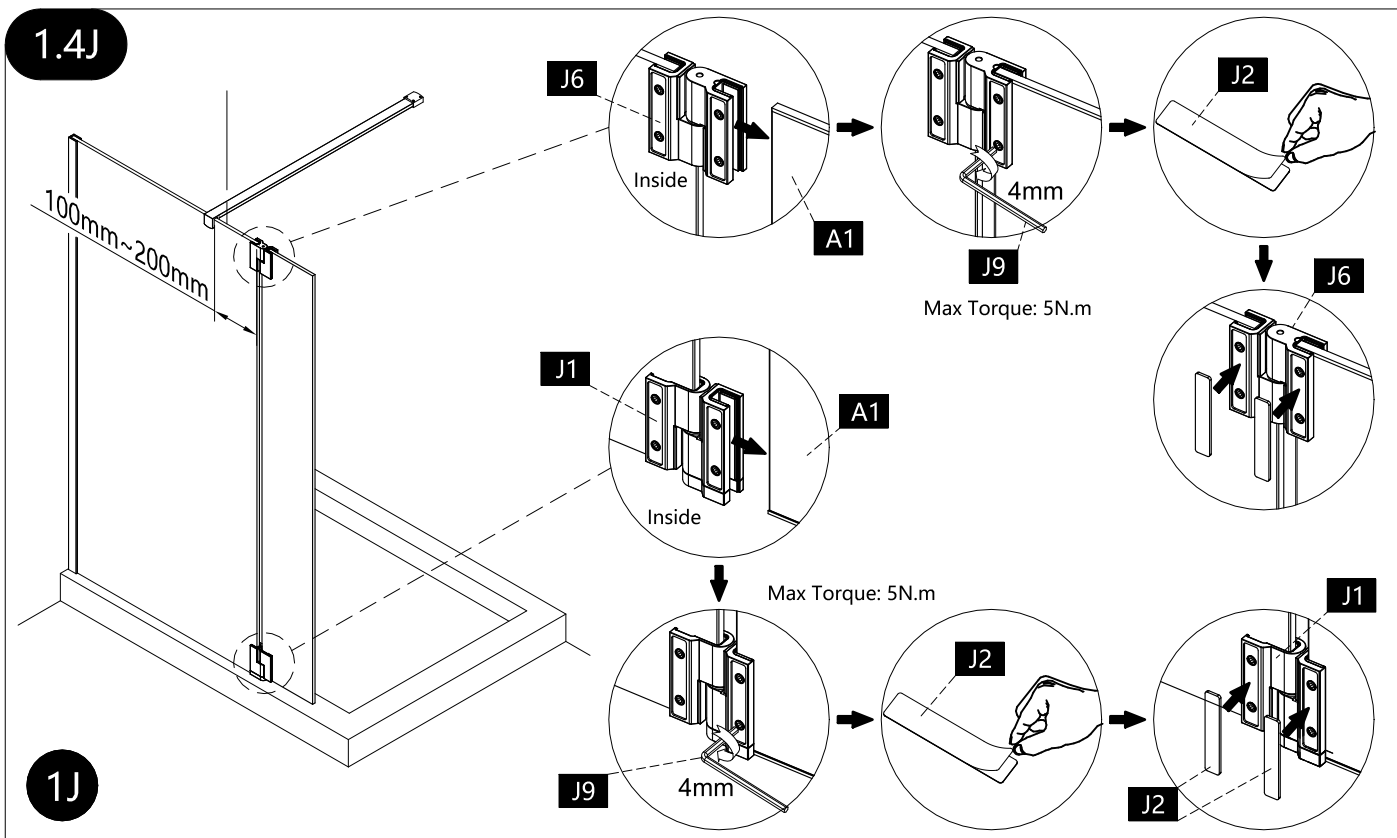
Step 57



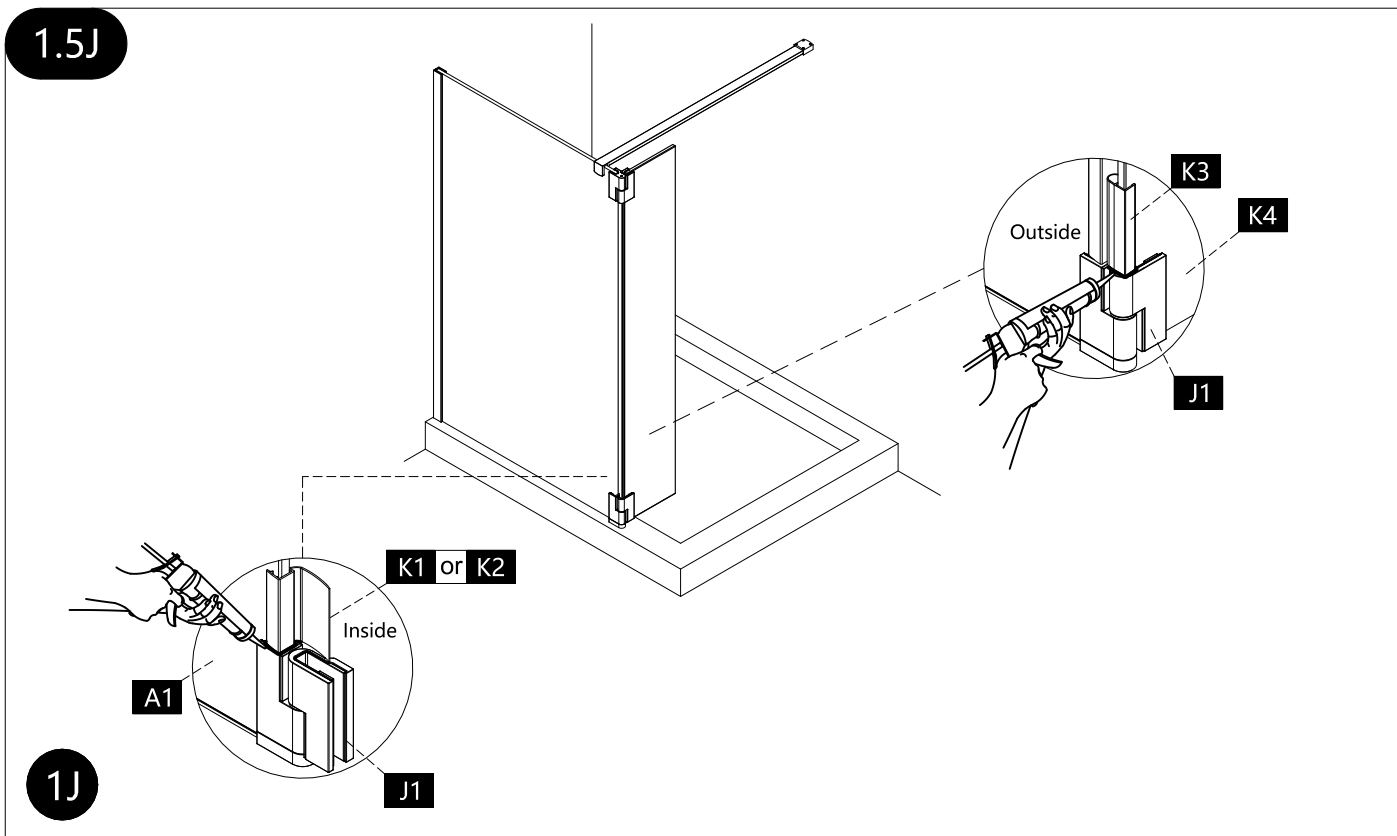
Step 58



Step 59

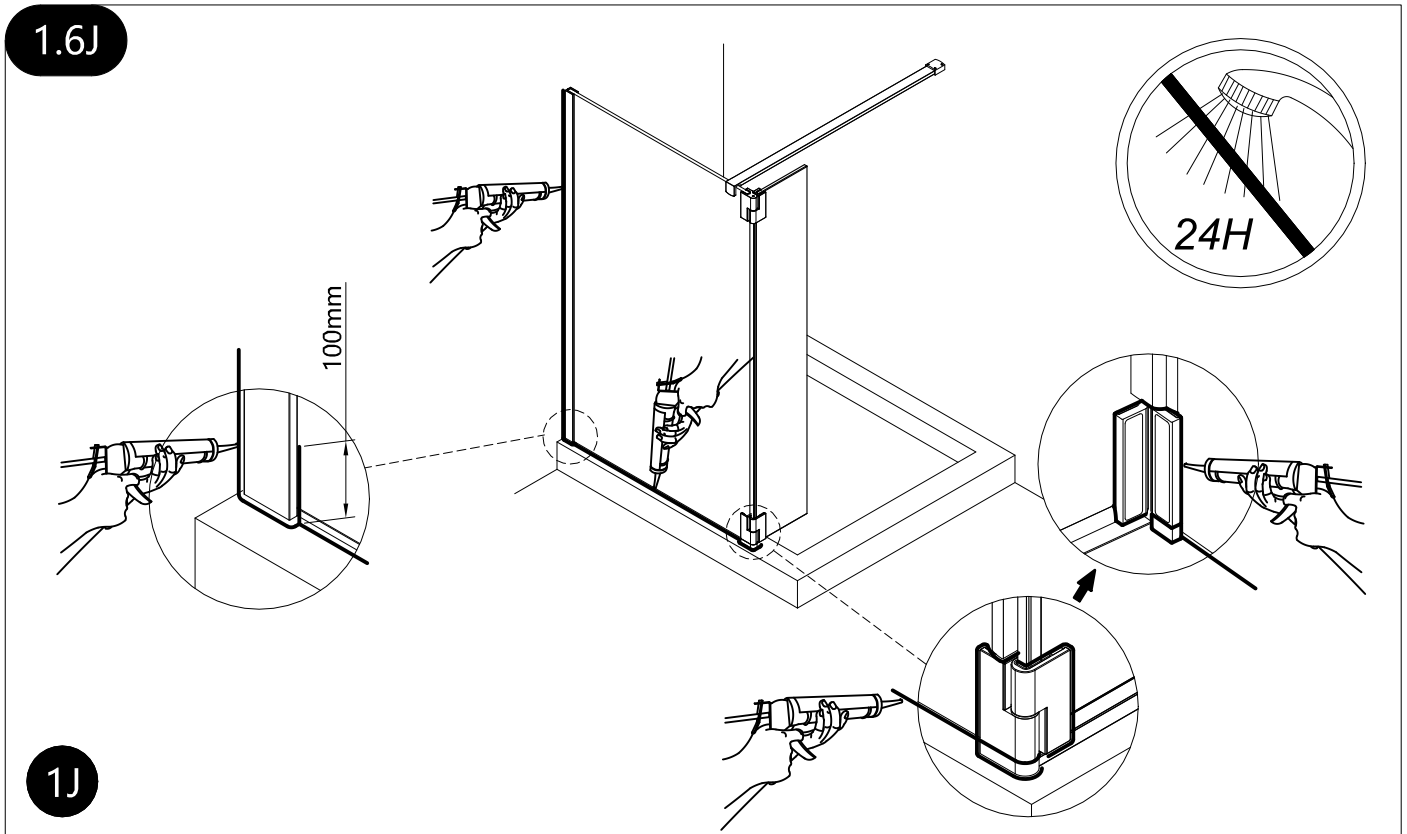


Step 60



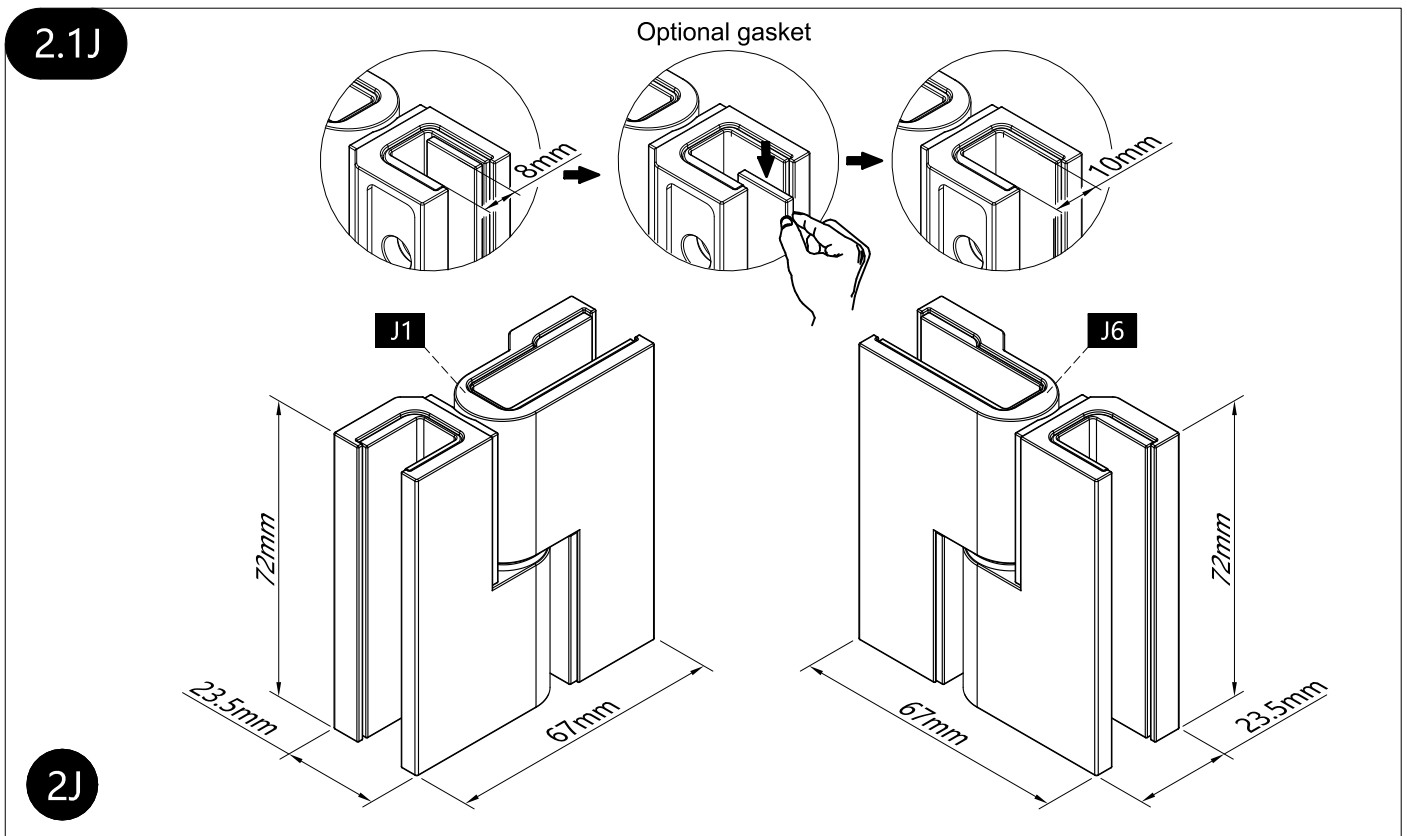
Step 61

1.6J

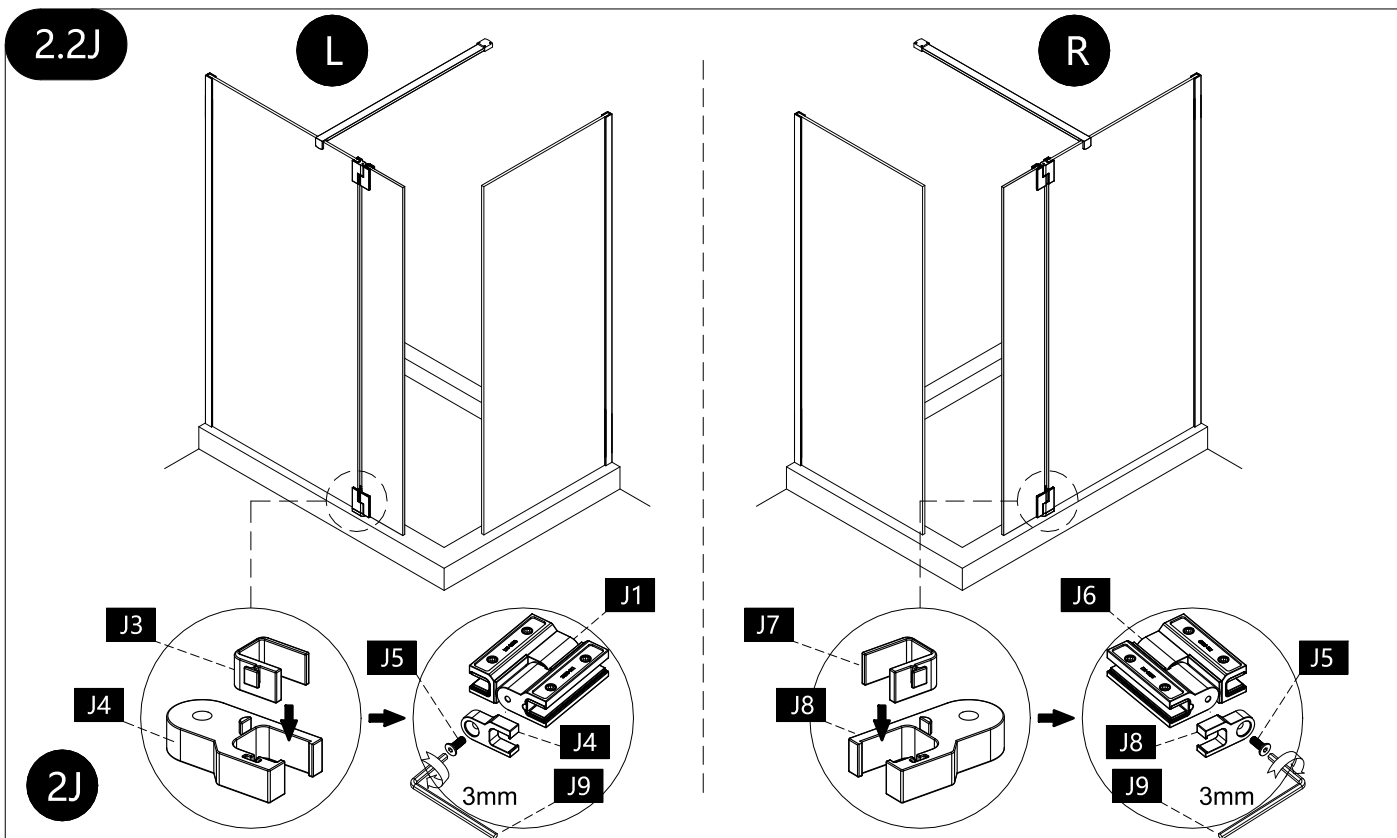


Step 62

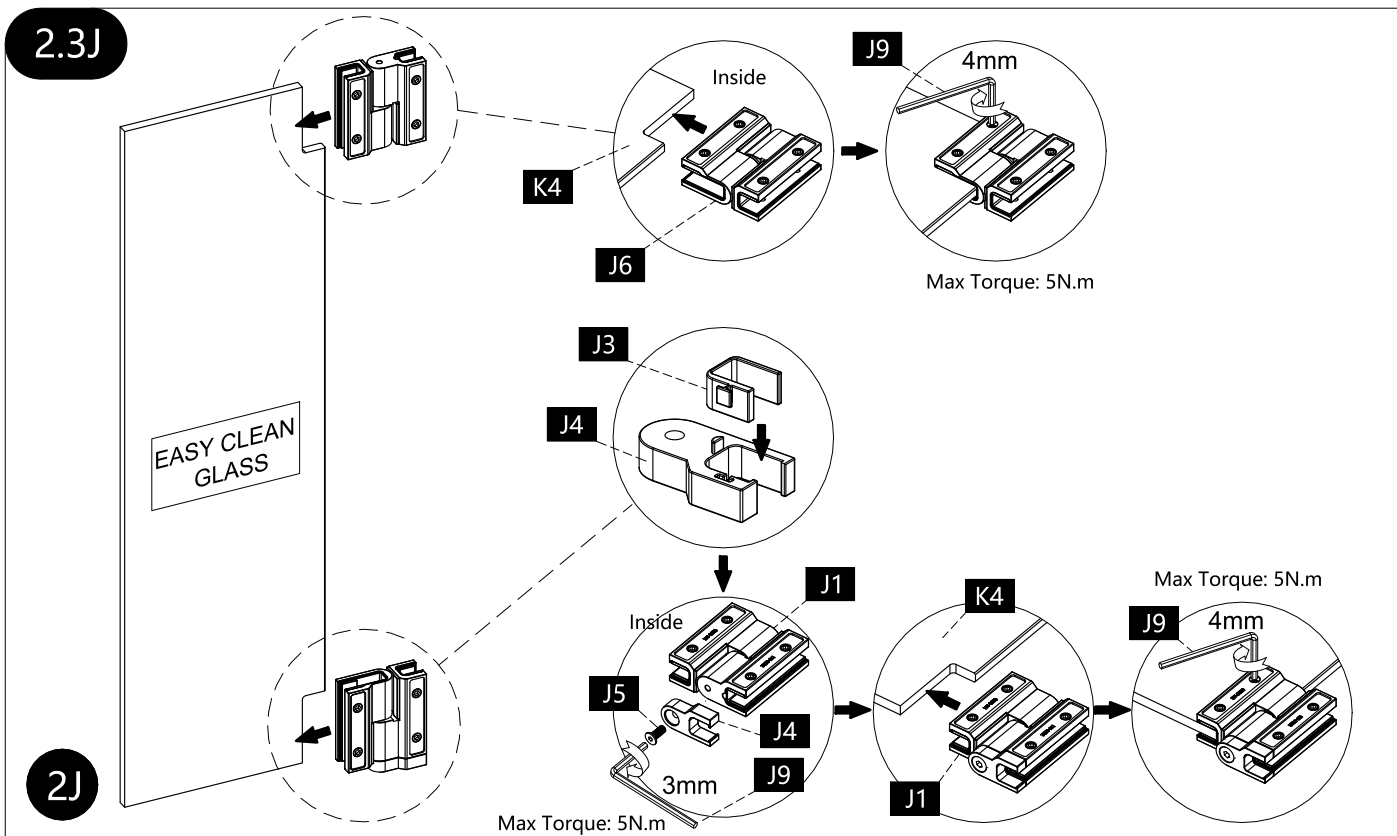
2.1J



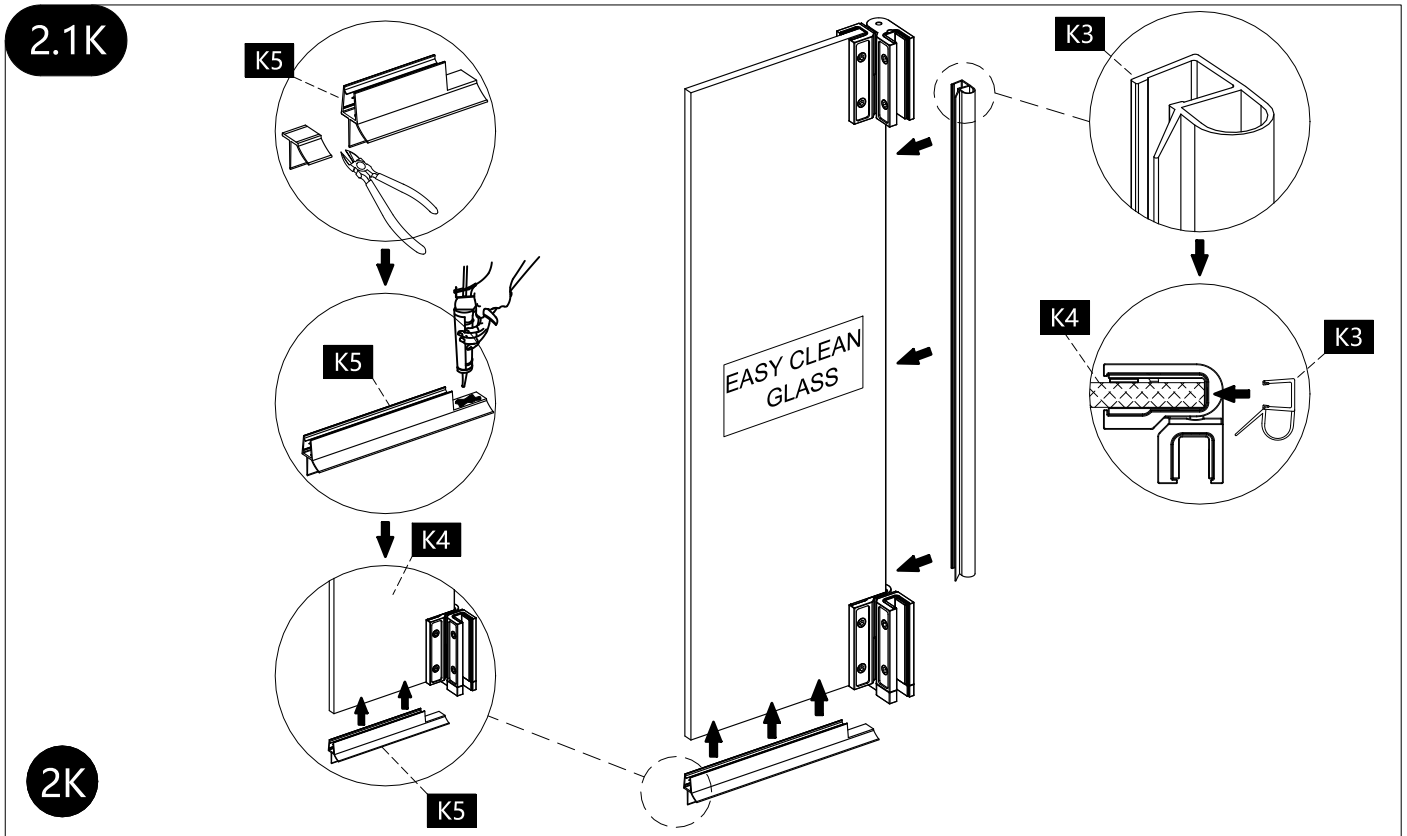
Step 63



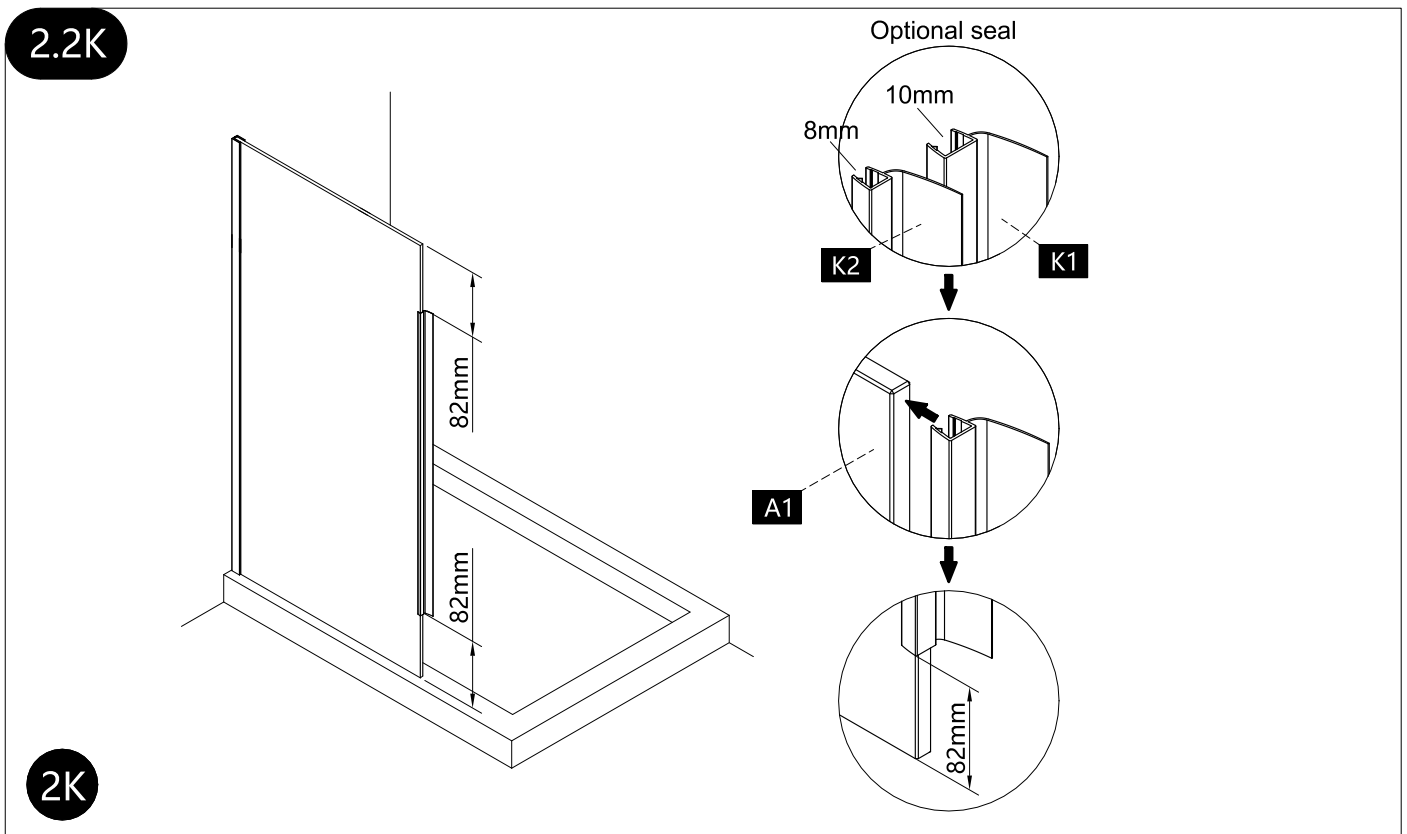
Step 64



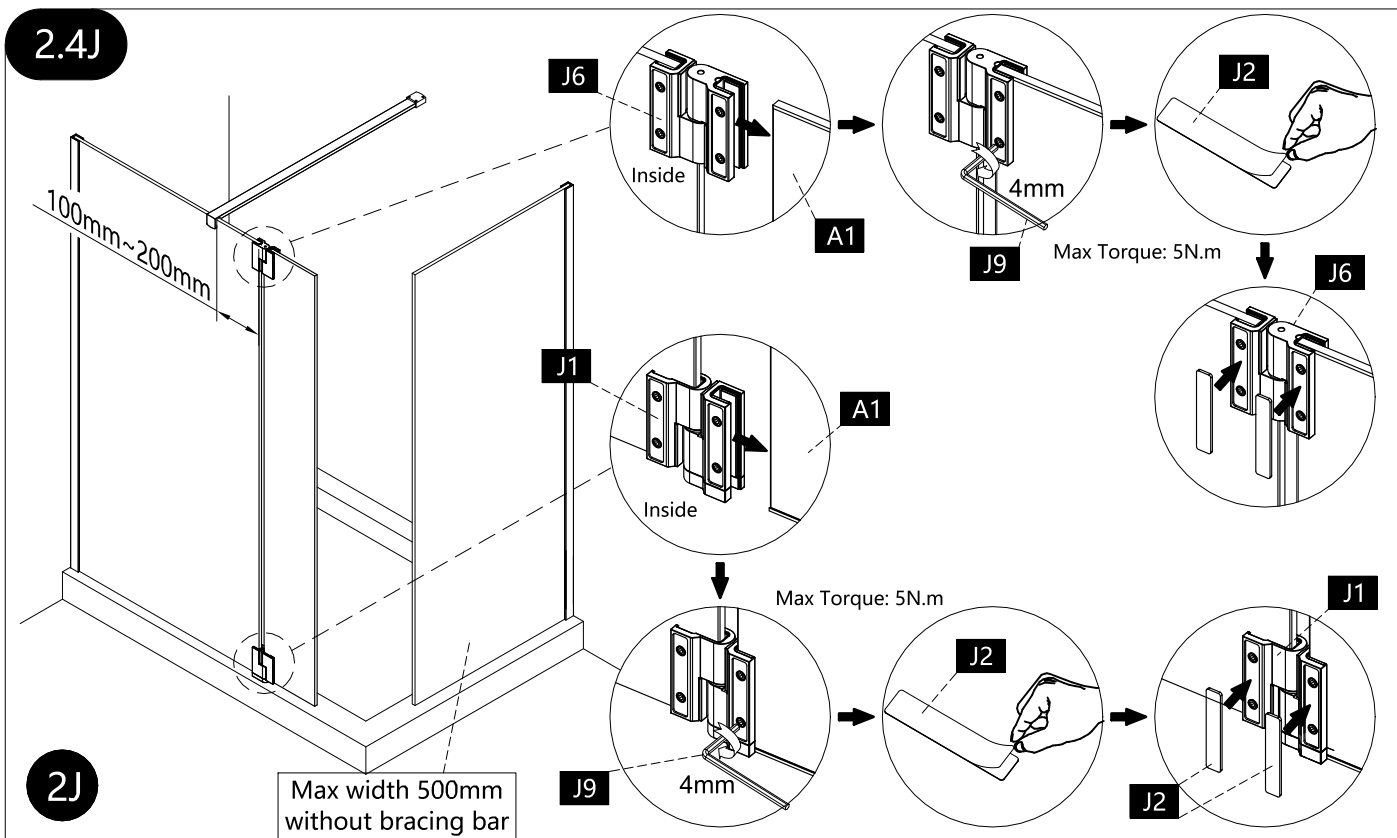
Step 65



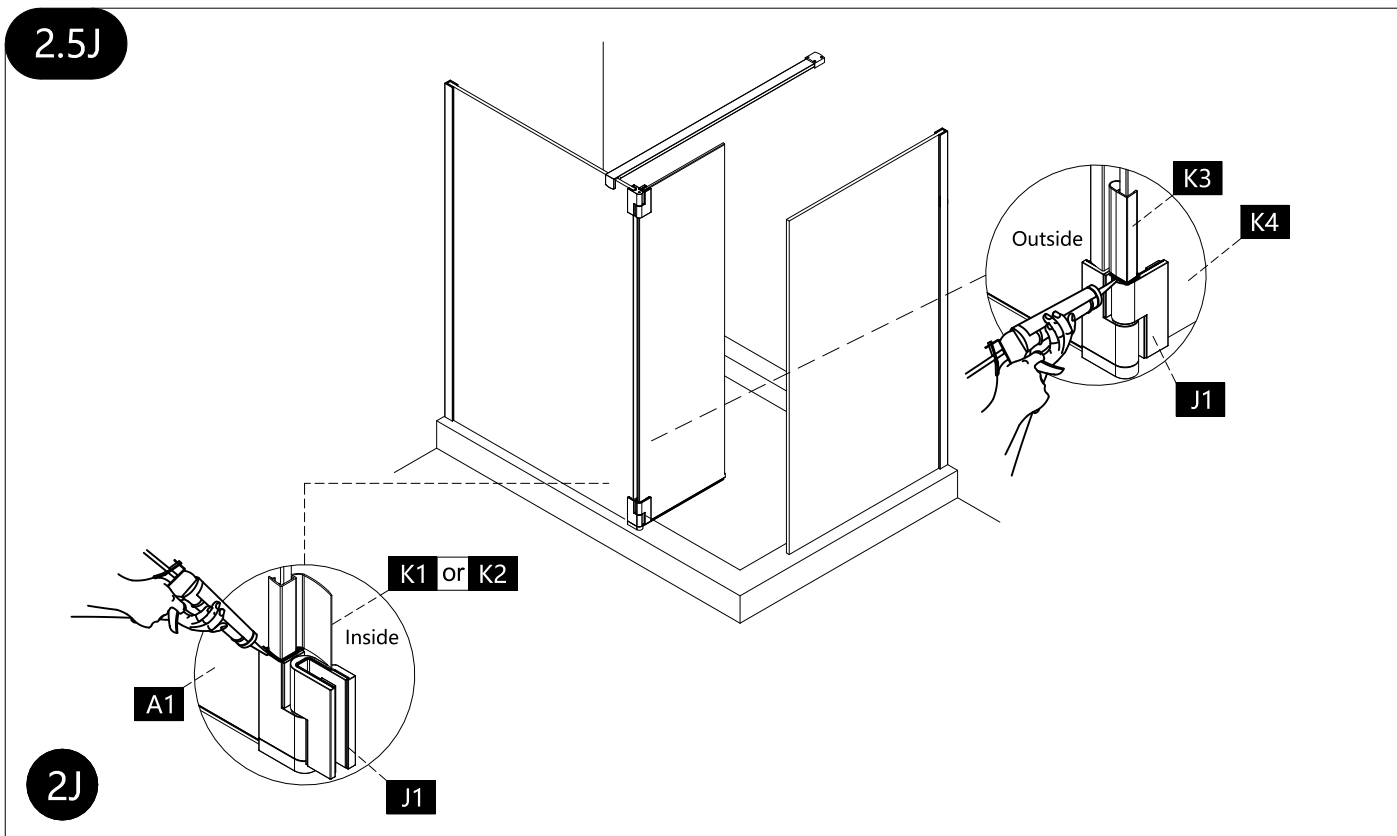
Step 66



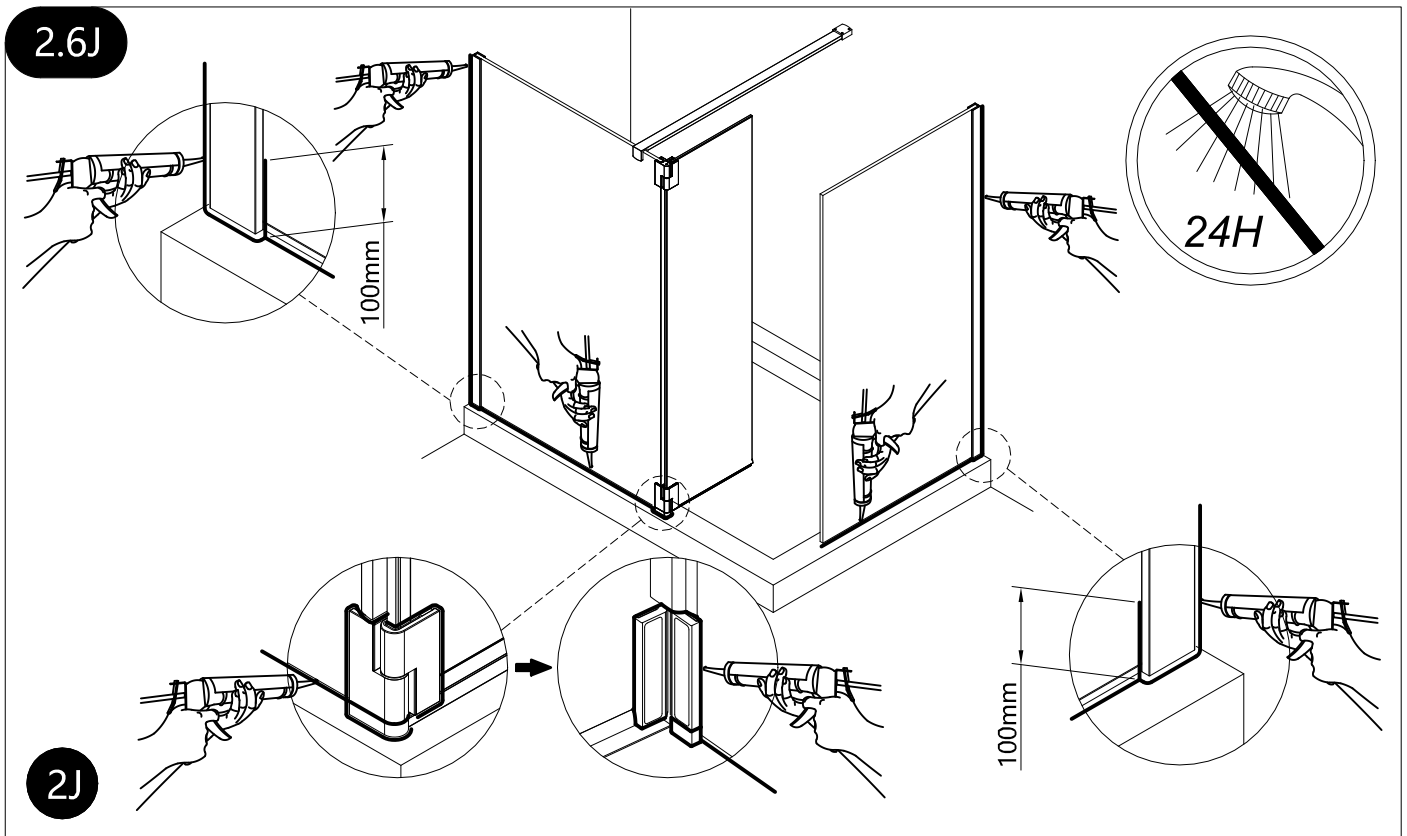
Step 67



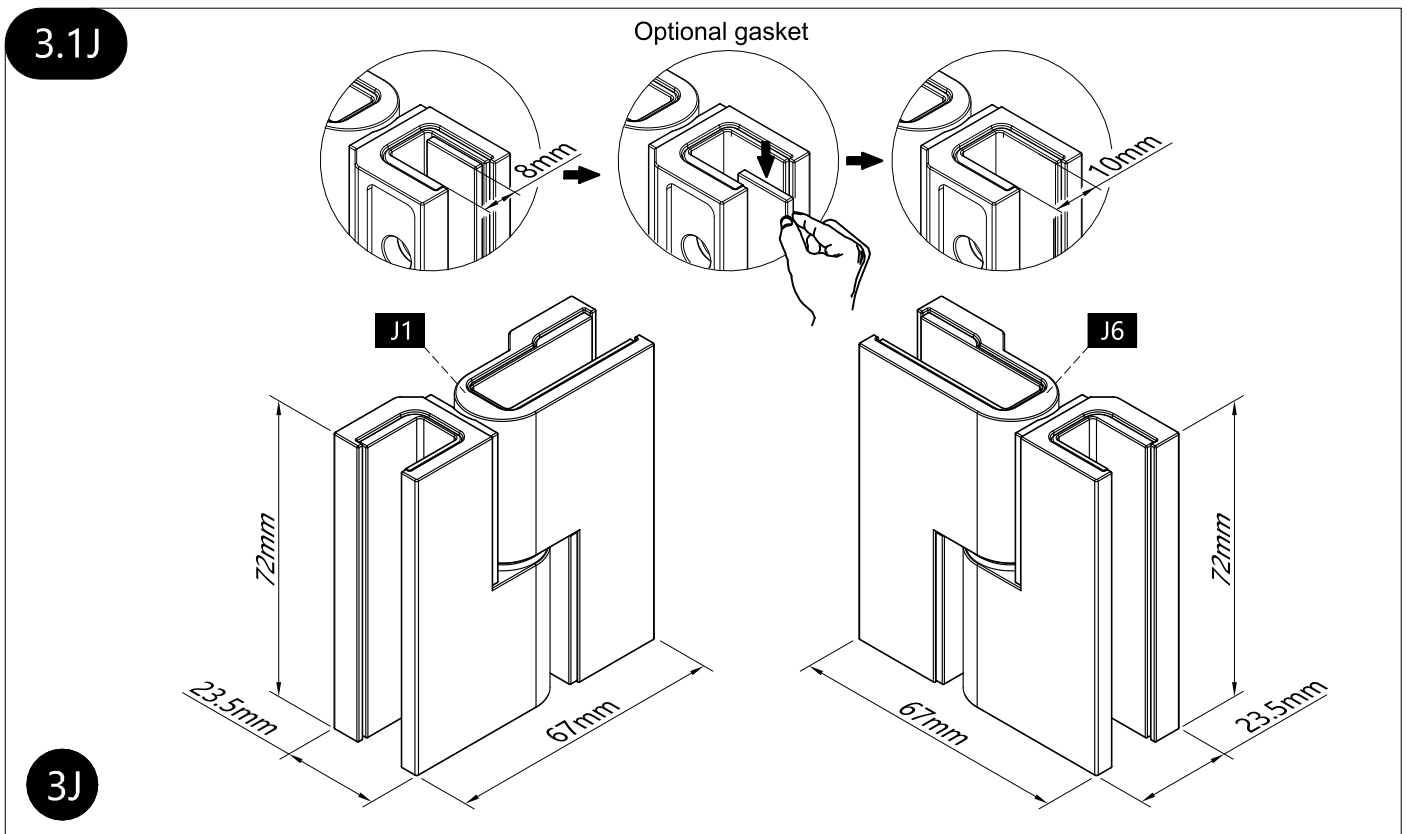
Step 68



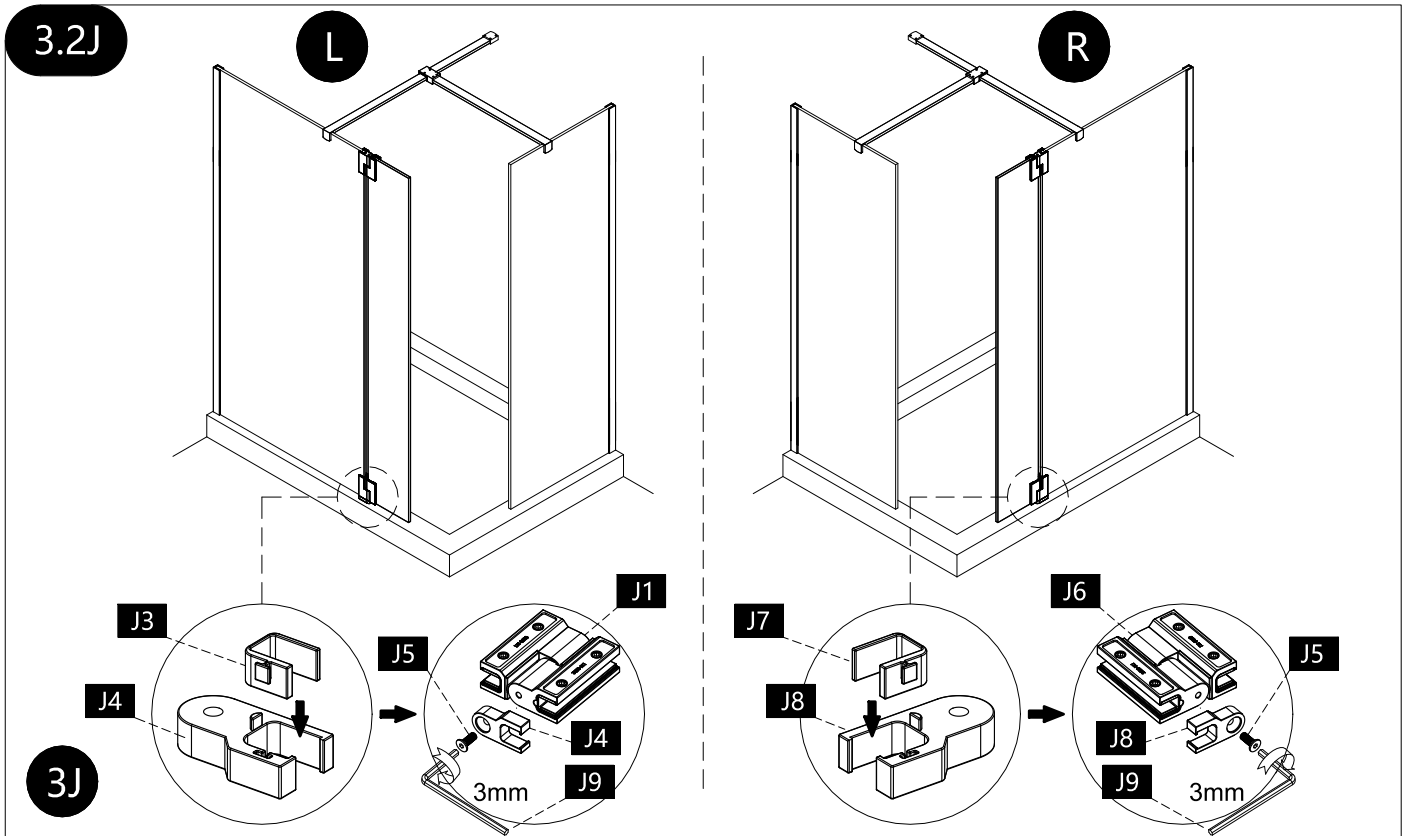
Step 69



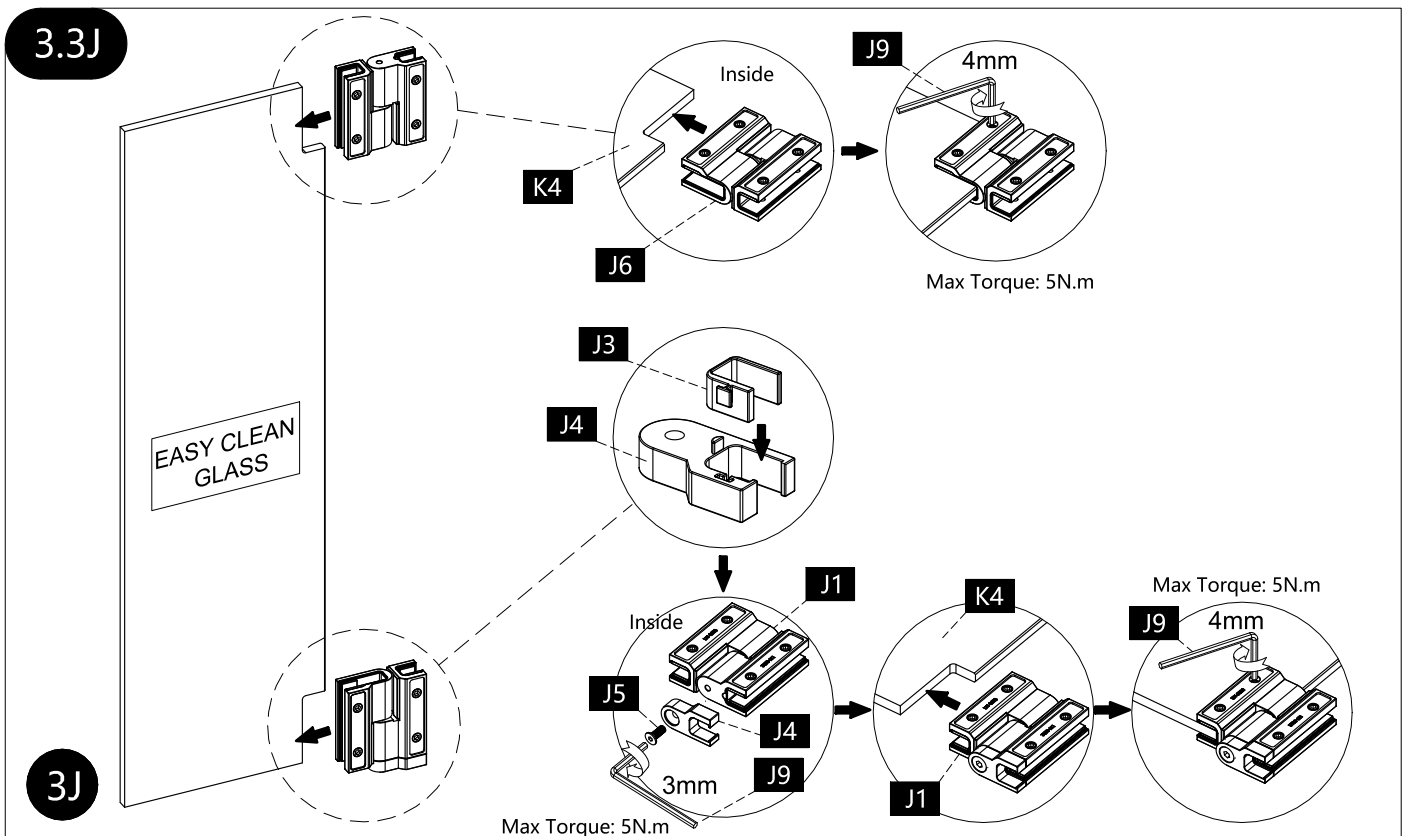
Step 70



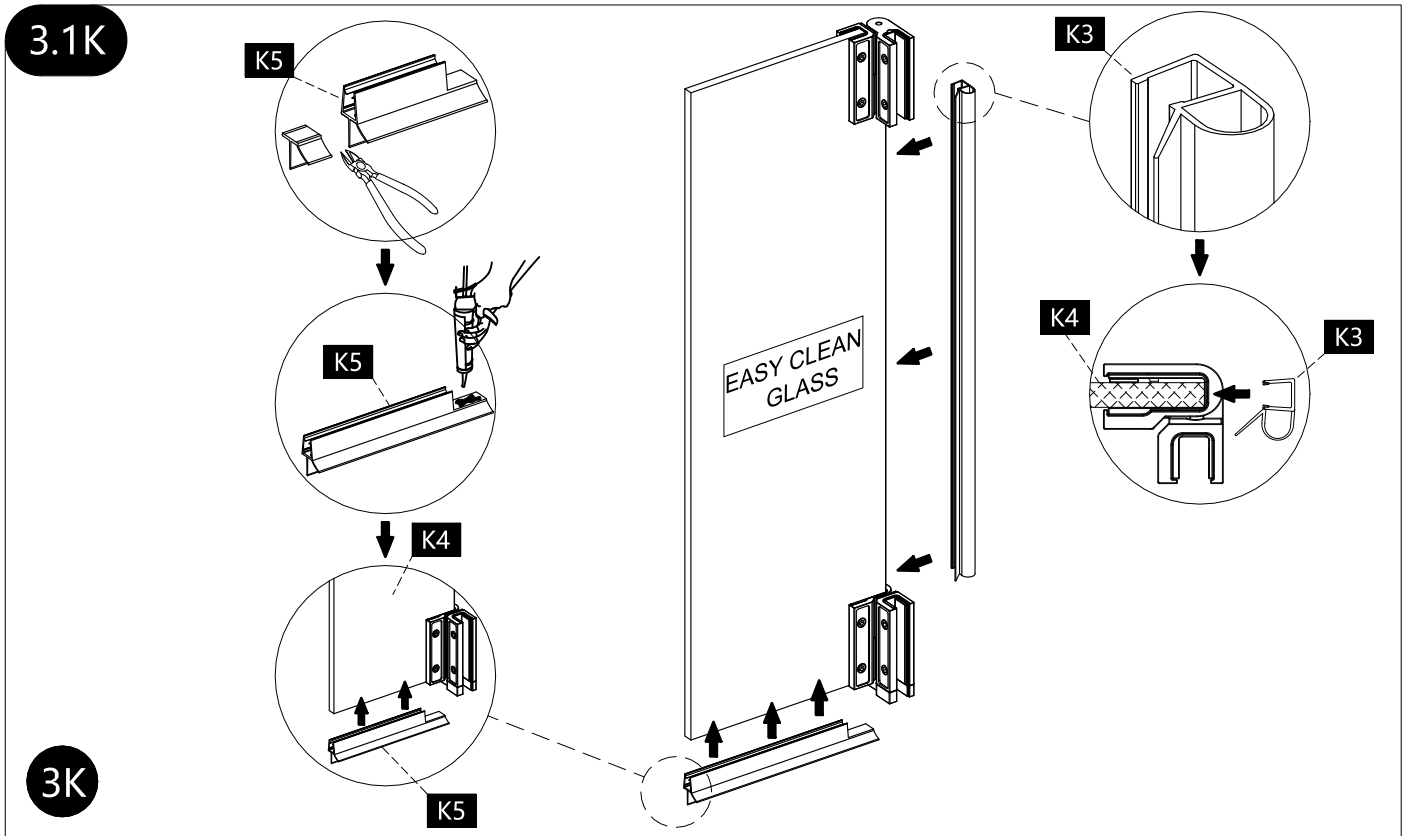
Step 71



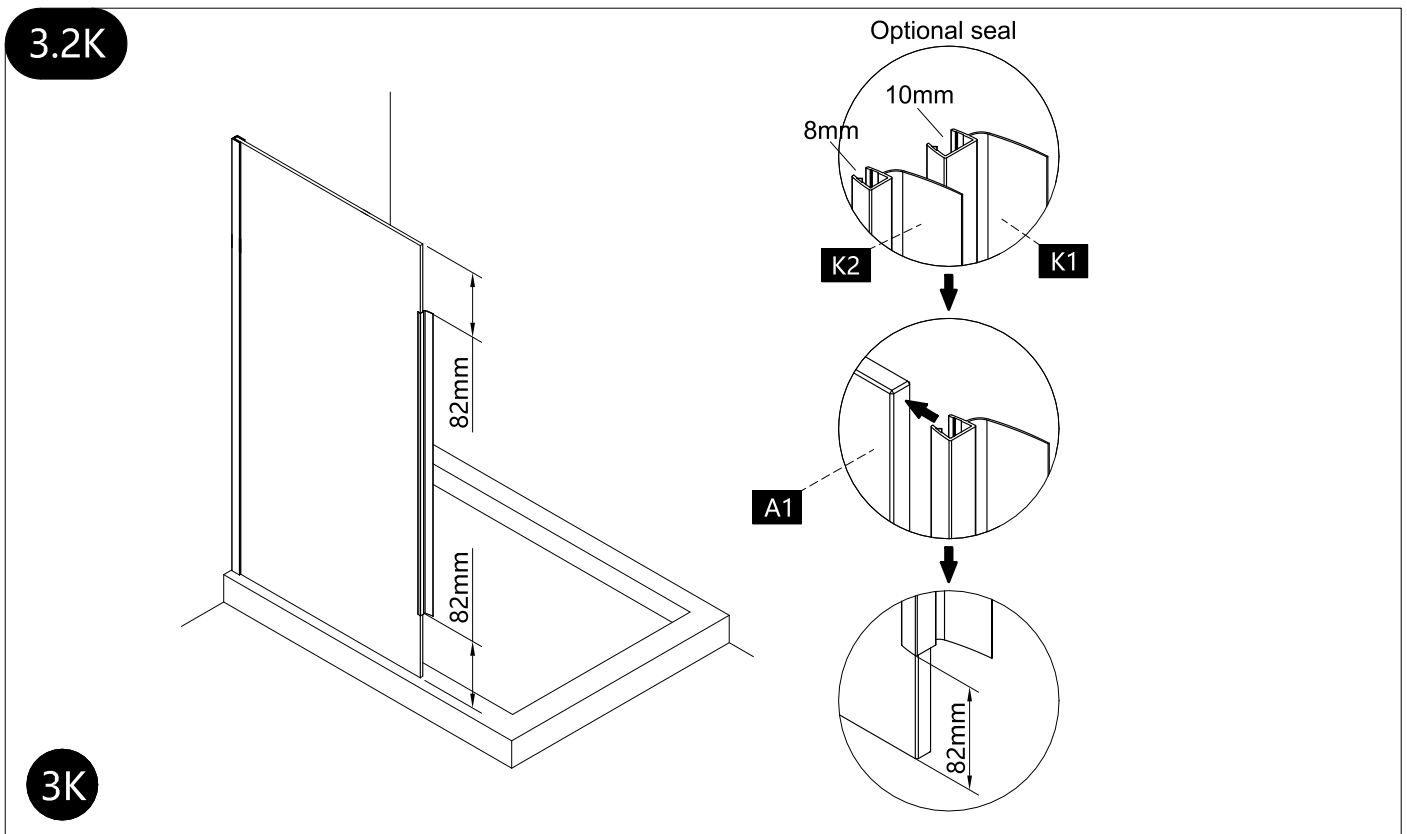
Step 72



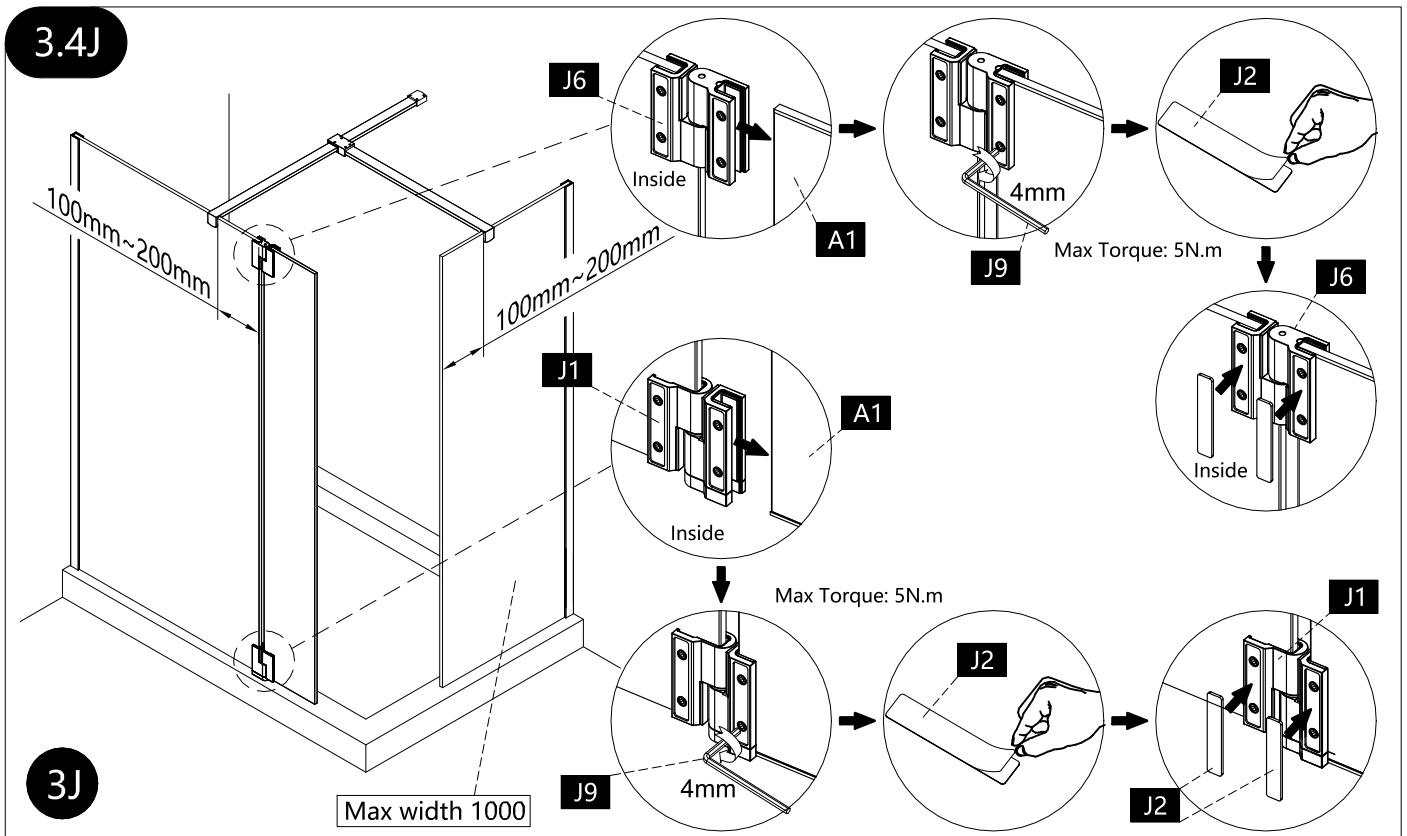
Step 73



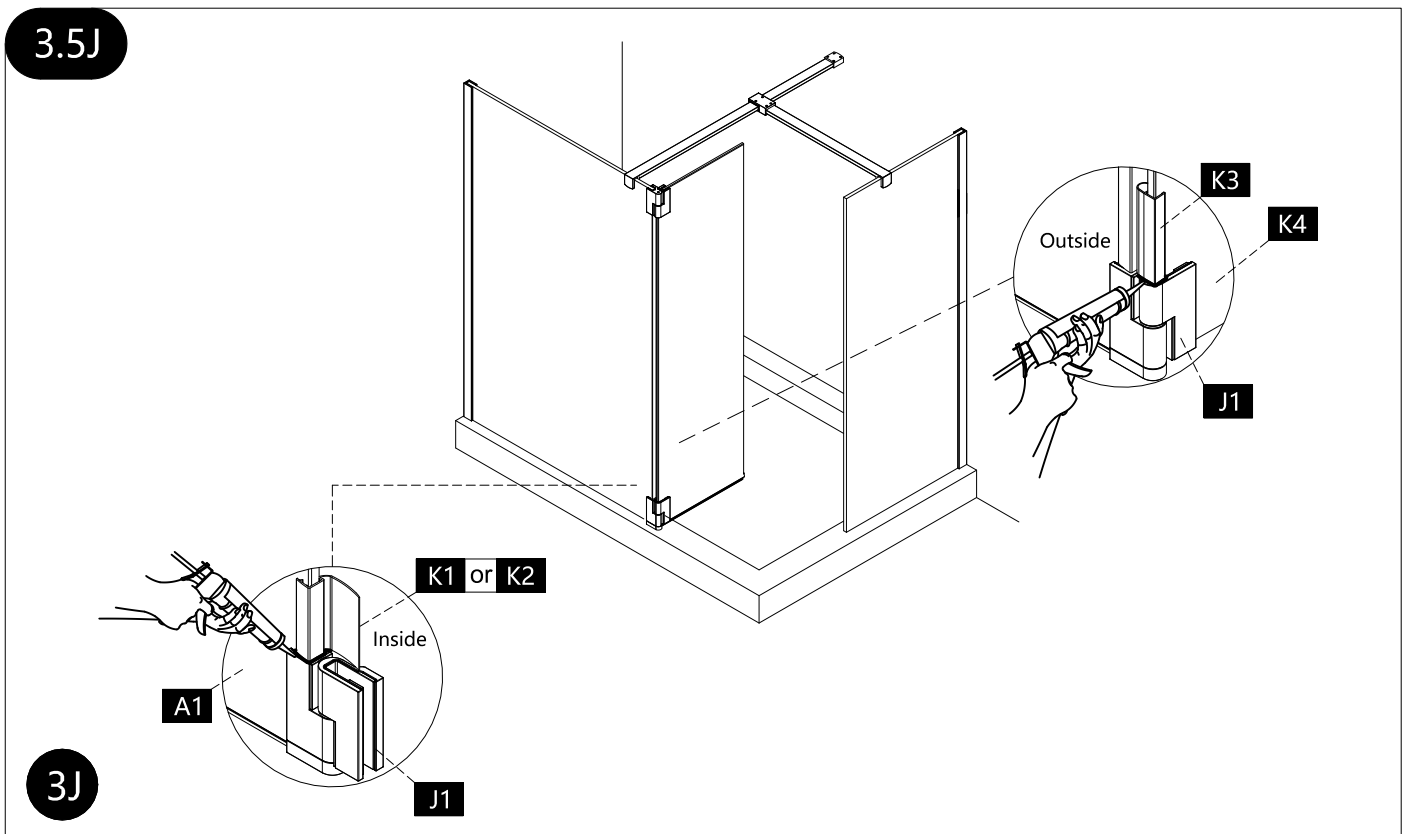
Step 74



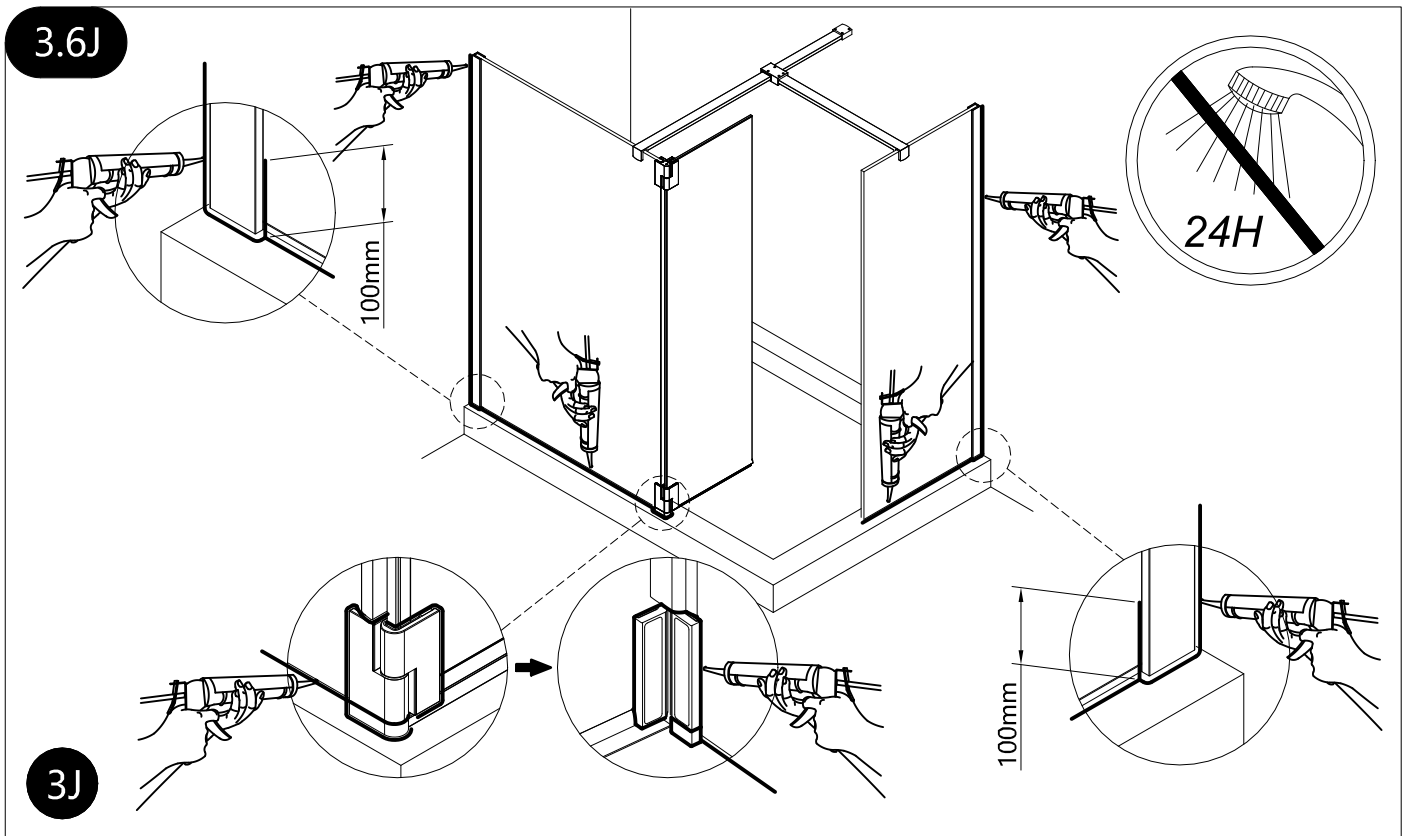
Step 75



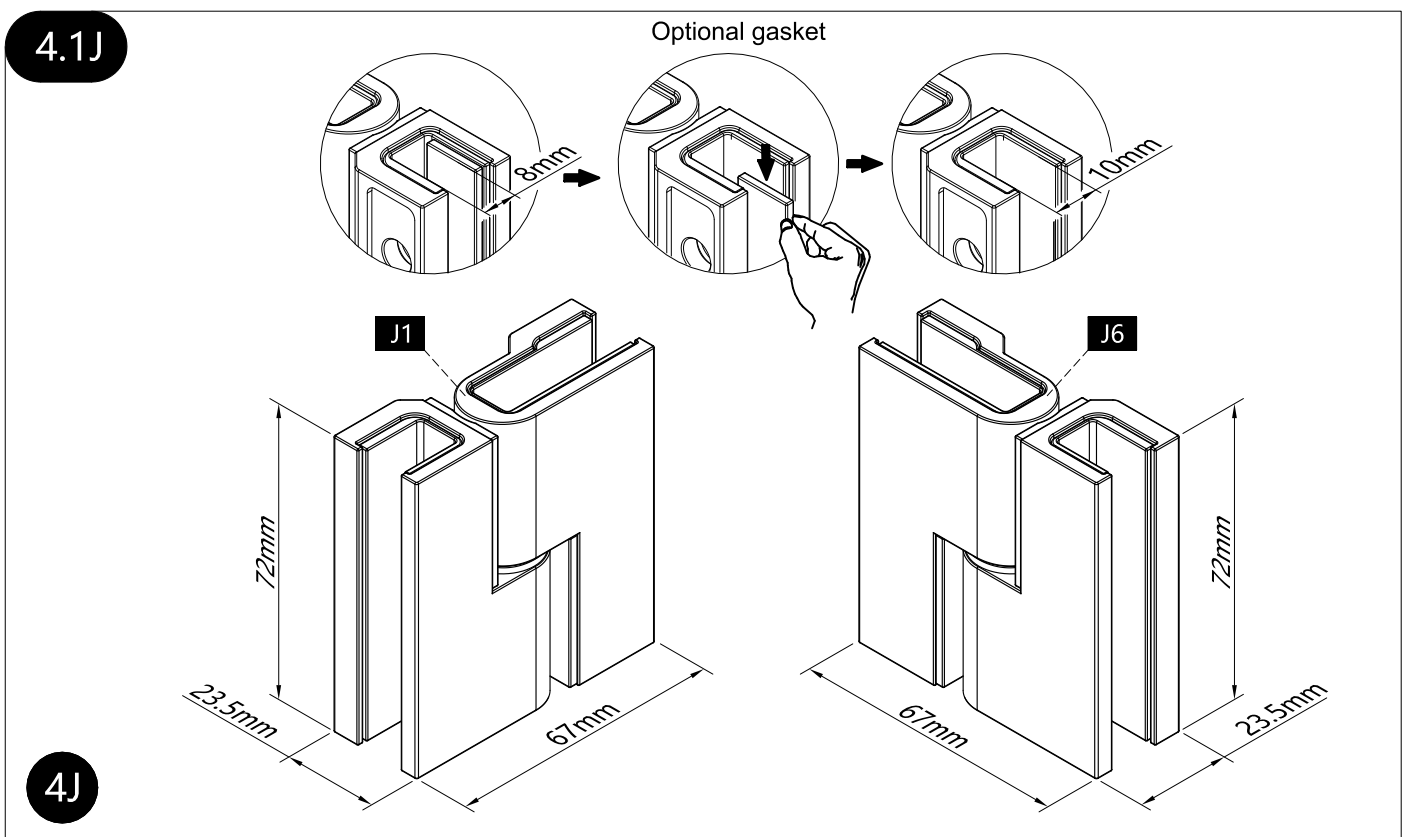
Step 76



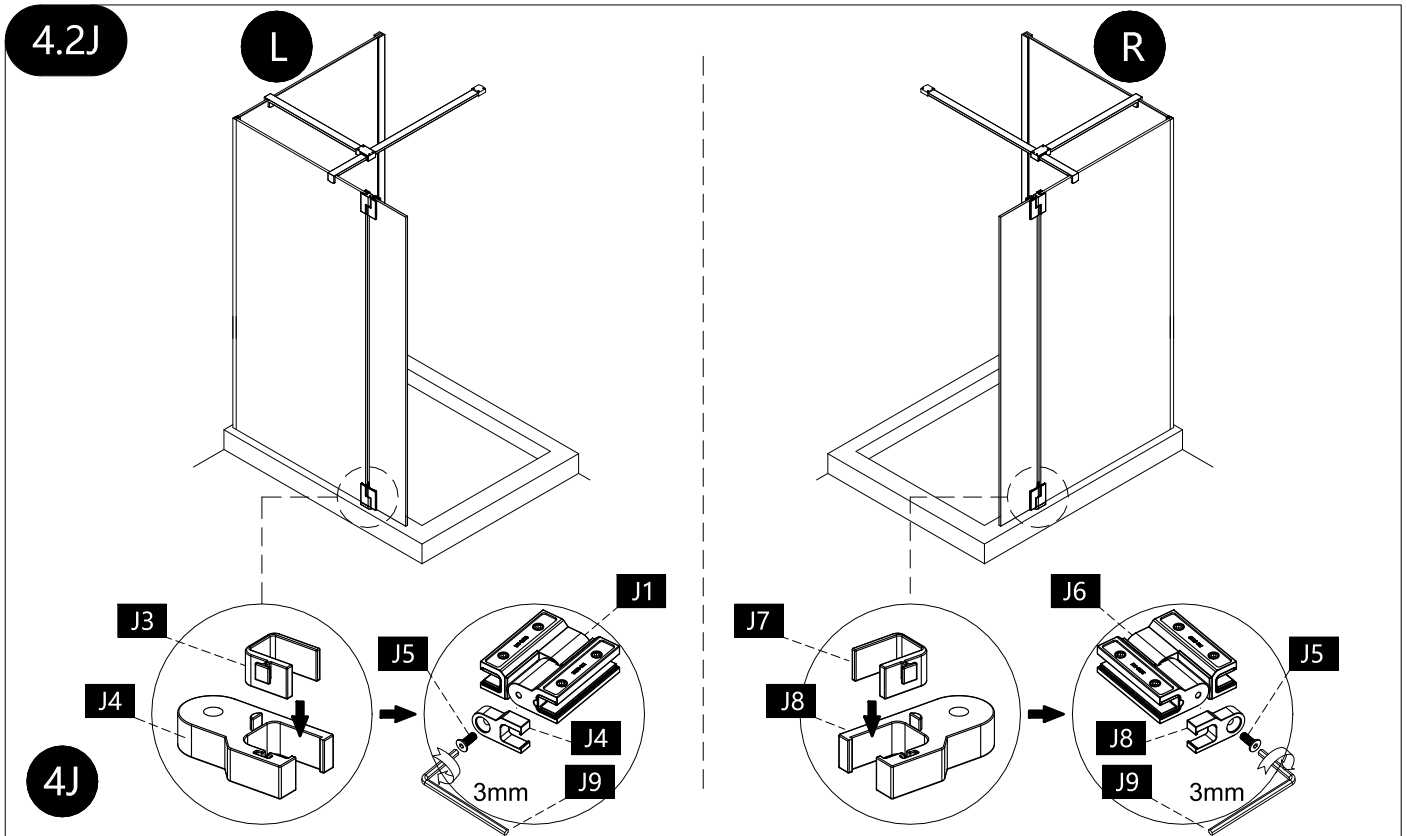
Step 77



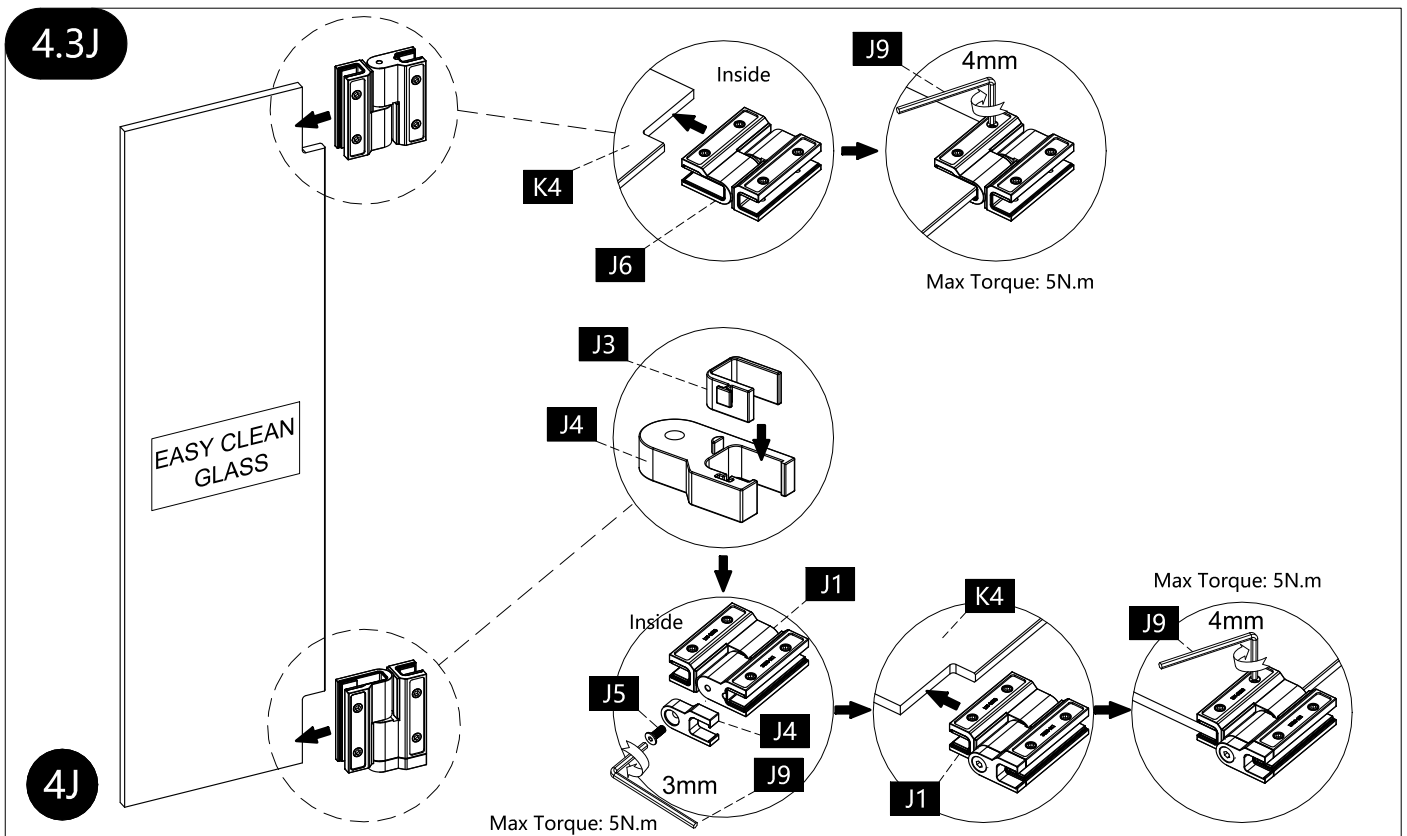
Step 78



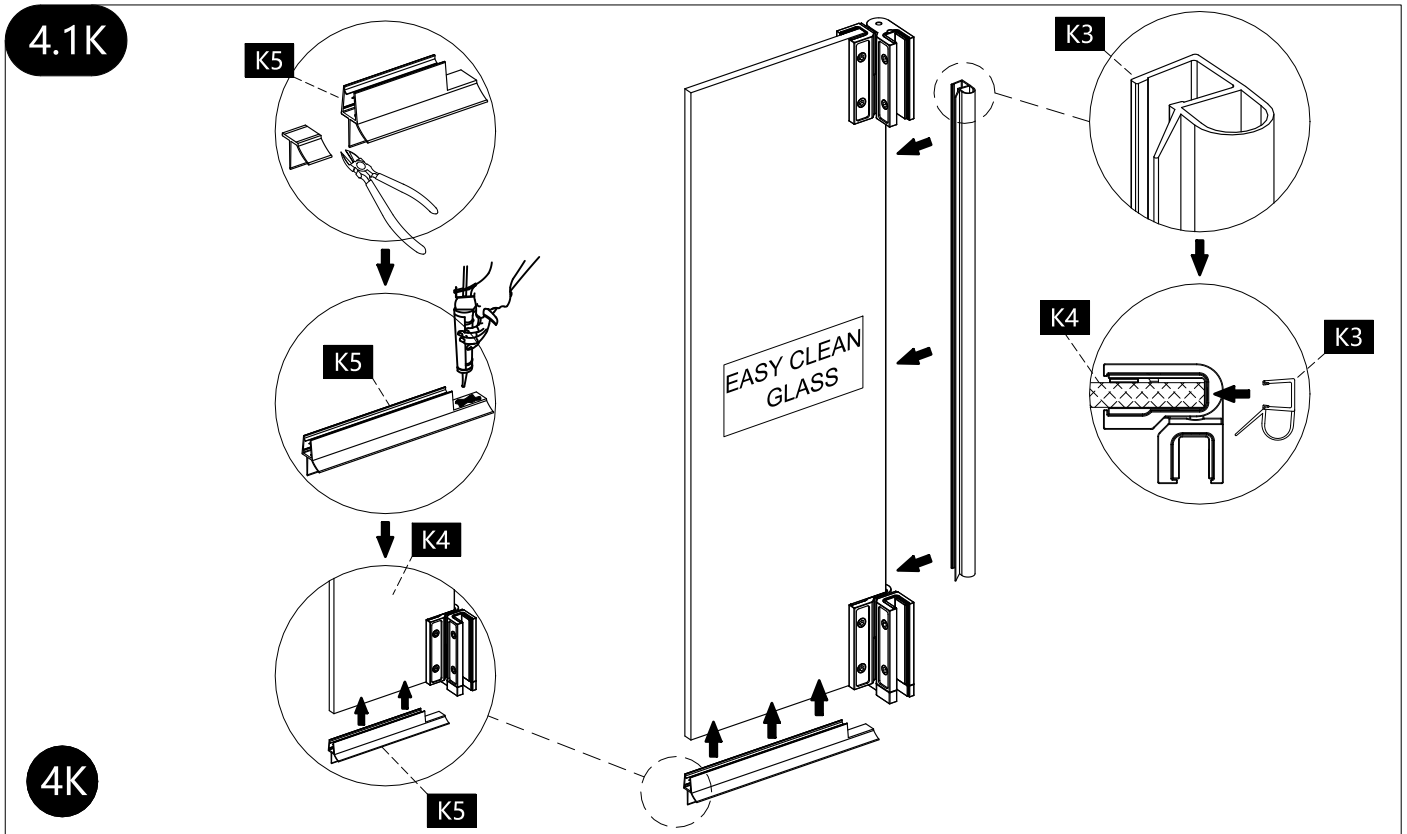
Step 79



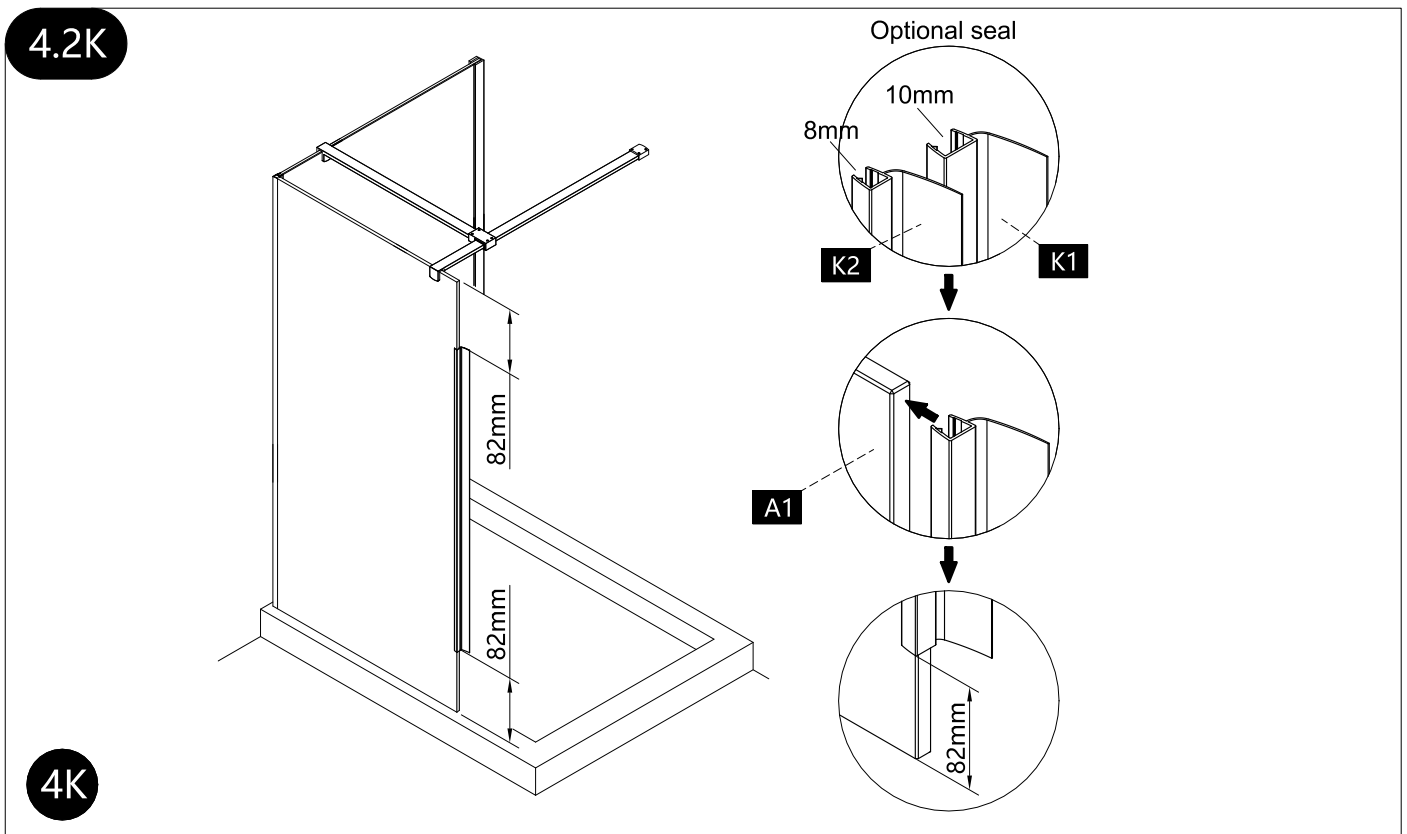
Step 80



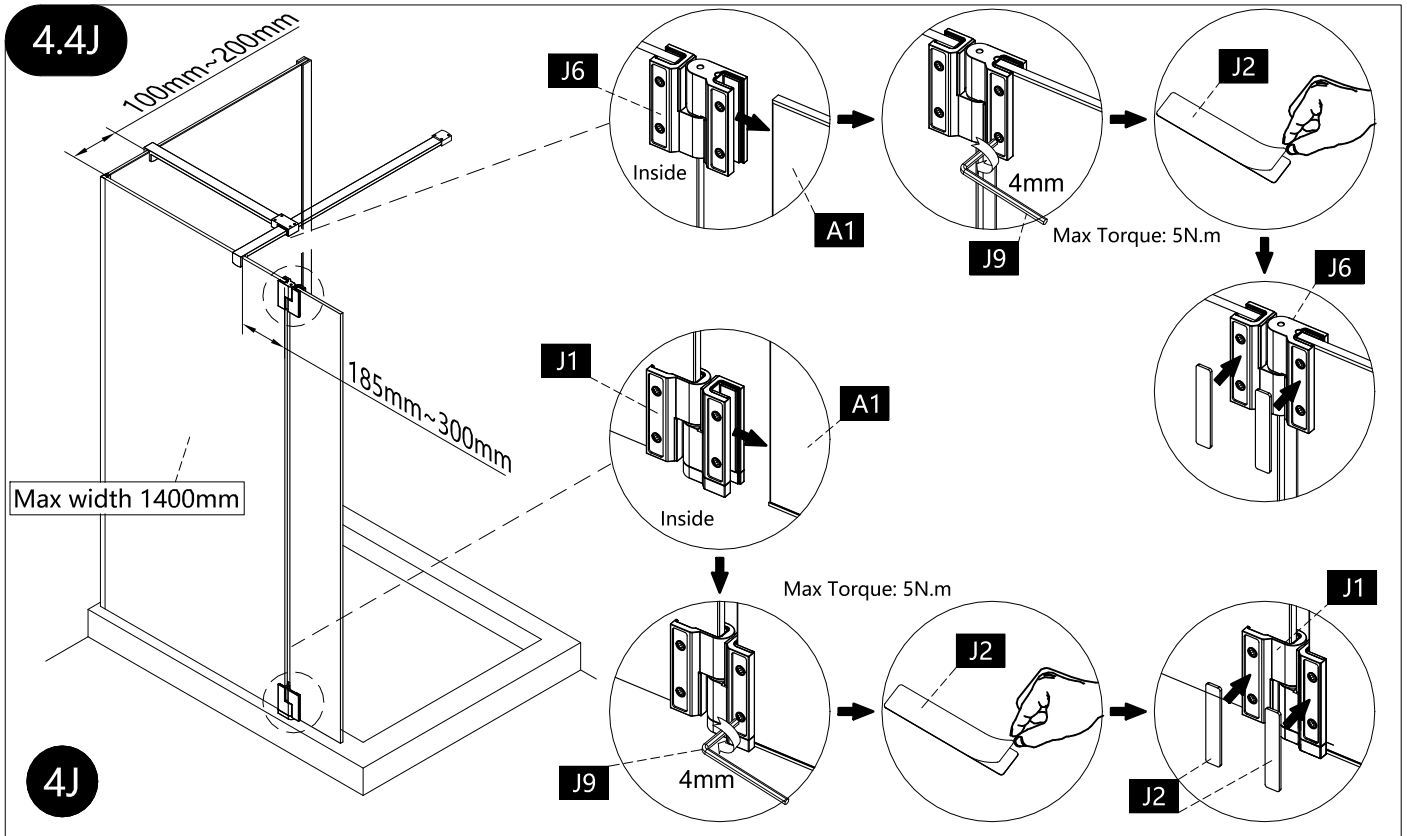
Step 81



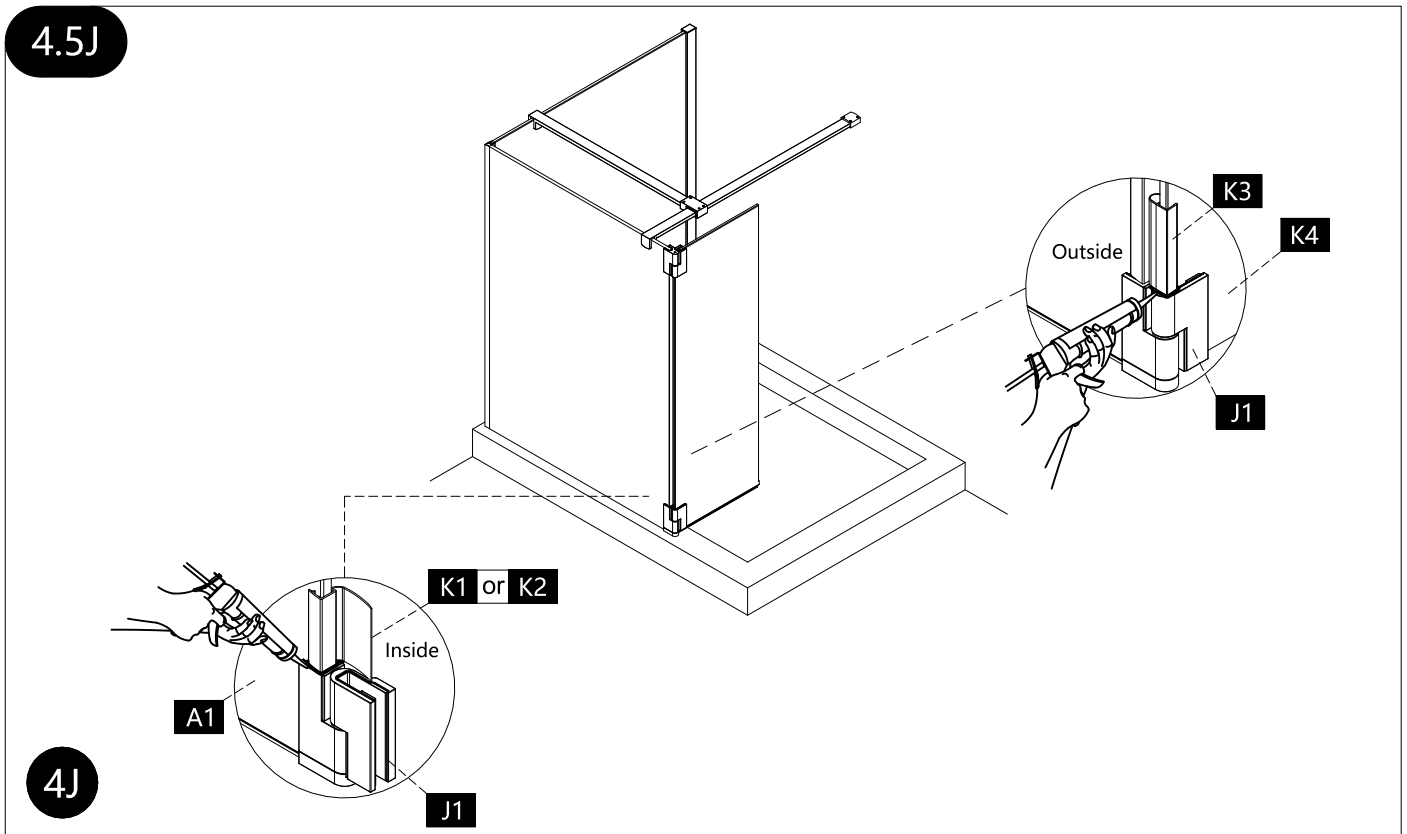
Step 82



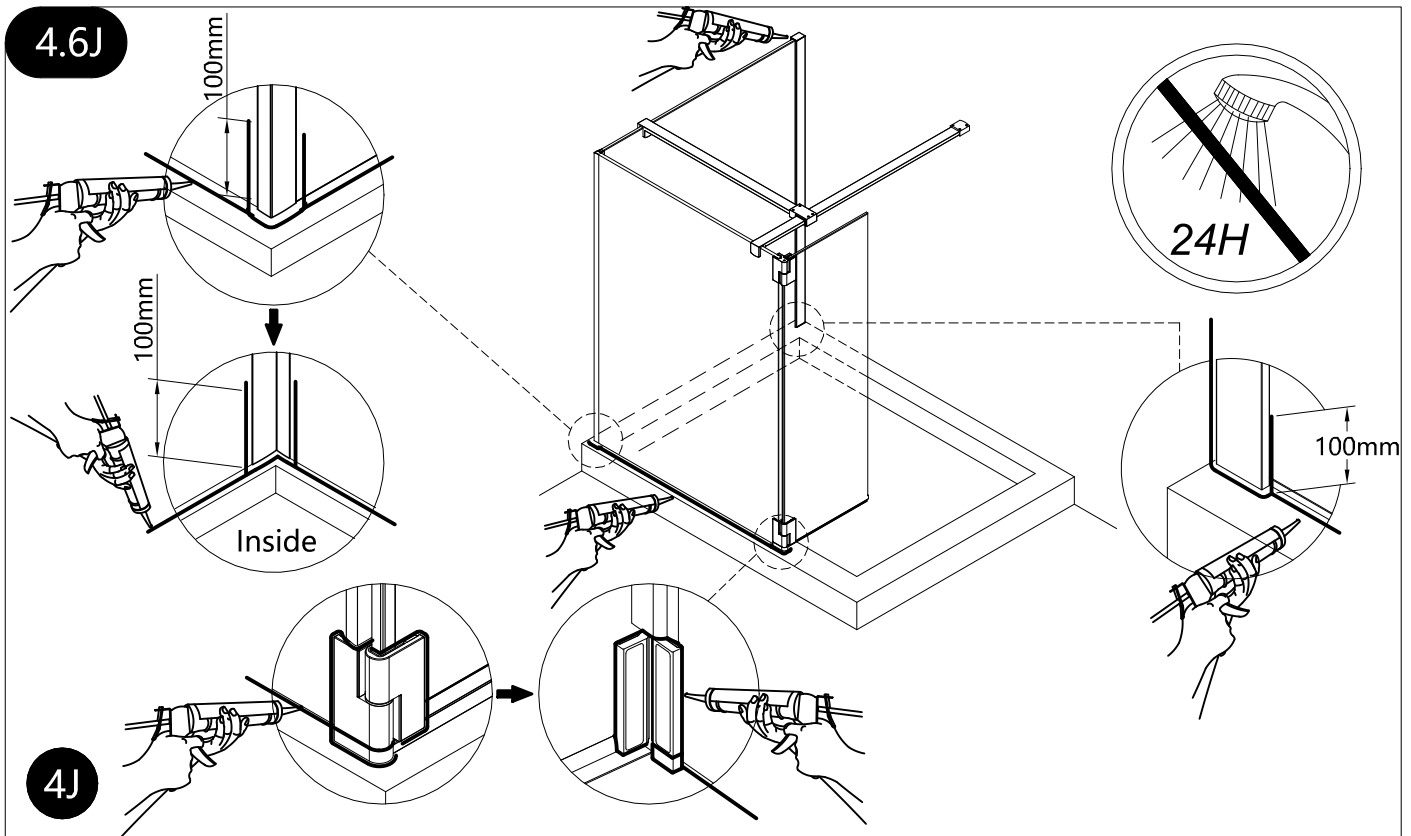
Step 83



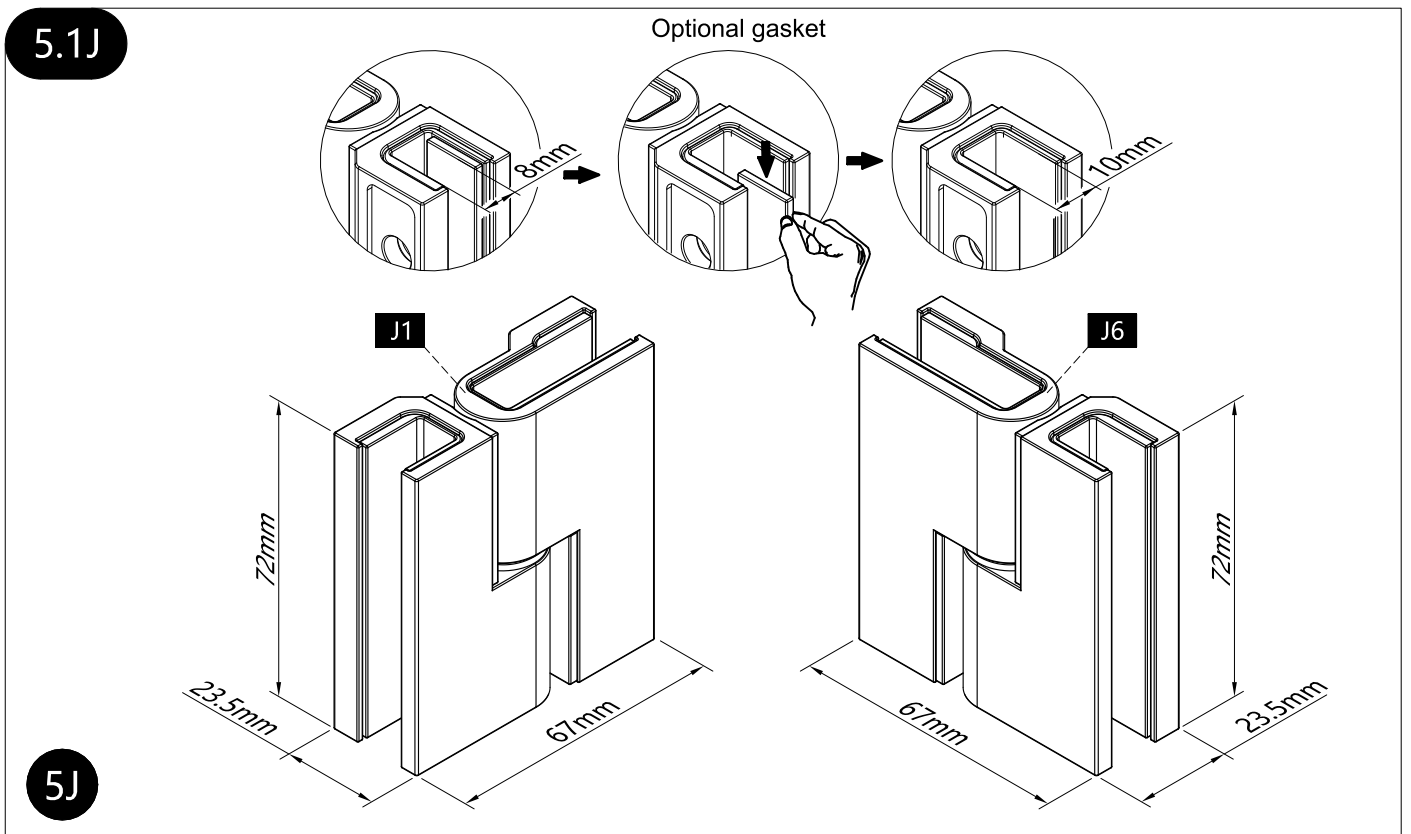
Step 84



Step 85

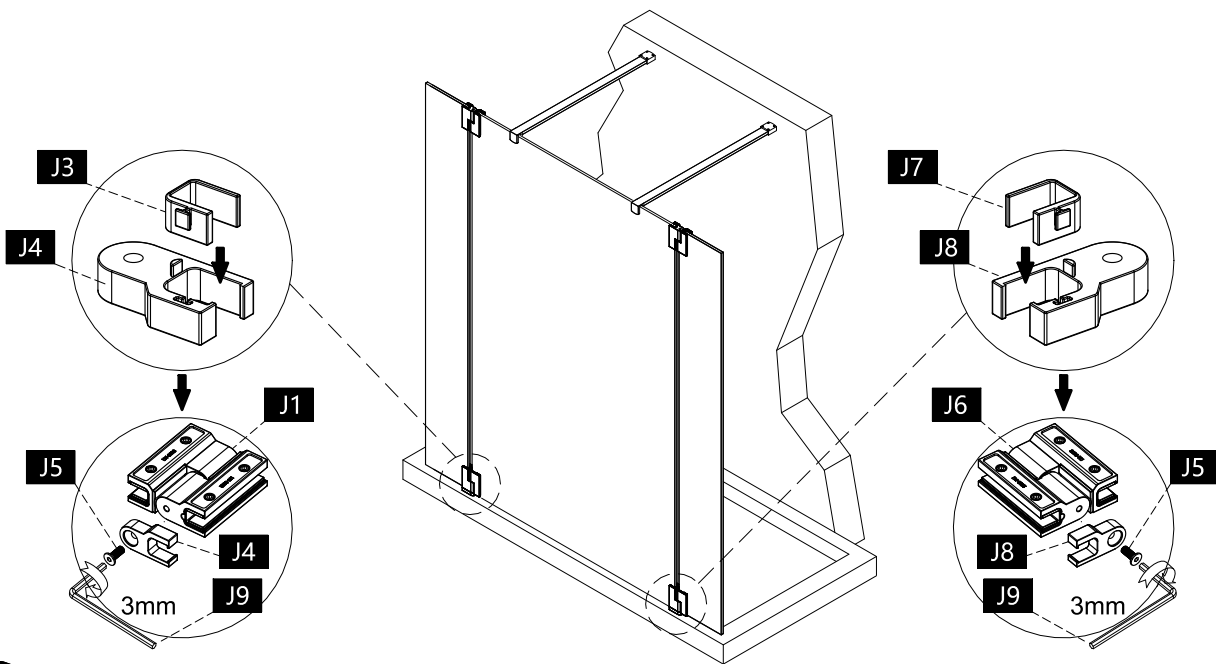


Step 86



Step 87

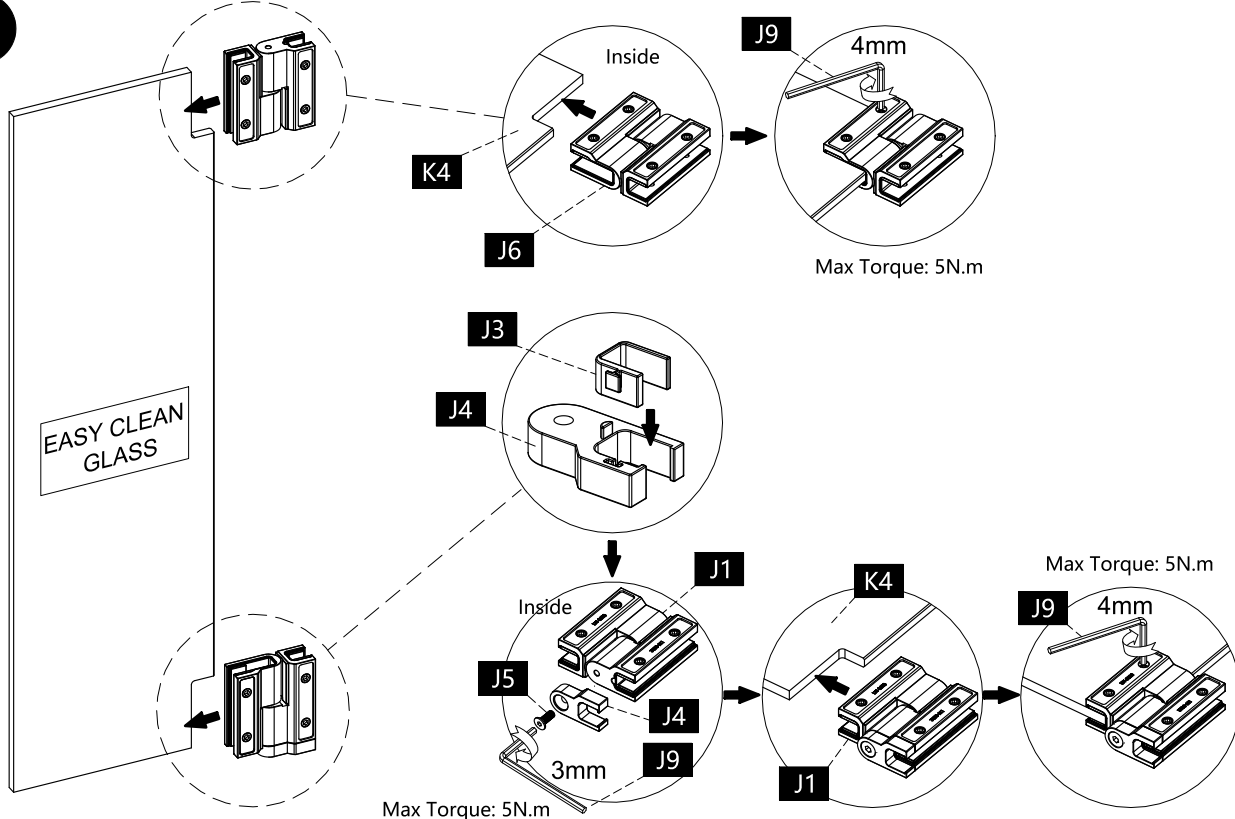
5.2J



5J

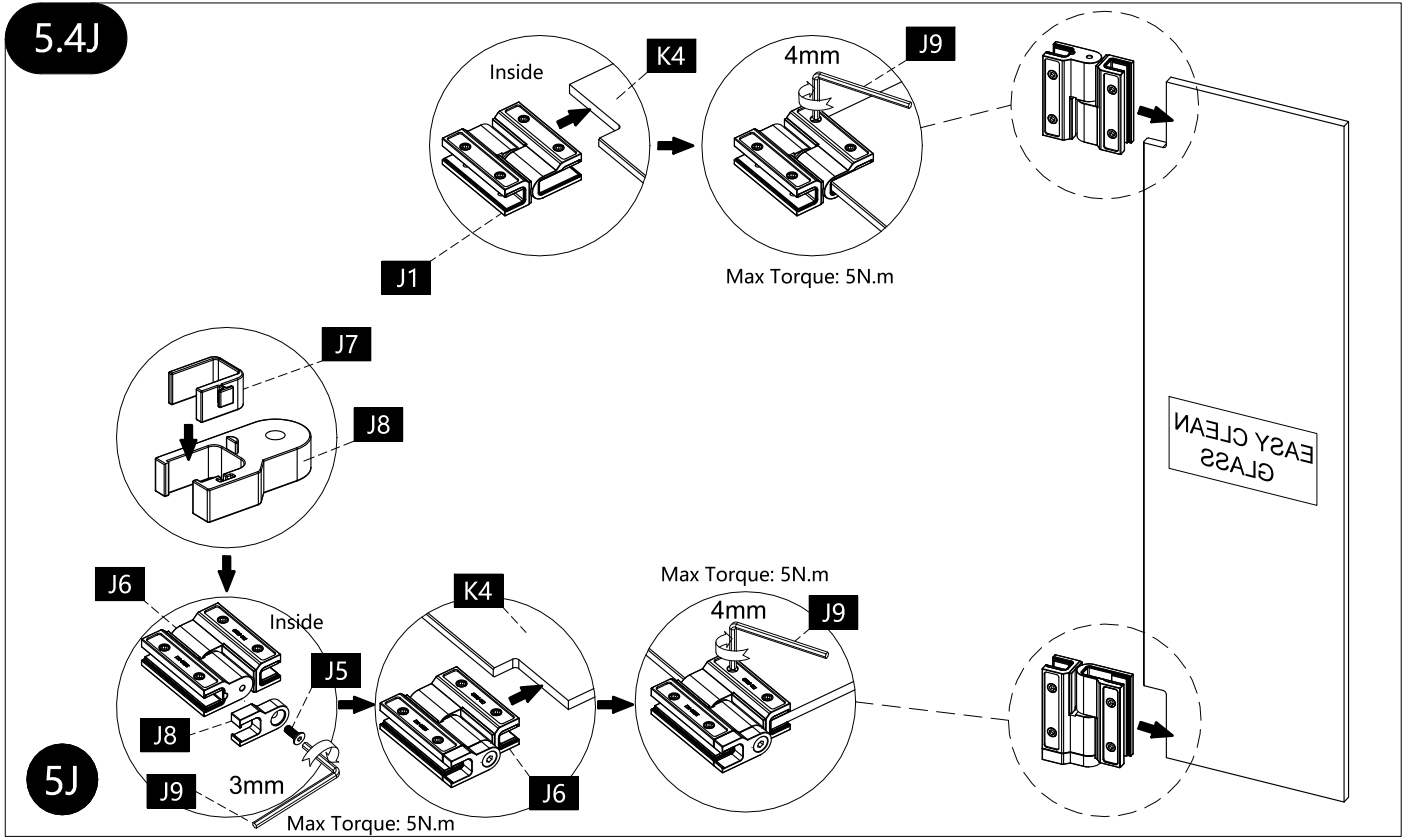
Step 88

5.3J

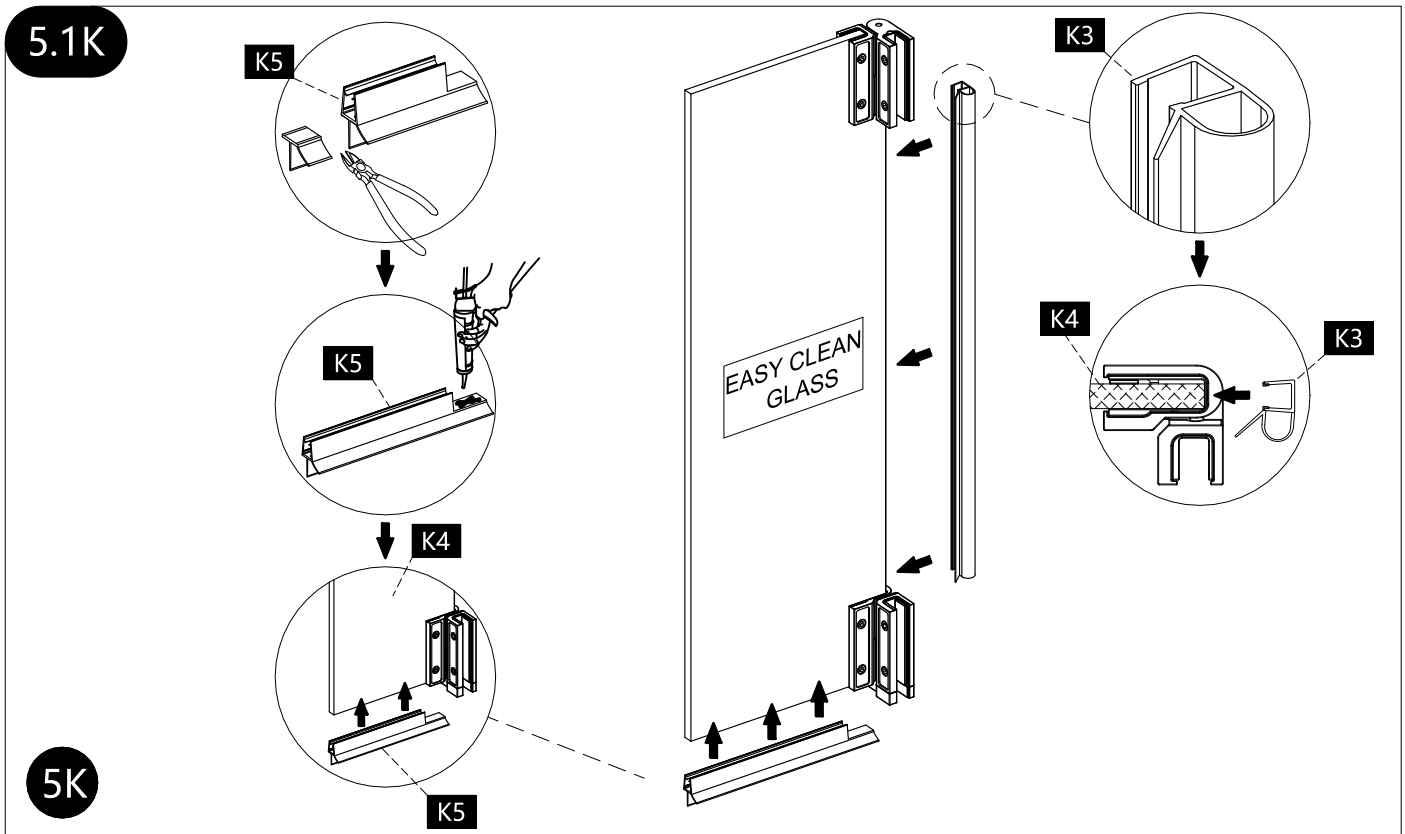


5J

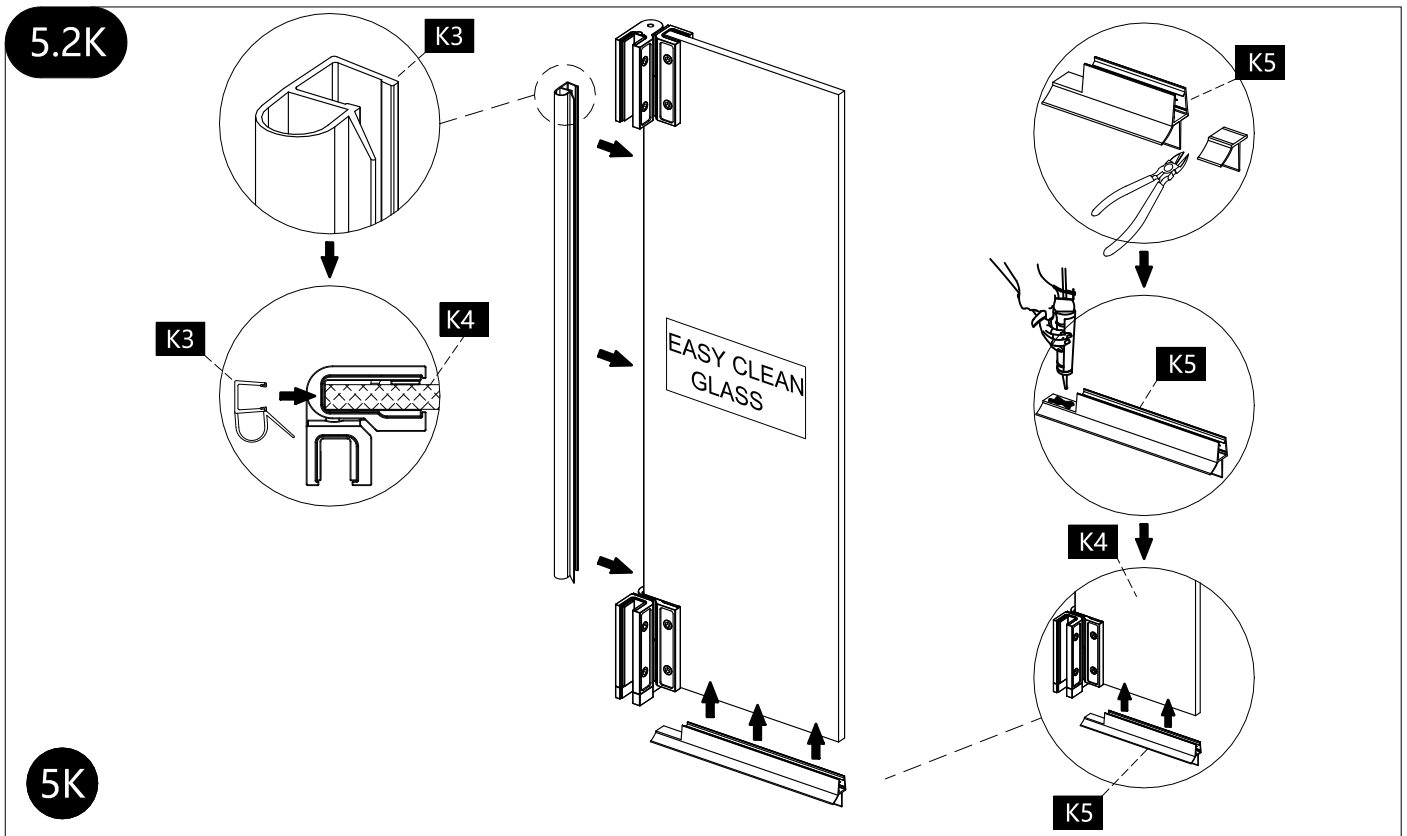
Step 89



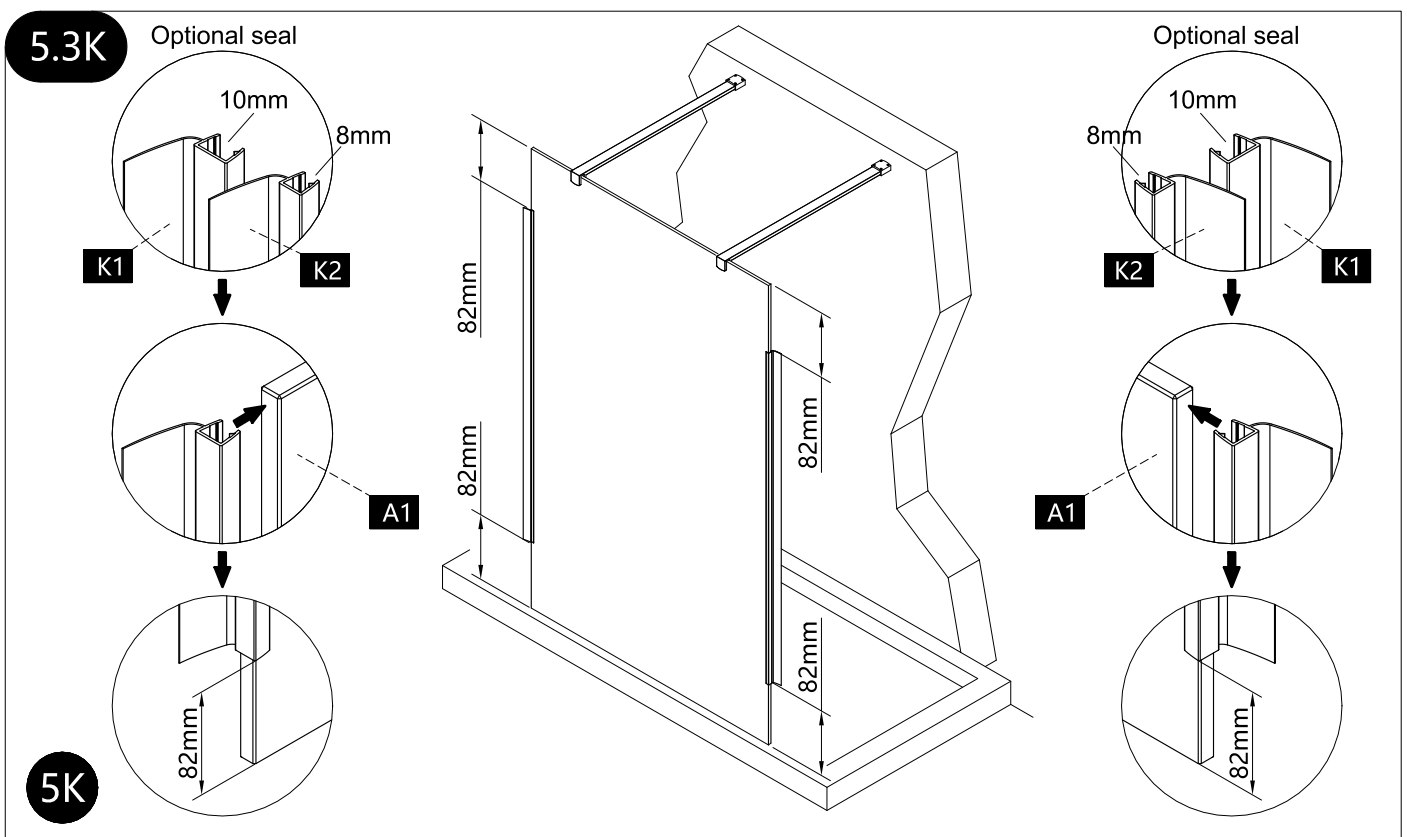
Step 90



Step 91



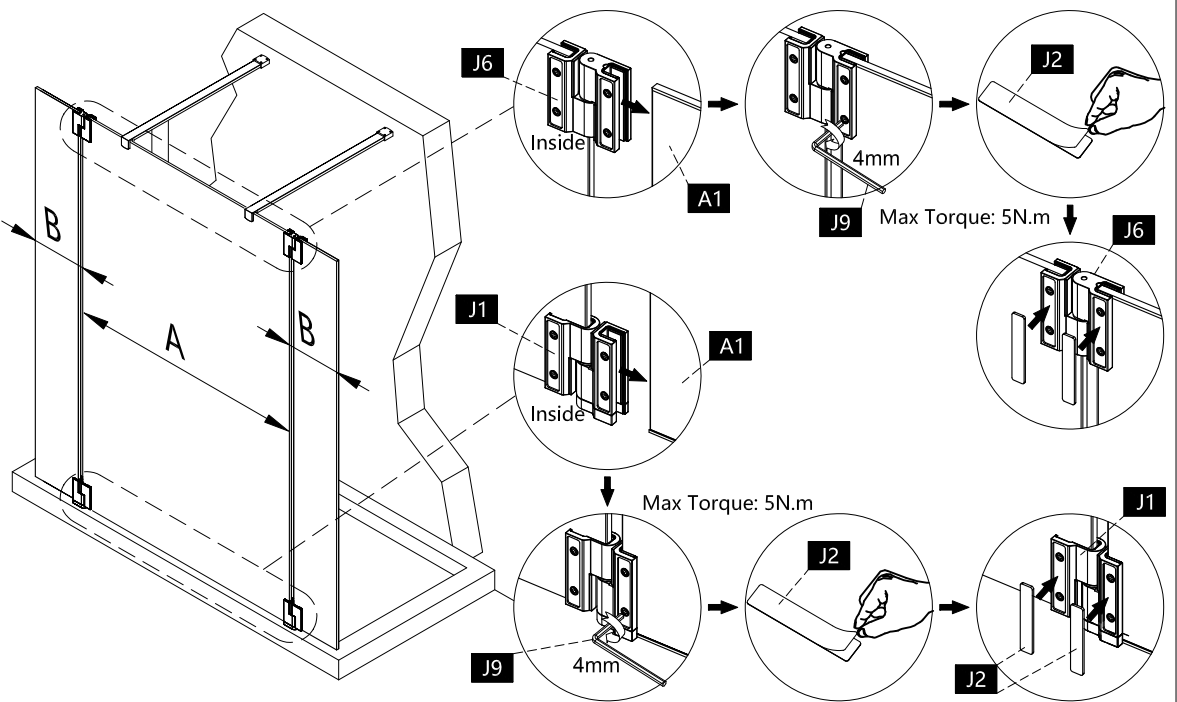
Step 92



Step 93

5.5J

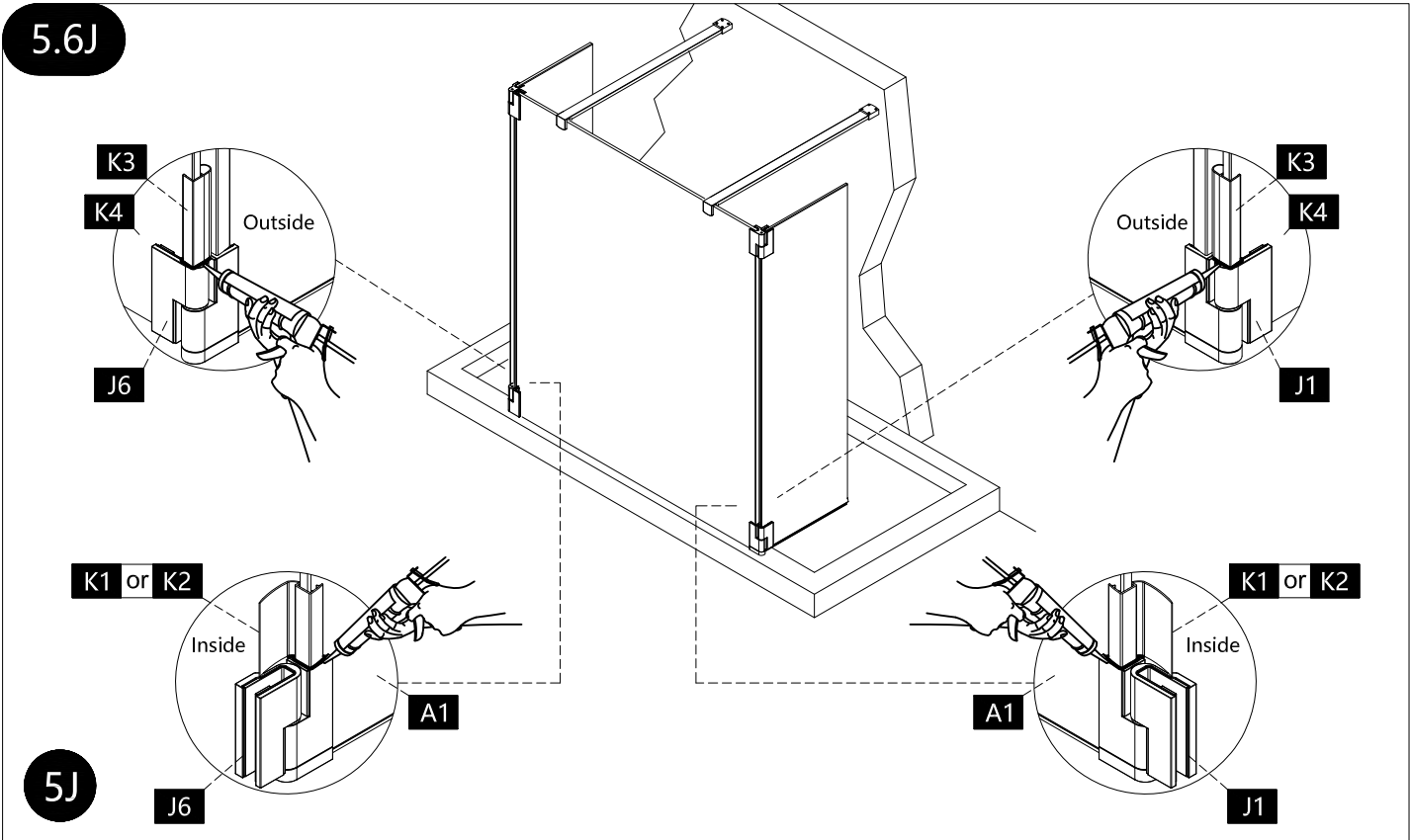
Code	A(mm)
GR030010CF+	
GR040010CF+	
GR050010CF+	
GR060010CF+	
GR070010CF+	
GR076010CF+	
GR080010CF+	
GR090010CF+	855
GR100010CF+	955
GR110010CF+	1055
GR120010CF+	1155
GR140010CF+	1355
Code	B(mm)
GRDEFLEC300	300



5J

Step 94

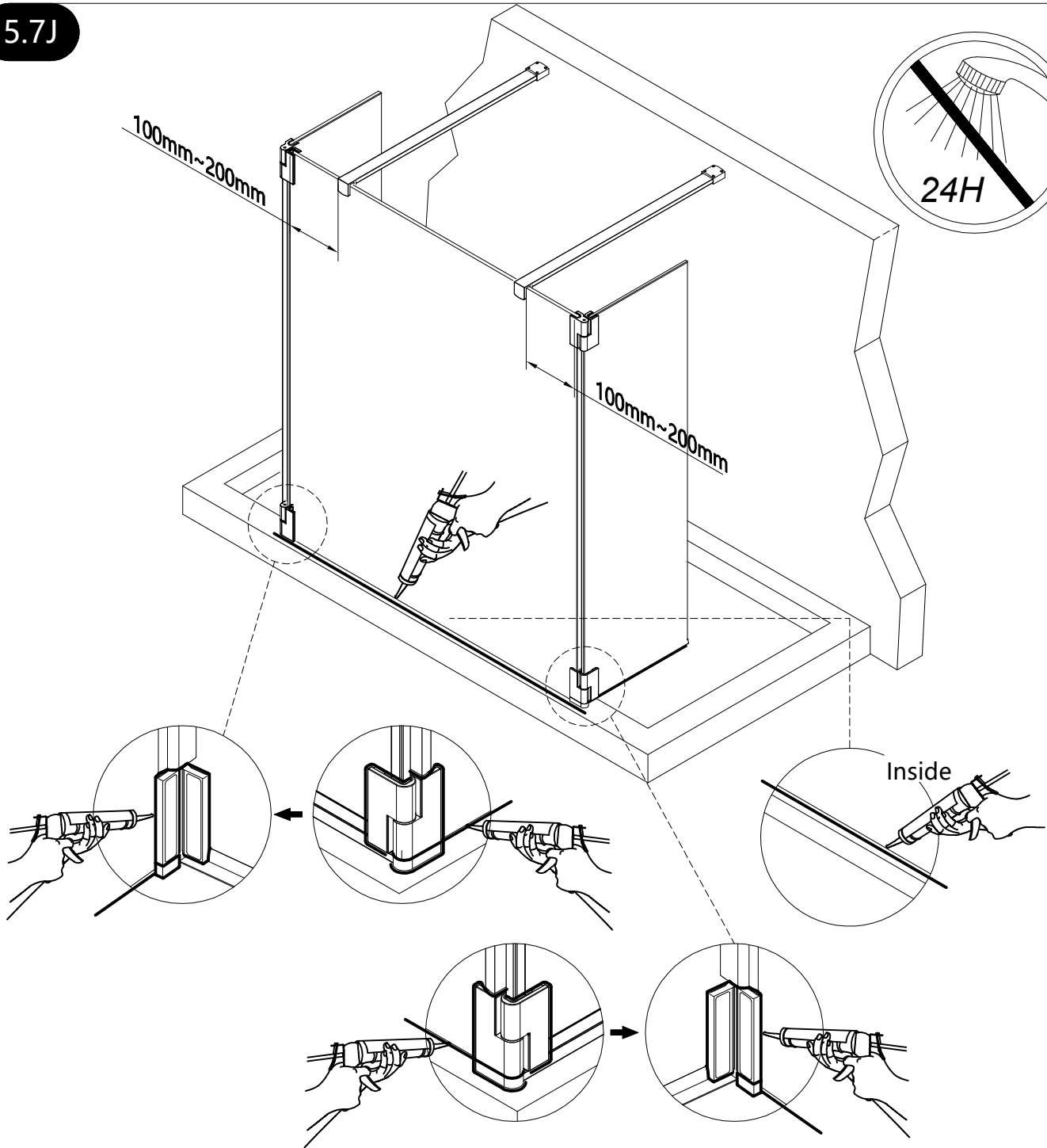
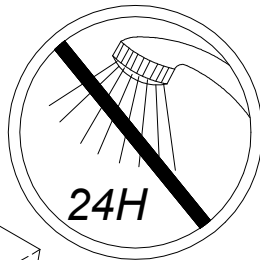
5.6J



5J

Step 95

5.7J



5J