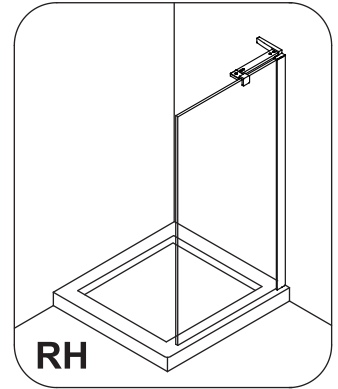
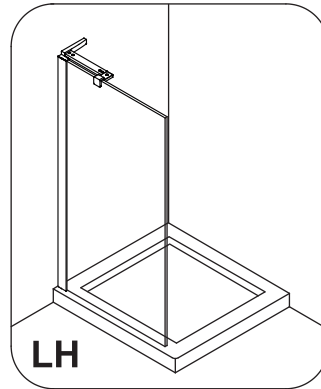
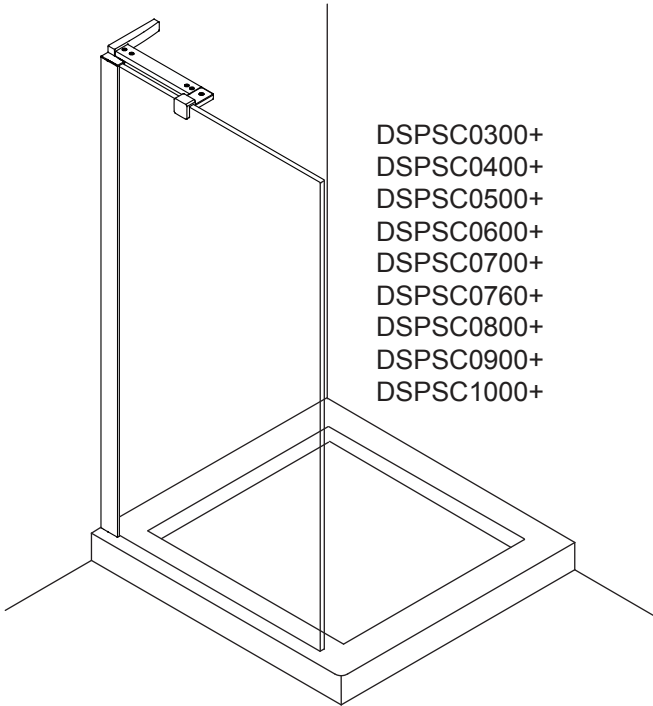


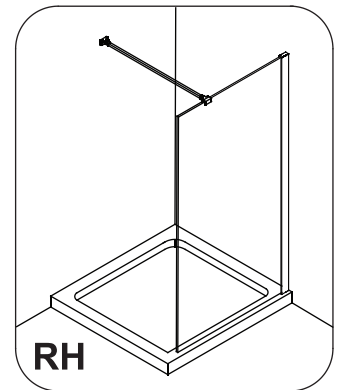
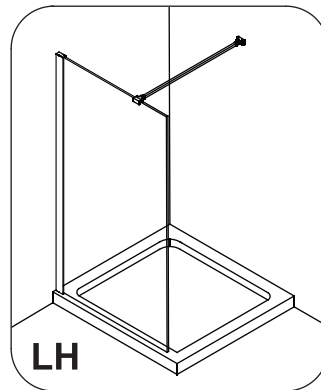
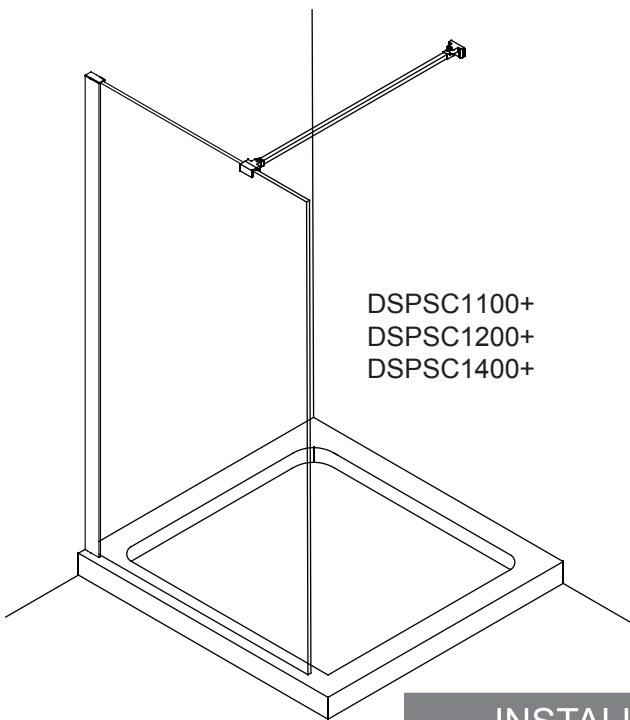
DESIGN SIDE PANEL

- DSPSC0300+
- DSPSC0400+
- DSPSC0500+
- DSPSC0600+
- DSPSC0700+
- DSPSC0760+
- DSPSC0800+
- DSPSC0900+
- DSPSC1000+
- DSPSC1100+
- DSPSC1200+
- DSPSC1400+

THESE INSTRUCTIONS SHOULD BE USED ONLY WHEN USING AS A WALK IN PANEL. IF INSTALLING WITH A DOOR PLEASE REFER TO THE FITTING INSTRUCTIONS INCLUDED WITH THE DOOR.



The side panel is reversible for left or right hand fitting, simply turn the panel up side down.



The side panel is reversible for left or right hand fitting, simply turn the panel up side down.

INSTALLATION INSTRUCTIONS

crosswater[®]
 SHOWERING

IMPORTANT - Please read before installation

Please read these instructions carefully before starting installation and keep in a safe place for future reference.

Check the contents of the pack carefully before installation. Simpsons will not be held responsible for any de-fit / re-fit costs where faulty product has been fitted.

If any fault is found with materials or workmanship, it must be reported immediately to the manufacturer. Remedial action will be taken, based on information received, on condition that:

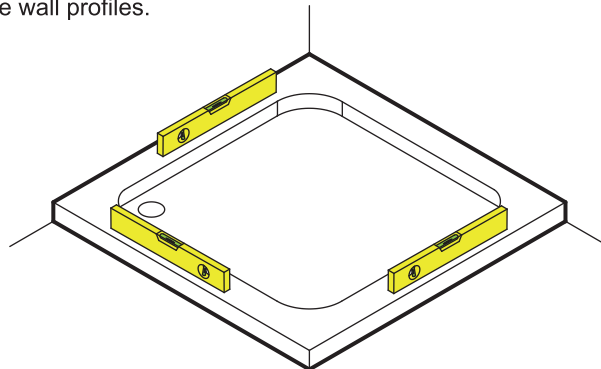
1. Full details are supplied to the manufacturer;
2. The enclosure has not been modified or tampered with;
3. The manufacturer is informed of any damage/shortages prior to installation.

We do not accept responsibility for any problems that may occur through incorrect installation.

The success of the installation and operation of any shower enclosure is, of course, dependant on the squareness, alignment and construction of the walls to which fixing is to be carried out.

VERY IMPORTANT

You must complete all tiling and grouting, and the shower tray **MUST** be level and fully sealed to the tiles before installation. If you do not fit the enclosure onto a tiled surface, or seal the tiles to the tray before installation, water may soak into the wall behind the wall profiles.



INSTALLATION - Advice and safety

The installation instructions are based on typical use and conditions.

The side panel is designed to mate with the hinge door to make a square enclosure, or to use alone as walk in.

These hints have been prepared for your guidance, you must exercise due care at all times.

For Health and Safety 2 people must carry out the installation of this enclosure.

Handle glass with care. Although the glass supplied is toughened safety glass (EN12150), impacts can damage both the glass and the frame.

Warning!

Please check for any hidden pipes or cables before drilling holes in the wall.

When using power tools always follow the manufacturers user instructions.

If the Framework is sealed to the tray on the inside, any water that may get into the framework will not be able to drain back into the tray, this may cause the enclosure to leak.

Leave the silicone sealant to dry for 24 hours before using the enclosure.

CARE AND CLEANING

Do not use solvents or abrasive material or chemicals to clean the enclosure.

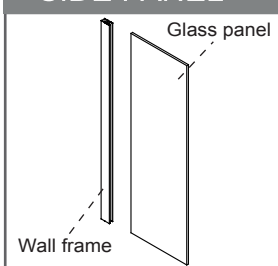
Only clean using soapy water and a soft cloth, rinse thoroughly afterwards.

CONTENTS

PARTS A1 TO A8 FOR USE WITH LARGER PANELS

A1		x 1	A2		x 1
A3		x 1	A4		x 1
A5		ST3.5x25mm Screw x 1	A6		x 1
A7		x 1	A8		x 1

SIDE PANEL



A		x 2
B		x 3
C		x 5
D		x 5
E		x 1

F		x 1	V		x 1
G		x 1	AL		x 1
H		x 1	AP		x 1
I		x 1	AQ		x 1
J		x 1	AR		x 1
K		x 1	AS		x 1
L		x 1	AT		x 1
M		x 1			

Tools and equipment needed

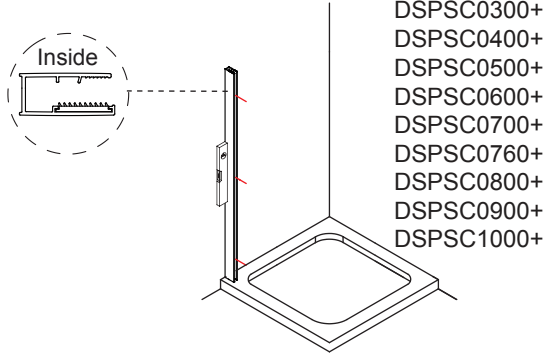
Drill, 6mm Masonry drill bit, 3.2mm General drill bit, Philips screwdriver, Slotted screwdriver, Spirit level, Pencil, Tape measure, Silicone sealant.

SIDE PANEL

Step 1 - FITTING AND POSITIONING WALL CHANNEL



Magnetic strip (AP), Magnetic strip (AQ), End part (AS), End part (AT) are required only for mating with hinged door installation. If your installation is as walk in. Please disregard these parts.

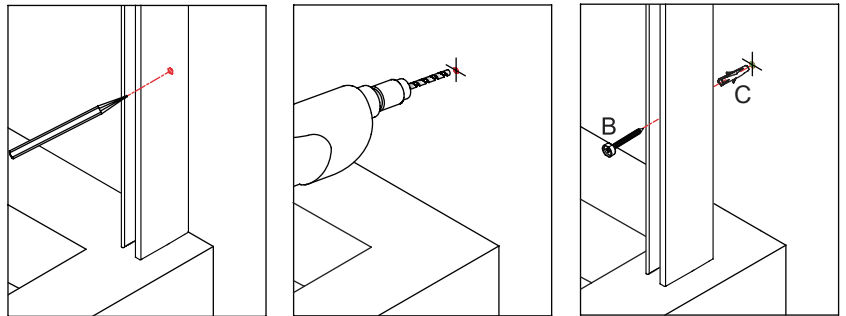
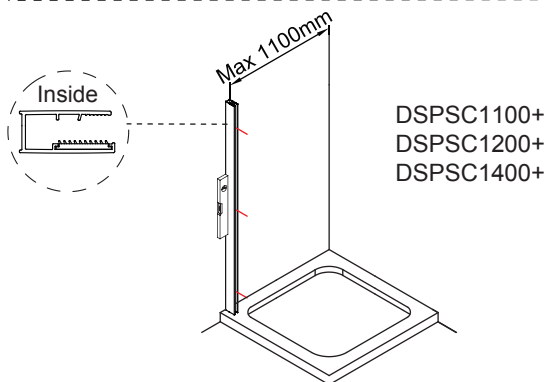


Get the wall channel from the packing. Place wall channel in position on the tray, use a spirit level to ensure that it is vertical and mark all 3 fixing holes onto the wall. We recommend the wall channel is placed not less than 10mm from the front edge of the tray.

Drill holes in the positions marked using a 6mm masonry drill bit. Insert wall plugs (C) into all of the holes (beyond the thickness of the tile).

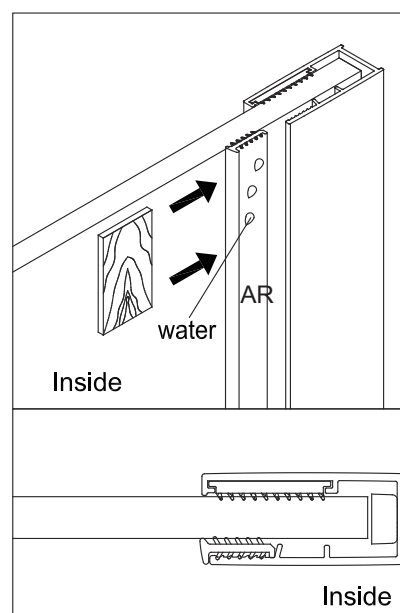
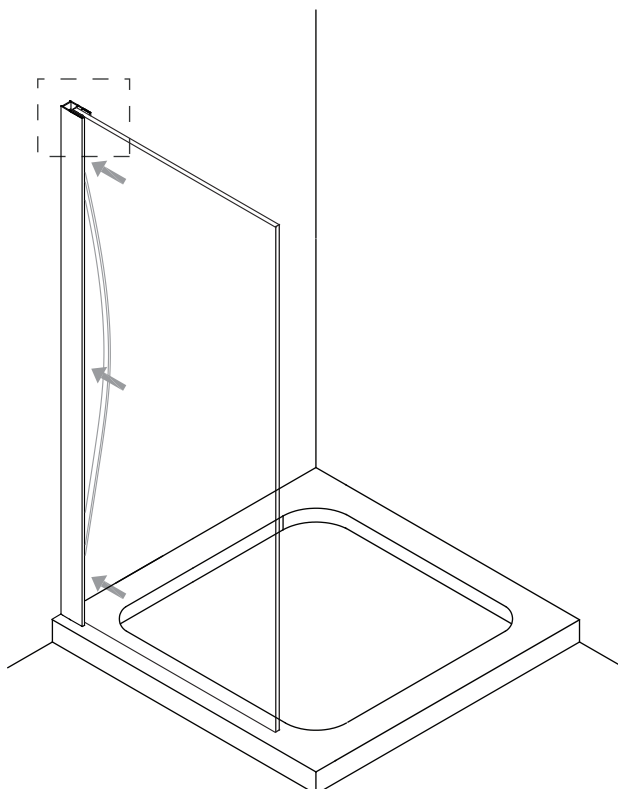
Fix the wall channel to the wall using 3 screws (B).

Note: Inject silicone sealant into the holes before inserting the screws to seal the holes.

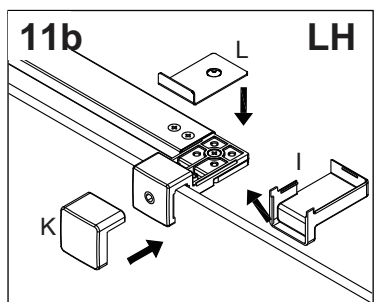
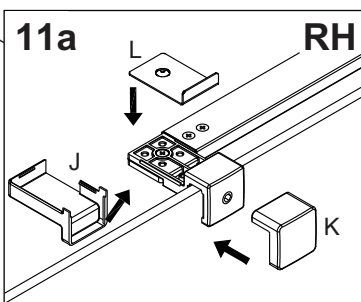
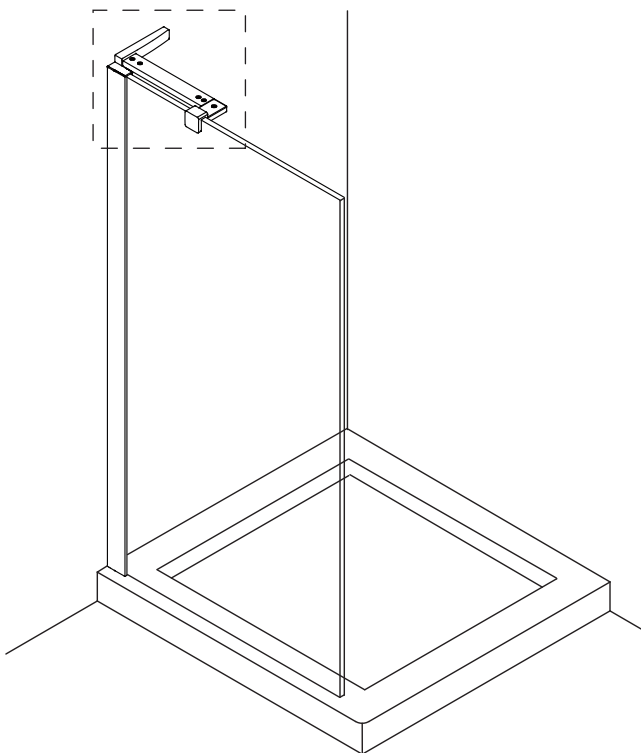
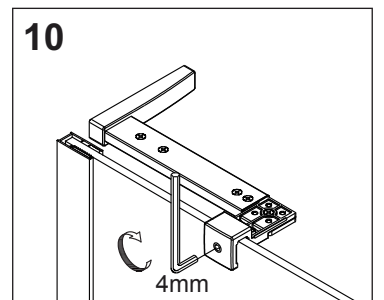
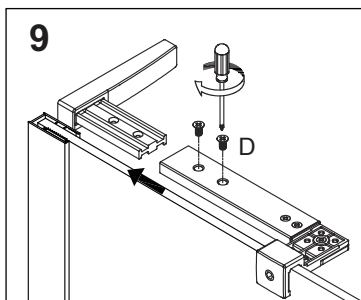
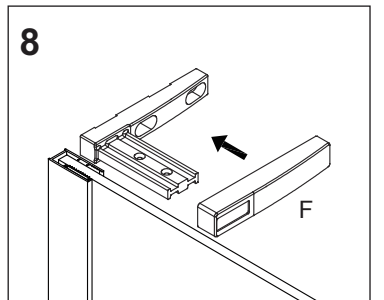
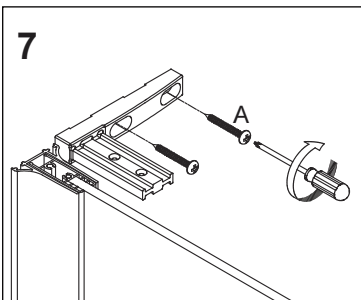
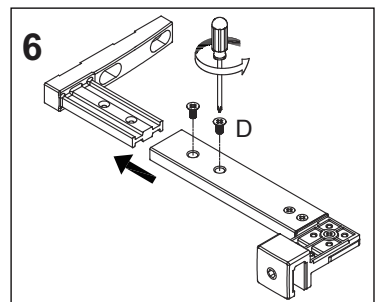
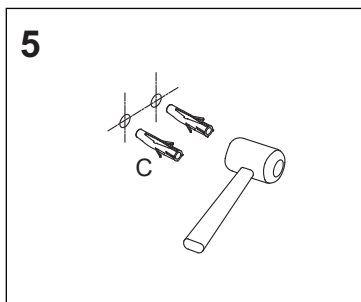
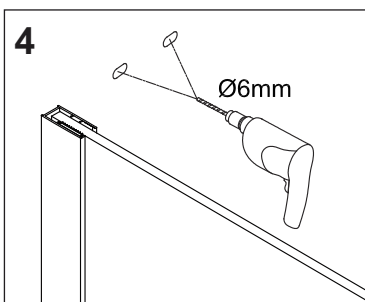
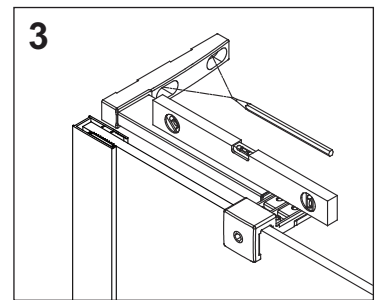
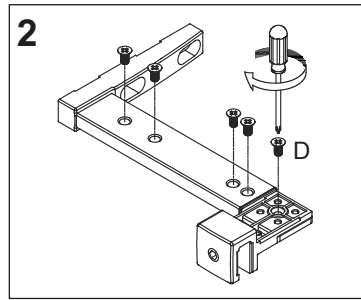
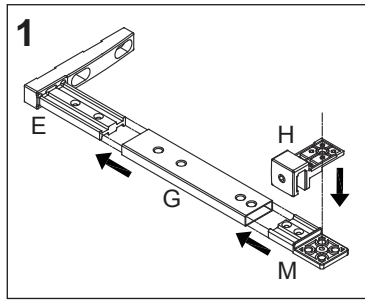


Step 2

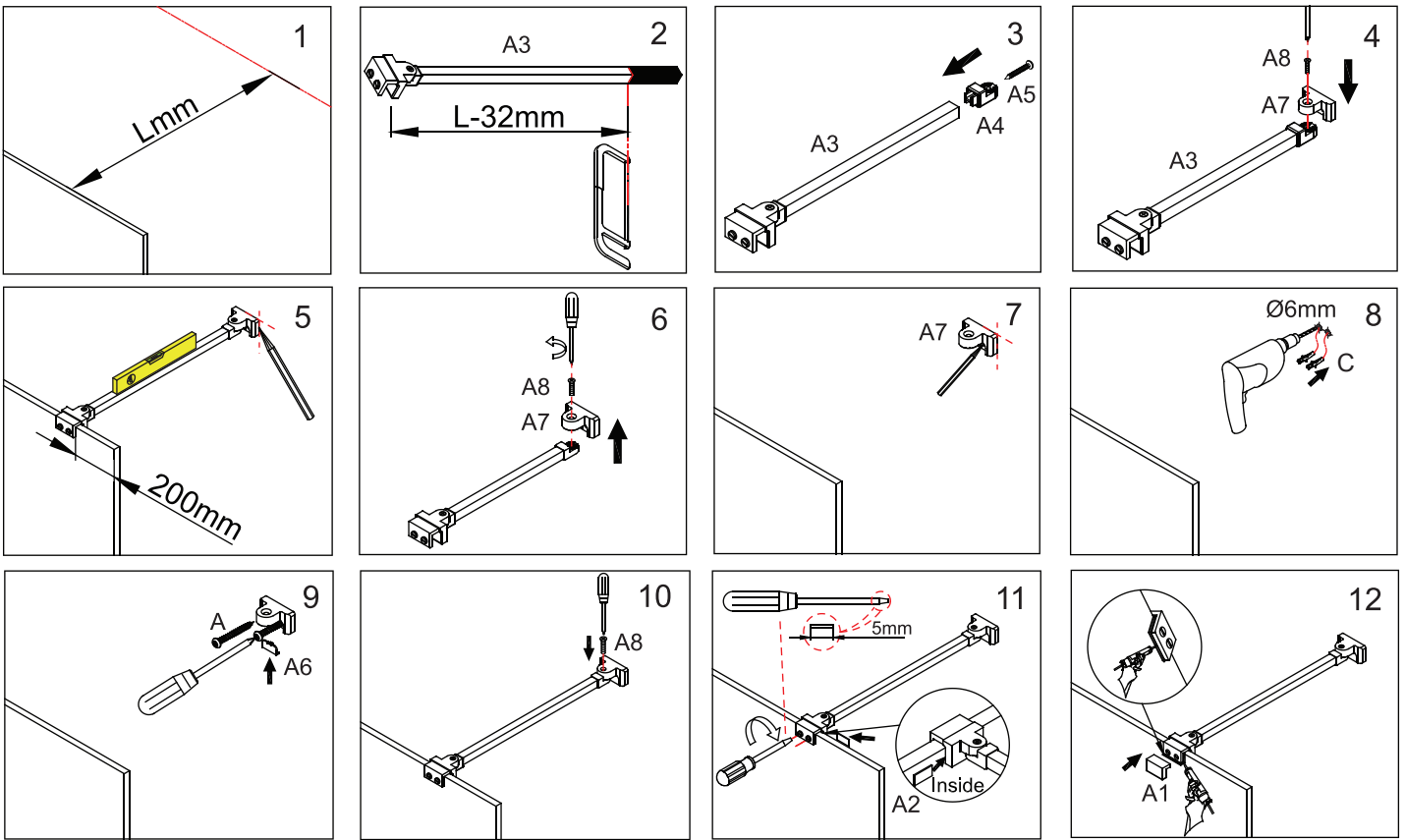
Push the side panel on to the wall channel.



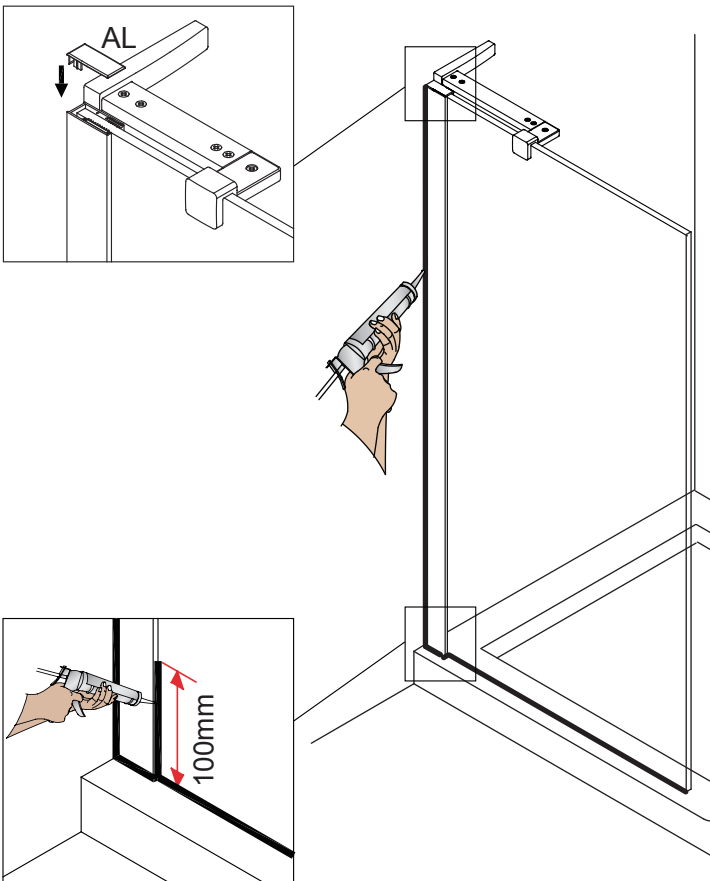
Step 3 - FITTING THE BRACING BAR



Step 3 - FITTING THE BRACING BAR FOR PANELS 1100, 1200 and 1400



Step 4



crosswater[®]
SHOWERING

For any further information please contact Crosswater
 Phone number, 0345 873 8840
 Website, crosswater.co.uk
 Email address, sales@crosswater.co.uk
 The manufacturer reserves the right to make technical
 modifications without prior notice.