

**SANICLASS**



## GENERAL INFORMATION

Please inspect the product immediately upon receipt for transit damage, missing packs/parts or manufacturing fault. Damage reported later cannot be accepted. Please handle the product with care avoiding knocks and shock loading to all sides and edges of the glass.

## NOTES: Safety glass can not be re-worked

Please read these instructions carefully before start of installation.

Special care should be taken when drilling walls to avoid hidden pipes or electrical cables.

Note: This product is heavy and may require two people to install.

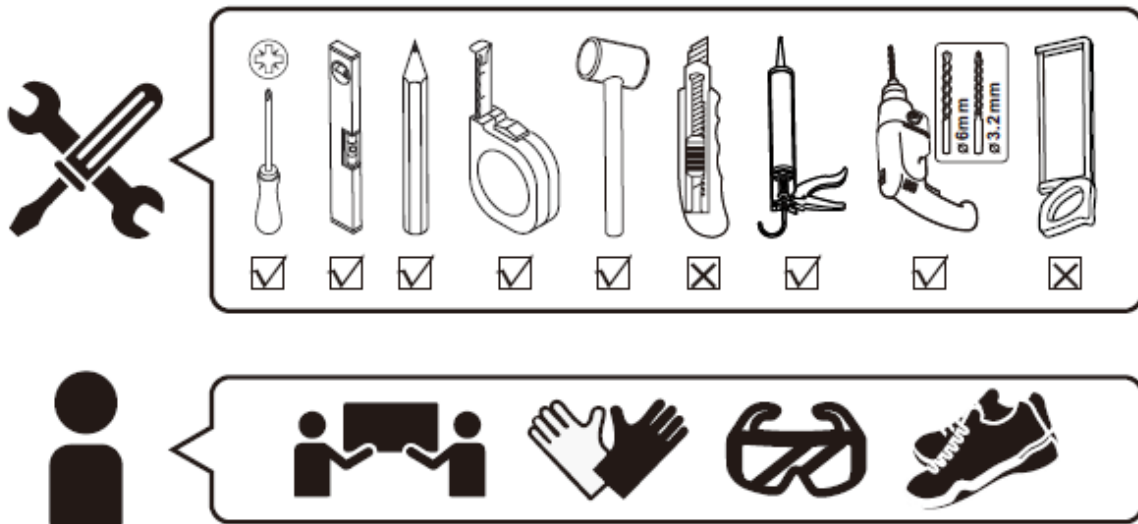
## AFTERCARE INSTRUCTIONS

After use, your shower should be cleaned with soap and water. This is particularly important in hard water districts where insoluble lime salts may be deposited and allowed to build up.

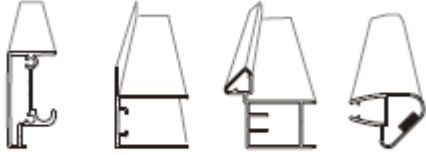
Cleaners of a gritty or abrasive nature should not be used. Care should be taken to avoid contact with strong chemicals such as organic solvents and strippers.

Class cleaners can be used but with caution, if in doubt contact the manufacturer of the cleaner in question.

Please keep these instructions for aftercare and customer service details.



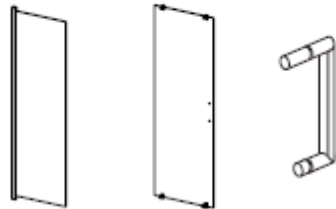
**SANICLASS**



[01] x2 [02] x2 [03] x1 [04] x1



[05] x2 [06A] x1 [06B] x1



[07] x1 [08] x1 [09] x1



[10] x2



[11] x4



[12A] x1



[12B] x1



[13] x8



[14] x8



[15] x8



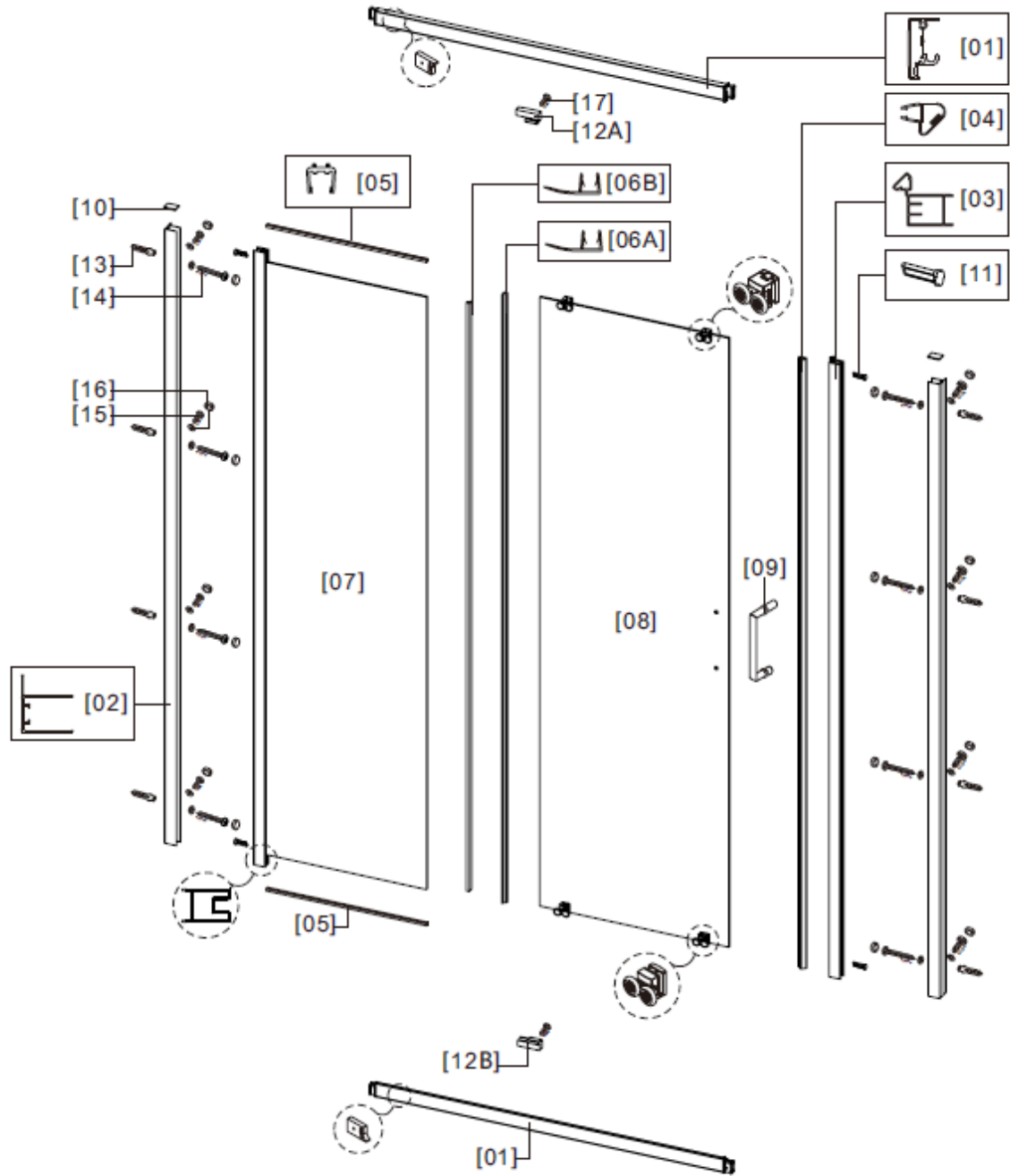
[16] x16



[17] x2



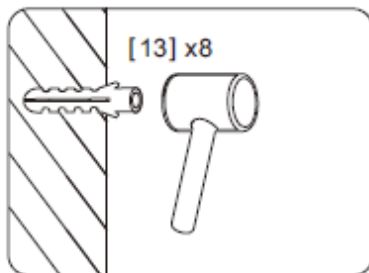
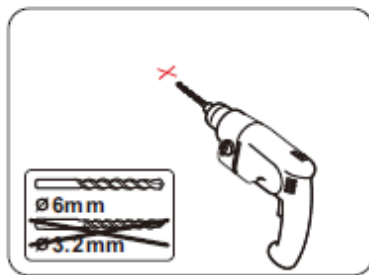
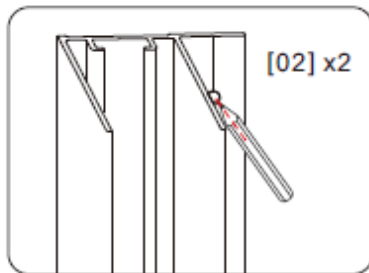
**SANICLASS**



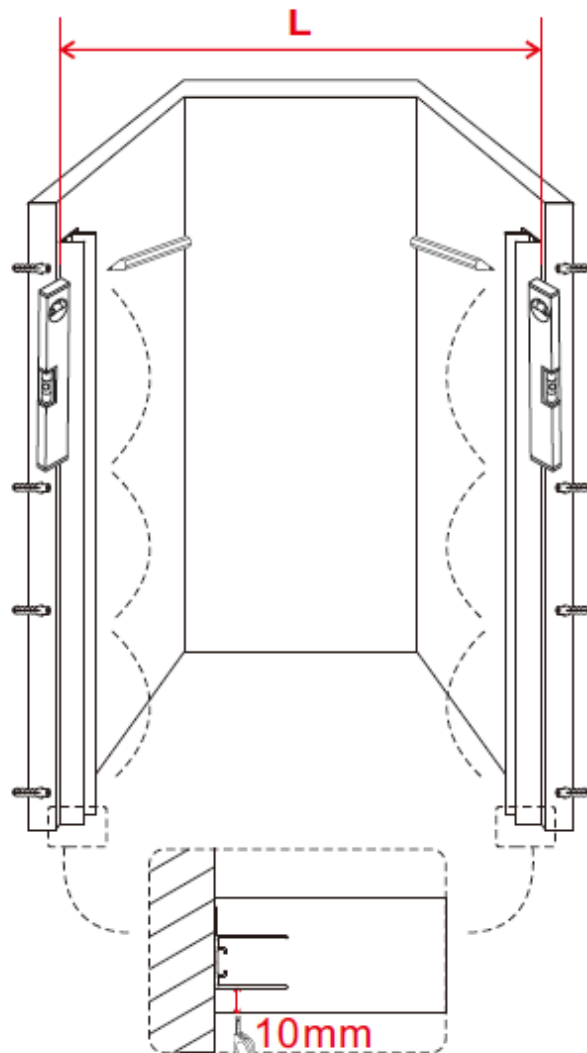
**SANICLASS**



**01**

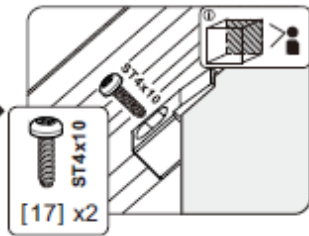
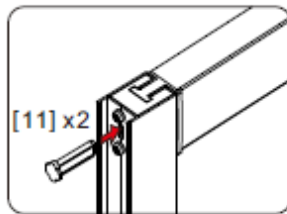
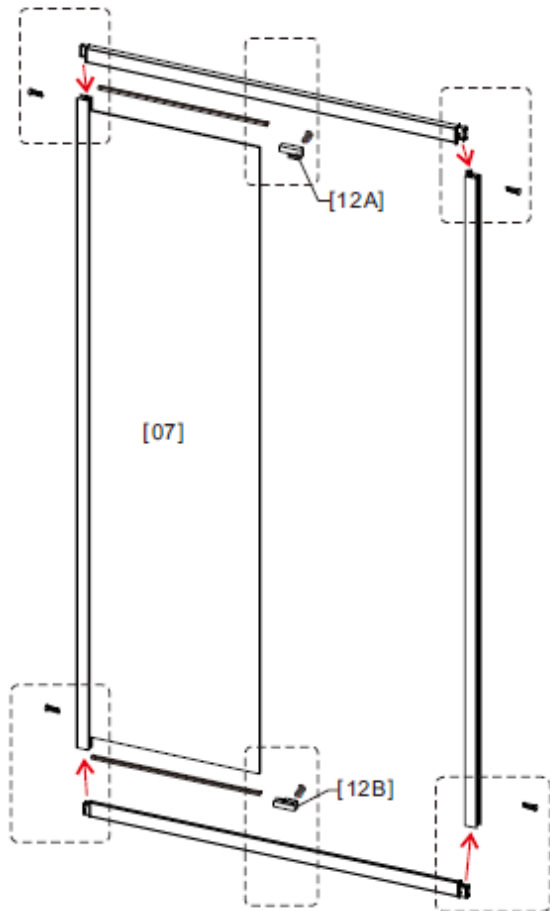
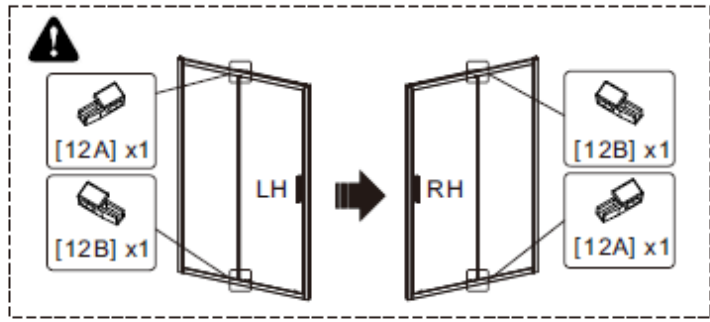
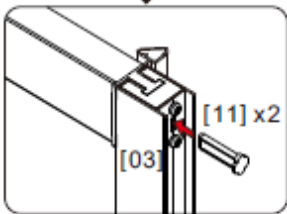
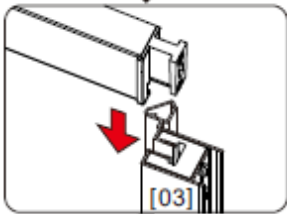
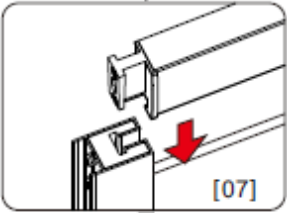
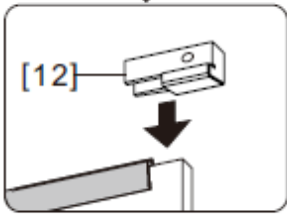
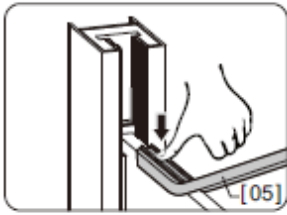


Adjust size	L	
	Min.	Max.
900	885mm	935mm
1000	985mm	1035mm
1100	1085mm	1135mm
1200	1185mm	1235mm
1300	1285mm	1335mm
1700	1685mm	1735mm



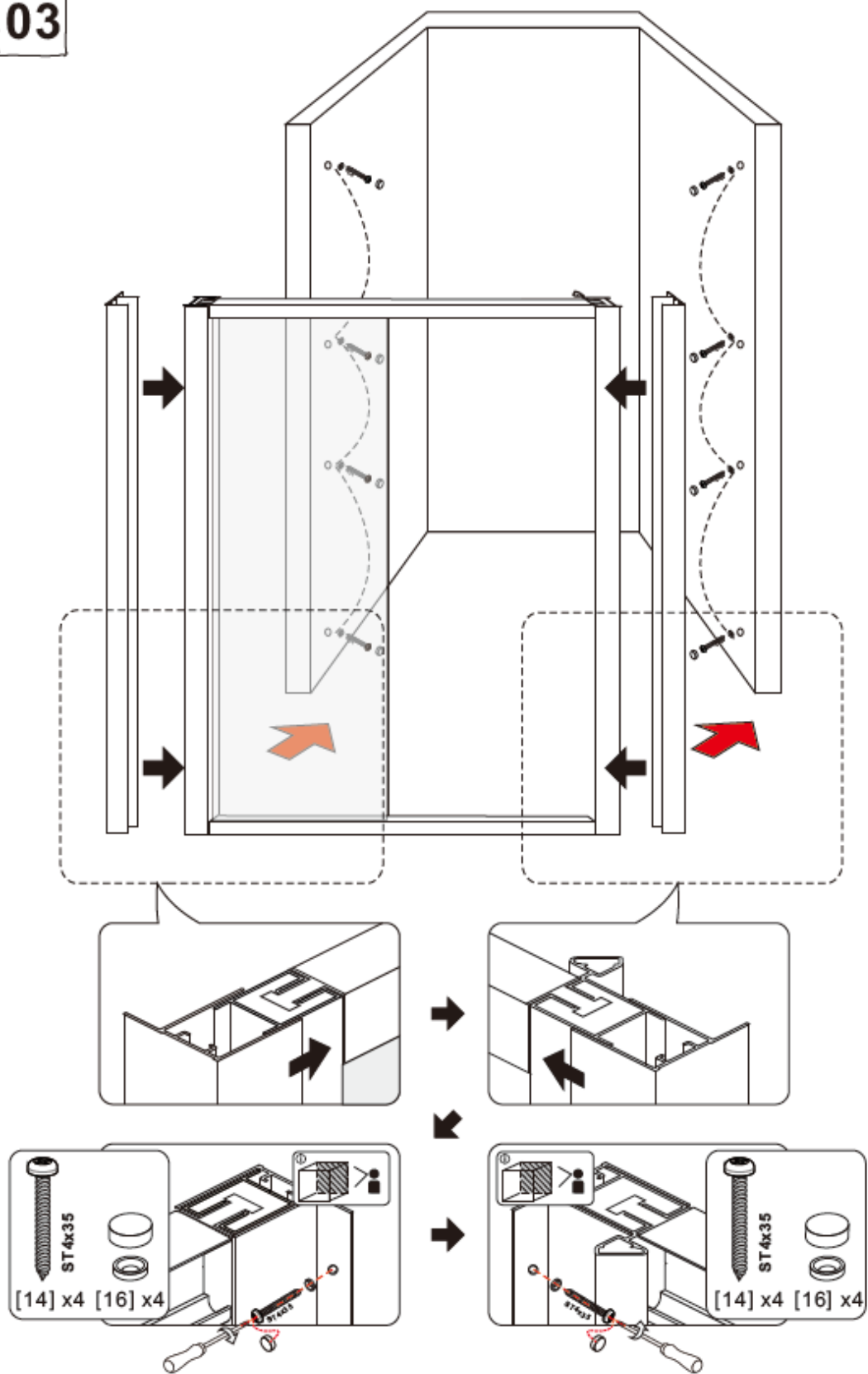
**SANICLASS**

02



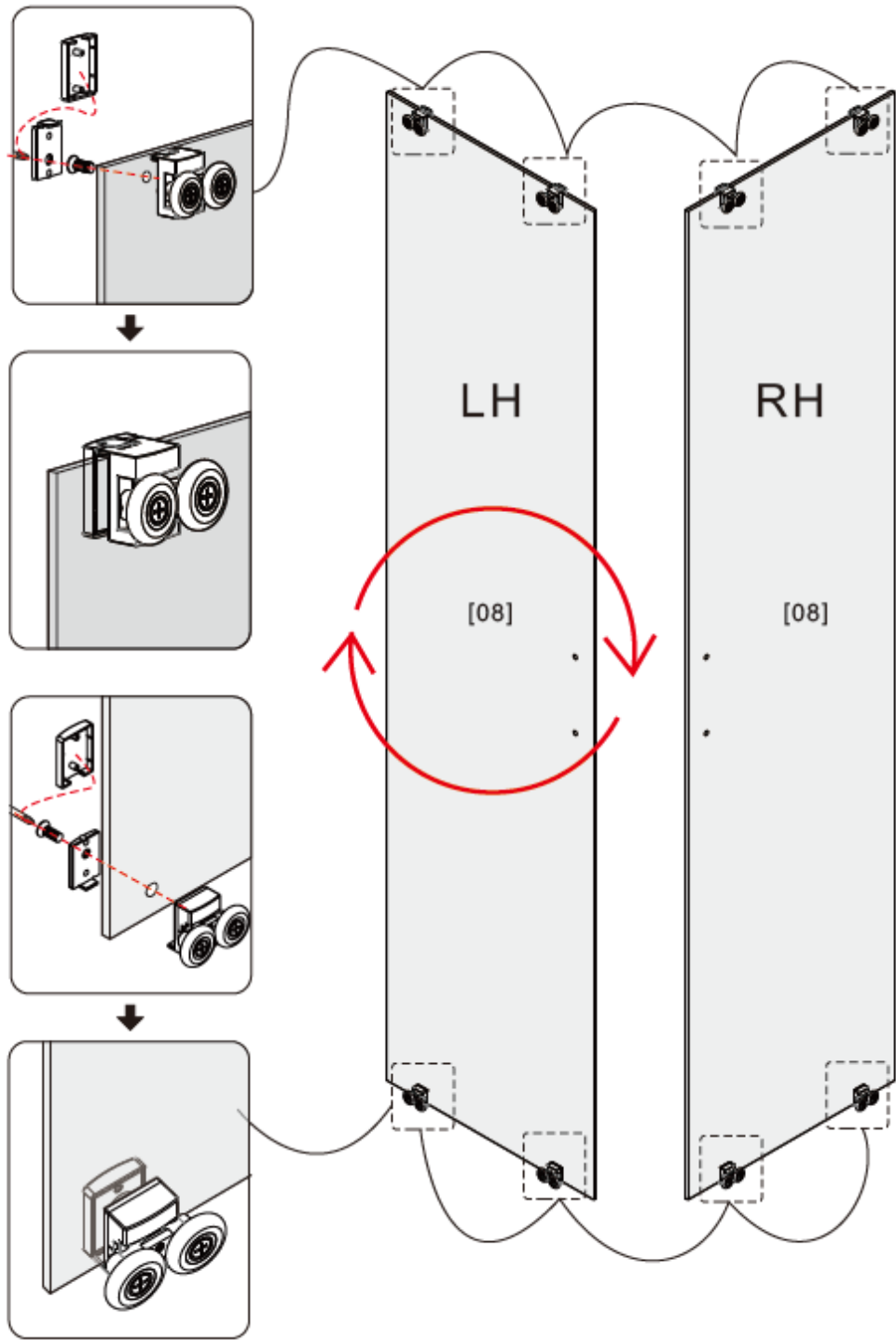
SANICLASS

03



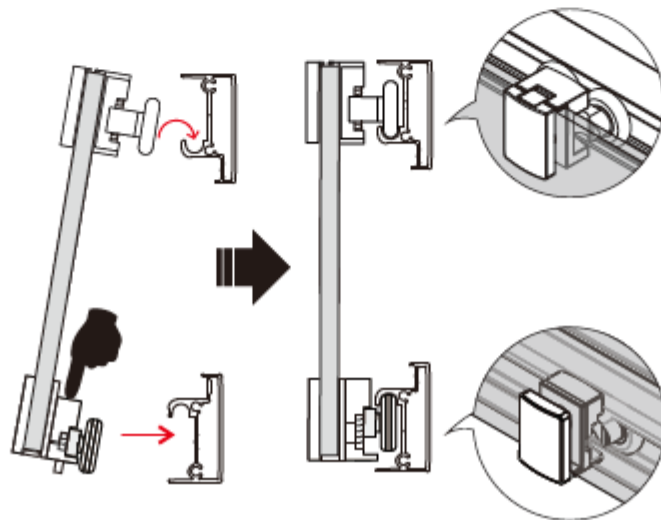
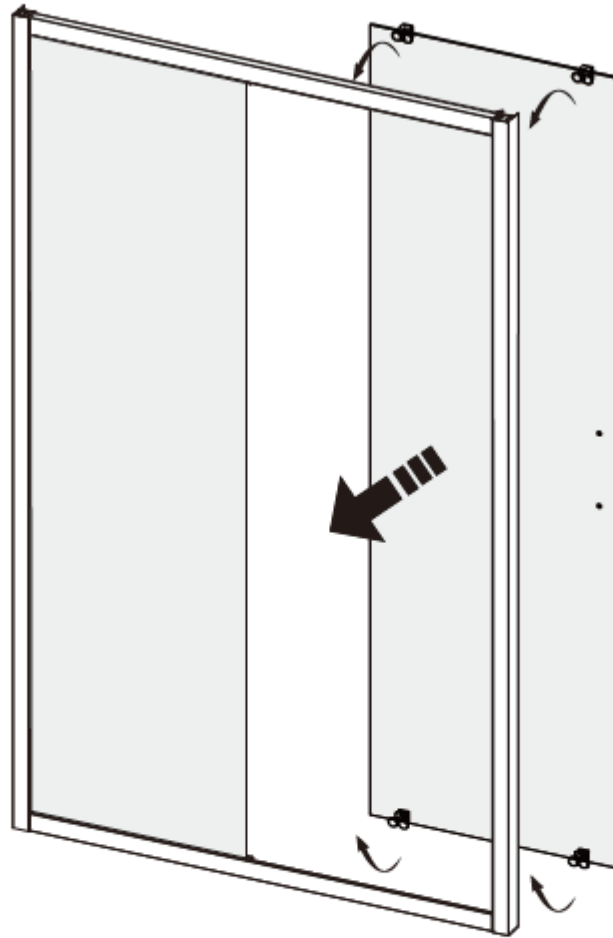
**SANICLASS**

04



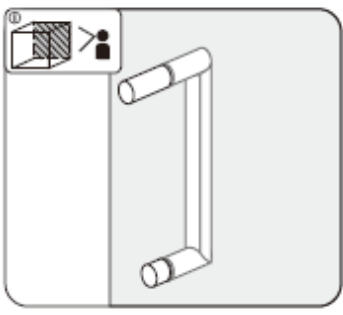
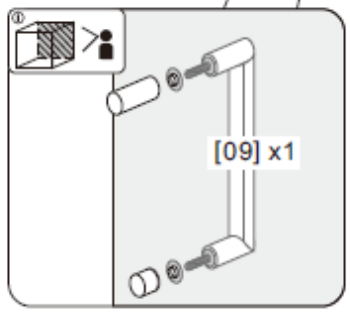
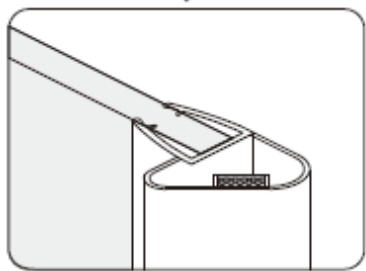
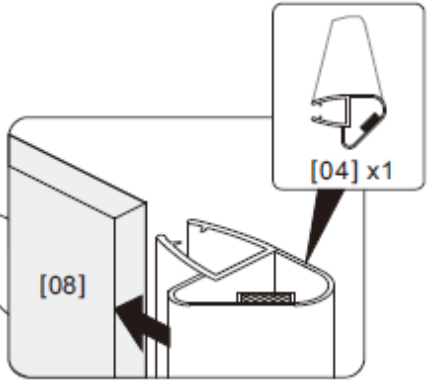
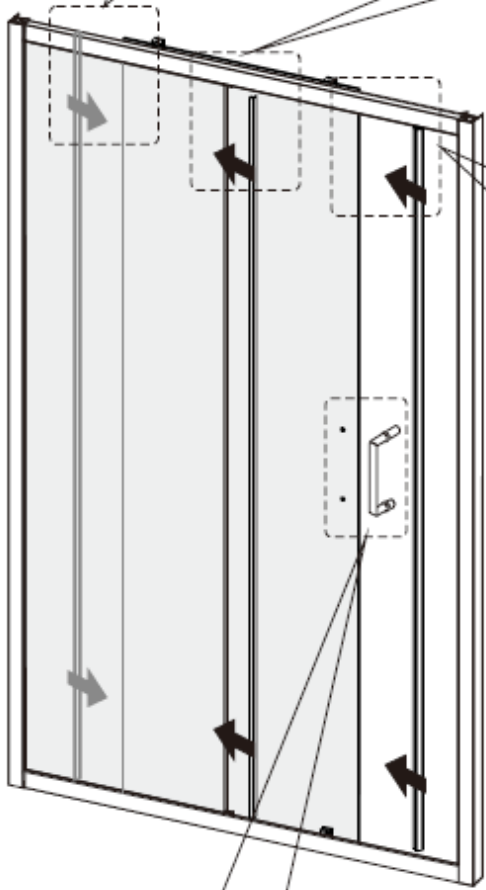
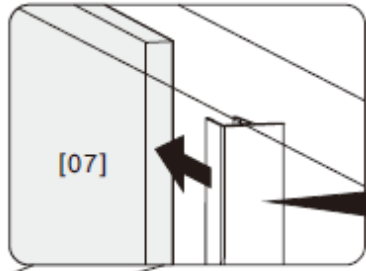
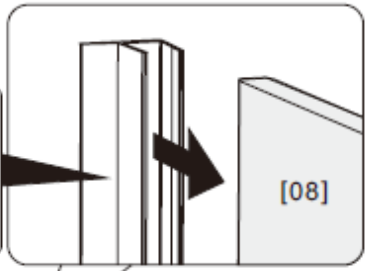
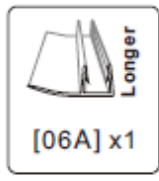
**SANICLASS**

05



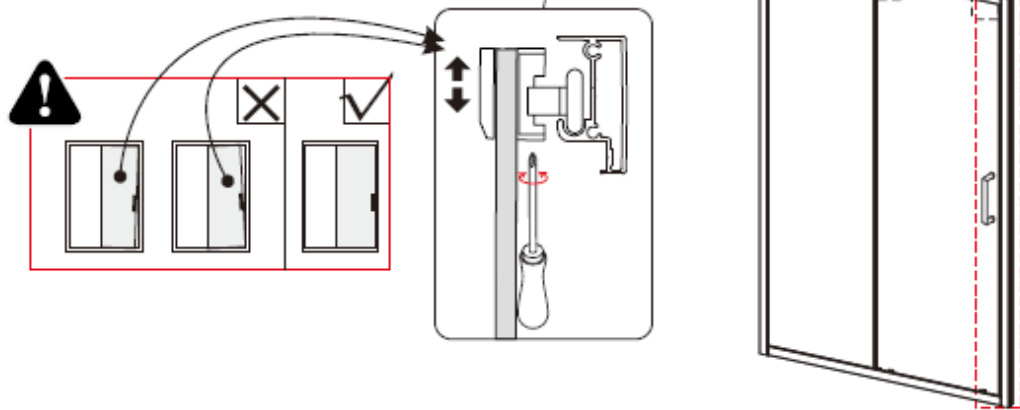
**SANICLASS**

**06**

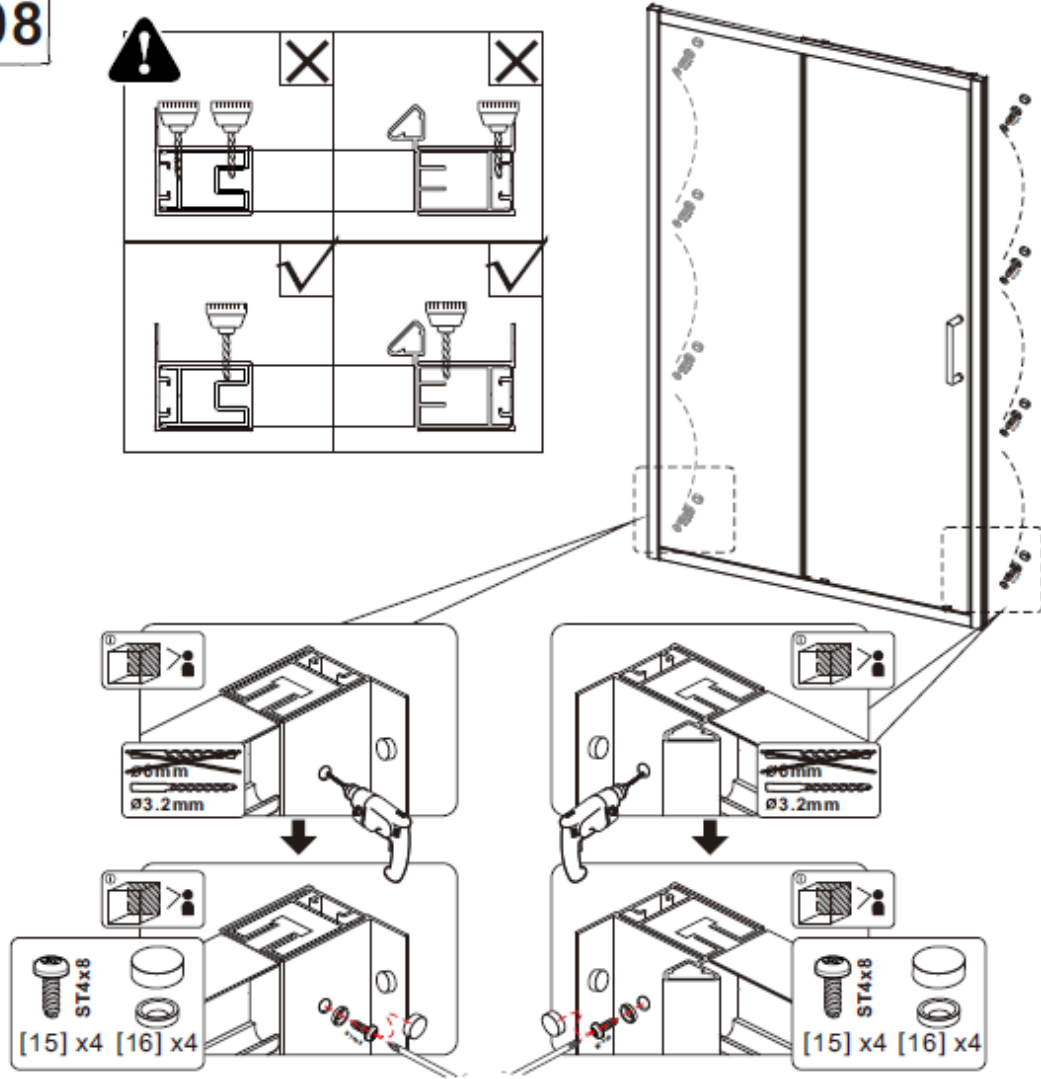


**SANICLASS**

07

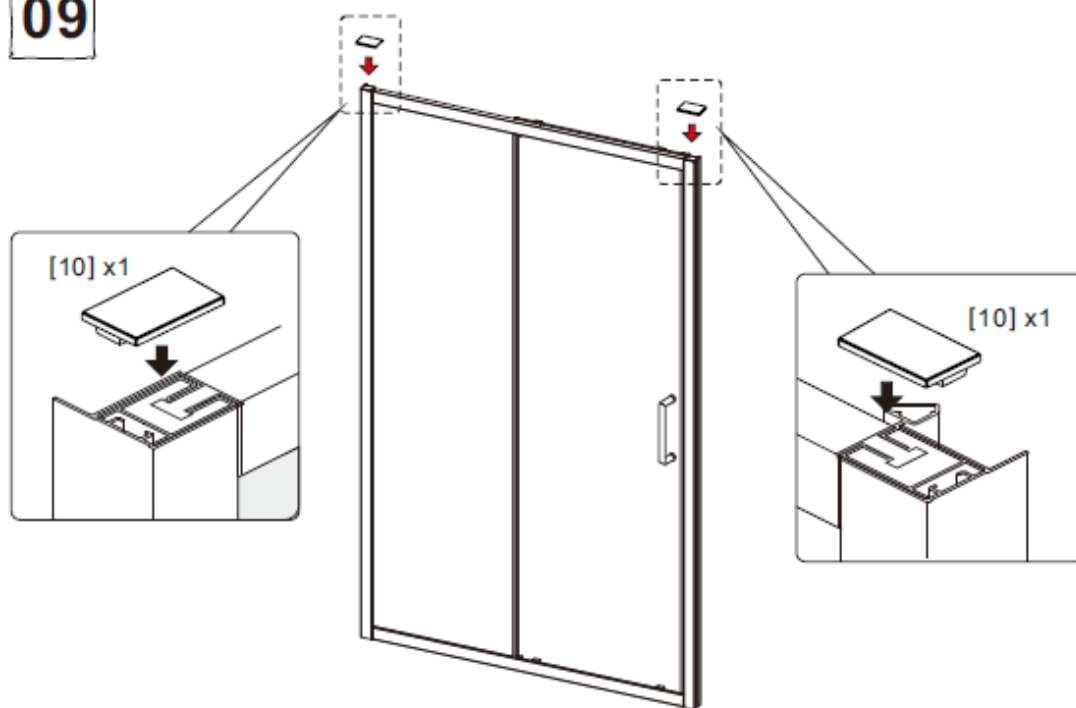


08

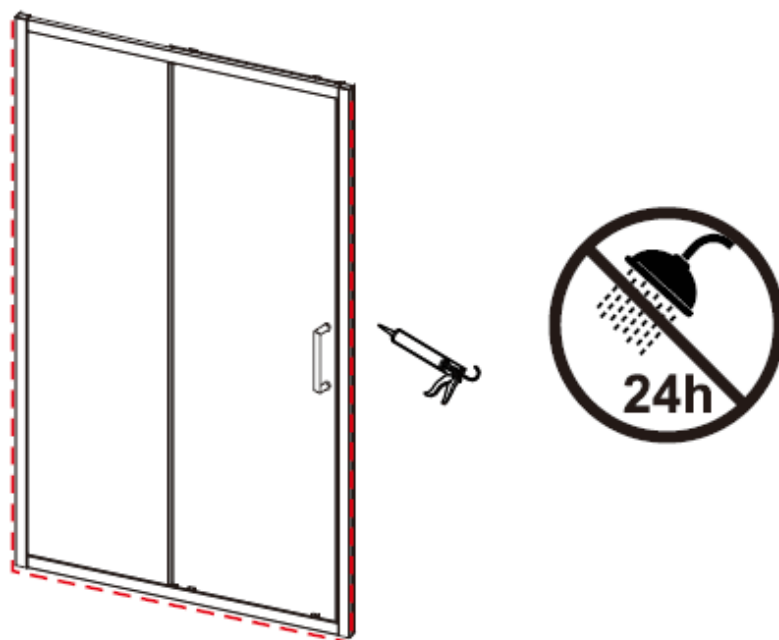


SANICLASS

09



10



**SANICLASS**