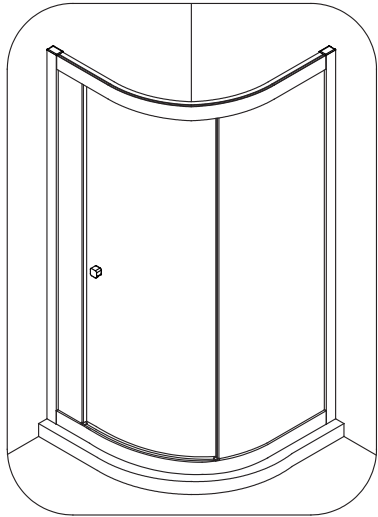


CLEAR 6 QUADRANT SINGLE DOOR

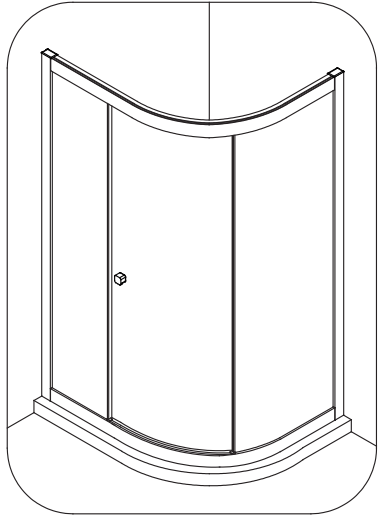
- CAQSSC0800
- CAQSSC0900
- CAQSSC10X8
- CAQSSC12X8
- CAQSSC12X9
- CAQSBC0800
- CAQSBC0900
- CAQSBC10X8

IMPORTANT

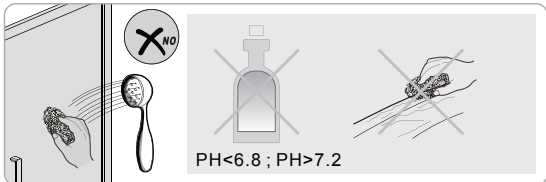
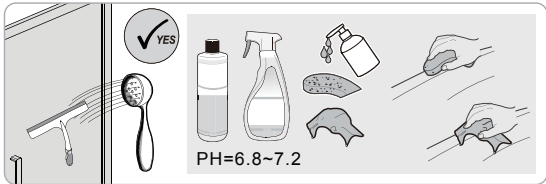
BEFORE STARTING THE INSTALLATION ENSURE ALL THE DOOR SIZE MEASUREMENTS CORRESPOND WITH THE INSTALLATION AREA INCLUDING THE FINISHED TILED/PANELLED WALLS. RETURNS DUE TO INCORRECT SIZING WILL NOT BE ACCEPTED.



800mm x 800mm Quadrant
900mm x 900mm Quadrant



1000mm x 800mm Offset Quadrant
1200mm x 800mm Offset Quadrant
1200mm x 900mm Offset Quadrant



INSTALLATION INSTRUCTIONS

crosswater[®]
SHOWERING

IMPORTANT - Please read before installation

Please read these instructions carefully before starting installation and keep in a safe place for future reference.

Check the contents of the pack carefully before installation. Crosswater will not be held responsible for any de-fit / re-fit costs where faulty product has been fitted.

If any fault is found with materials or workmanship, it must be reported immediately to the manufacturer. Remedial action will be taken, based on information received, on condition that:

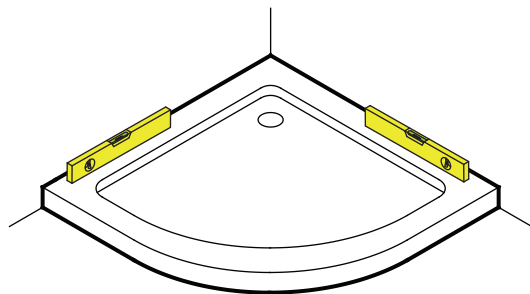
1. Full details are supplied to the manufacturer;
2. The enclosure has not been modified or tampered with;
3. The manufacturer is informed of any damage/shortages prior to installation.

We do not accept responsibility for any problems that may occur through incorrect installation.

The success of the installation and operation of any shower enclosure is, of course, dependant on the squareness, alignment and construction of the walls to which fixing is to be carried out.

VERY IMPORTANT

You must complete all tiling and grouting, and the shower tray **MUST** be level and fully sealed to the tiles before installation. If you do not fit the enclosure onto a tiled surface, or seal the tiles to the tray before installation, water may soak into the wall behind the wall profiles.



INSTALLATION - Advice and safety

The installation instructions are based on typical use and conditions.

These products come with the two wall channels pushed onto each side of the glass panel frame.

These hints have been prepared for your guidance, you must exercise due care at all times.

For Health and Safety 2 people must carry out the installation of this enclosure.

Handle glass with care. Although the glass supplied is toughened safety glass (EN12150), impacts can damage both the glass and the frame.

Warning!

Please check for any hidden pipes or cables before drilling holes in the wall.

To stop the drill bit slipping, masking tape can be applied to the tiles when preparing the holes.

When using power tools always follow the manufacturers user instructions.

Do not sit the enclosure on a bed of silicone, as this will also stop any water from draining back into the tray.

If the enclosure is sealed to the tray on the inside, any water that may get into the framework will not be able to drain back into the tray, this may cause the enclosure to leak.

Leave the silicone sealant to dry for 24 hours before using the enclosure.

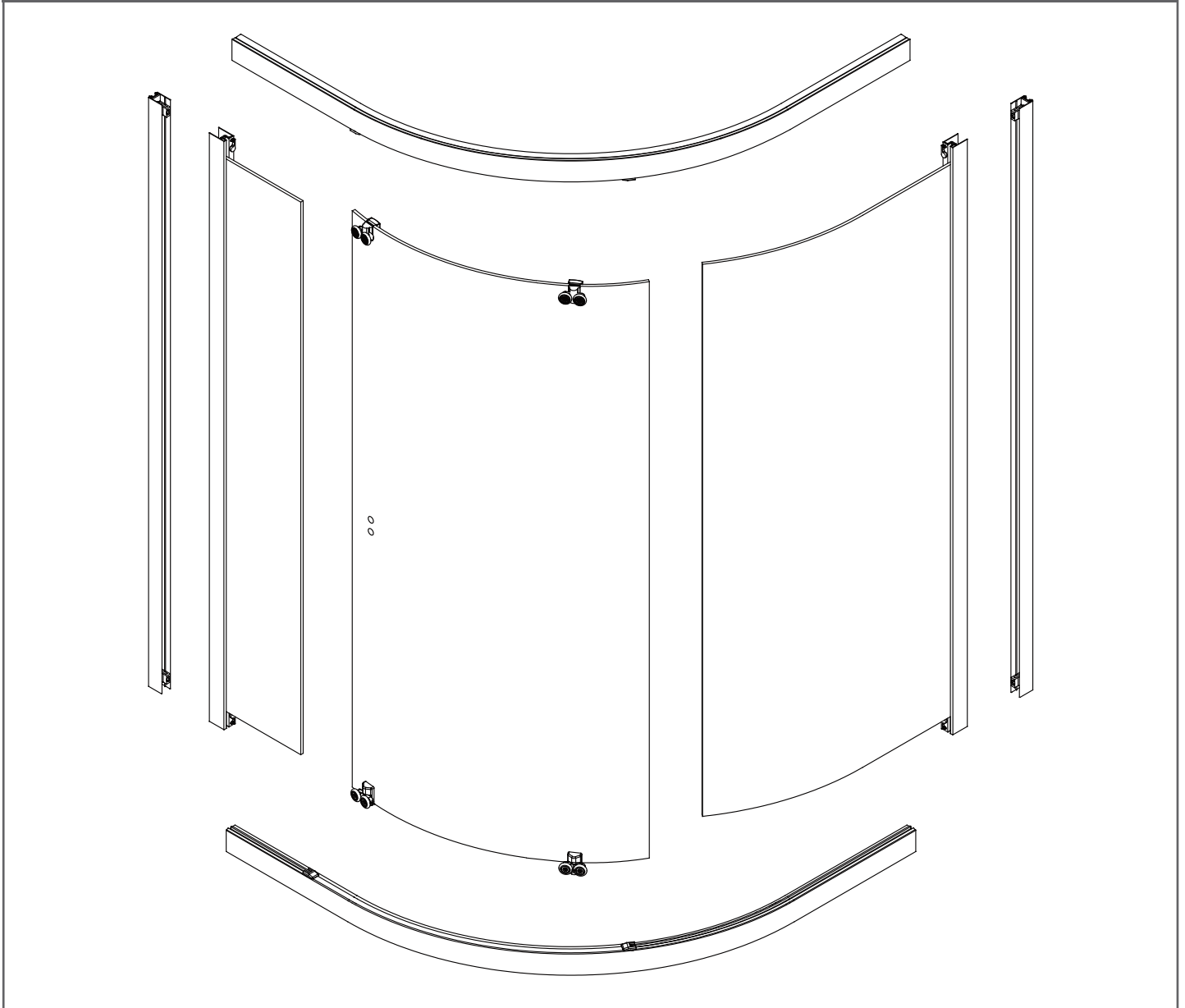
CARE AND CLEANING

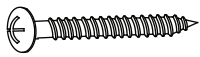
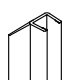
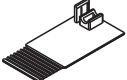

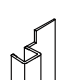
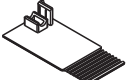

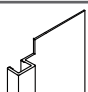


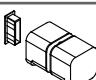
Do not use solvents or abrasive material or chemicals to clean the enclosure.

Only clean using soapy water and a soft cloth, rinse thoroughly afterwards.

CONTENTS

QUADRANT SINGLE DOOR



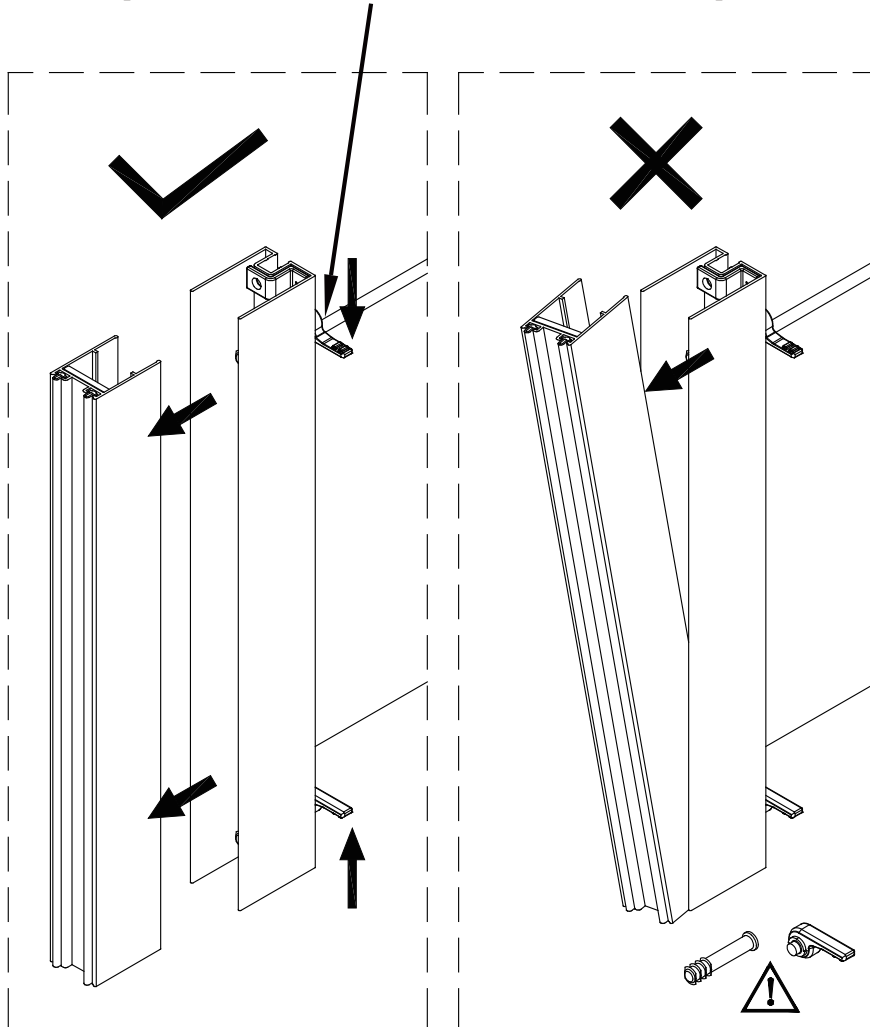
A	 M4 *40mm Screw x 6	E	 Waterproof strip x 1	I	 Top Cap x 1
B	 M4 *30mm Screw x 8	F	 Waterproof strip x 1	J	 Top Cap x 1
C	 Wall Plug x 6	G	 Waterproof strip x 1	K	 Spanner x 1
D	 Cover x 4	H	 Handle x 1		

Tools and equipment needed

Drill, 6mm Masonry drill bit, Philips screwdriver, Spirit level, Pencil, Tape measure, Silicone sealant.

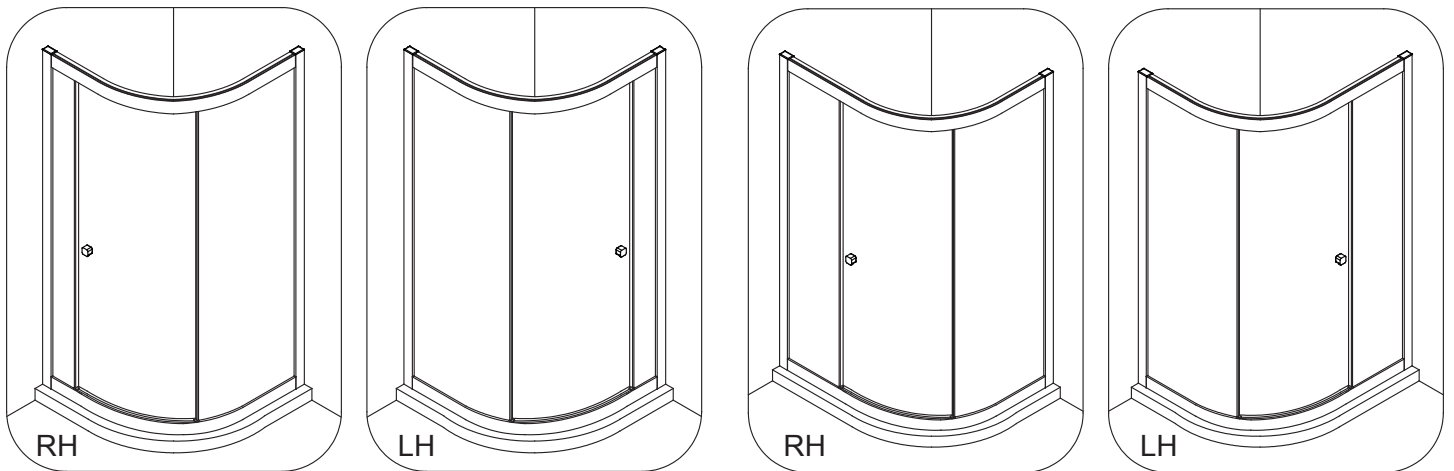


Before removing the wall profile for installation please ensure the locking pin lever is in a horizontal position.



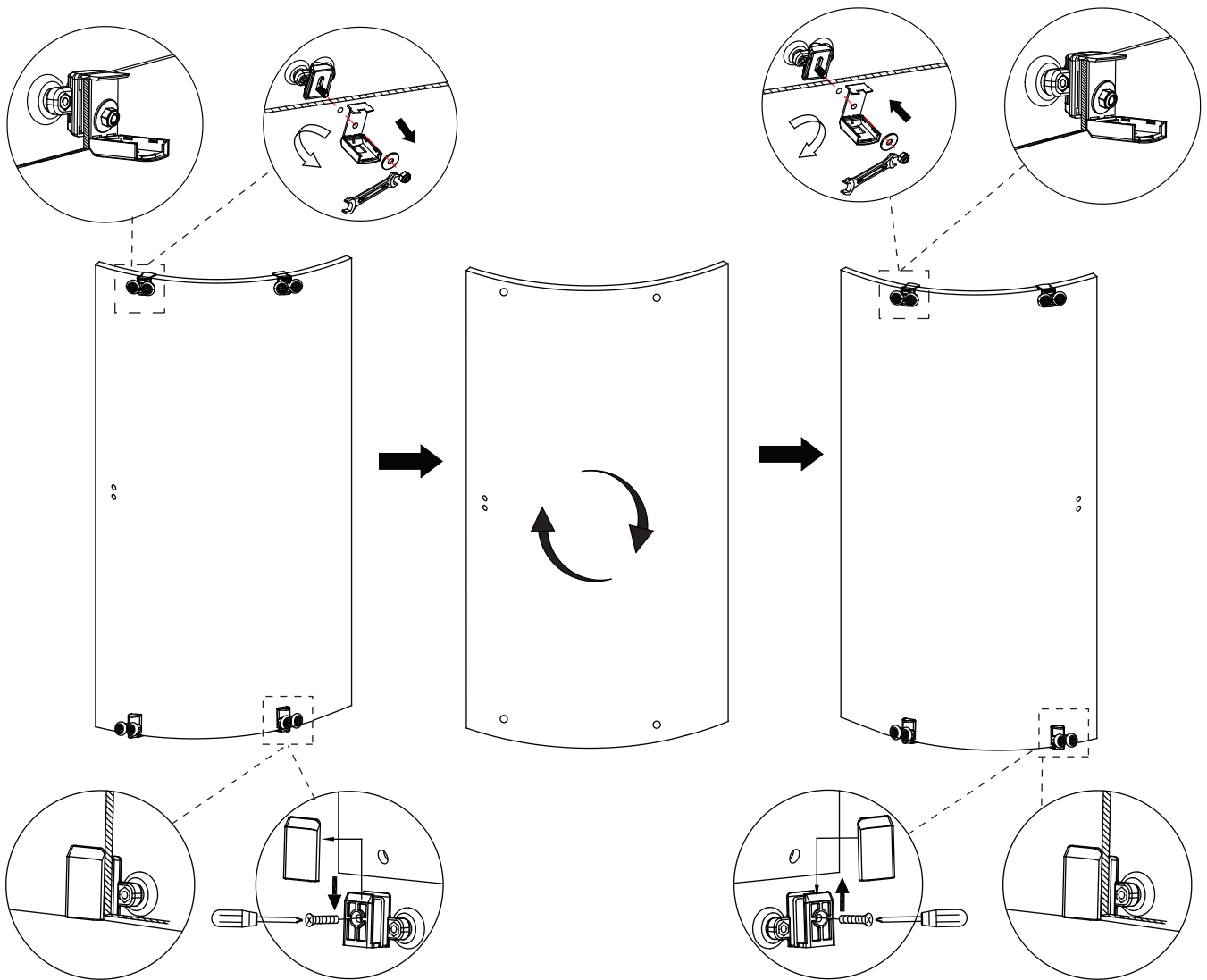
CAUTION

THE WALL PROFILE MUST BE REMOVED PARALLEL FROM BOTH ENDS AT THE SAME TIME

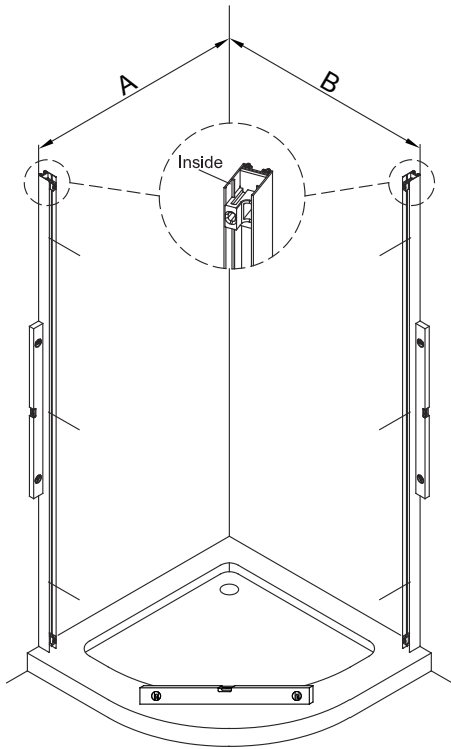


The Quadrant shower enclosure is reversible for left or right hand fitting. While the installation of the enclosure is RH, You just ignore the diagram below. For the LH installation, the diagram below should be followed.

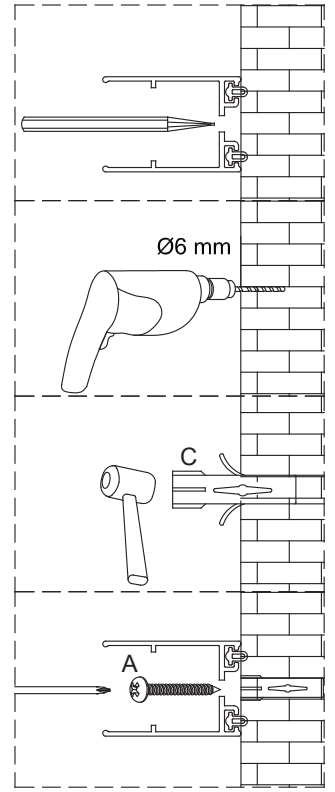
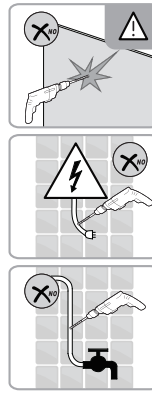
- 1: Disassemble the top and bottom roller using the tool (K).
- 2: Turn the glass up side down.
- 3: Reinstall the top and bottom roller.



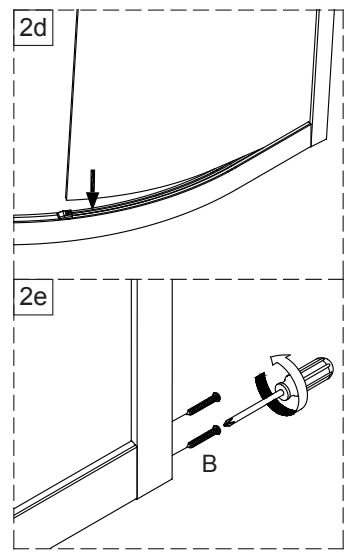
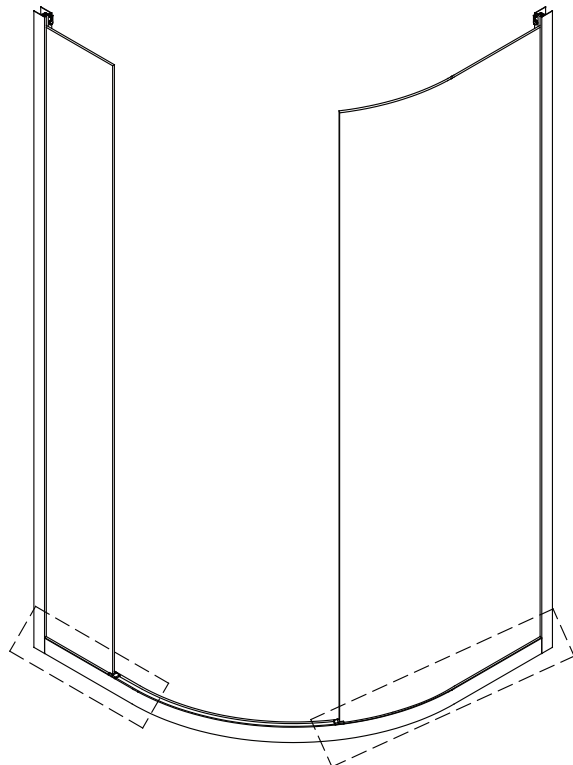
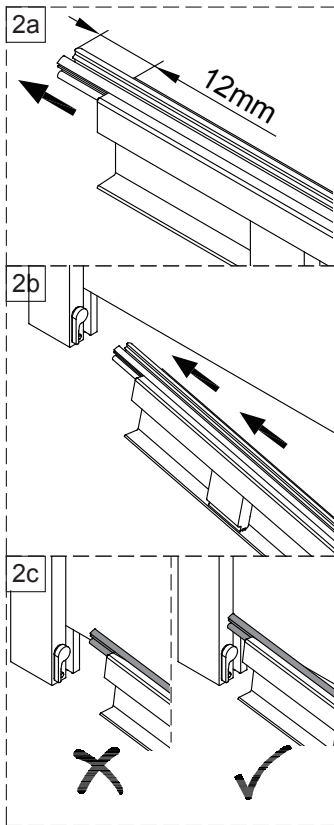
Step 1



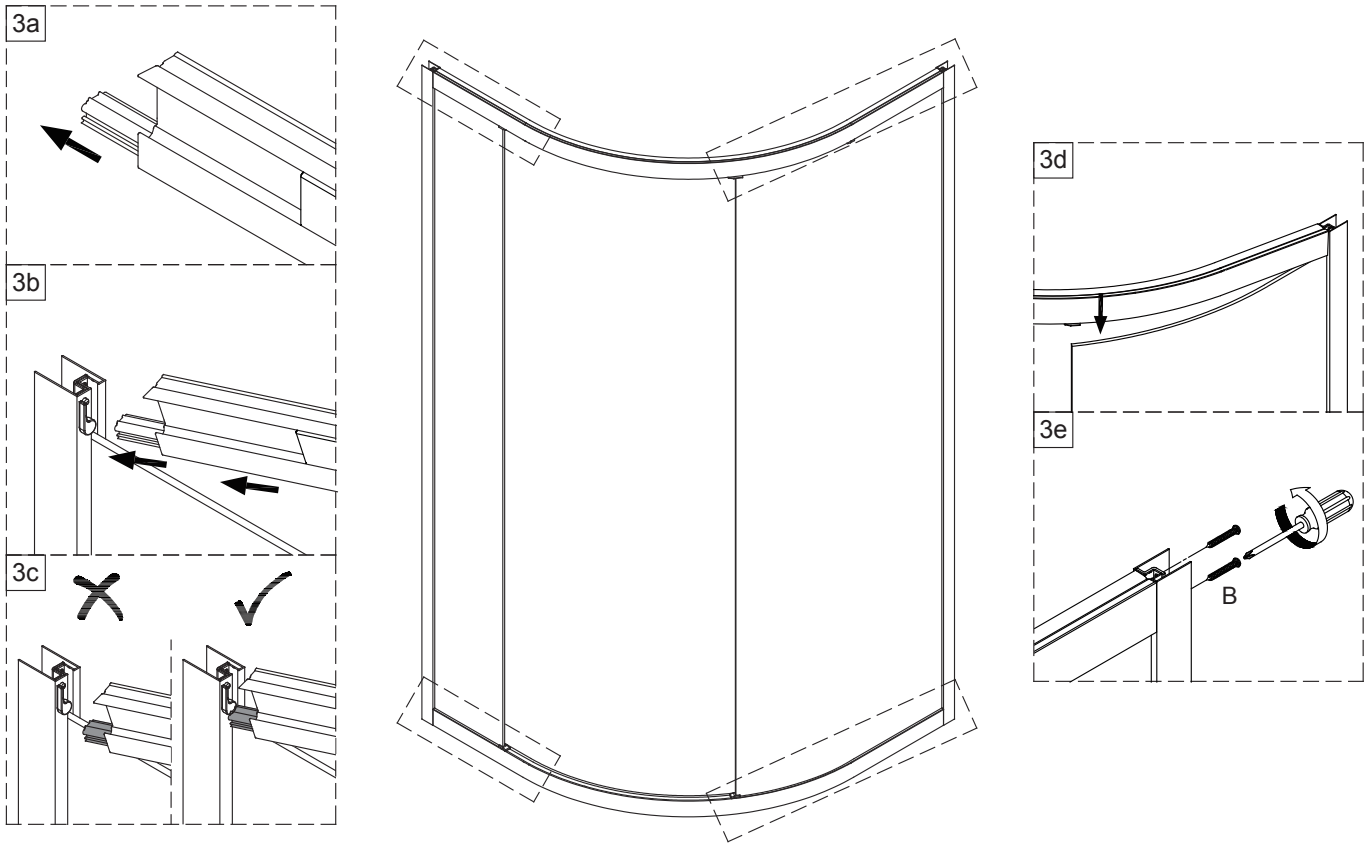
Model	A(mm)	B(mm)
CAQSSC0800	769~784	769~784
CAQSSC0900	869~884	869~884
CAQSSC10X8	969~984	769~784
CAQSSC12X8	1169~1184	769~784
CAQSSC12X9	1169~1184	869~884
CAQSBC0800	769~784	769~784
CAQSBC0900	869~884	869~884
CAQSBC10X8	969~984	769~784



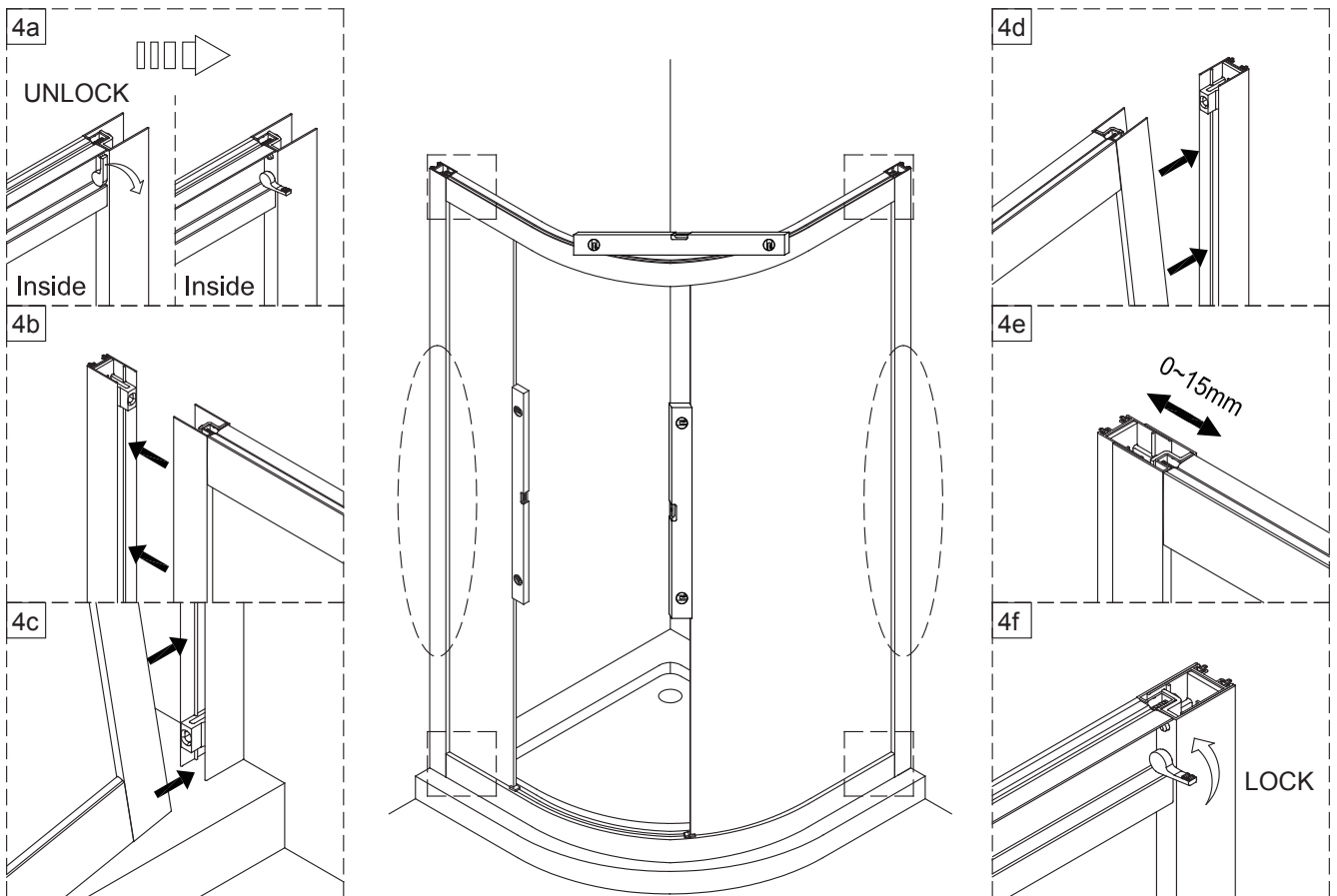
Step 2



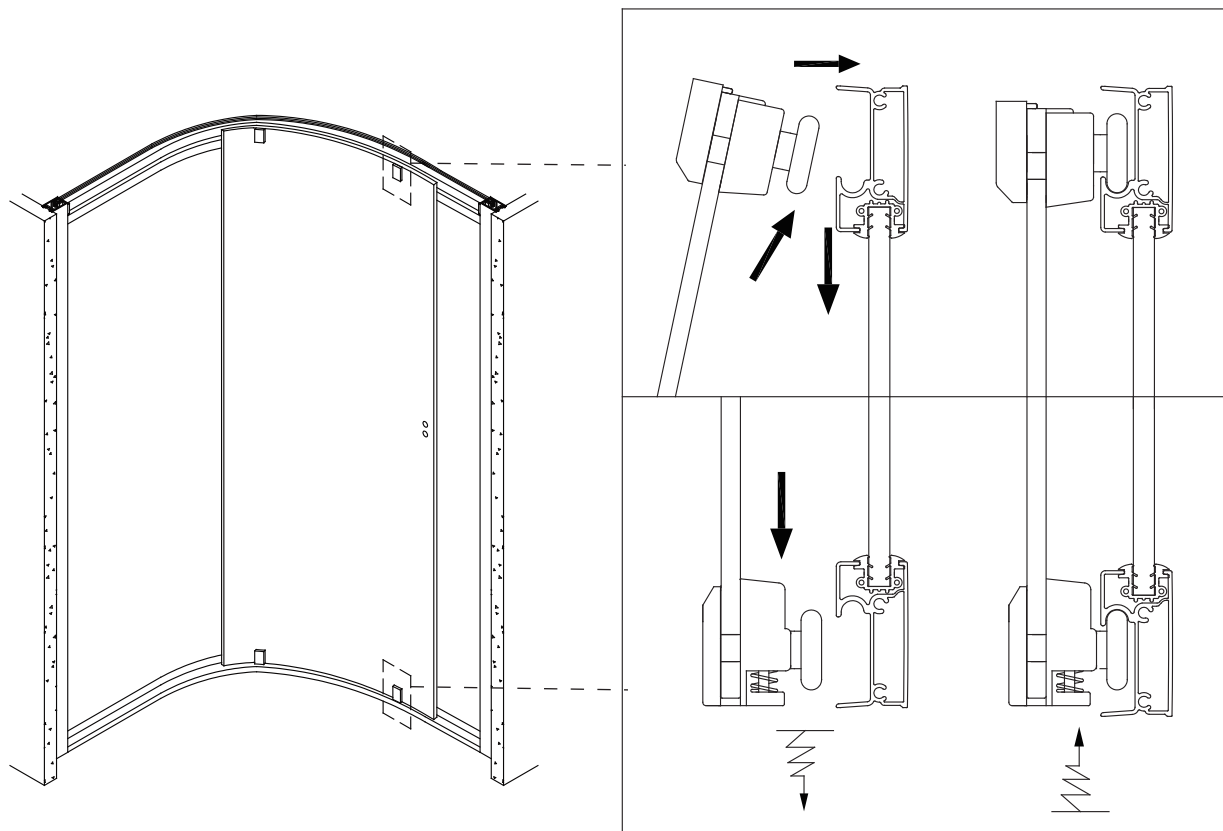
Step 3



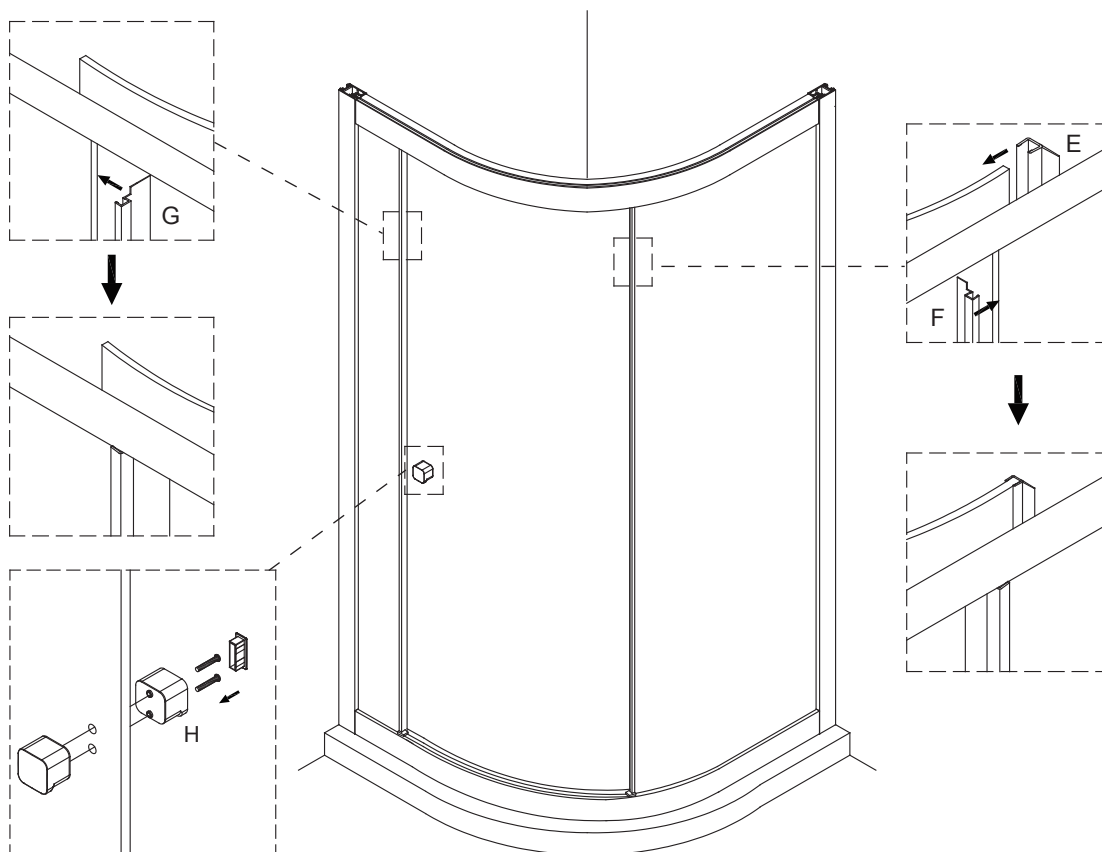
Step 4



Step 5

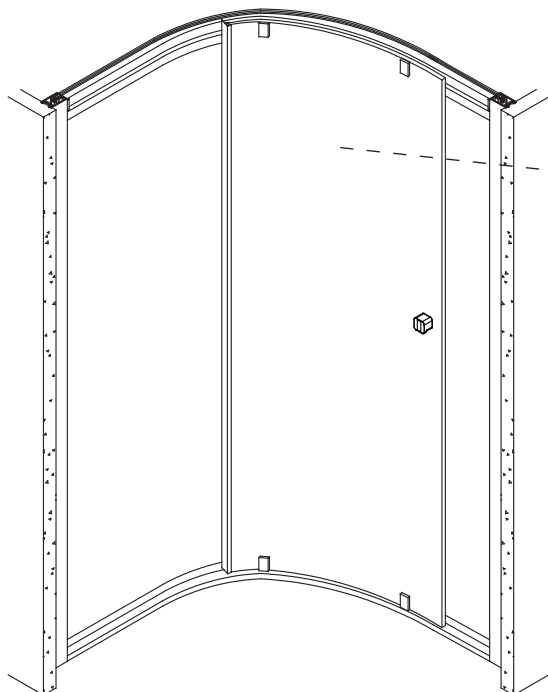


Step 6



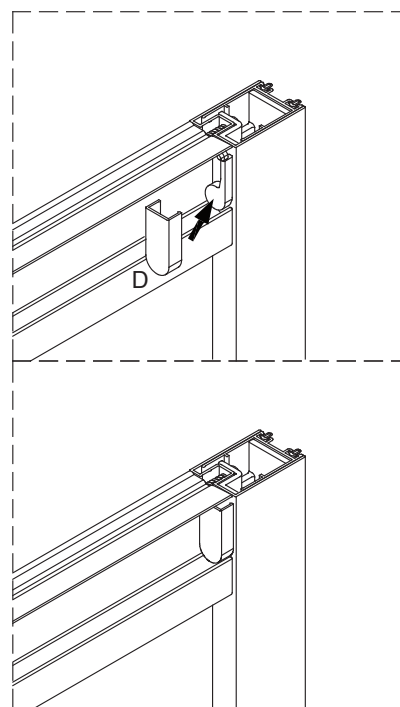
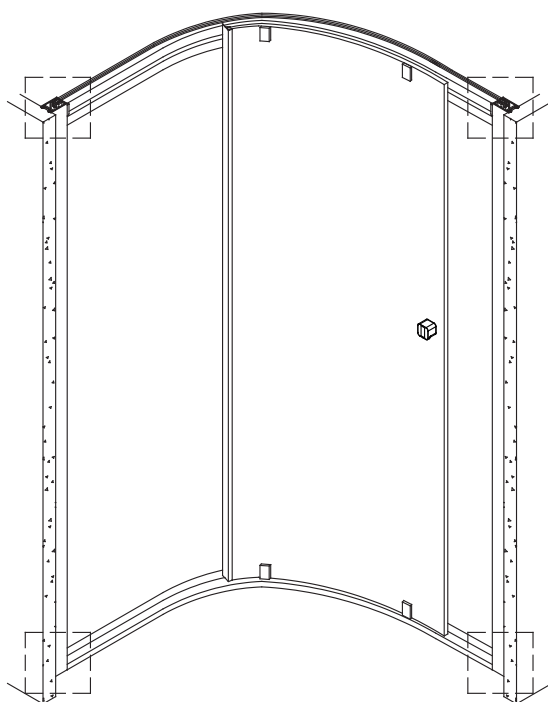
Step 7

Please check that if the sliding door is skew it will not work correctly. Loosen the top roller and adjust the sliding door. The nut of top roller must be tightened after having the sliding door adjusted vertically.

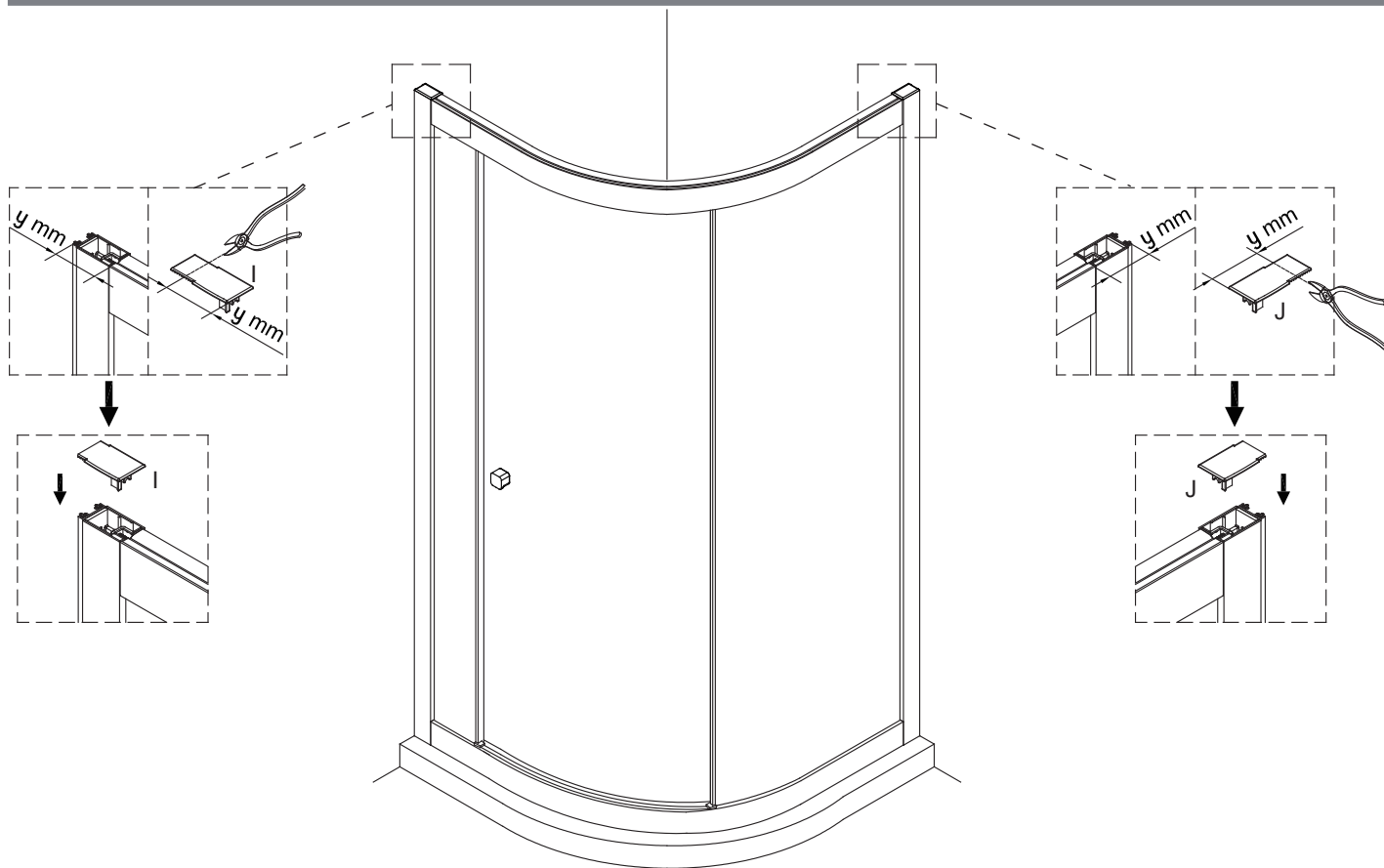


Problem	Resolution

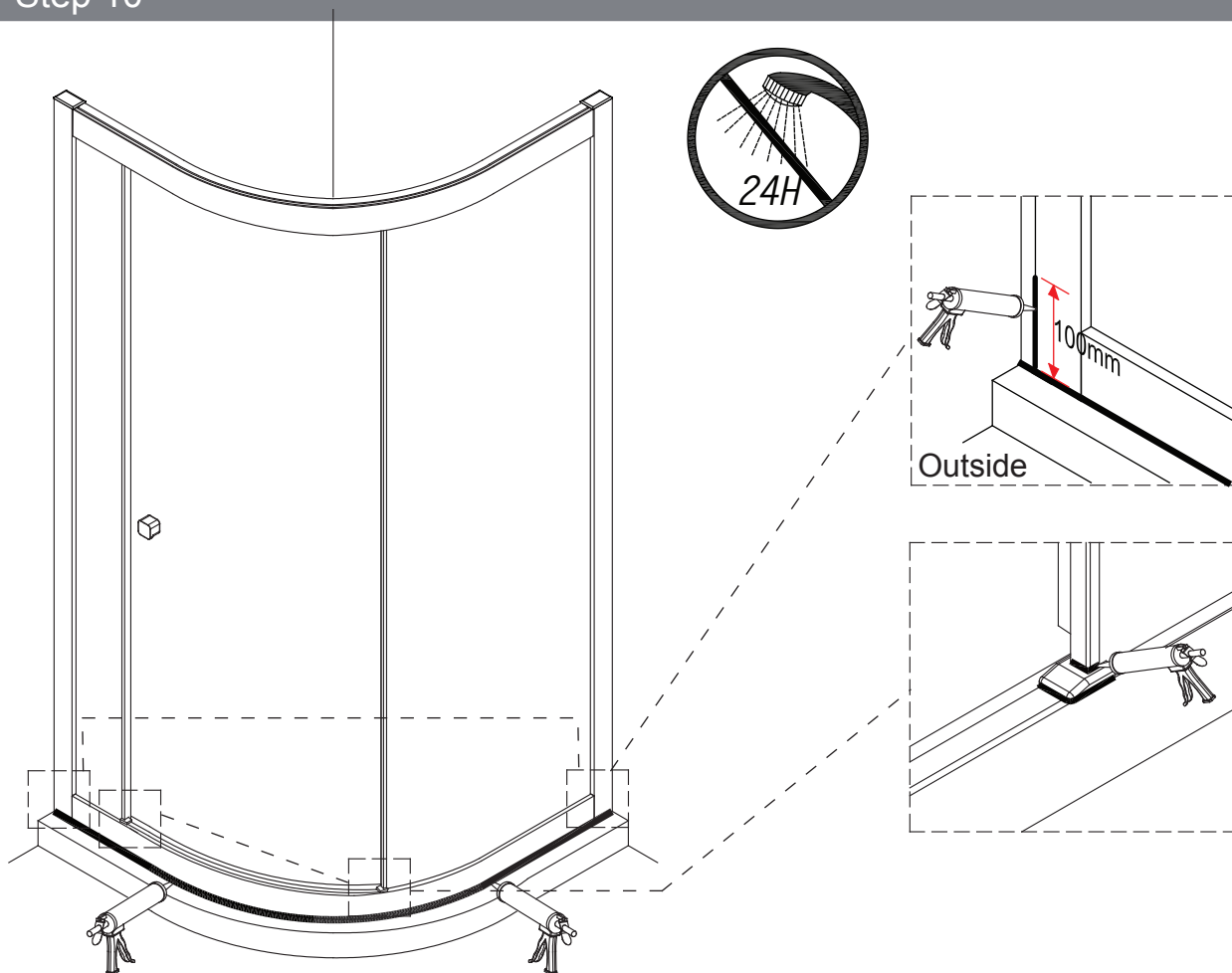
Step 8

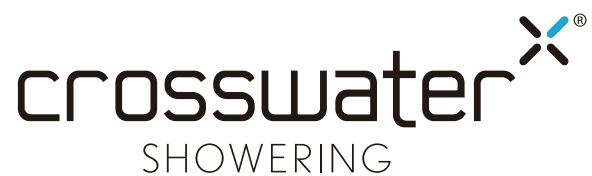


Step 9



Step 10





For any further information please contact Crosswater
Phone number, 0345 873 8840
Website, crosswater.co.uk
Email address, sales@crosswater.co.uk
The manufacturer reserves the right to make technical
modifications without prior notice.