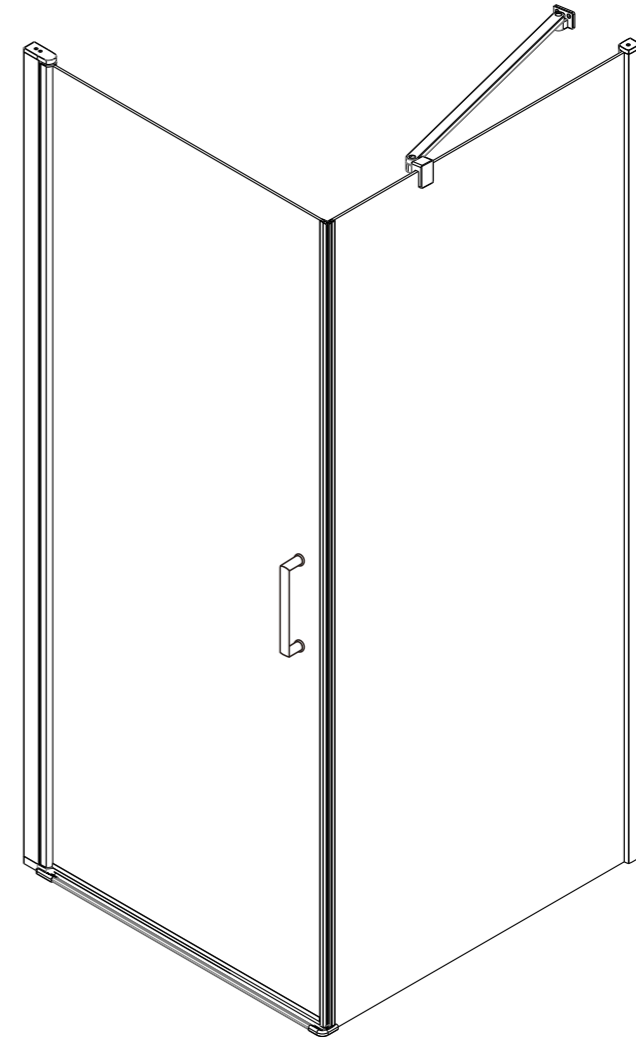


# INSTALLATION INSTRUCTIONS

**SW238230/SW238231**



Size: 800x800x2000mm  
900x900x2000mm



## ◆ General Information

Please inspect the product immediately upon receipt for transit damage, missing packs/parts or manufacturing fault. Damage reported later cannot be accepted. Please handle the product with care avoiding knocks and shock loading to all sides and edges of the glass.

### Notes: Safety glass can not be re-worked.

Please read these instructions carefully before start of installation.

Special care should be taken when drilling walls to avoid hidden pipes or electrical cables.

Note: This product is heavy and may require two people to install.

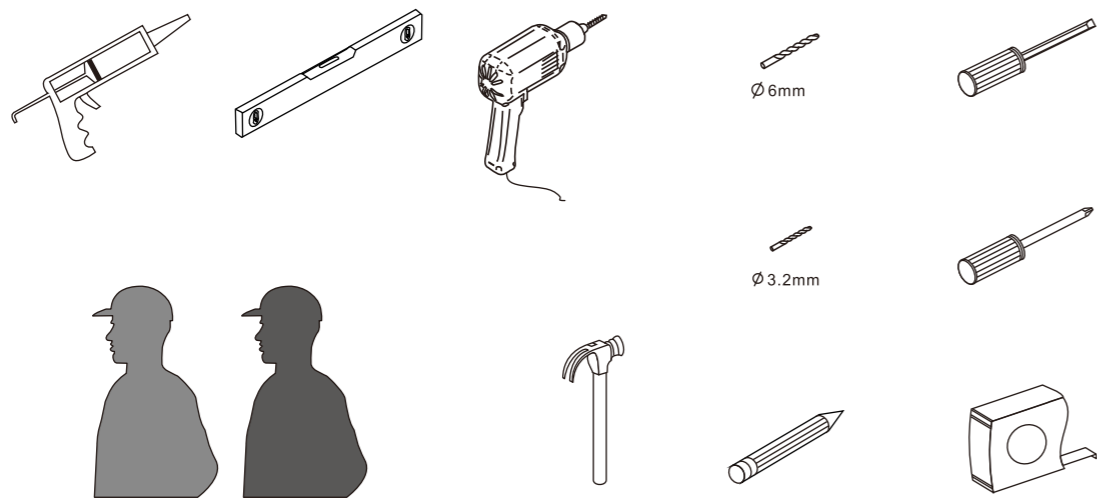
### Aftercare instructions

After use, your shower should be cleaned with soap and water. This is particularly important in hard water districts where insoluble lime salts may be deposited and allowed to build up. Cleaners of a gritty or abrasive nature should not be used. Care should be taken to avoid contact with strong chemicals such as organic solvents and strippers.

Glass cleaners can be used but with caution, if in doubt contact the manufacturer of the cleaner in question.

Please keep these instructions for aftercare and customer service details.

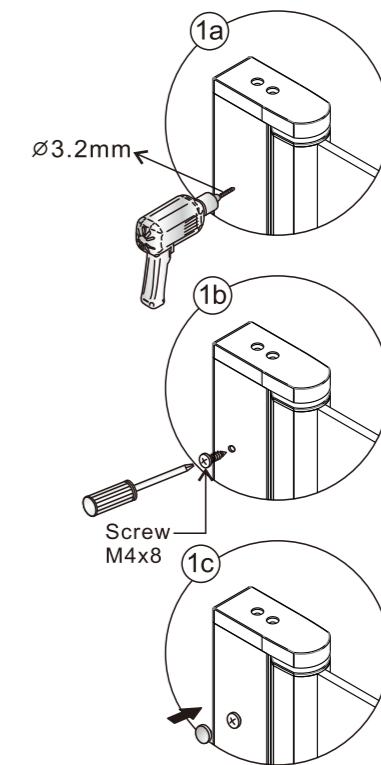
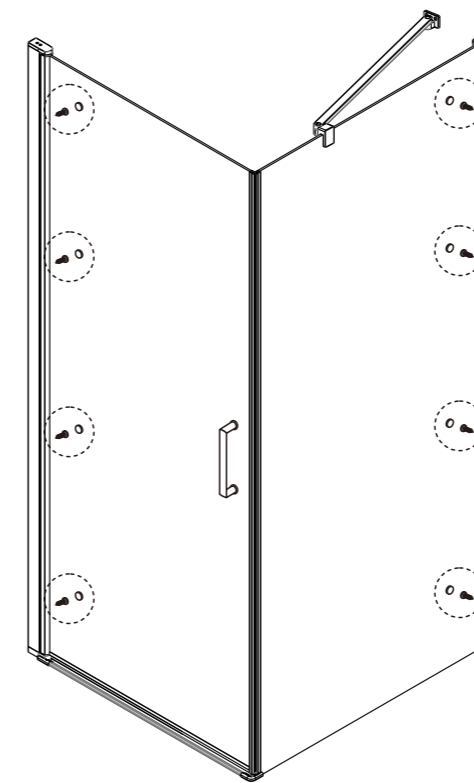
### Tools Required



This product is heavy and may require two people to install.

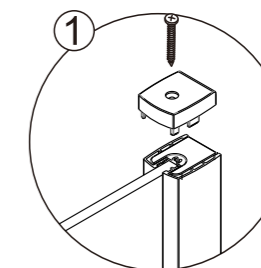
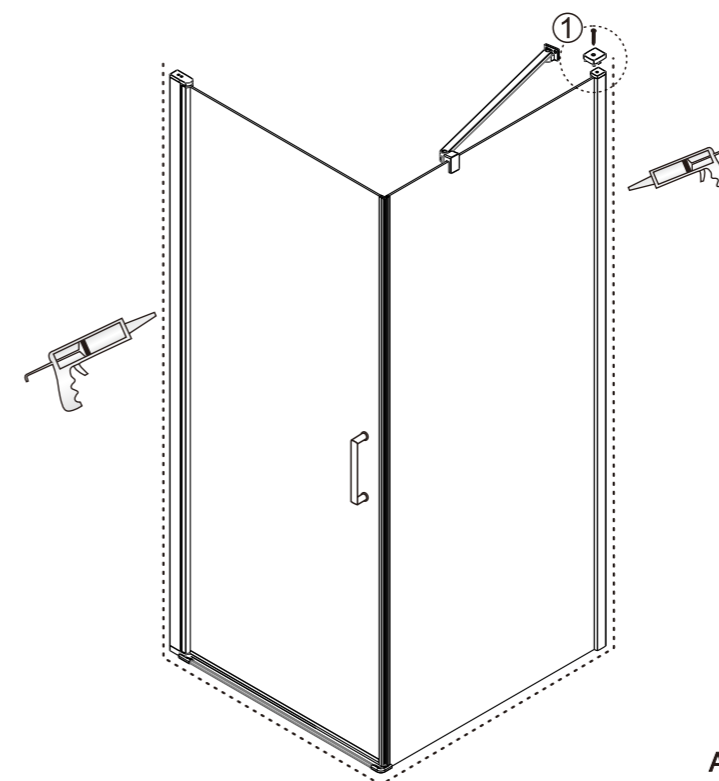


## Step 5



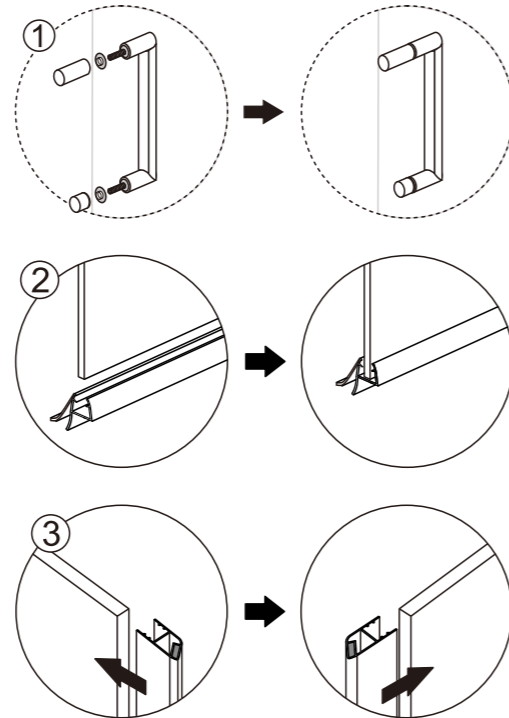
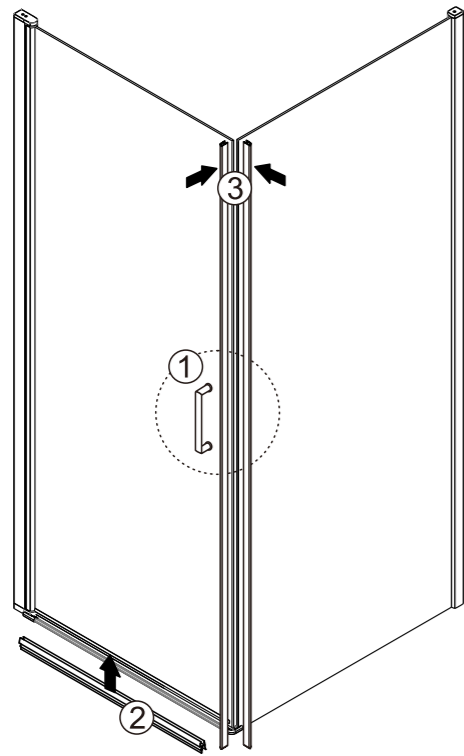
View from inside

## Step 6



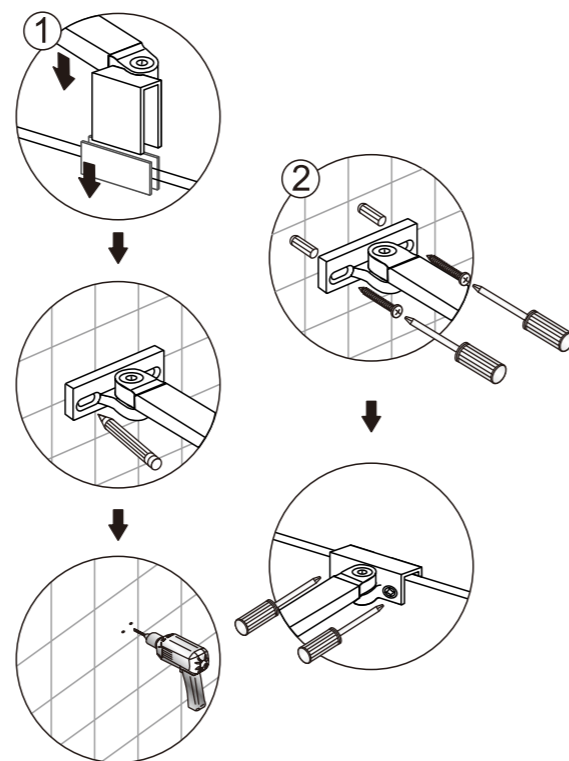
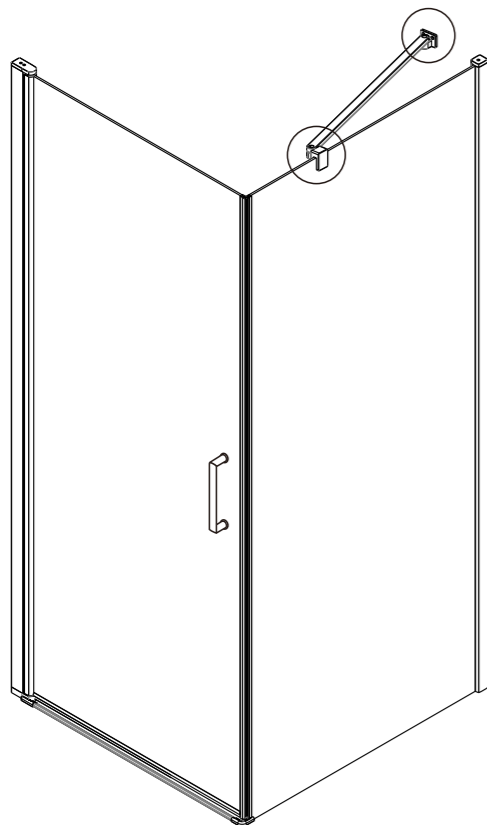
Allow 24 hours for silicone to dry before use.

### Step 3



⚠ Ensure wall profiles are plumb.  
Adjust enclosure to be square and level.  
Wheels should be adjusted to square the doors and ensure smooth running.

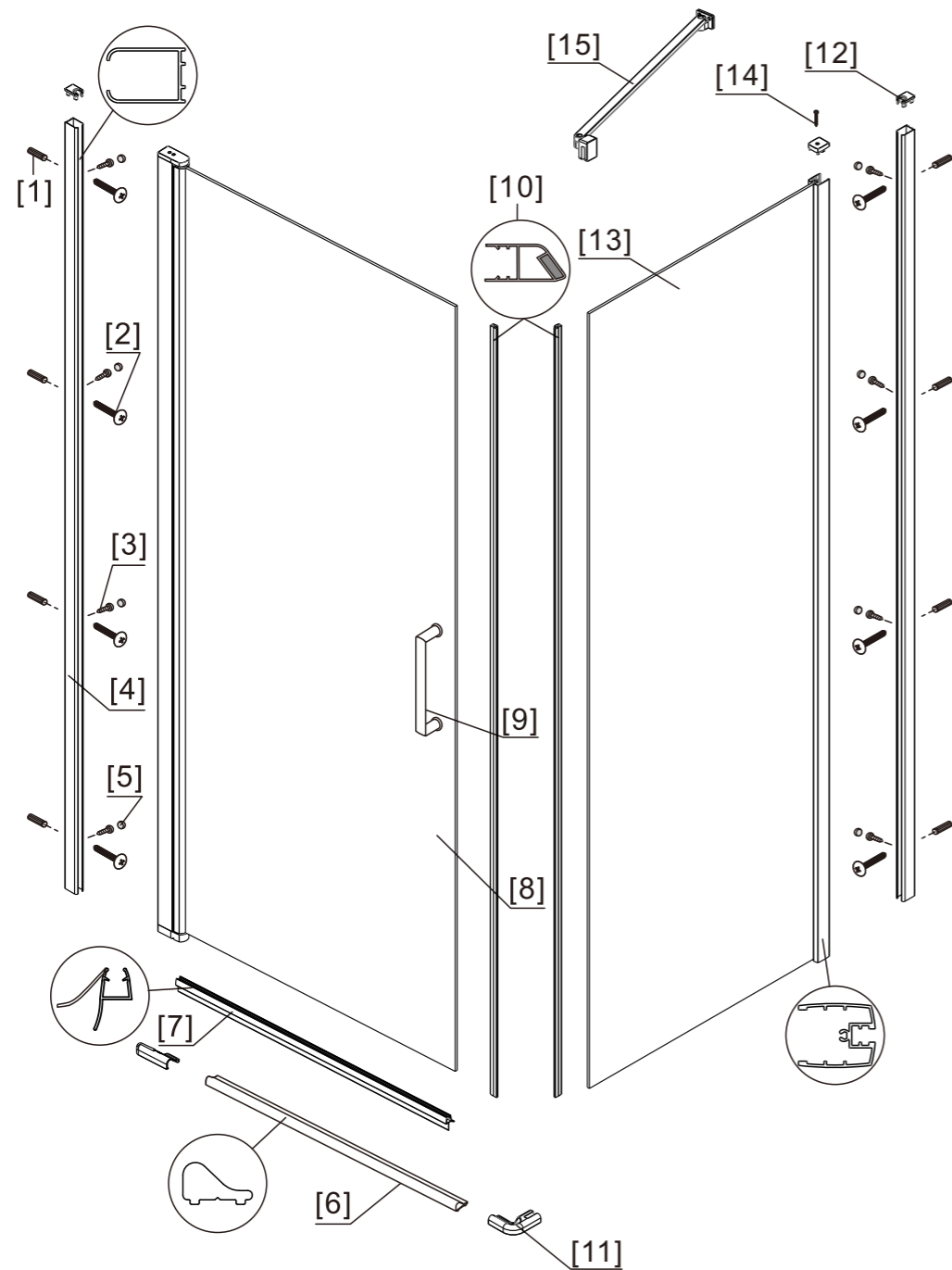
### Step 4



### ◆ Box Contents

[1] 1xInstallation Instruction.	➔	
[2] 8xWall Plugs. 8xFlat Screws M4x35.	➔	
[3] 8xScrews M4x8. 8xScrew Cover Caps.	➔	
[4] 1xHandle Set.	➔	
[5] 2xWall Posts.	➔	
[6] 2xMagnetic Seals.	➔	
[7] 1xAluminum Seal.	➔	
[8] 1xWater Deflector.	➔	
[9] 1xDoor Panel.	➔	
[10] 1xFixed Panel.	➔	
[11] 2xDoor Seal Clips 3xCover Caps 1xScrew M3x20.	➔	
[12] 1xBracket	➔	

## ◆ Assembly Drawing

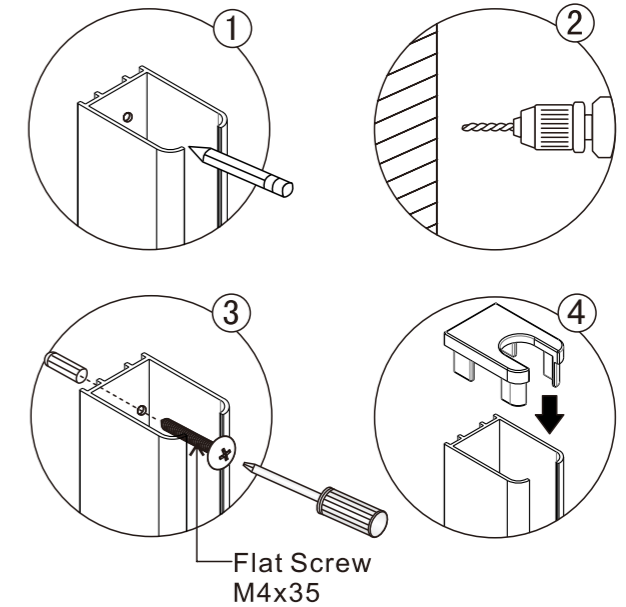
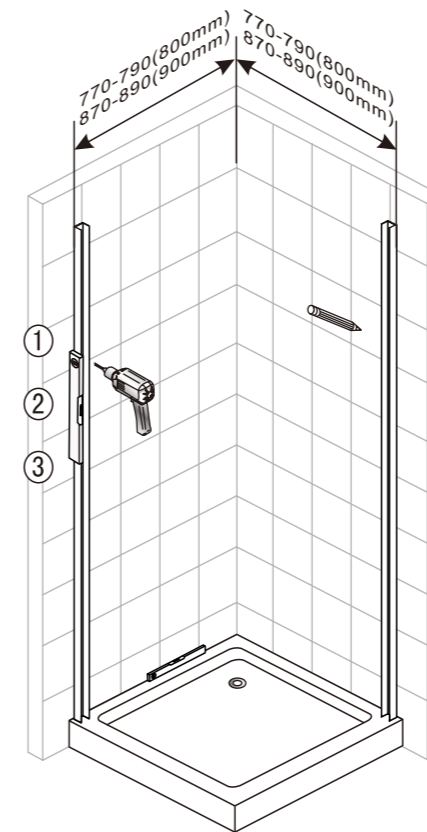


- [1] 8xWall Plugs
- [2] 8xScrews M4x35
- [3] 8xScrews M4x8
- [4] 2xWall Posts
- [5] 8xScrew Cover Caps
- [6] 1xAluminum Seal
- [7] 1xWater Deflector

- [8] 1xDoor Panel
- [9] 1xHandle Set
- [10] 2xMagnetic Seals
- [11] 2xDoor Seal Clips
- [12] 3xCover Caps
- [13] 1xFixed Panel
- [14] 1xScrew M3x20
- [15] 1xBracket

## ◆ Installation Steps

### Step 1



### Step 2

