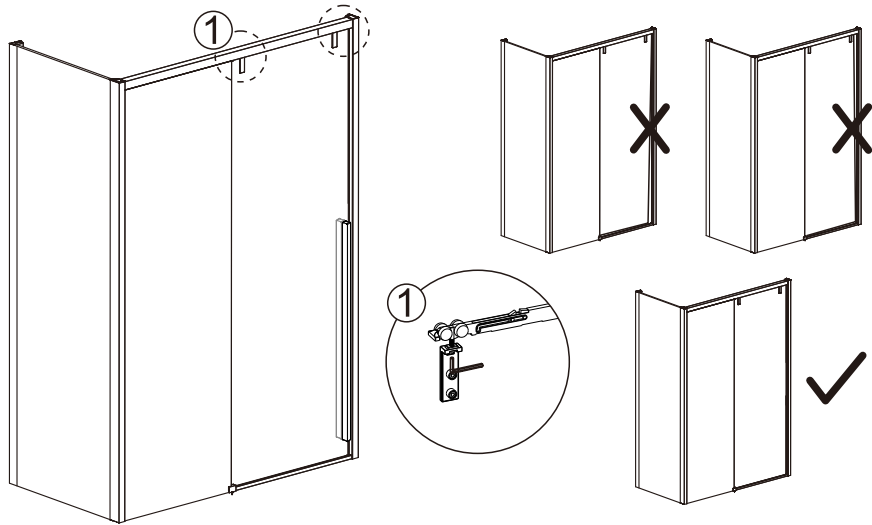
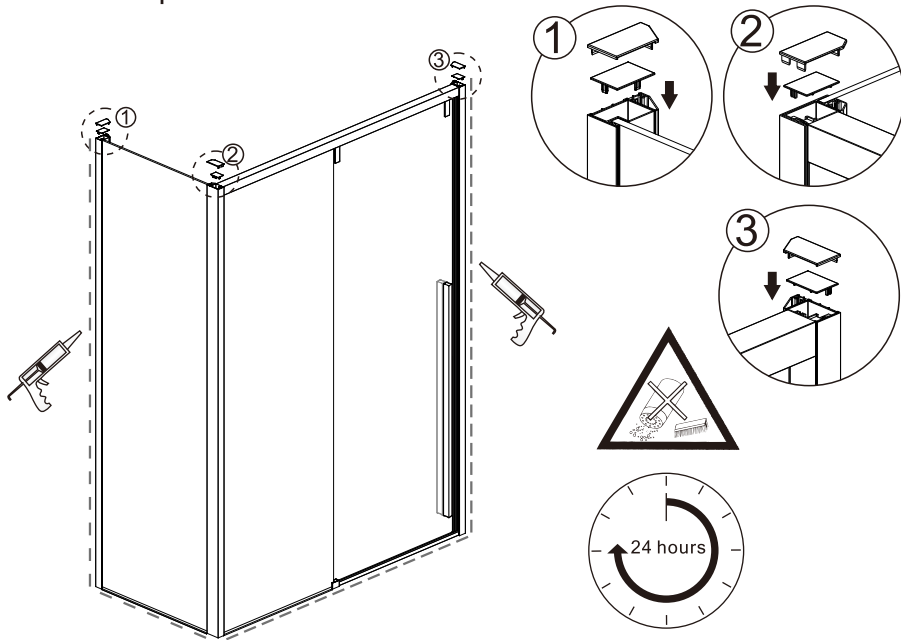


Step 7



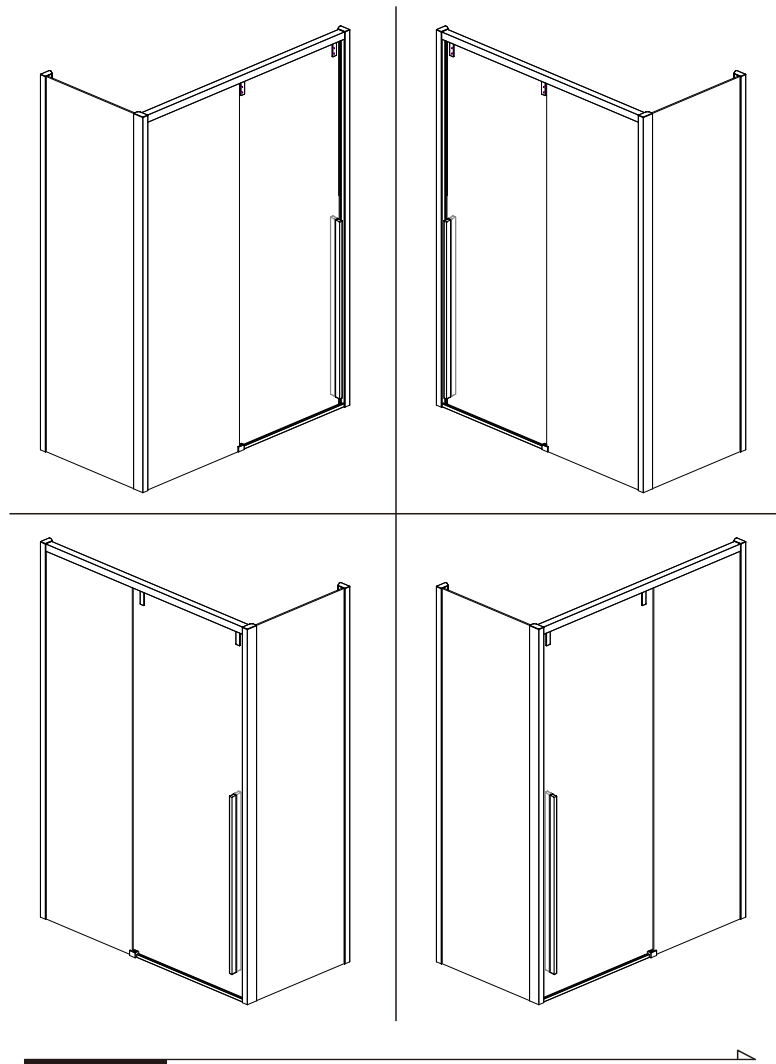
Step 8



Allow 24 hours for silicone to dry before use.

INSTALLATION INSTRUCTIONS

SW491391/SW491393/SW491394
SW491395/SW491396/SW491397



◆ General Information

Please inspect the product immediately upon receipt for transit damage, missing packs/parts or manufacturing fault. Damage reported later cannot be accepted. Please handle the product with care avoiding knocks and shock loading to all sides and edges of the glass.

Notes: Safety glass can not be re-worked.

Please read these instructions carefully before start of installation.

Special care should be taken when drilling walls to avoid hidden pipes or electrical cables.

Note: This product is heavy and may require two people to install.

Aftercare instructions

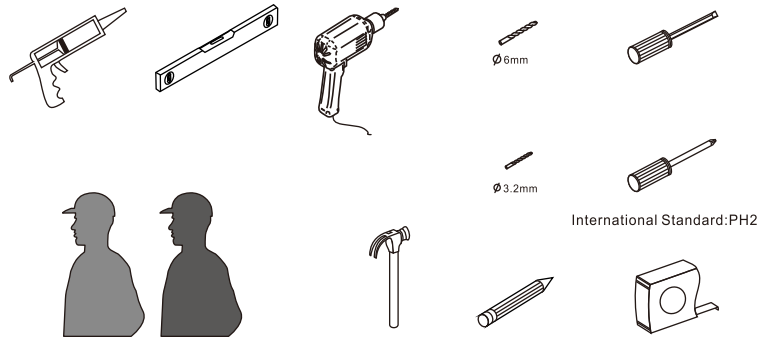
After use, your shower should be cleaned with soap and water. This is particularly important in hard water districts where insoluble lime salts may be deposited and allowed to build up.

Cleaners of a gritty or abrasive nature should not be used. Care should be taken to avoid contact with strong chemicals such as organic solvents and strippers.

Glass cleaners can be used but with caution, if in doubt contact the manufacturer of the cleaner in question.

Please keep these instructions for aftercare and customer service details.

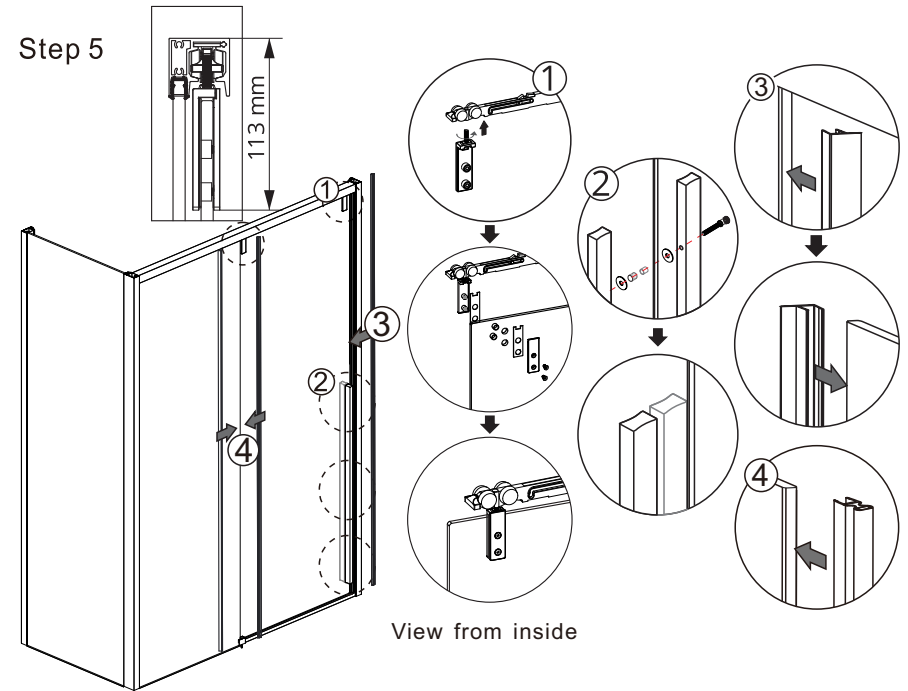
Tools Required



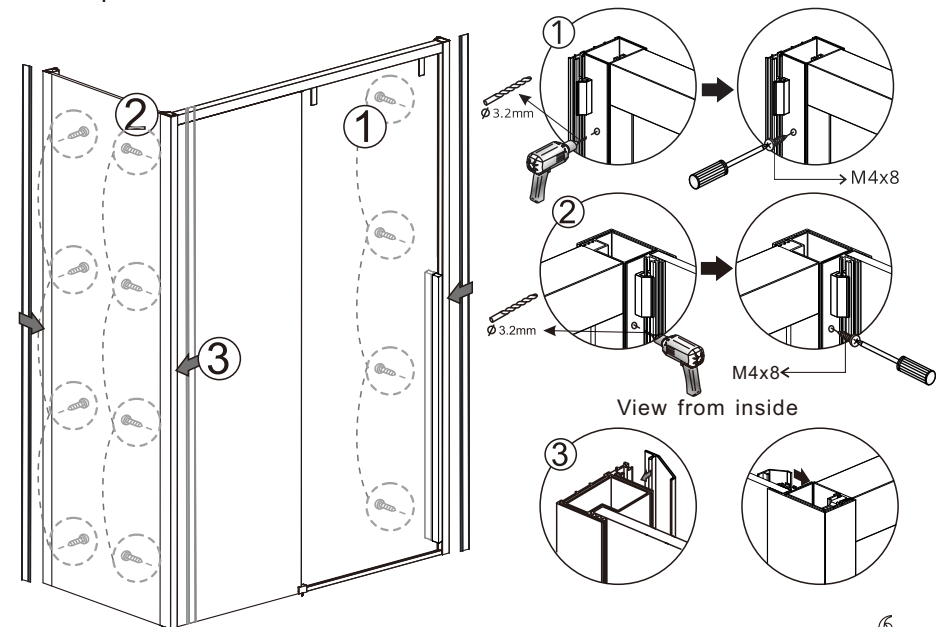
This product is heavy and may require two people to install.



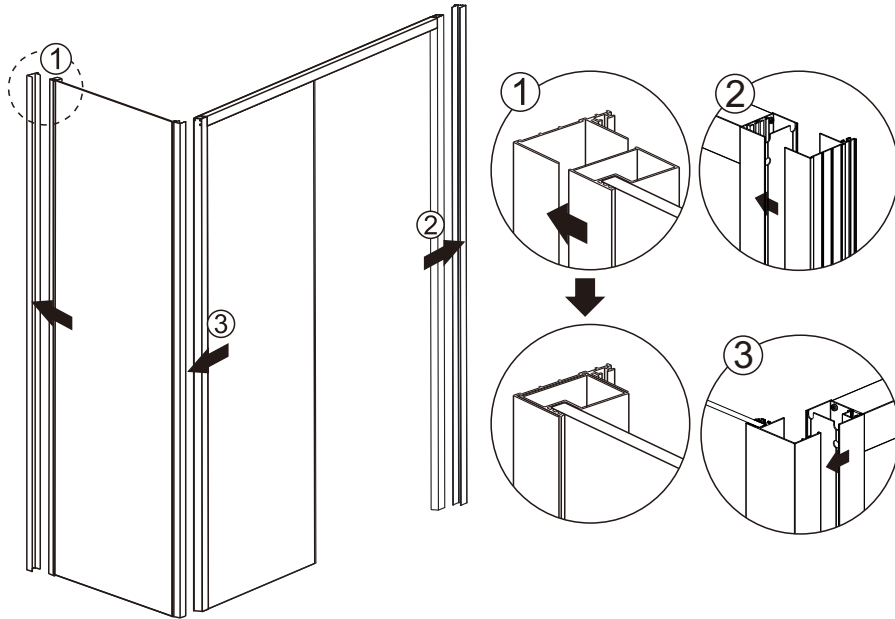
Step 5



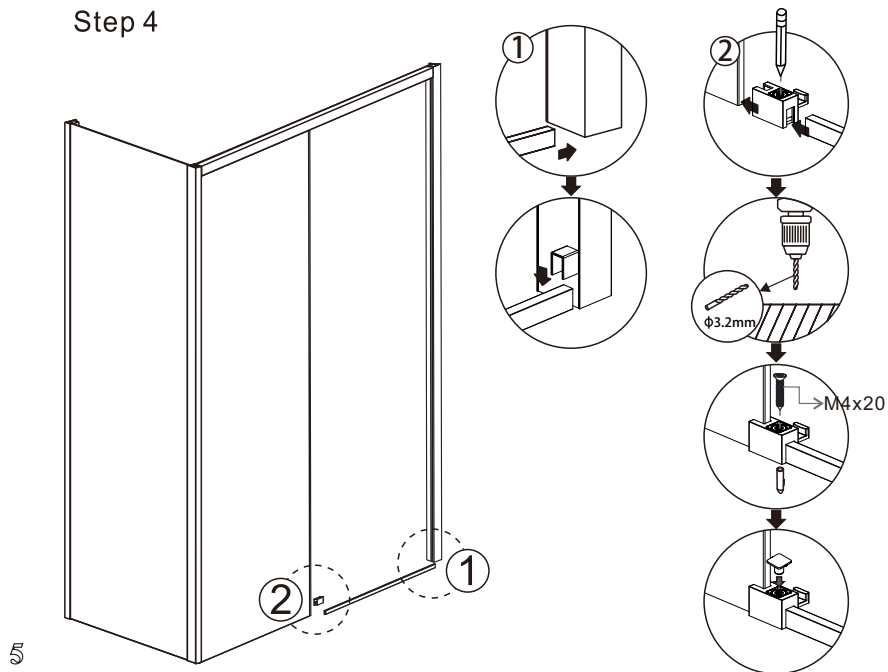
Step 6



Step 3



Step 4



◆ Box Contents:

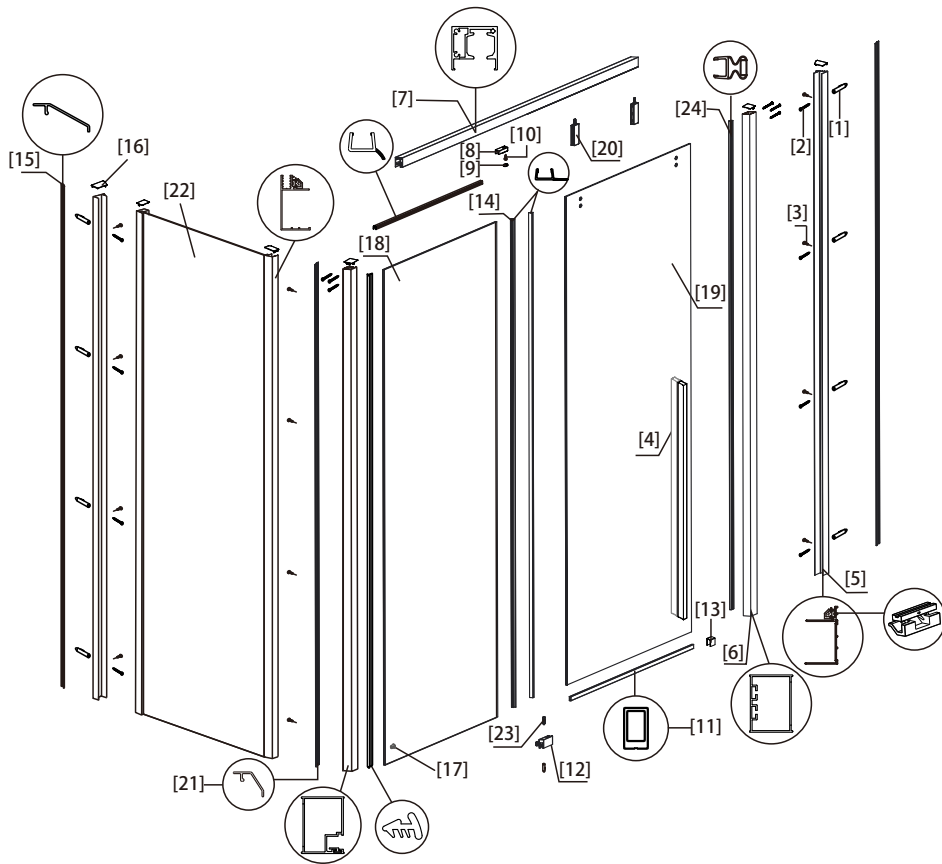
SW491381/SW491382/SW491383/SW491384/SW491385
SW491386/SW491387/SW491388/SW491389/SW491390:

[1] 1xHorizontal Rails. 6xScrews M4x35. 2xGlass Clamps. 2xCaps. 1xScrew M4x12.	➔	
[2] 1xInstallation Instruction.	➔	
[3] 1xHandle Set.	➔	
[4] 4xProfile Covers.	➔	
[5] 2xGlass Connect Clip.	➔	
[6] 8xWall Plugs. 8xScrews M4x35.	➔	
[7] 8xScrews M4x8.	➔	
[8] 4xWater Deflectors.	➔	
[9] 1xMagnetic Seal.	➔	
[10] 2xWall Posts. 2xProfile Connectors.	➔	
[11] 1xAluminum . 2xClip R&L. 1xWall Plug. 1xScrew M4x20.	➔	
[12] 2xPosts	➔	
[13] 1xFixed Panel .	➔	
[14] 1xDoor Panel.	➔	
[15] 1xCap.	➔	

SW491391/SW491393/SW491394/SW491395/SW491396/SW491397:

[1] 1xProfile Connector. 4xScrews M4x8. 3xProfile Covers.	➔	
[2] 1xSide Panel.	➔	

◆ Assembly Drawing

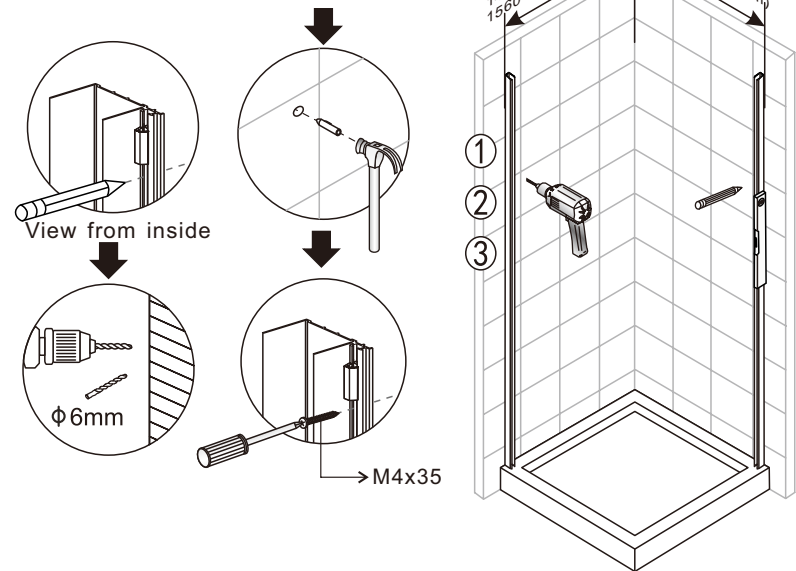


- [1] 9xWall Plugs.
- [2] 14xScrews ST4x35.
- [3] 12xScrews ST4x8.
- [4] 1xHandle Set.
- [5] 2xWall Post.
- [6] 2xPost.
- [7] 1x Horizontal Rail .
- [8] 2xGlass Clamps.
- [9] 2xCaps.
- [10] 1xScrews ST4x12.
- [11] 1xAluminum.
- [12] 1xBottom Slider(L/R).

- [13] 1xAluminum Caps.
- [14] 4xWater Deflectors.
- [15] 2xProfile Connectors A.
- [16] 6xProfile Covers.
- [17] 1xCap.
- [18] 1xFixed panel.
- [19] 1xDoor Panel.
- [20] 2xGlass Connect Clip.
- [21] 1xProfile Connector B.
- [22] 1xSide Panel.
- [23] 1xScrew ST4x20.
- [24] 1xMagnetic Seal.

◆ Installation Steps:

Step 1



Step 2

