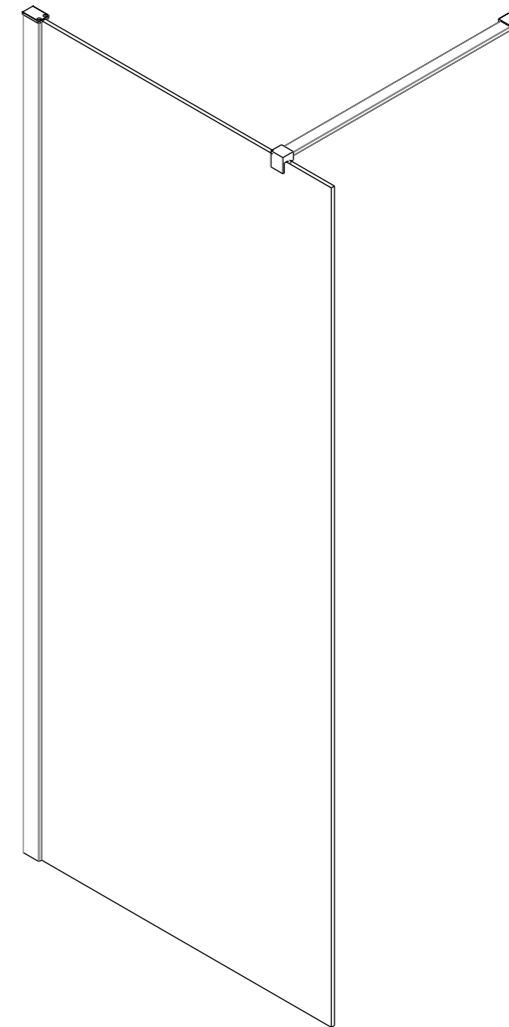


INSTALLATION INSTRUCTIONS

Walk in



Size: 600x2250mm
800x2250mm
900x2250mm
1000x2250mm



◆ General Information

Please inspect the product immediately upon receipt for transit damage, missing packs/parts or manufacturing fault. Damage reported later cannot be accepted. Please handle the product with care avoiding knocks and shock loading to all sides and edges of the glass.

Notes: Safety glass can not be re-worked.

Please read these instructions carefully before start of installation.

Special care should be taken when drilling walls to avoid hidden pipes or electrical cables.

Note: This product is heavy and may require two people to install.

Aftercare instructions

After use, your shower should be cleaned with soap and water. This is particularly important in hard water districts where insoluble lime salts may be deposited and allowed to build up.

Cleaners of a gritty or abrasive nature should not be used. Care should be taken to avoid contact with strong chemicals such as organic solvents and strippers.

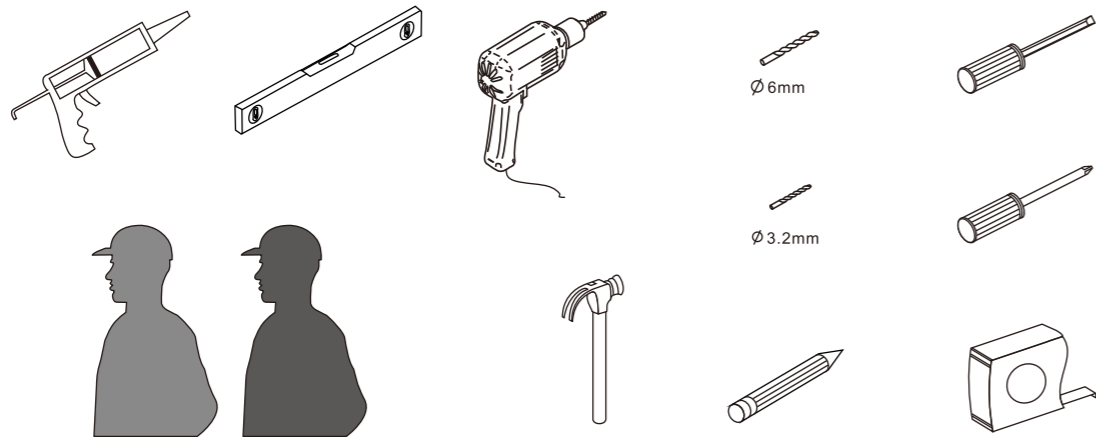
Glass cleaners can be used but with caution, if in doubt contact the manufacturer of the cleaner in question.

Please keep these instructions for aftercare and customer service details.

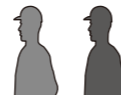
IMPORTANT :

1. Please ensure that the side of the glass panel coated with easy clean treatment (logo side) is positioned on the showering side.
 2. Please ensure that the sides of the glass panel with frost treatment are positioned facing outwards on non-showering side.
- To prevent damage and protect treatments, please use cleaners with PH value between 6.5-9 only

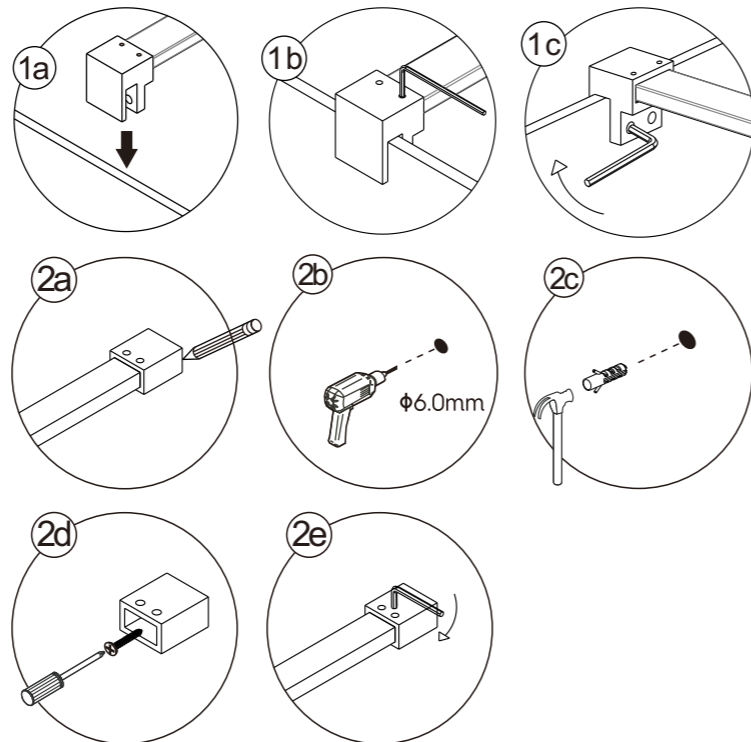
Tools Required



This product is heavy and may require two people to install.

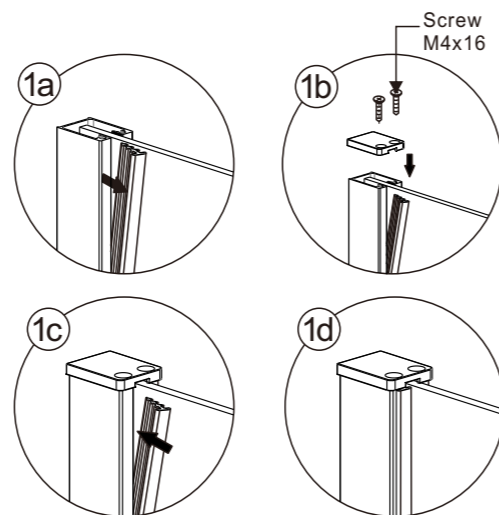
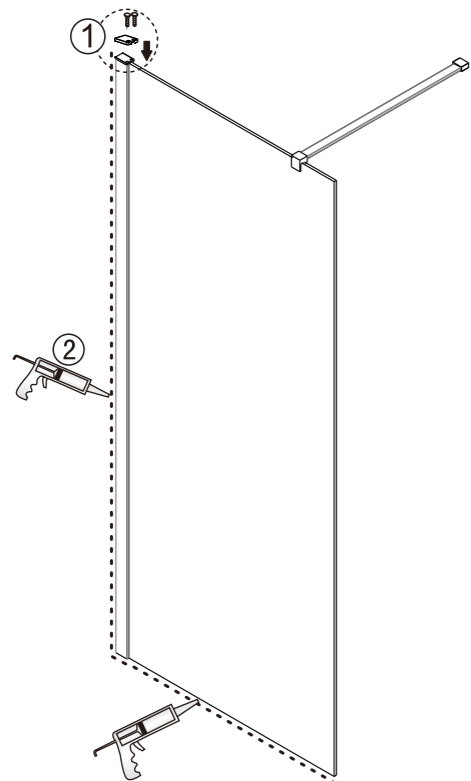


Step 3



⚠ Ensure wall profiles are plumb.
Adjust enclosure to be square and level.

Step 4

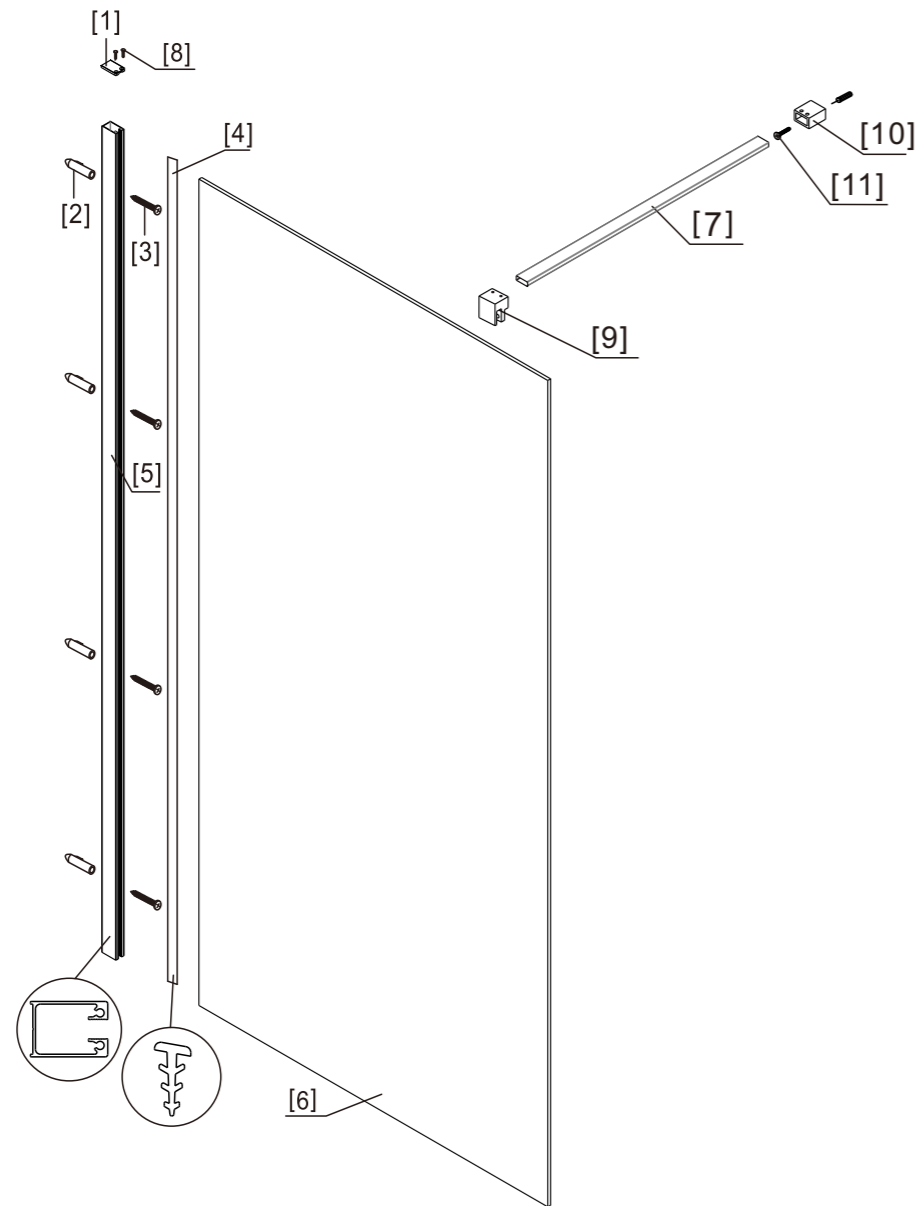


Allow 24 hours for silicone to dry before use.

◆ Box Contents

[1] 1xInstallation Instruction.	➔	
[2] 4xWall Plugs. 4xScrews M4x30.	➔	
[3] 1xWater Deflector.	➔	
[4] 1xProfile Cover Cap. 2xScrew M4x16	➔	
[5] 1xBracket. 1xBar Fastener. 1xWall Connect Clip. 1xWall Plug. 1xScrew M4x35.	➔	
[6] 1xWall Post.	➔	
[7] 1xFixed Panel.	➔	

◆ Assembly Drawing

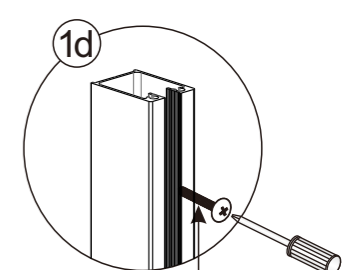
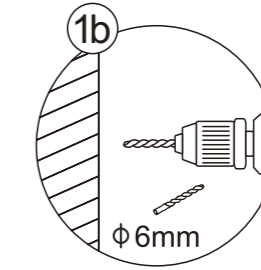
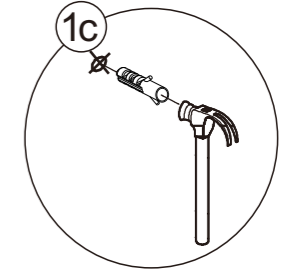
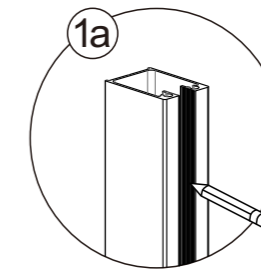
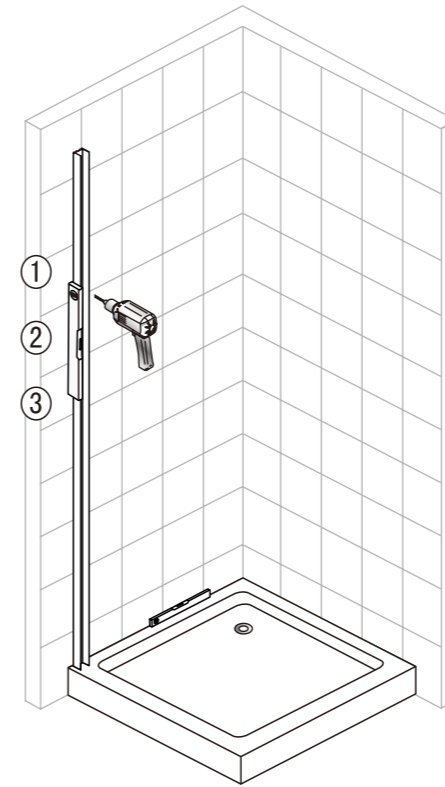


- [1] 1xProfile Cover Cap
- [2] 5xWall Plugs
- [3] 4xScrews M4x30
- [4] 1xWater Deflector
- [5] 1xWall Post

- [6] 1xFixed Panel
- [7] 1xBracket
- [8] 2xScrews M4x16
- [9] 1xBar Fastener
- [10] 1xWall Connect Clip
- [11] 1xScrew M4x35

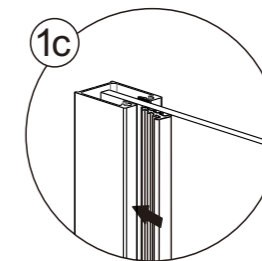
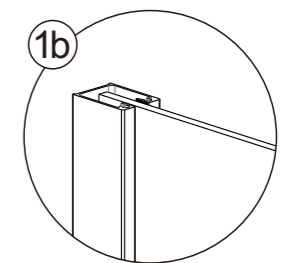
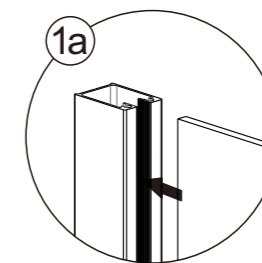
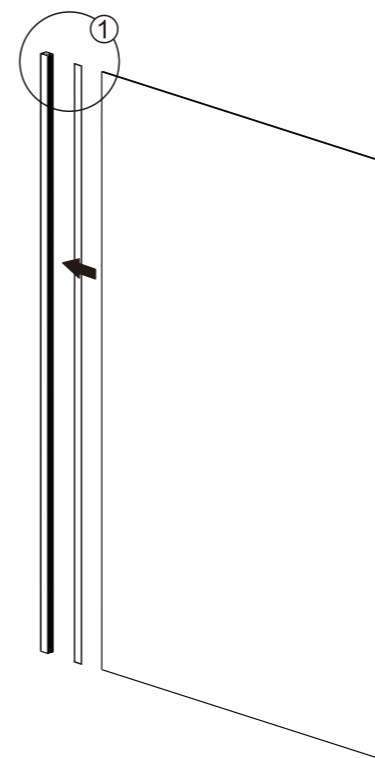
◆ Installation Steps

Step 1



Screw M4x30

Step 2



View from inside