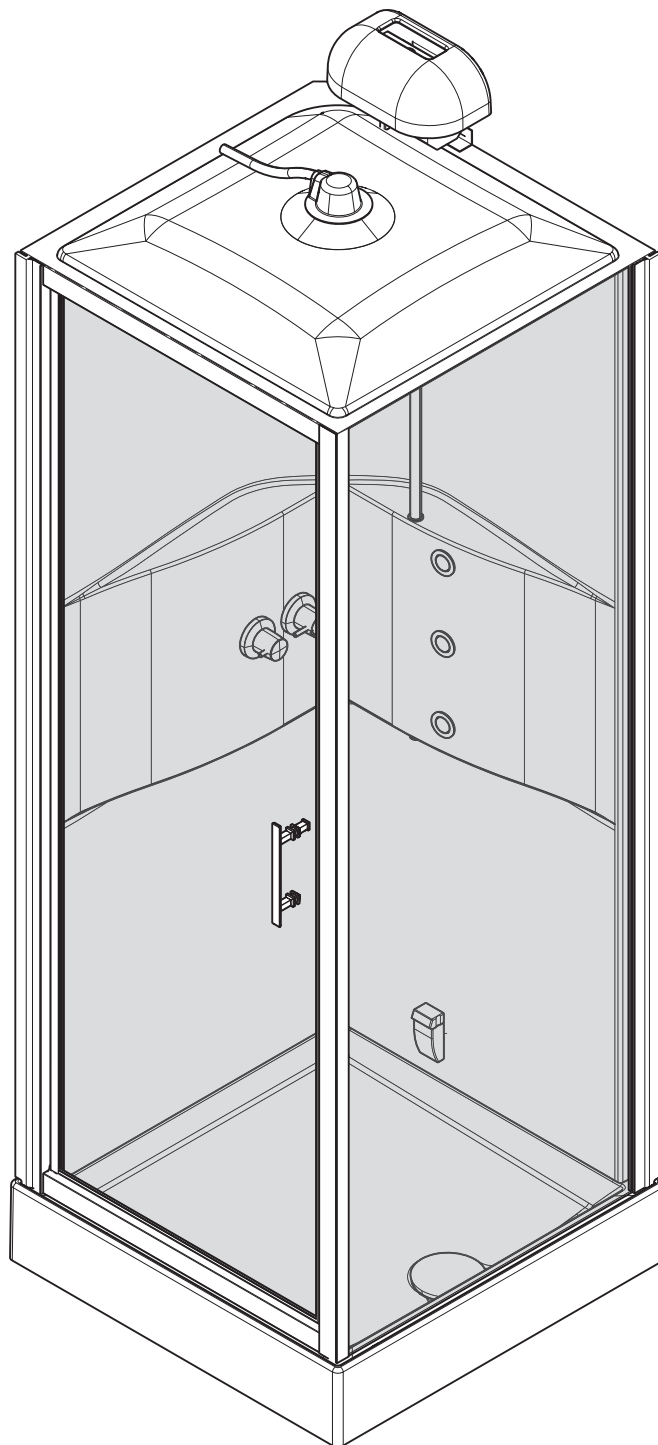
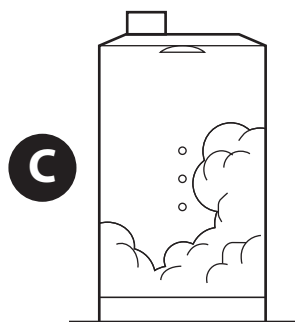
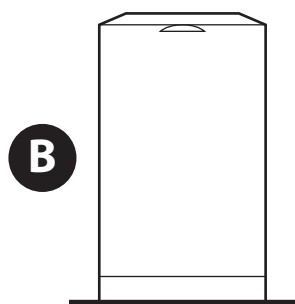
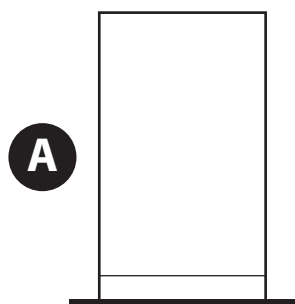
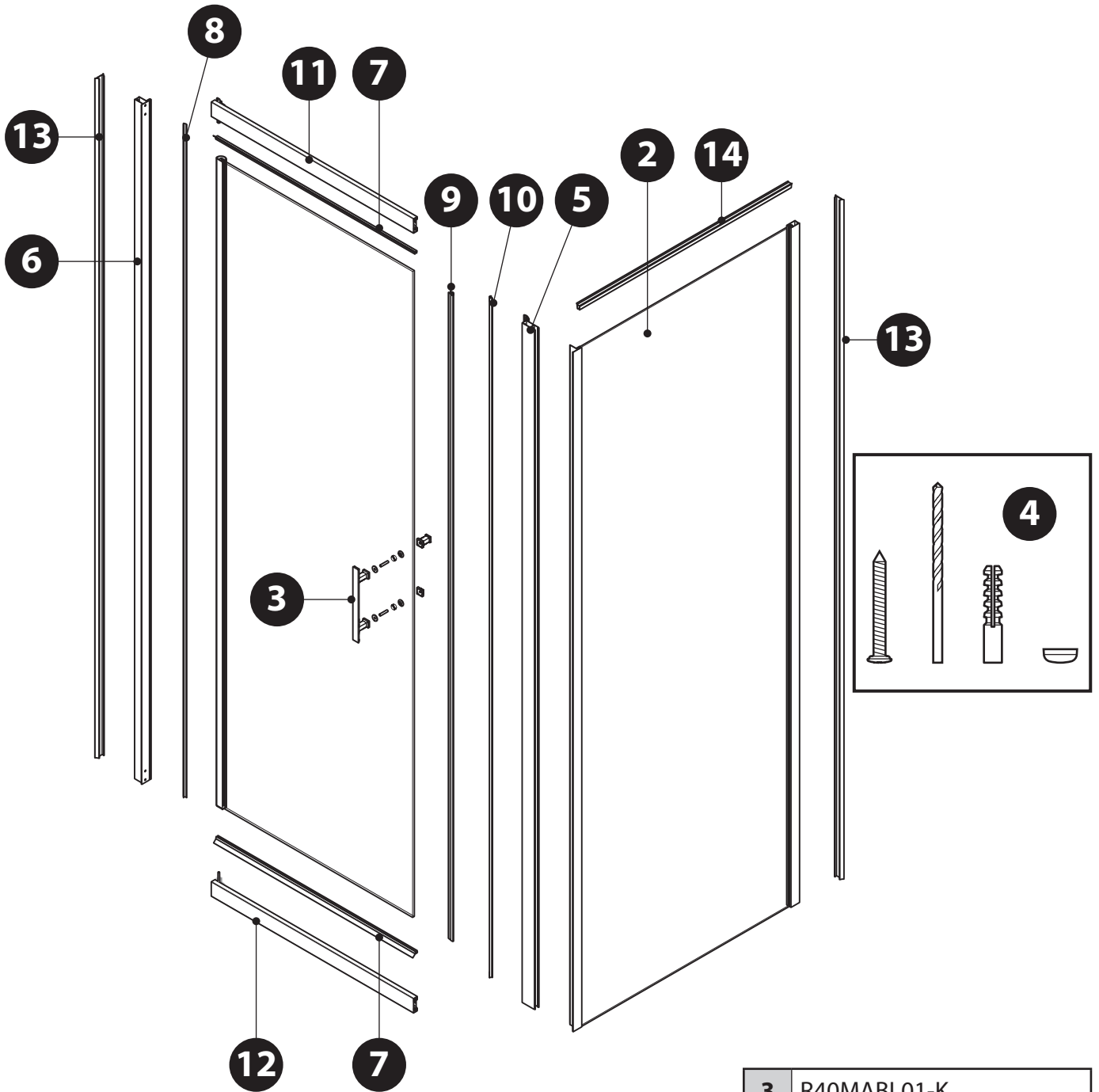


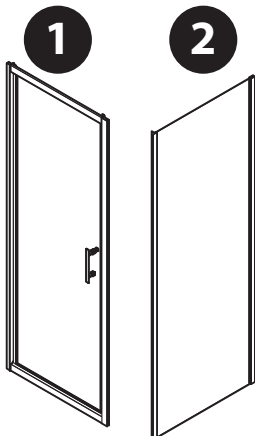
LILOU G 90



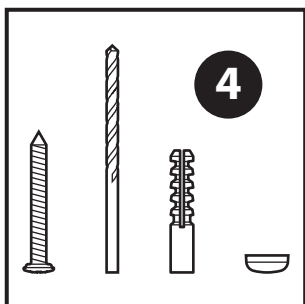
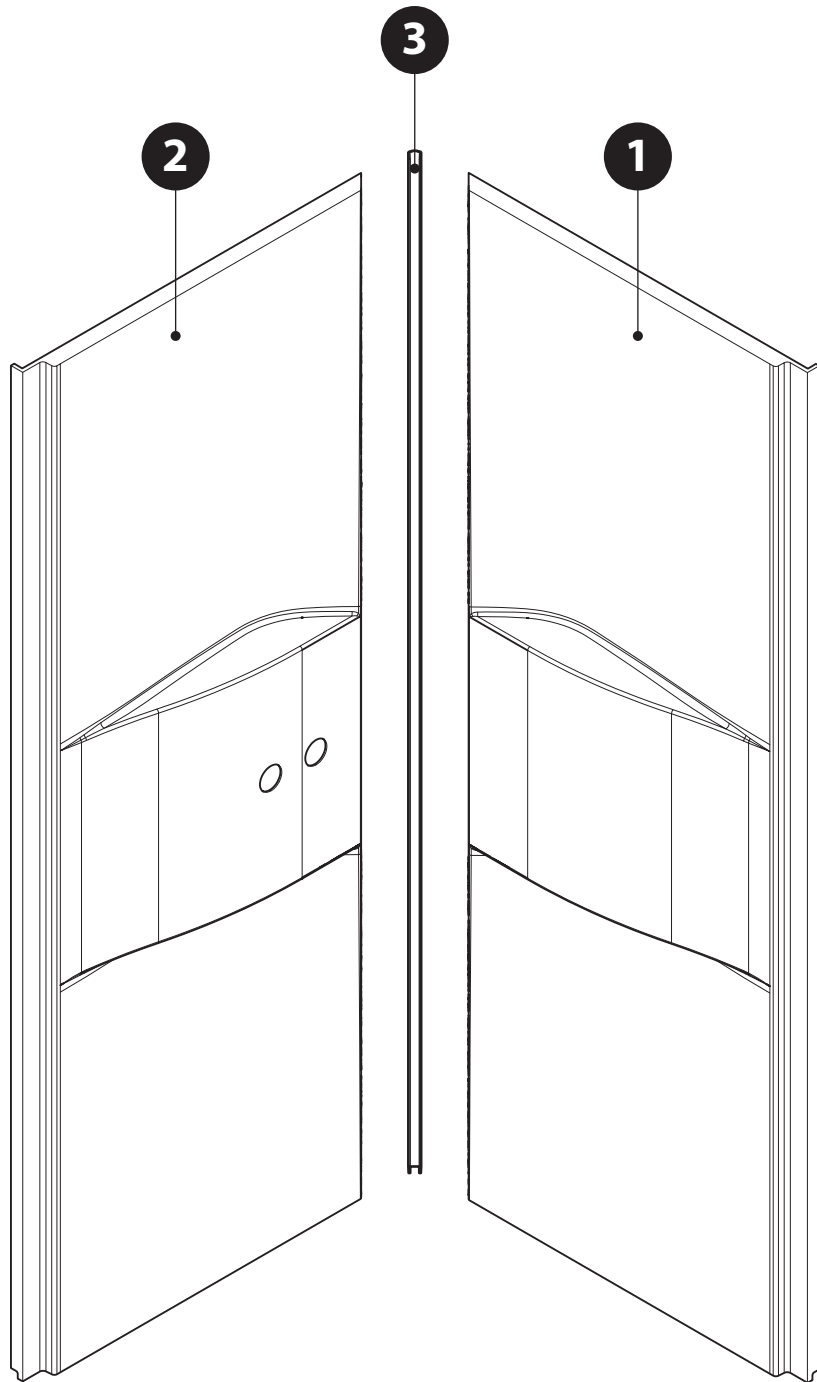
A	CLLGF90T-1AA
B	CLLGF90TF-1AA
C	CLLGF90T1N-1AA



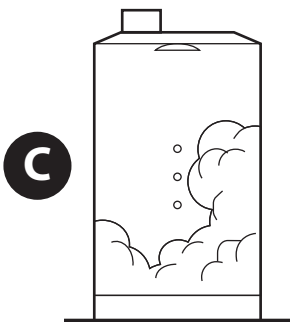
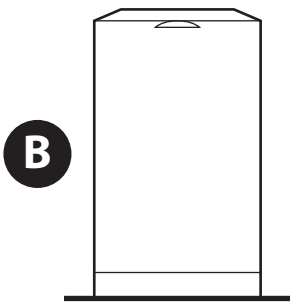
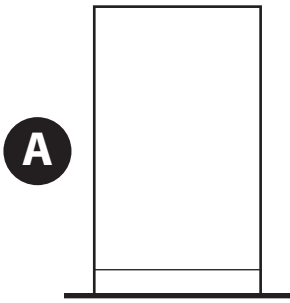
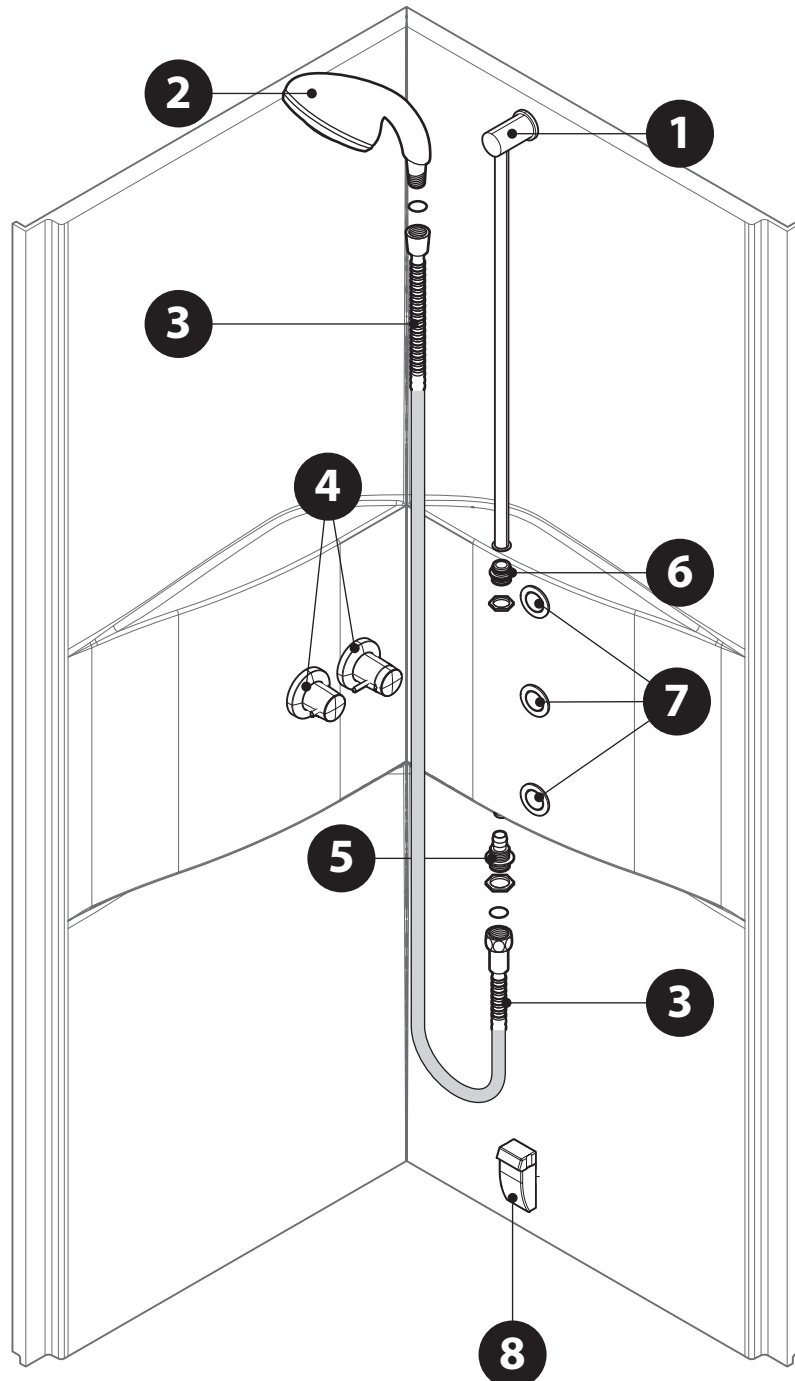
1	BCLLCG90-1A
2	BCLLCF90-1A



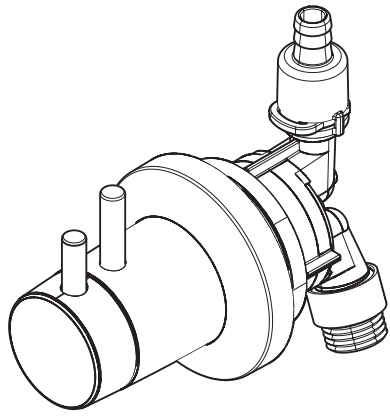
3	R40MABL01-K
4	R01BCLLG1-A
4	R01BCLLF1-A
5	P02BH2GST-A
6	P03BCLLGST-A
7	R51BH2G1-TR
8	R50BH2G1-TR
9	R10ABH2G1-TR
10	R10BHG1-A
11	P11BCLLG90-A
12	P10BCLLG90-A
13	R50MADR1151-A
14	R53BCLLF1-TR

A**B****C****4**

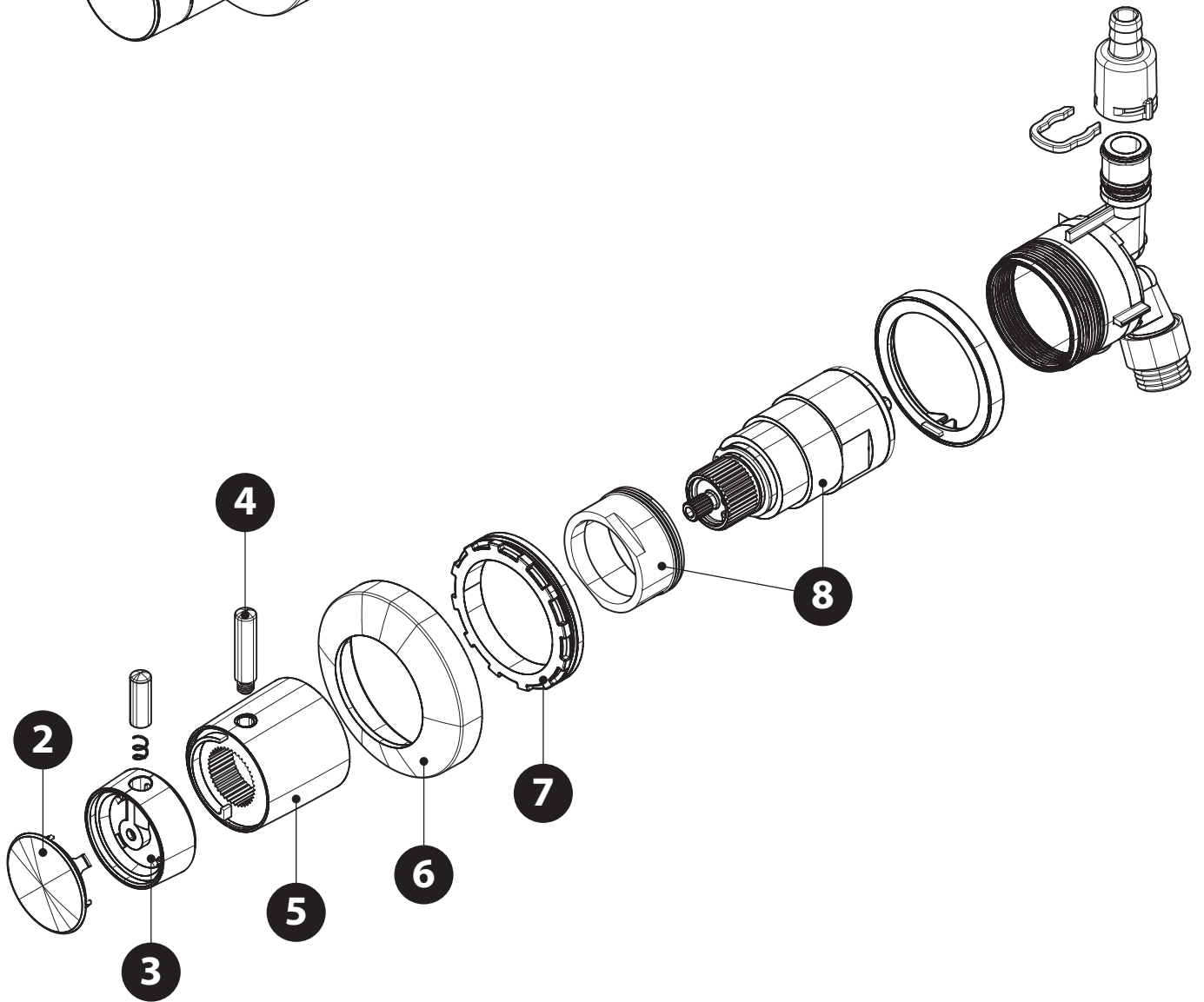
1	CENCLLA90-A	A	B
1	CENCLLA90F-A	C	
2	LATCLL90T-A	A	
2	LATCLL90TF-A	B	
2	LATCLL90T1F-A	C	
3	GUA50CLL-TR		
4	R01CLL1		



1	SALISCLL-K	
2	DOCVMV-K	
3	FLESSAT150-K	
4	RUBTPLA10-K	A
4	MISCTPLA2F10-K	B
4	MISCTPLA3F10-K	C
5	R90DOCCLL-K	
6	R90SALISCLL-K	
7	BOCJETCLL-K	
8	R90GACA2	



1 RUBTPLA10-K **A**

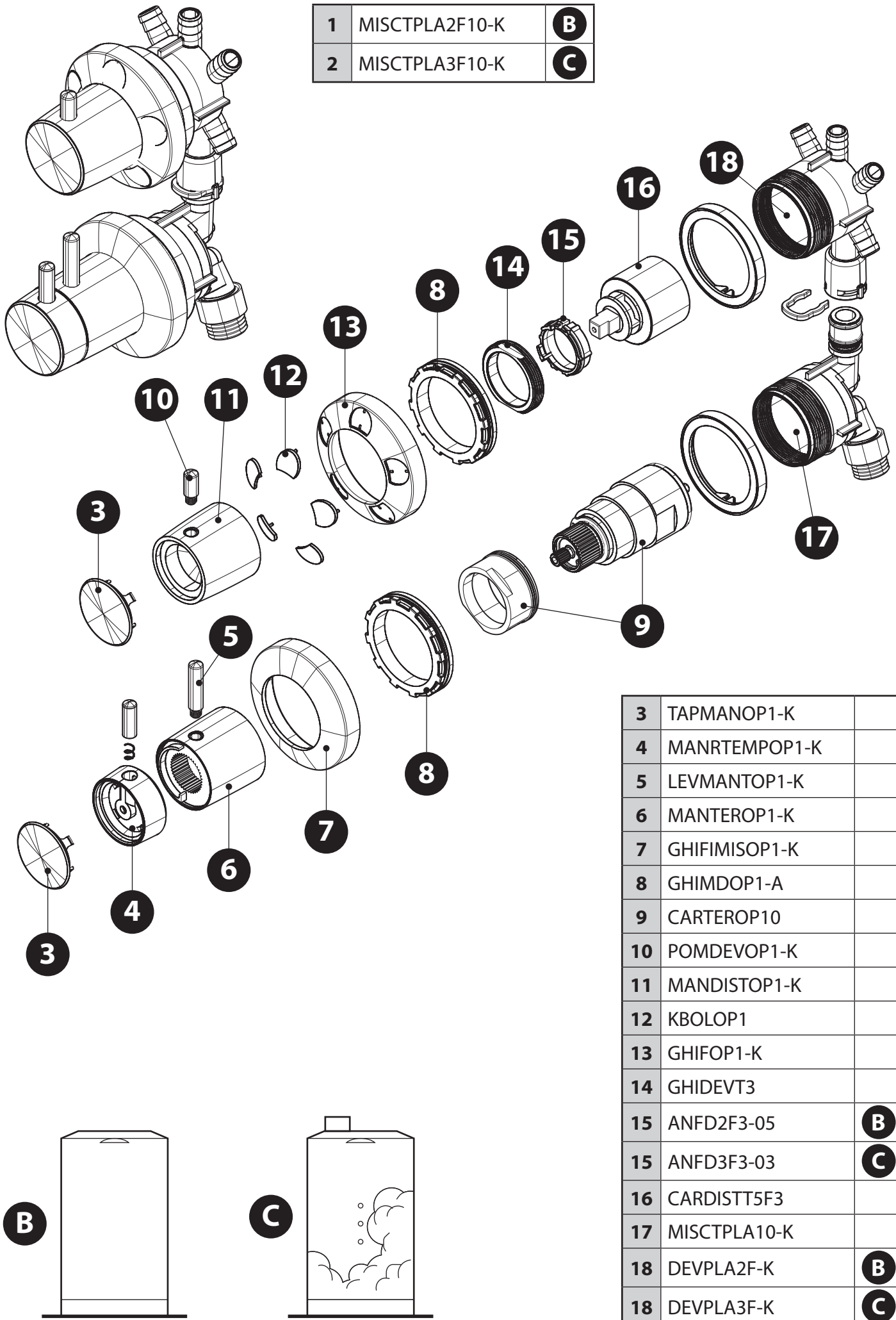


A

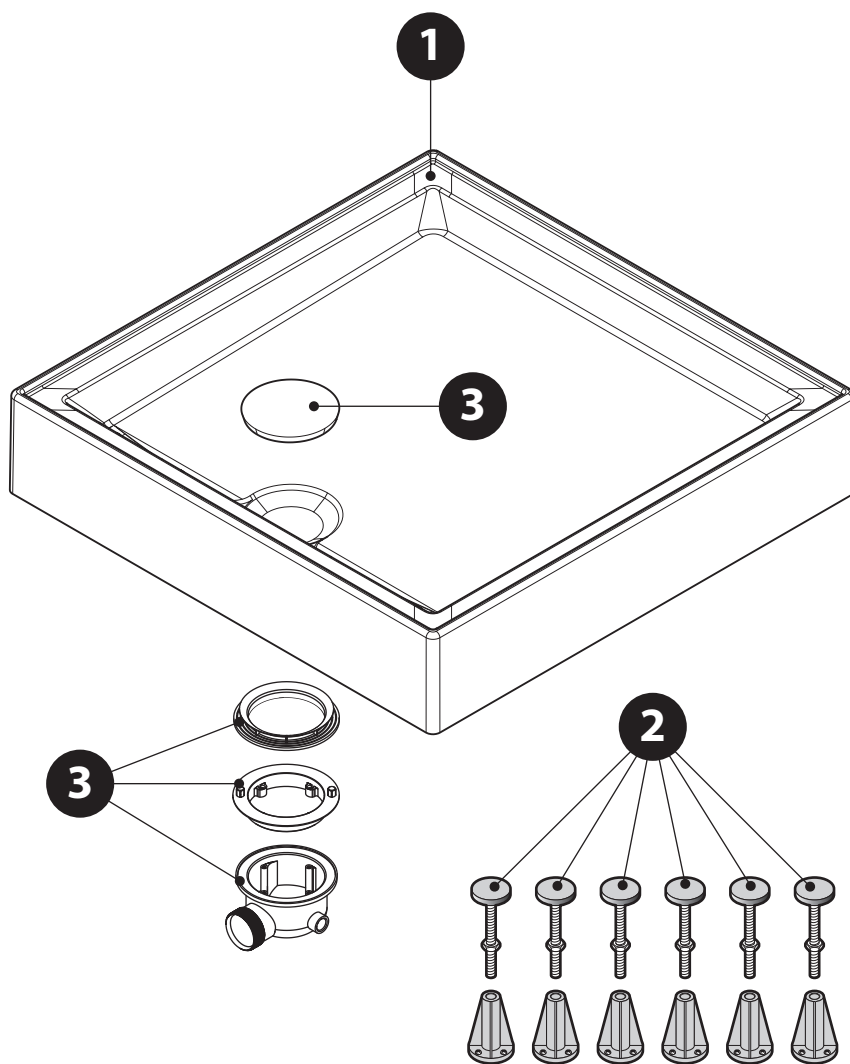


2	TAPMANOP1-K
3	MANRTEPOP1-K
4	LEVMANOP1-K
5	MANTEROP1-K
6	GHIFIMISOP1-K
7	GHIMDOP1-A
8	CARTEROP10

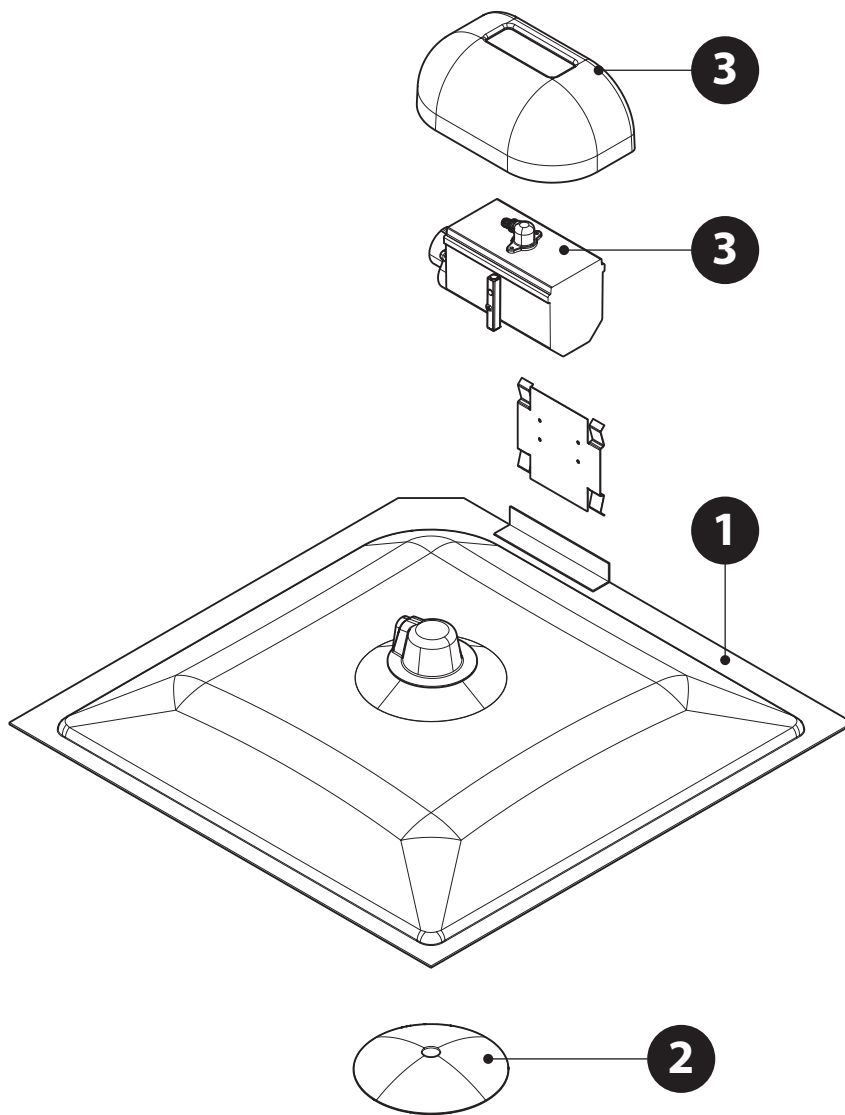
1	MISCTPLA2F10-K	B
2	MISCTPLA3F10-K	C



3	TAPMANOP1-K	
4	MANRTEPO1-K	
5	LEVMA1TOP1-K	
6	MANTEROP1-K	
7	GHIFIMISOP1-K	
8	GHIMDOP1-A	
9	CARTEROP10	
10	POMDEVOP1-K	
11	MANDISTOP1-K	
12	KBOLOP1	
13	GHIFOP1-K	
14	GHIDEVT3	
15	ANFD2F3-05	B
15	ANFD3F3-03	C
16	CARDISTT5F3	
17	MISCTPLA10-K	
18	DEVPLA2F-K	B
18	DEVPLA3F-K	C



1	UOCQ90-30
2	R05PI10015KPH
3	PIL90PCAB-CR40

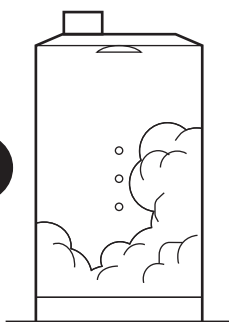


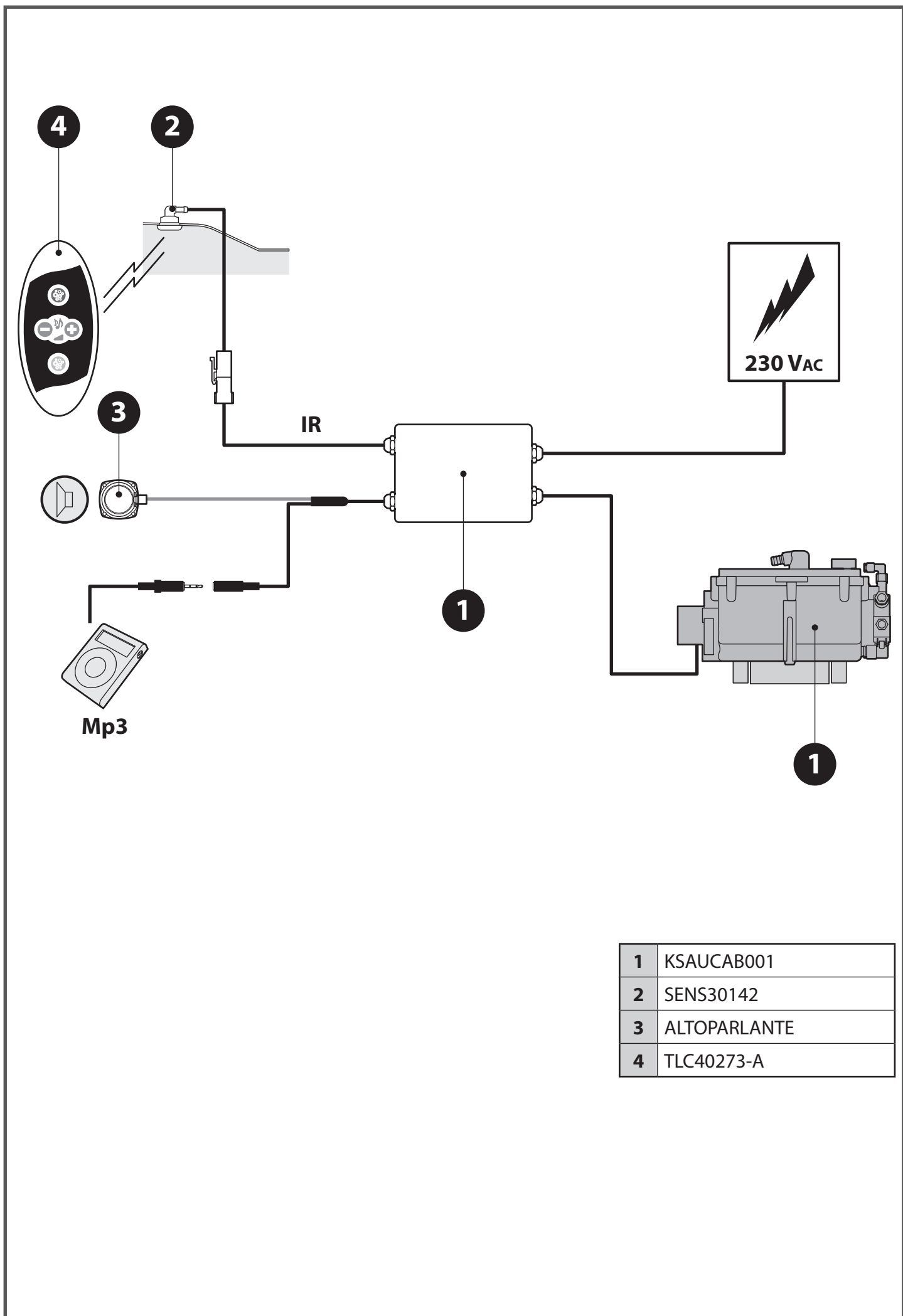
1	TCLLSOFQ90-D	B
1	TCLLSASQ90-D	C
2	SOFCLL-K	
3	KSAUCAB001	

B



C





1	KSAUCAB001
2	SENS30142
3	ALTOPARLANTE
4	TLC40273-A