

adema



INSTALLATION INSTRUCTIONS FOR IP44 ILLUMINATED MIRRORS



Before installing this product pay special attention to these instructions. It is recommended that this product is installed by a qualified electrician and current building regulations. These products can safely be fitted into Zone 2. See lighting regulations diagram.

1. Prior to commencing work isolate the power supply cable at the fuse box.
2. Check that there are no other concealed cables or pipe work in the intended installation area (check the entire area).
3. The mirror is mounted on the wall by means of two fixing screws.
4. Make sure that it is at the correct height and level. Using a suitable marker through the fixing holes mark the position of the holes on the wall.
5. Using the correct size drill bit for the wall fixing (please note that for certain wall types i.e. plasterboard walls, the wall fixings supplied are not recommended) drill holes in the marked locations. Place the rawl plugs into the holes. Feed the supply through the central rubber grommet, position the back plate and secure using the correct fixings (the rubber washers provided must be used to ensure no water can penetrate into the fitting).
6. Connect the supply cable to the connector block as shown in the wiring diagram. Ensure the conductors are fully inserted into the terminals and no loose wire strands are protruding. fully tighten the screws on the terminals making sure that the screw clamps onto the conductor and not the insulation.
7. Fix the mirror to the wall.
8. Ensure that the correct type and wattage bulb are always used. (see Luminaire for details).

Shelf fixing (selected models only).

To fix glass shelf to mirror attach the metal support arms to the bottom of the mirror frame using the screws provided. (the rubber washer supplied must be used to ensure that IP44 is maintained). Place the glass shelf and secure with the screws located underneath the metal support arm.

Cleaning Instructions

In order to maintain the quality finish of this product please do not use any abrasives or solvents when cleaning this product. Use only a damp cloth for cleaning this product.

Do not allow water to stand on any part of the mirror.

Please clean any spillage that may affect the quality of the finish as described above.

Heated De-mister Pad

This mirror comes with a demister pad, which heats the surface of the mirror above room temperature removing the mist on surface.

IR Sensor

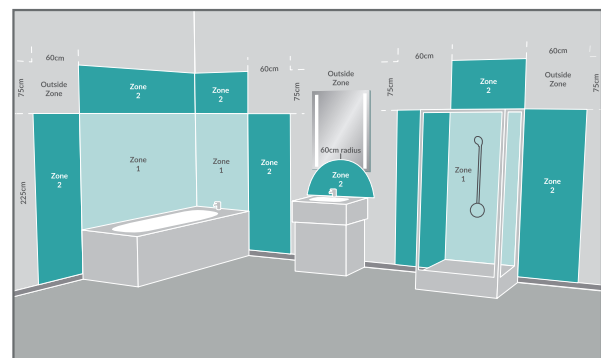
The IR sensor switch can be used to perform multiple functions:

Wave hands in front of sensor to change led color or turn lights on/off. The Demister is also controlled (turns On/Off) along with lights.

When the lights are on, placing hands in-front of sensor can change brightness of light.

Package content

- LED Backlit Mirror
- Screws
- Manual



Attention: installation and connection to electric wiring must be done by a professional electrician in compliance with local requirements for electrical installations.

Never modify the construction or add any parts which are not offered as spare parts or accessories by the manufacturer of the luminaire. Any unauthorized modification might result in weak mounting and risk that parts of the luminaire can fall down from the wall.

Warning: Always switch off the Electrical supply at the mains during installation and maintenance.

Note: Install the mirror at least 15 cm. away from the basin.

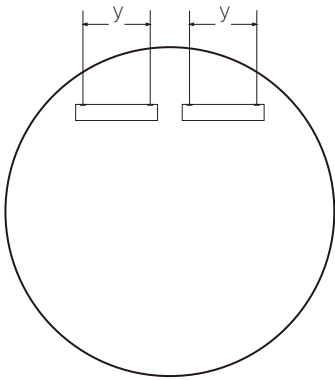


SANICLASS

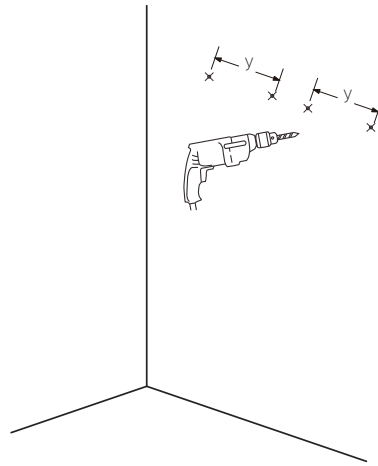
adema

Installation Steps

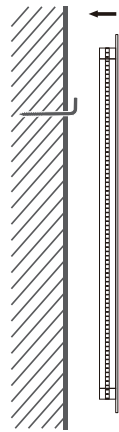
1



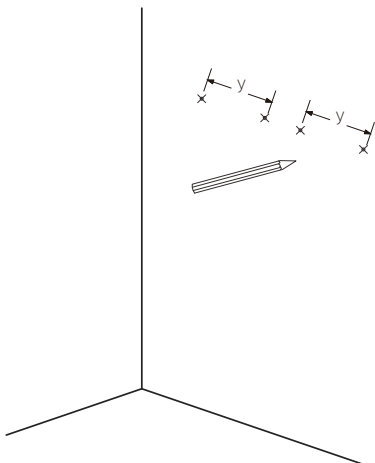
3



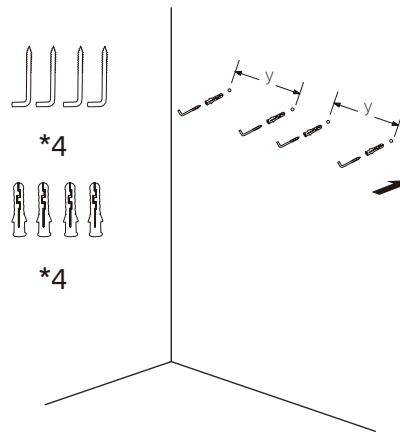
5



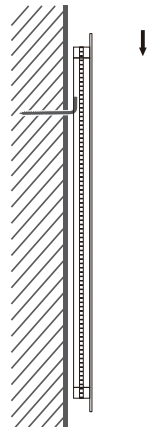
2

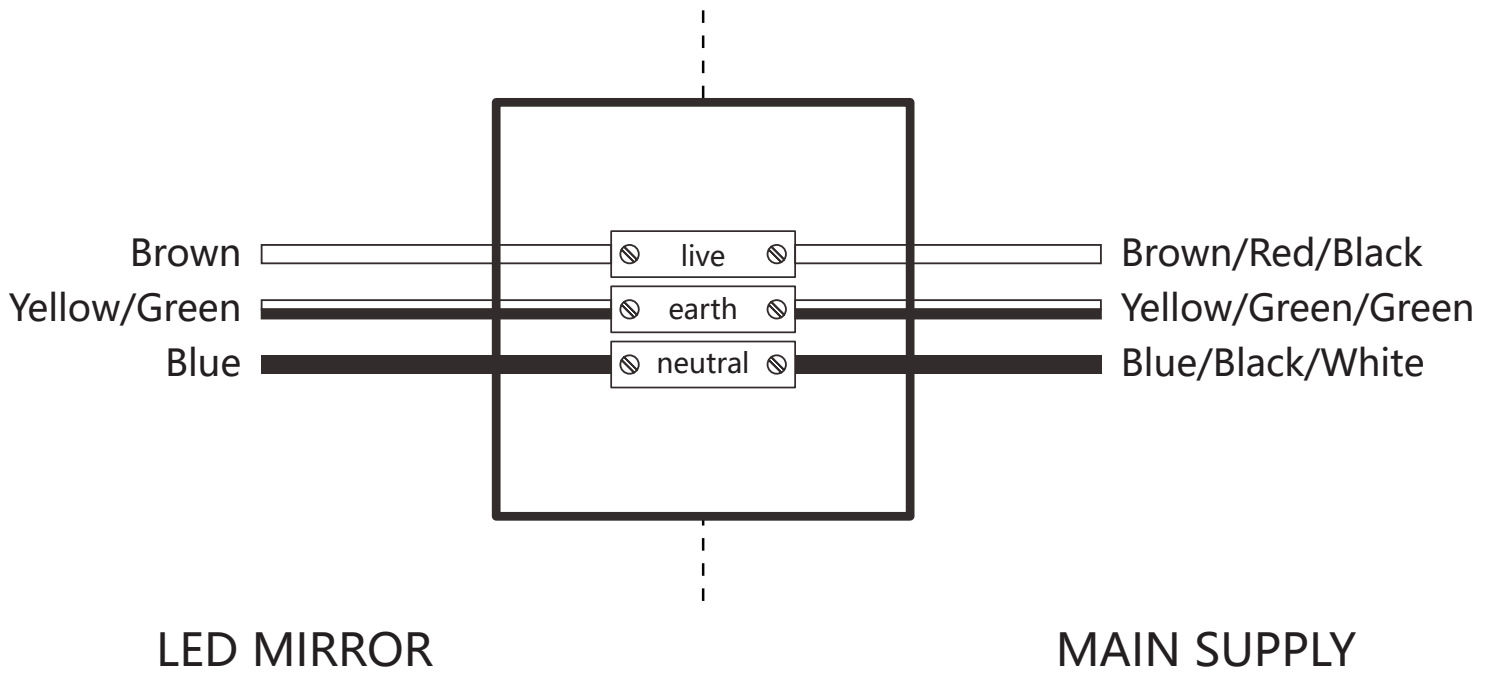


4



6





Special Care

Care Should be exercised when cleaning this product. Although its finish is extremely durable, it can be damaged by harsh abrasives and cleaning pads. To clean, use a light, non-abrasive cleaning solution or cleaning polish.