

## Toilet seat Subway

**Model** 9955C1 Subway toilet seat with Soft Closing and Quick Release, incl. 9224 17 61 hinge

**Product Description** Subway toilet seat in Wrap Over design made of colour ingrained duroplast with hinges in stainless steel and plastic

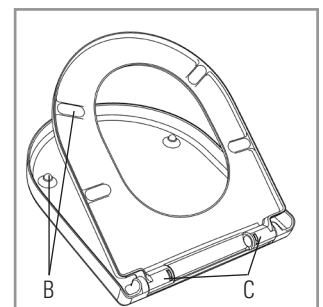
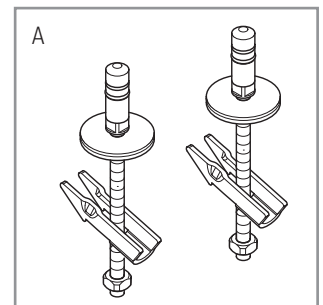
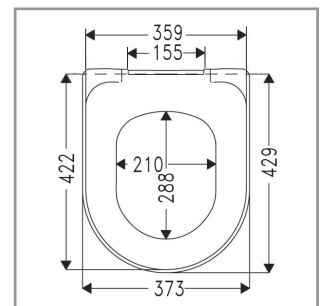
- incl. hinge with Quick Release in stainless steel and nylon
- centre distance: 155 mm
- load of ring seat: 250 kg
- 3 years guarantee

**Colour Programme** 01 White  
09 Pergamon

**Hinge Finish** 61 Stainless steel

**Spare Parts** A) 9224 17 61 Hinge with Quick Release in stainless steel and nylon  
B) 9224 22 01 Buffer for seat and cover  
C) 9224 24 00 Soft Closing packet

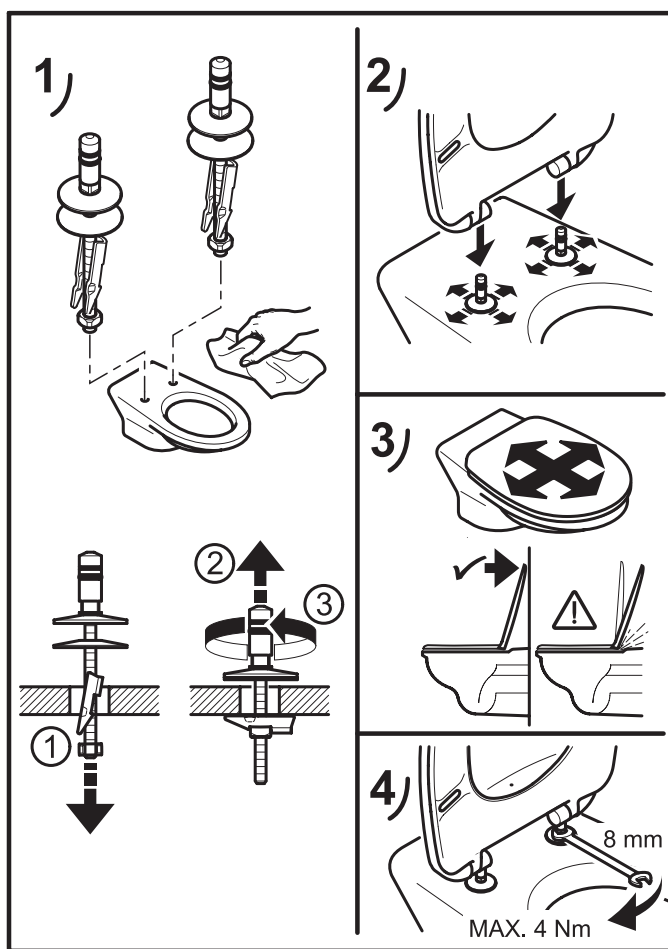
**Cleaning Instructions** Use a mild soap solution. Seat and hinges should not be left damp, but be dried with a soft cloth. When using abrasive, corrosive or chlorine based cleaners for the bowl, avoid contact with seat and hinges as it may lead to damages or flash rust. Therefore, when cleaning the bowl, make sure that seat and cover are in an upright position until all the cleaner has been flushed away.



Villeroy & Boch

1748

## Installation Instructions



## Material Description

**TOILET SEAT:** The material is colour ingrained duroplast (UF A 10 = urea formaldehyde) that contains no environmentally hazardous substances. The body consists of approx. 50% urea ( $\text{NH}_2\text{CONH}_2$ ), approx. 25% cellulose and approx. 25% formaldehyde (HCHO), as well as small amounts of various fillers and additives.

**BUFFERS:** PE (Polyethylene)

**DAMPER KIT:** Hydraulic damper with stainless steel damper casing and plastic parts

**DAMPER LIQUID:** Anti-friction liquid

**HINGES:** Stainless steel and nylon

## Guarantee

The guarantee includes faults or defects in the material of our products within a period of 3 years. Products subject to minor technical modifications and design deviations E. & O.E.