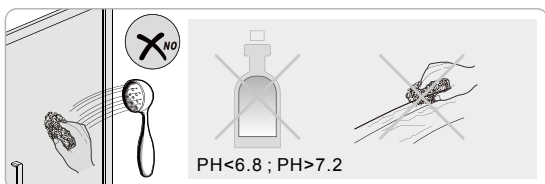
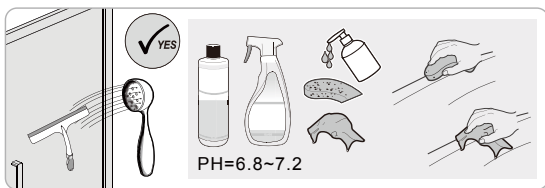
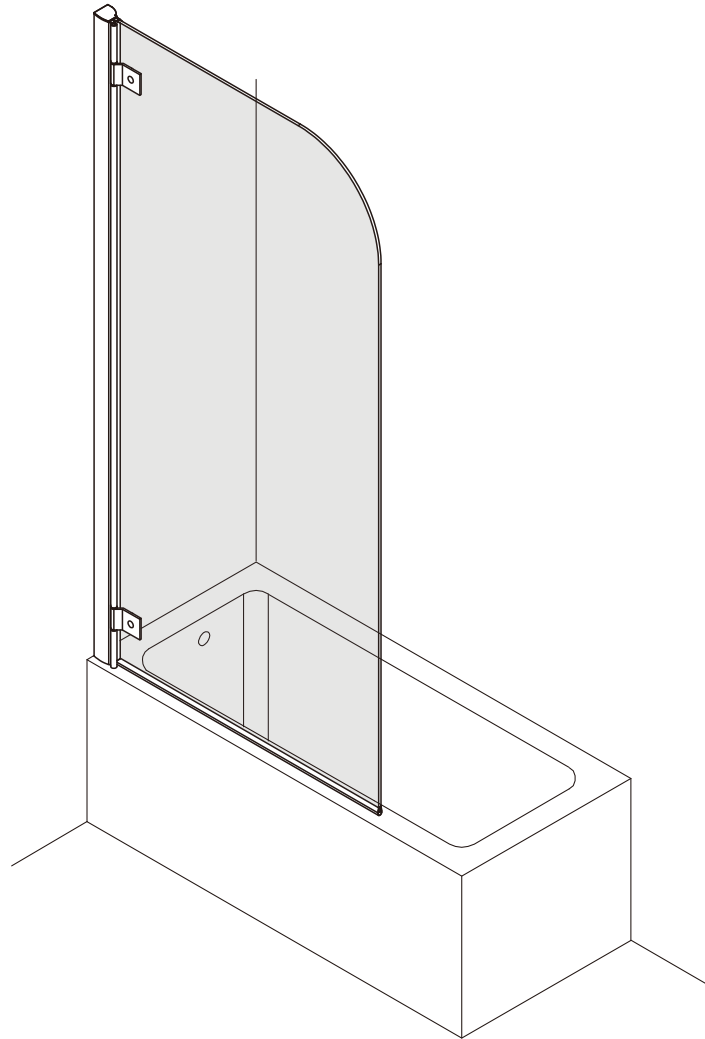


Kai 6 SINGLE CURVED BATH SCREEN

IMPORTANT

BEFORE STARTING THE INSTALLATION ENSURE ALL THE DOOR SIZE MEASUREMENTS CORRESPOND WITH THE INSTALLATION AREA INCLUDING THE FINISHED TILED/PANELLED WALLS. RETURNS DUE TO INCORRECT SIZING WILL NOT BE ACCEPTED.

KLBSSC0650
KLBSSC0875



INSTALLATION INSTRUCTIONS

crosswater[®]
SHOWERING

IMPORTANT - Please read before installation

Please read these instructions carefully before starting installation and keep in a safe place for future reference.

Check the contents of the pack carefully before installation. Crosswater will not be held responsible for any de-fit / re-fit costs where faulty product has been fitted.

If any fault is found with materials or workmanship, it must be reported immediately to the manufacturer. Remedial action will be taken, based on information received, on condition that:

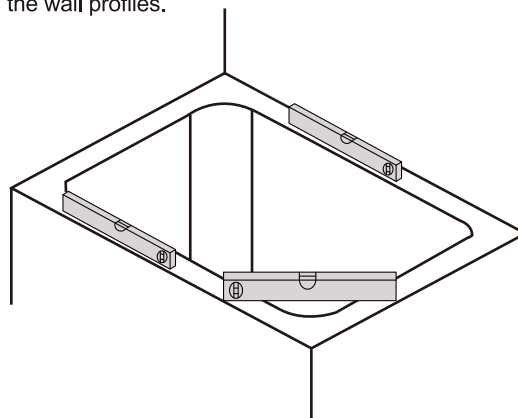
1. Full details are supplied to the manufacturer;
2. The enclosure has not been modified or tampered with;
3. The manufacturer is informed of any damage/shortages prior to installation.

We do not accept responsibility for any problems that may occur through incorrect installation.

The success of the installation and operation of any shower enclosure is, of course, dependant on the squareness, alignment and construction of the walls to which fixing is to be carried out.

VERY IMPORTANT

You must complete all tiling and grouting, and the bathtub **MUST** be level and fully sealed to the tiles before installation. If you do not fit the enclosure onto a tiled surface, or seal the tiles to the bathtub before installation, water may soak into the wall behind the wall profiles.



INSTALLATION - Advice and safety

The installation instructions are based on typical use and conditions.

All doors are designed to open outwards only.

These hints have been prepared for your guidance, you must exercise due care at all times.

For Health and Safety 2 people must carry out the installation of this enclosure.

Handle glass with care. Although the glass supplied is toughened safety glass (EN12150), impacts can damage both the glass and the frame.

Warning!

Please check for any hidden pipes or cables before drilling holes in the wall.

When using power tools always follow the manufacturers user instructions.

If the Framework is sealed to the tray on the inside, any water that may get into the framework will not be able to drain back into the tray, this may cause the enclosure to leak

Leave the silicone sealant to dry for 24 hours before using the enclosure

CARE AND CLEANING

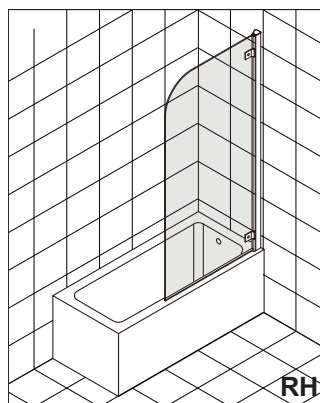
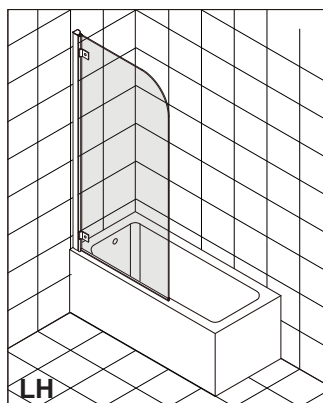
Do not use solvents or abrasive material or chemicals to clean the enclosure.

Only clean using soapy water and a soft cloth, rinse thoroughly afterwards.

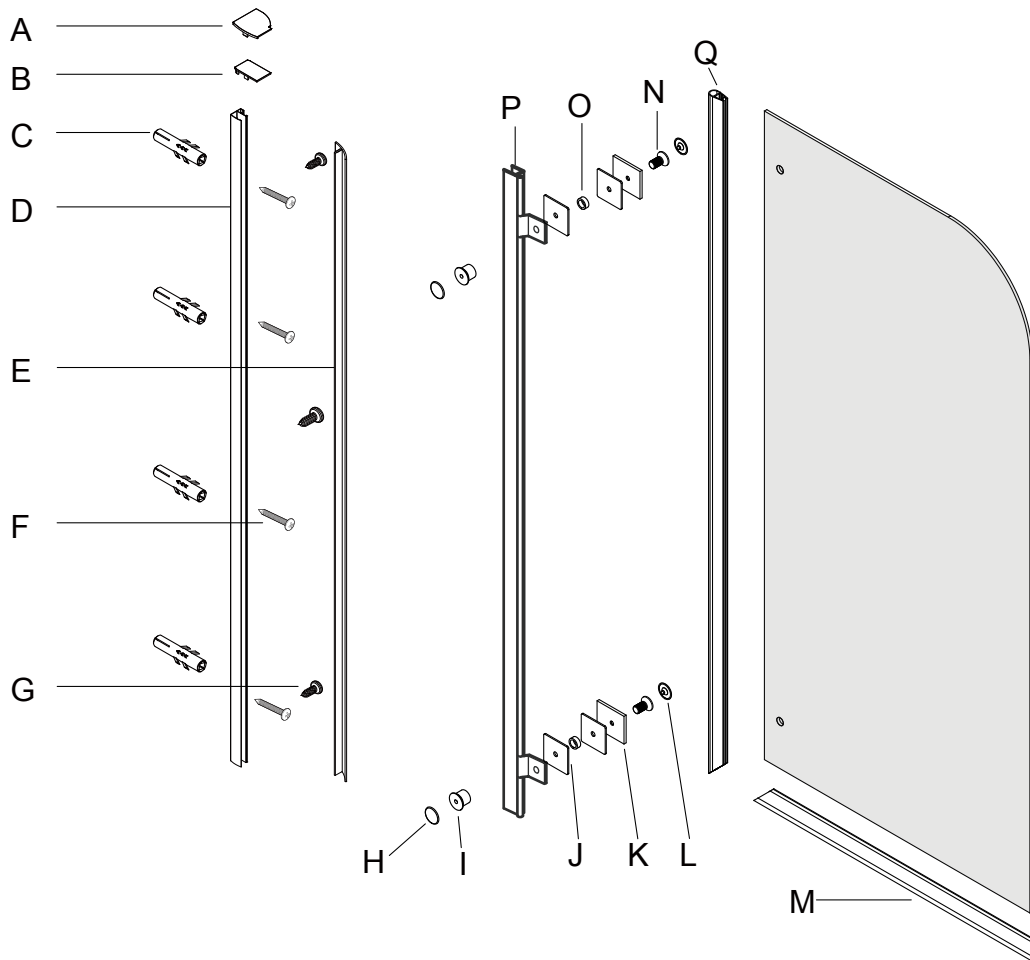
INSTALLATION - Left and Right hand

This product is reversible for left or right hand opening.

Please follow the diagram, and detailed below for your choice of installation.



Kai 6 SINGLE CURVED BATH SCREEN



| | | |
|---|--|---------------------------------|
| A | | Cap for wall profile x2 |
| B | | Cap for adjusting profile x1 |
| C | | Wall plug x3 |
| D | | Wall profile x1 |
| E | | Cover strip x1 |
| F | | ST4*30 x3 |

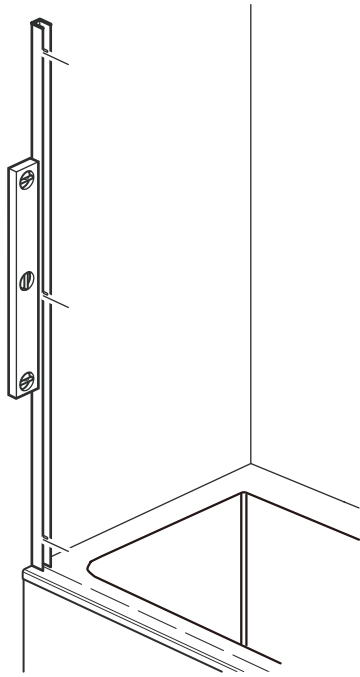
| | | |
|---|--|-------------------------|
| G | | ST4*8 x3 |
| H | | Cover cap x2 |
| I | | Female connector x2 |
| K | | Foam hinge spacer x4 |
| L | | Cover cap x2 |
| M | | Bottom seal x1 |

| | | |
|---|--|----------------------|
| N | | Male connector x2 |
| O | | Nylon bush x2 |
| P | | Hinge stile x1 |
| Q | | Vertical seal x1 |

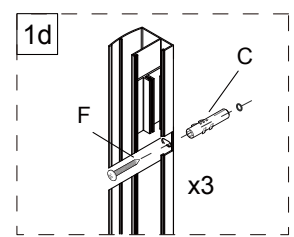
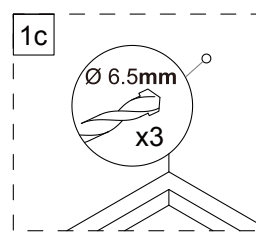
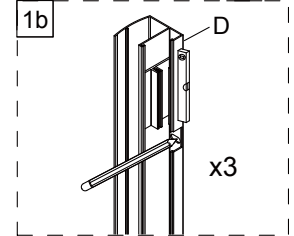
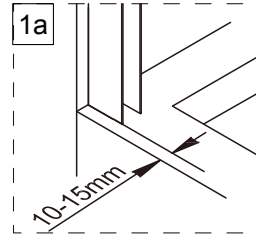
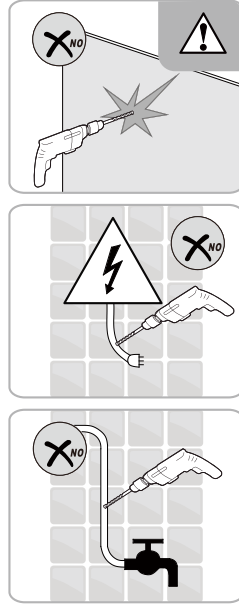
Tools and equipment needed

Drill, 6mm Masonry drill bit, 3.2mm General drill bit, Philips screwdriver, Spirit level, Pencil, Scissors, Silicone sealant.

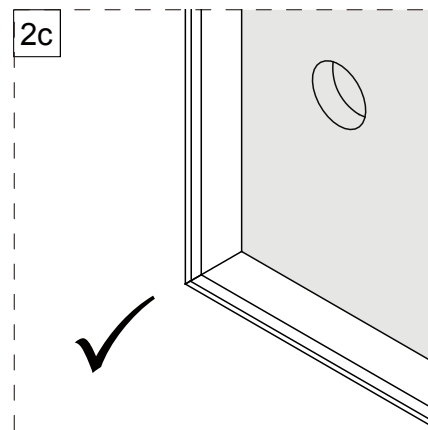
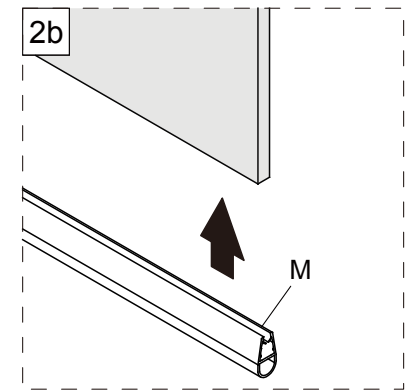
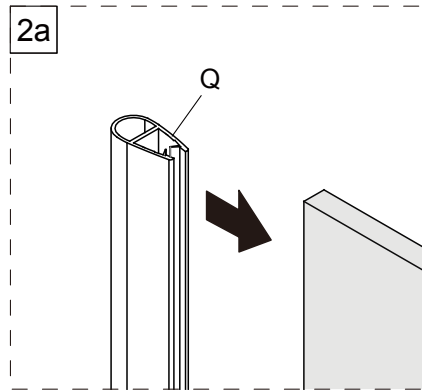
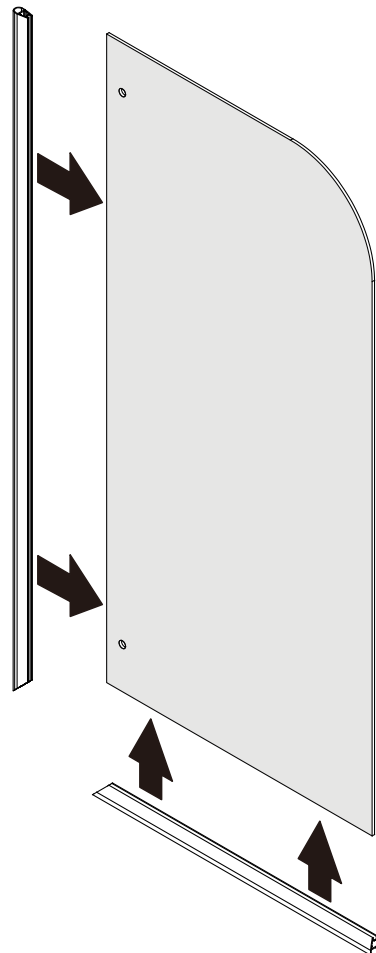
Step 1



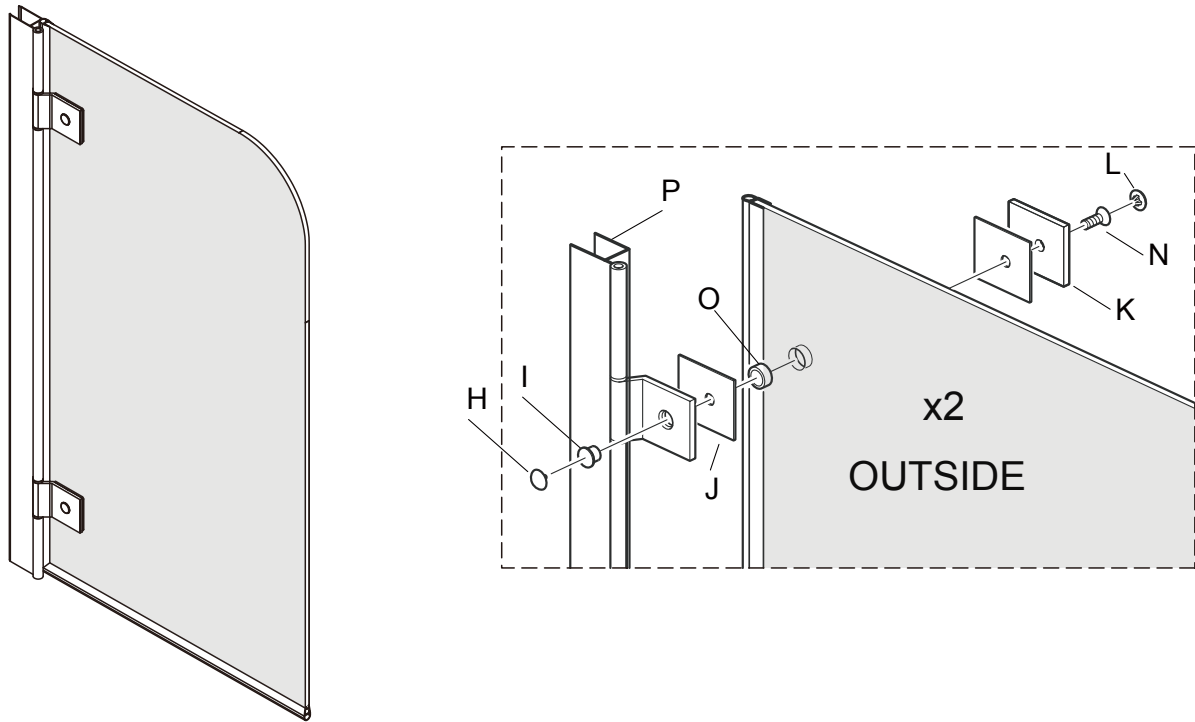
| PRODUCT CODE | Adjustment Range(mm) |
|--------------|----------------------|
| KLBSSC0650 | 694-714 |
| KLBSSC0875 | 854-874 |



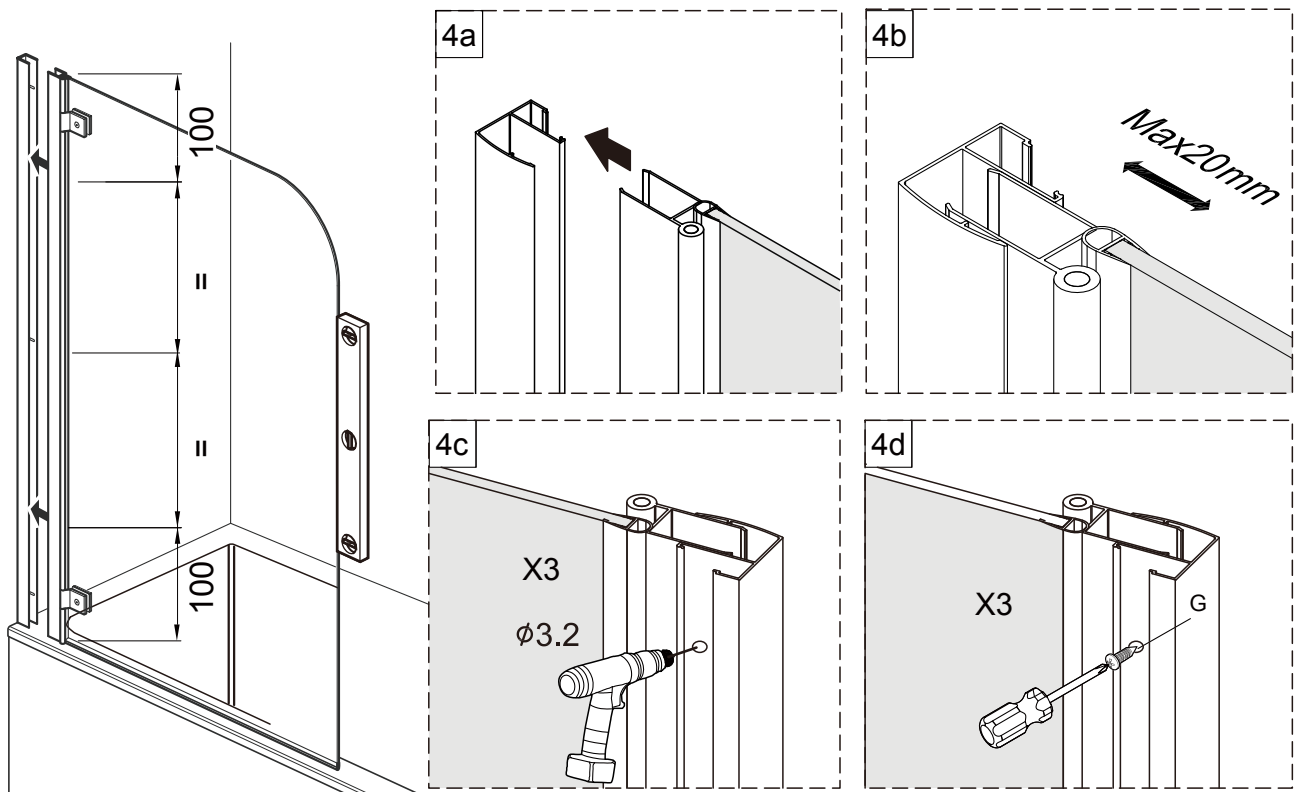
Step 2



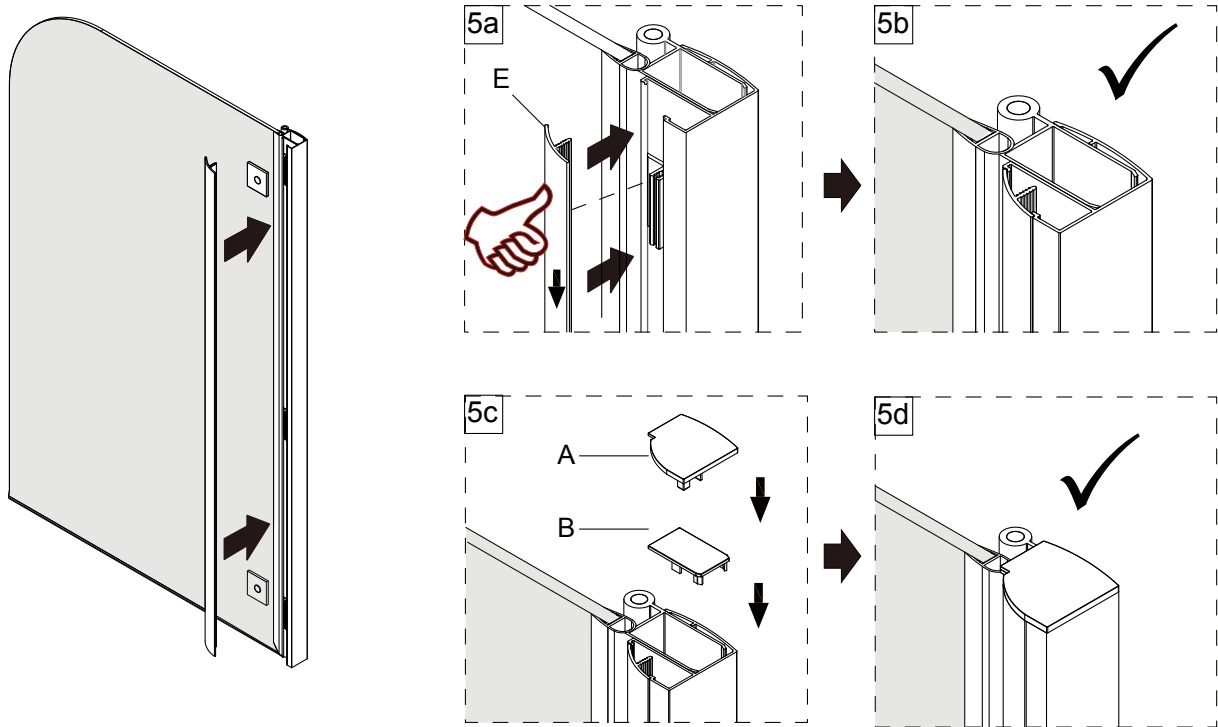
Step 3



Step 4



Step 5



Step 6

