




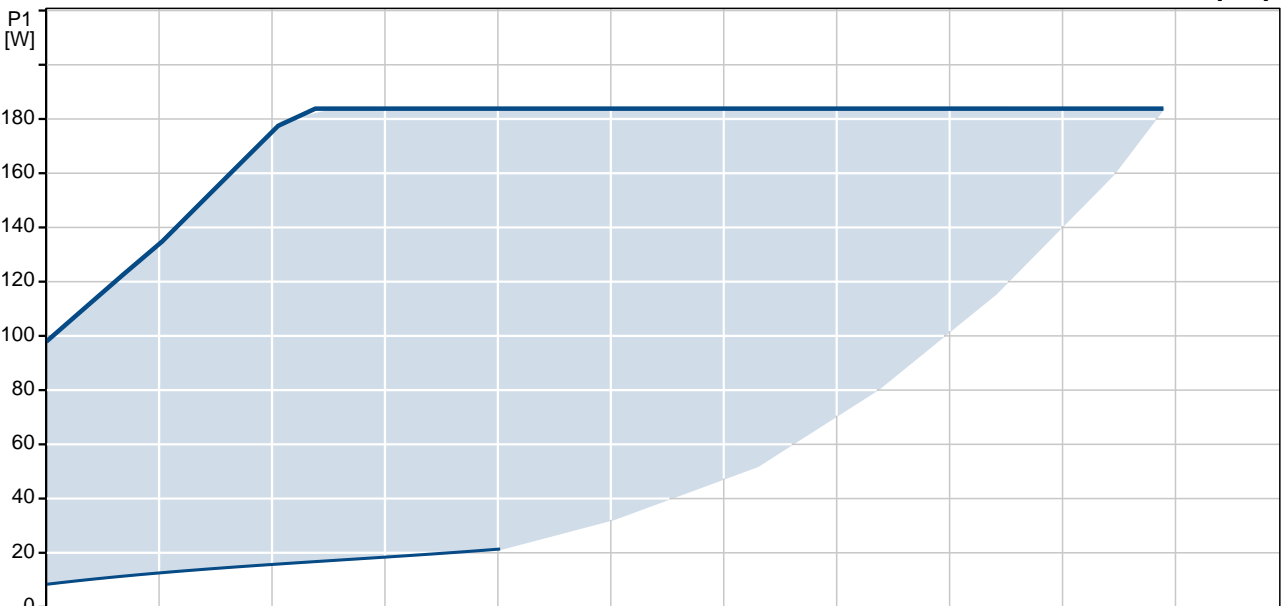
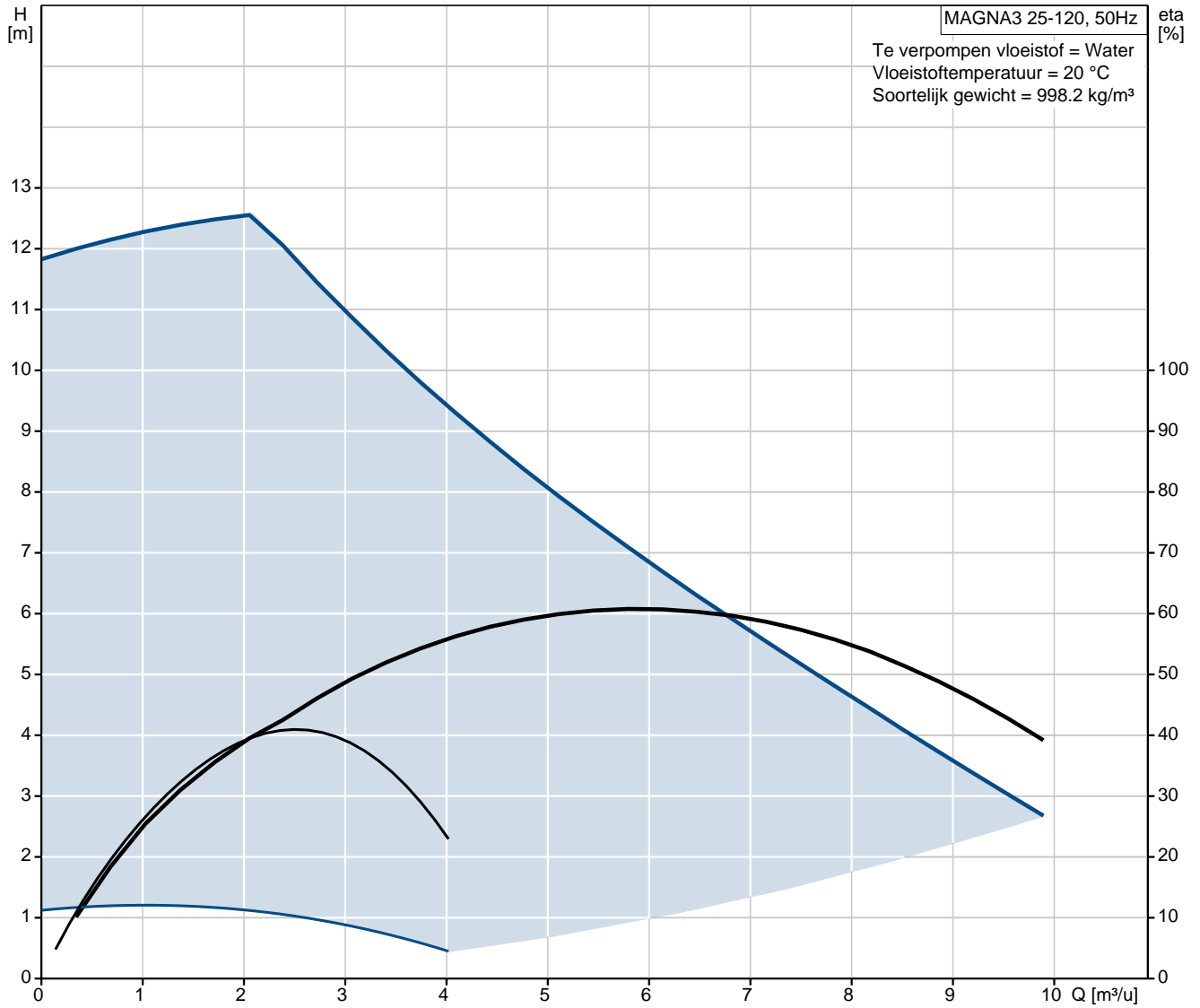
Positie	Aantal	Omschrijving
	1	<p>MAGNA3 25-120</p>  <p>Opm. De foto kan afwijken van het eigenlijke product</p> <p>Artikelnr.: 97924248</p> <p>MAGNA3 – More than a pump With its unrivalled efficiency, all-encompassing range and built-in communication capabilities plus functionalities replacing system components, the MAGNA3 is ideal for engineers and specifiers looking to create high-performance systems for buildings.</p> <p>This pump in the Grundfos Master Class will fit both heating and cooling applications perfectly, making it the obvious choice for almost any building project – old or new.</p> <p>The MAGNA3 is of the canned-rotor type, i.e. pump and motor form an integral unit without shaft seal and with only two gaskets for sealing. The bearings are lubricated by the pumped liquid.</p> <p>The innovative clamp with only one screw enables easy repositioning of the pump head.</p> <p>The MAGNA3 is a pump with no maintenance requirements and with extremely low Life Cycle Cost.</p> <p>The pump is characterised by the following:</p> <ul style="list-style-type: none"> • controller integrated in the control box • control panel with TFT display on the control box • control box prepared for optional CIM modules • built-in differential-pressure and temperature sensor • cast-iron pump housing (depending on model) • carbon-fibre-reinforced composite rotor can • stainless-steel bearing plate and rotor cladding • aluminium alloy stator housing • air-cooled power electronics <p>The MAGNA3 is a single-phase pump.</p> <p>Characteristic features</p> <ul style="list-style-type: none"> • AUTOADAPT. • FLOWADAPT and FLOWLIMIT (more than a pump function as it reduces the need for pump throttling valves). • Proportional-pressure control. • Constant-pressure control. • Constant-temperature control. • Constant-curve duty. • Max. or min. curve duty. • Automatic Night Setback. • No external motor protection required. • Insulating shells supplied with single-head pumps for heating systems. • Large temperature range where the liquid temperature and the ambient temperature are independent of each other. <p>Communication The MAGNA3 enables communication via the following:</p> <ul style="list-style-type: none"> • wireless Grundfos GO Remote • fieldbus communication via CIM modules



Positie	Aantal	Omschrijving
		<ul style="list-style-type: none"> • digital inputs • relay outputs • analog input (more than a pump function as heat energy meter) <p>Motor and electronic controller The MAGNA3 incorporates a 4-pole synchronous, permanent-magnet motor (PM motor). This motor type is characterised by higher efficiency than a conventional asynchronous squirrel-cage motor. The pump speed is controlled by an integrated frequency converter. A differential-pressure and temperature sensor is incorporated in the pump.</p> <p>Vloeistof: Bereik vloeistoftemperatuur: -10 .. 110 °C</p> <p>Technisch: TF klasse: 110 Keurmerken op typeplaat: CE,VDE,EAC</p> <p>Materialen: Pomphuis: Gietijzer EN-GJL-200 ASTM A48-200B Waaier: PES 30%GF</p> <p>Installatie: Reeks van omgevingstemperaturen: 0 .. 40 °C Maximale bedrijfsdruk: 10 bar Leidingaansluiting: G 1 1/2" Druktrap: PN10 Inbouwlengte: 180 mm</p> <p>Elektrische gegevens: Vermogen - P1: 9 .. 193 W Maximum stroomverbruik: 0.09 .. 1.56 A Netfrequentie: 50 Hz Nominale spanning: 1 x 230 V Dichtheidsklasse (IEC 34-5): X4D Insolatie klasse (IEC 85): F</p> <p>Overige: Label: Grundfos Blueflux Energy (EEI): 0.19 Netto gewicht: 4.81 kg Bruto gewicht: 5.27 kg Transportvolume: 0.015 m³</p>



97924248 MAGNA3 25-120 50 Hz



Omschrijving **Specificatie**

Algemene informatie:

Productnaam::	MAGNA3 25-120
Positie	
Artikelnummer::	97924248
EAN nummer::	5710626493234
Prijs:	Op aanvraag

Technisch:

Max. opvoerhoogte:	120 dm
TF klasse:	110
Keurmerken op typeplaat:	CE, VDE, EAC
Model:	A

Materialen:

Pomphuis:	Gietijzer EN-GJL-200 ASTM A48-200B
Waaier:	PES 30%GF

Installatie:

Reeks van omgevingstemperaturen:	0 .. 40 °C
Maximale bedrijfsdruk:	10 bar
Leidingaansluiting:	G 1 1/2"
Druktrap:	PN10
Inbouw lengte:	180 mm

Vloeistof:

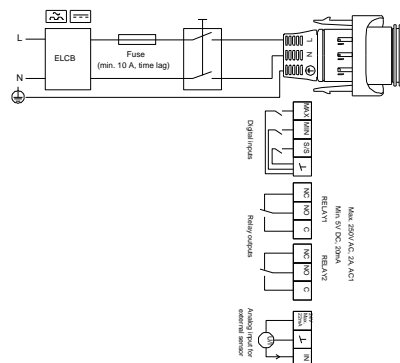
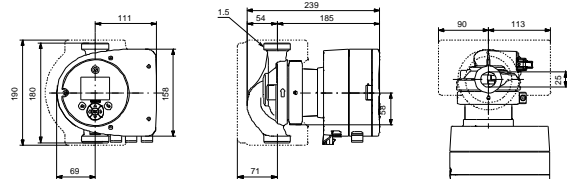
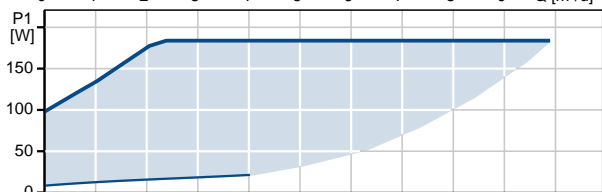
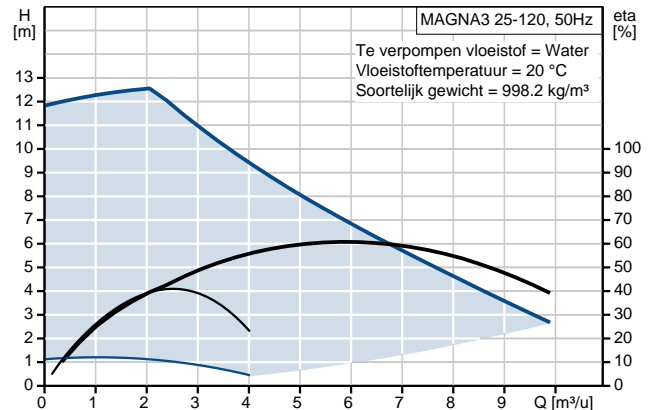
Bereik vloeistoftemperatuur:	-10 .. 110 °C
------------------------------	---------------

Elektrische gegevens:

Vermogen - P1:	9 .. 193 W
Maximum stroomverbruik:	0.09 .. 1.56 A
Netfrequentie:	50 Hz
Nominale spanning:	1 x 230 V
Dichtheidsklasse (IEC 34-5):	X4D
Insolatie klasse (IEC 85):	F

Overige:

Label:	Grundfos Blueflux
Energy (EEI):	0.19
Netto gewicht:	4.81 kg
Bruto gewicht:	5.27 kg
Transportvolume:	0.015 m ³





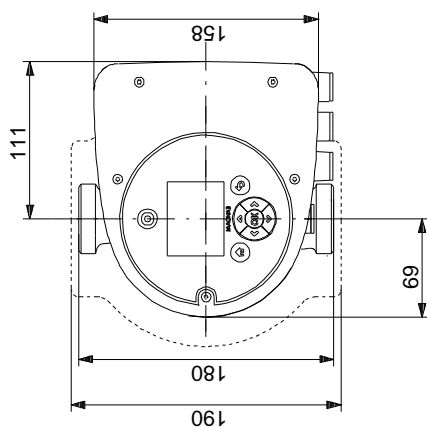
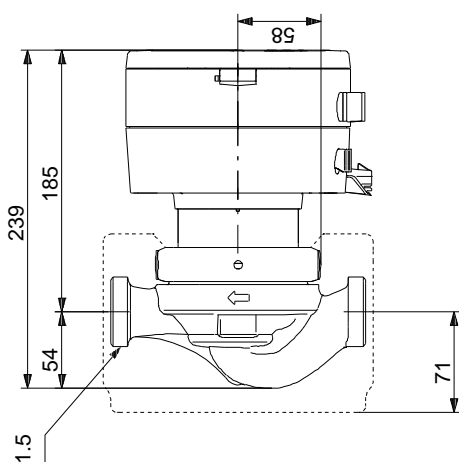
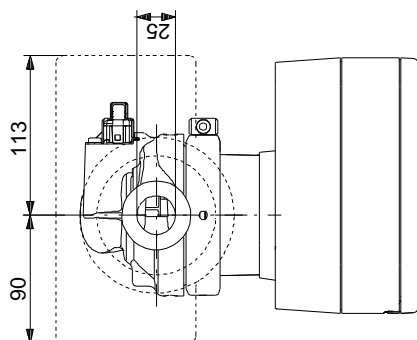
Firma naam:

Gemaakt door:

Telefoon:

Datum:

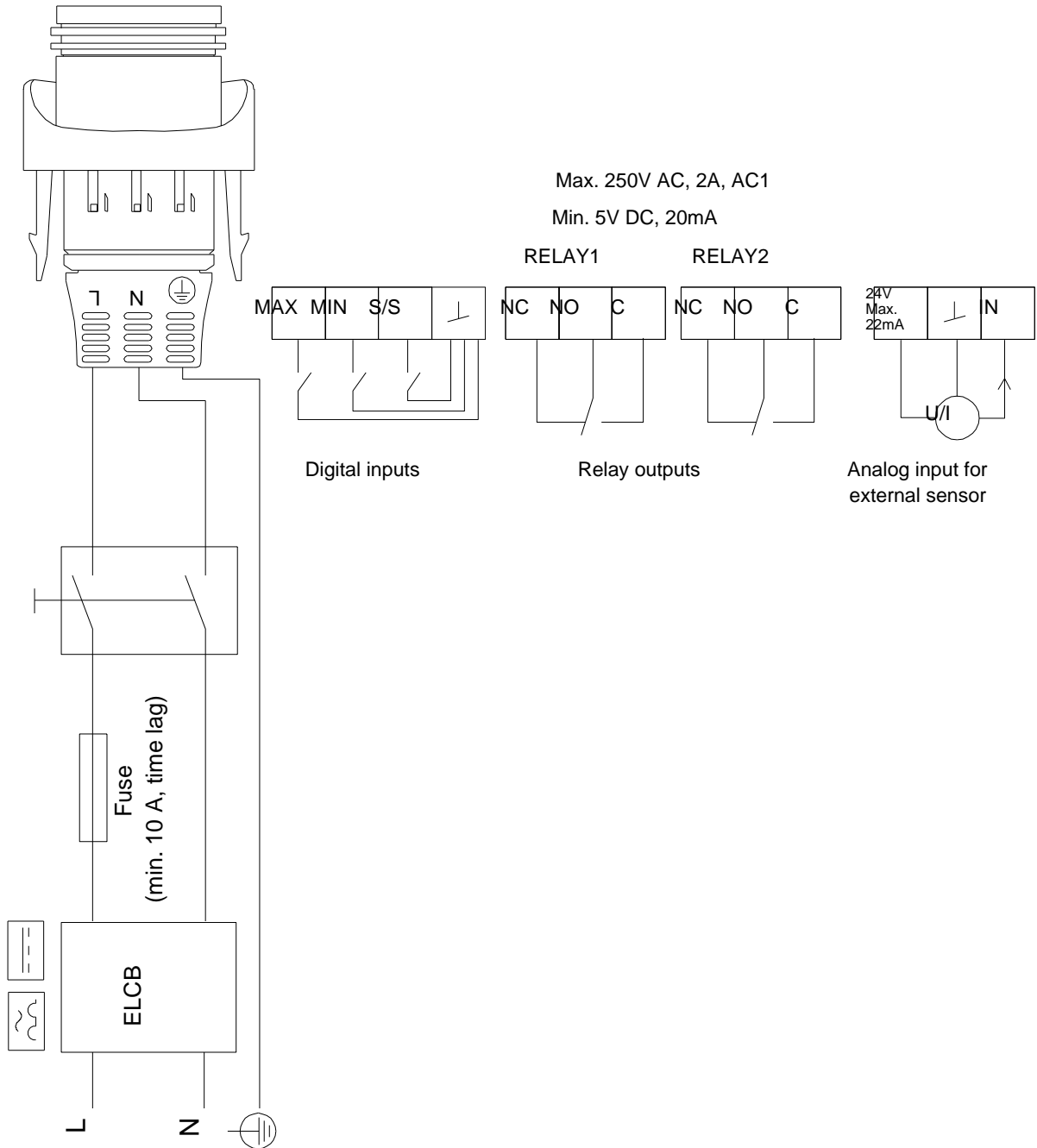
97924248 MAGNA3 25-120 50 Hz



Opm! Alle unit's zijn in [mm] tenzij anders aangegeven.
Disclaimer: Deze eenvoudige maatschets toont u niet alle details.



97924248 MAGNA3 25-120 50 Hz



Opm.: Alle eenheden in (mm) tenzij anders vermeld