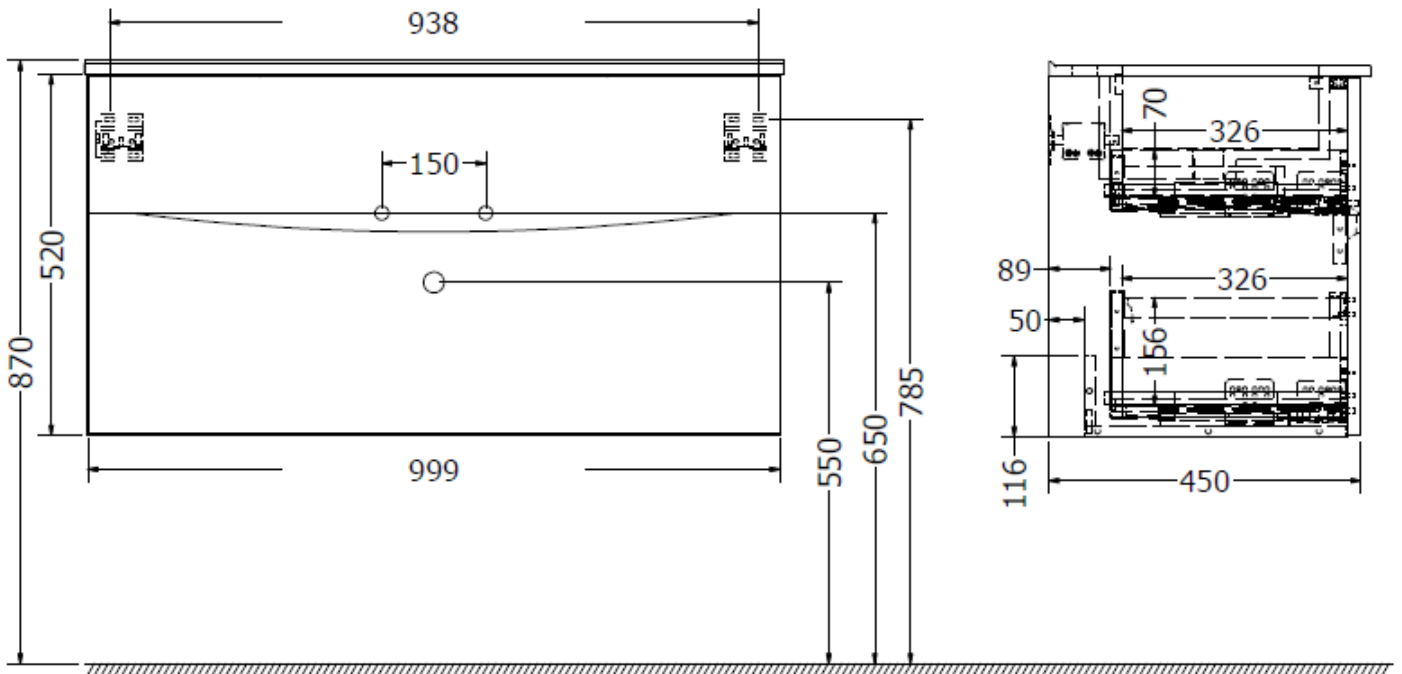


## Glide II 1000mm FURNITURE

TECHNICAL DATA		SPECIFICATION
<b>CODE No UNIT</b>	GL1000DXX+	<b>Installation Information:</b> The intended installation wall needs to be strong enough for the weight of the furniture and basin. Wall fixings for solid walls included. Laminate finishes/lacquer tested to ISO 22196 Measurement of antibacterial activity Graded Strong value of anit-bacterial effect A>3
<b>Required top</b>	Ceramic basins - see prevailing Crossater Catalogue Cast Marble basins - see prevailing Crosswater catalogue Glass basins - see prevailing Crossater catalogue Solid surface worktop - see prevailing Crossater catalogue	
<b>Recommended use:</b>	Domestic, residential	
<b>Dimension Unit</b>	w 1000 x d 450 x h 520mm	
<b>Installation:</b>	Wall Hung	
<b>Materials:</b>	Carcass and drawer front 18mm MDF Drawer set 18mm MDF	
<b>Specification:</b>	Full extension soft close drawers - 30kg weight capacity Anti-tip wall hangers 120Kg capacity	
<b>Weight:</b>	36.66kg	
<b>Fitting:</b>	Wall hangers integrated into carcass 3 way adjustable Wall brackets supplied	
<b>Required Fitting:</b>	Compatbile to basin requirement	
<b>Advised Fitting:</b>	Space saving 50mm seal trap BTR0510W	
<b>Option Accessories:</b>	BTR0410W and BTR0510W basin traps	
<b>Warranty</b>	10 years on furniture	



Measurements in millimetres mm

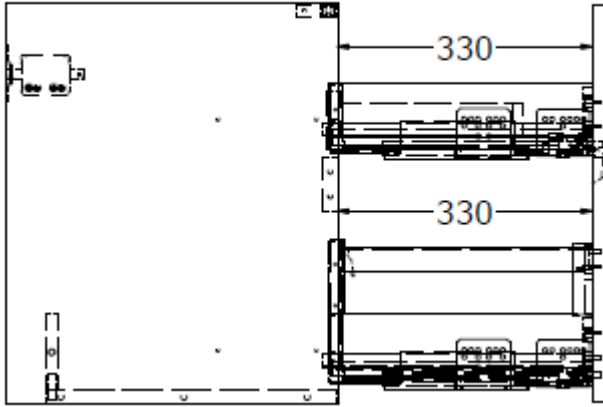
Information updated May 2021

Tel 0345 873 8840



## GLIDE II 100mm FURNITURE

Side View—drawer extension



Plan View

