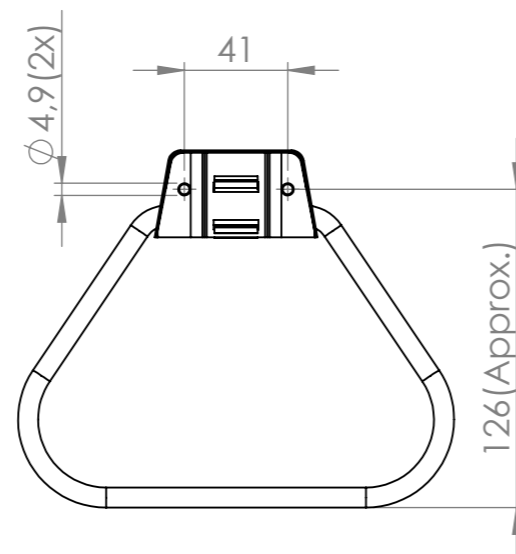
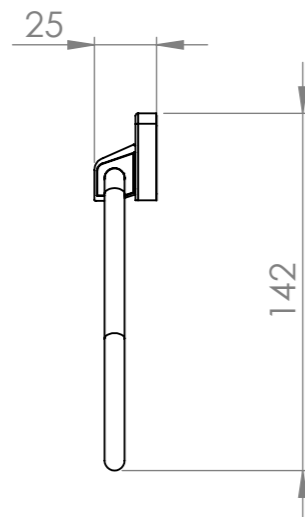
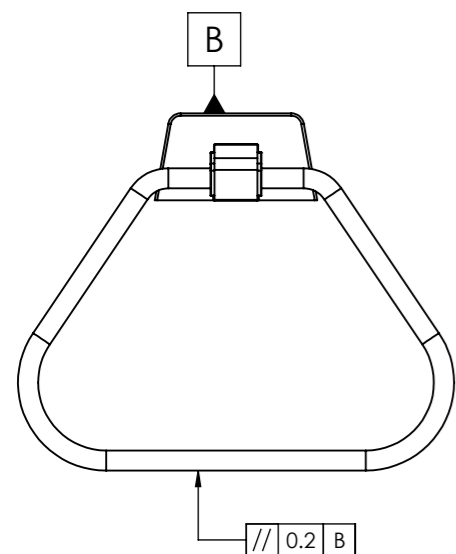
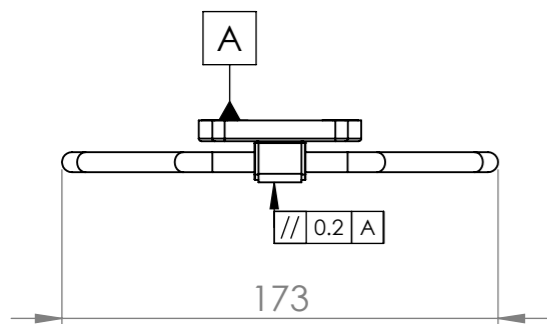
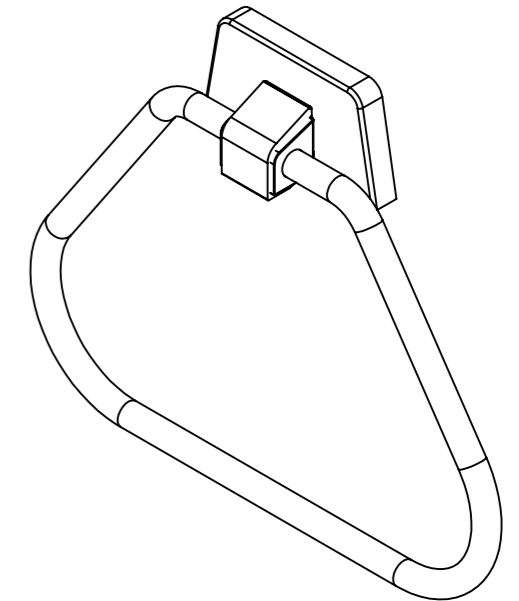
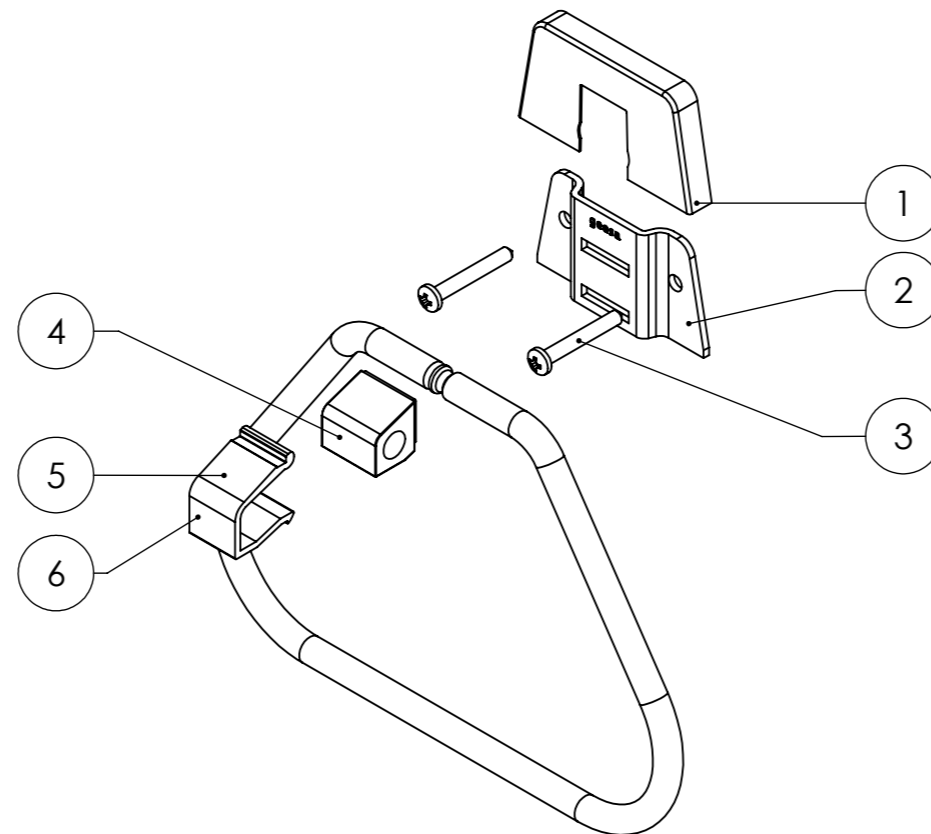


Unless otherwise specified:  
 Angle Dimension +/- 0.5 degrees  
 Linear Dimension +/- 0.5 mm  
 Corners and edges 0.2 mm

REV	DATE	MODIFIED BY	DESCRIPTION
1	13-12-2011	N.Uiterwijk	
2	20-09-2016	N.U.	Changed Series, was Standard Hotel



- A 3D file is linked to this drawing, for additional information please check 3D file
- Surfaces must be free from scratches, burrs and dents

NO.	QTY.	Drawing nr.	Article nr.	DESCRIPTION	MATERIAL	NOTES
6	1	003313 (Default)	465000-6	Profile Fixation	2.0402 (CuZn40Pb2)	
5	1	004810	465251	Triangular bracket Ø160mm	CuZn38Pb1.5	
4	1	004800	225251-2	Fill block ring	LDPE	Color: Grey
3	2	004166	225000-2	Screw 4x30mm	Zinc plated Steel	Chipboard Screw ft Pan Head Zinc Plated Pozi
2	1	004269	465000-4	Wall plate steel	Steel DC01-A-m oiled	
1	1	004133	465000-5	Cover trapezium (profile fixation)	CuZn37	

Title				Note	
Towel ring Ø160mm				Series Standard	
Material -				Article nr. 915251	
Norm.				Drawing nr. 004811	
Finish				A3	
Weight (gr) 276.24				Sheet no.	
Vol. (cm³) 34.94				No. of sheets 1	
Am. projectie		Scale: 1:2	Revision 2	Drawn M. Weststrate 06-06-2011	
Checked N.U.				20-09-2016	

