

Novellini
DESIGN

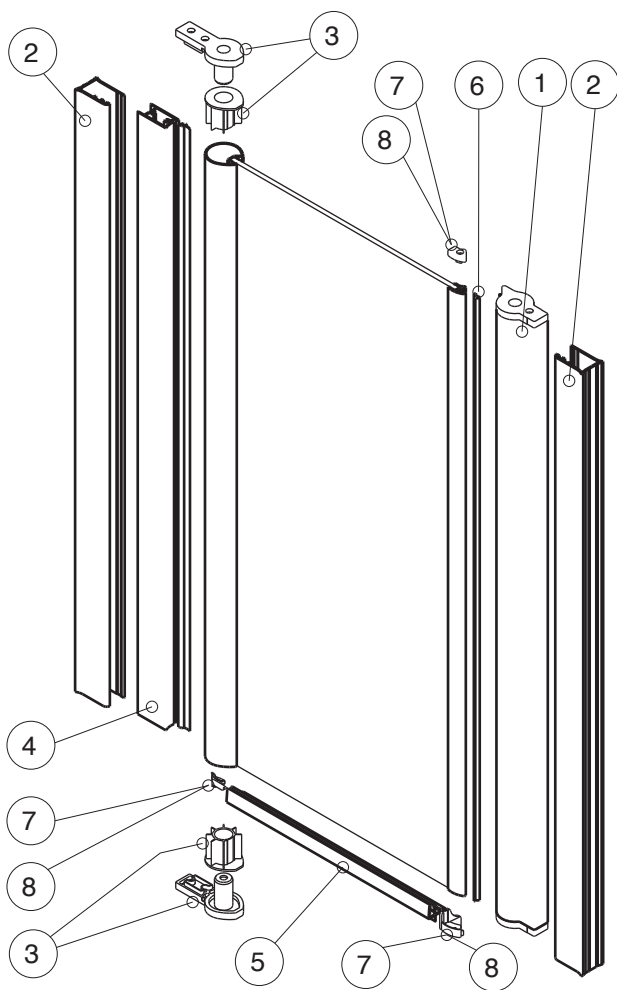


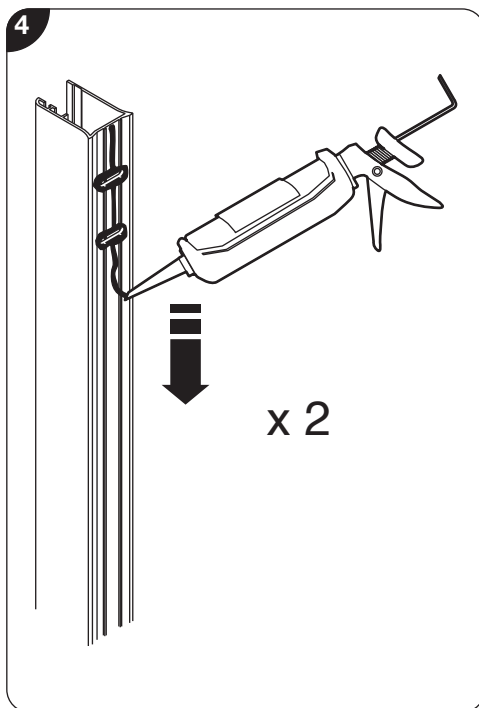
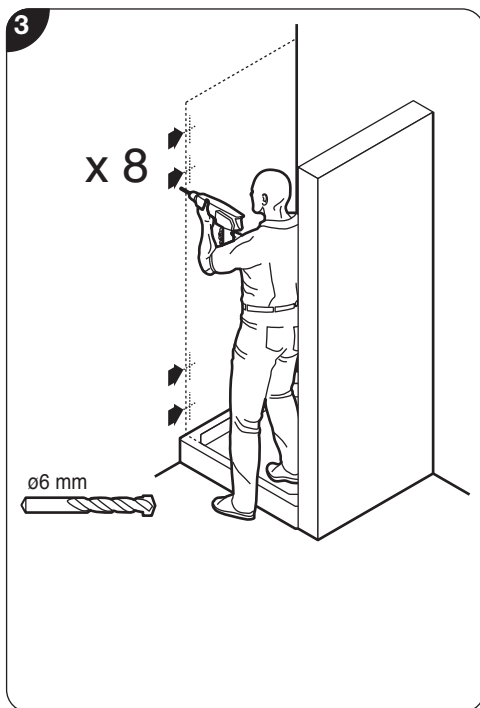
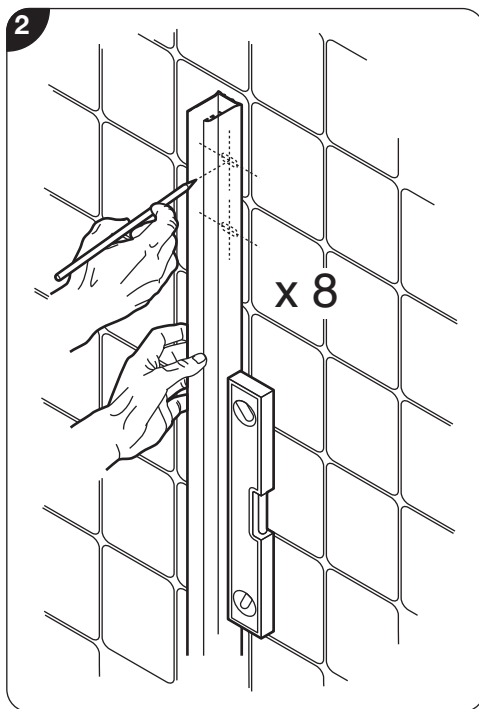
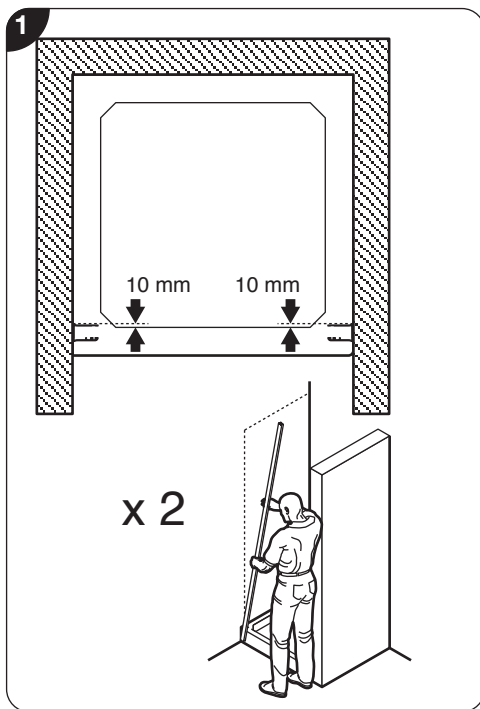
GIADA

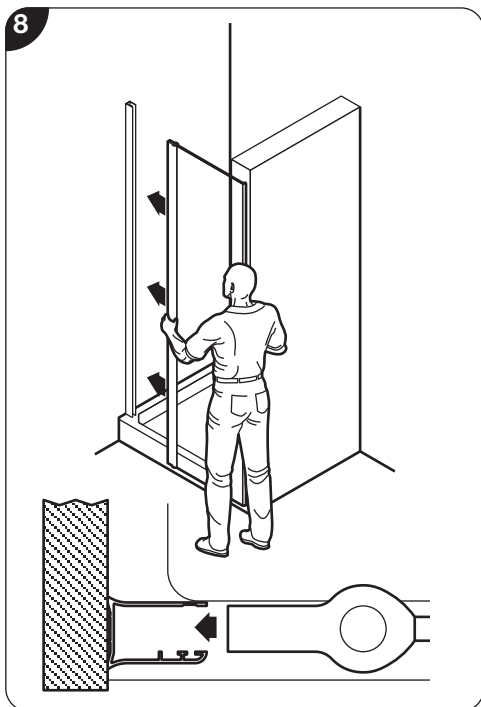
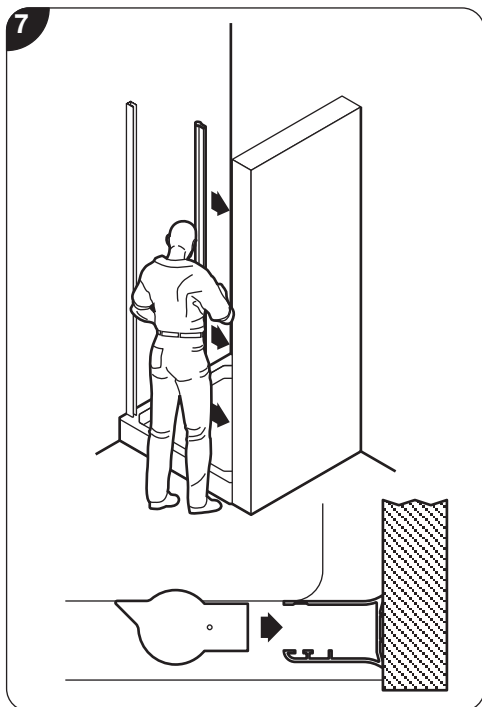
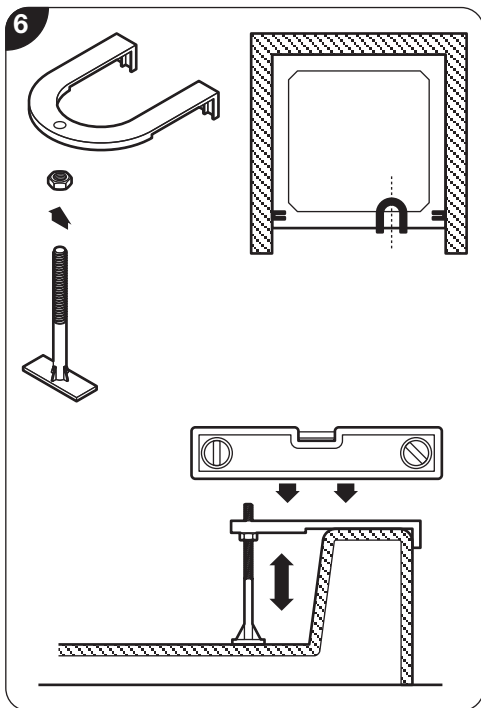
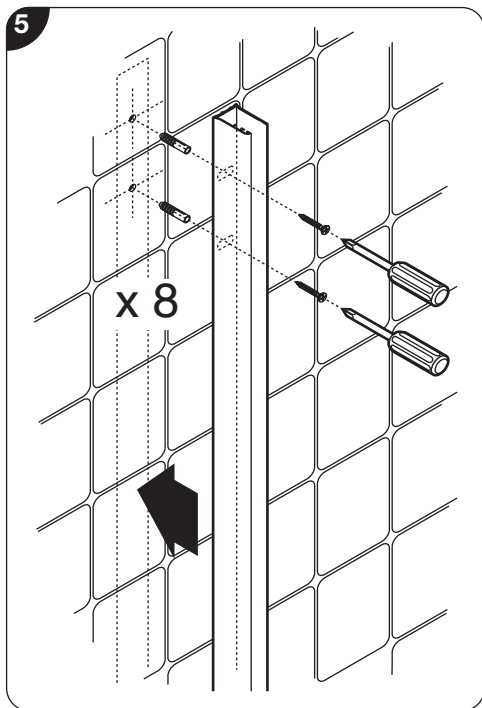
1B



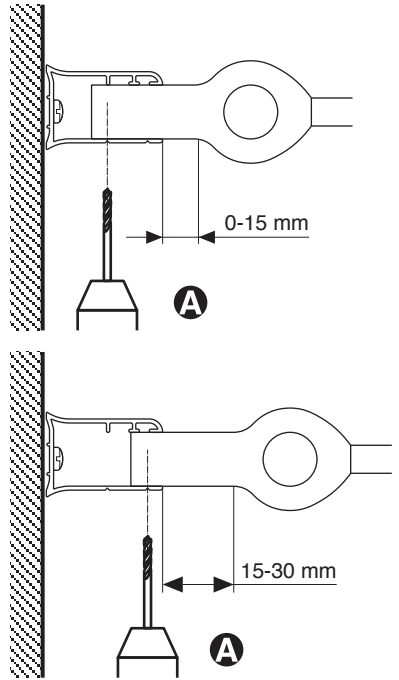
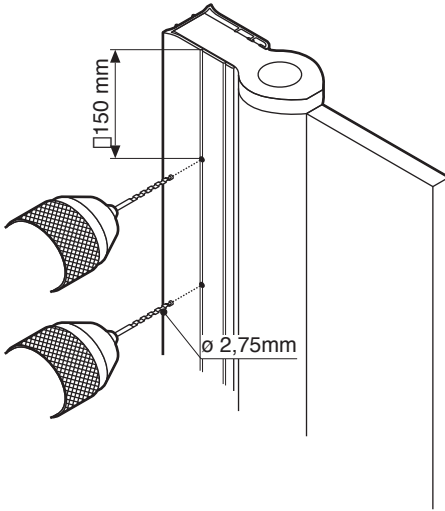
8	R04GIC	1
7	R03GIC	1
6	R10GI512	1
5	R52GIR	1
4	P10DIAST	1
3	R04AUR	1
2	P02DIAST	2
1	C01DGRG01	1



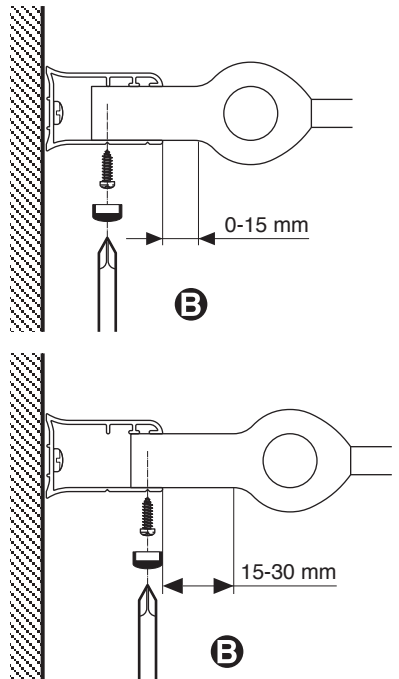
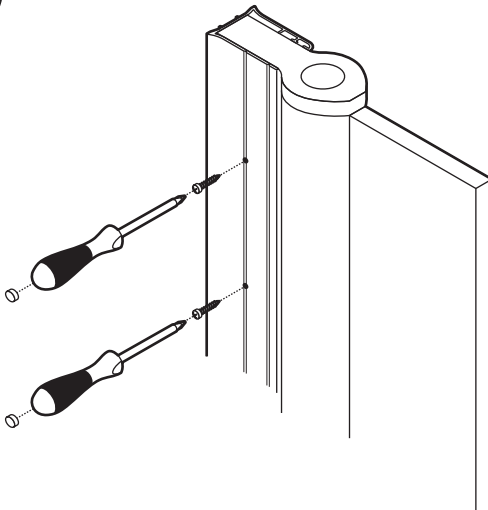


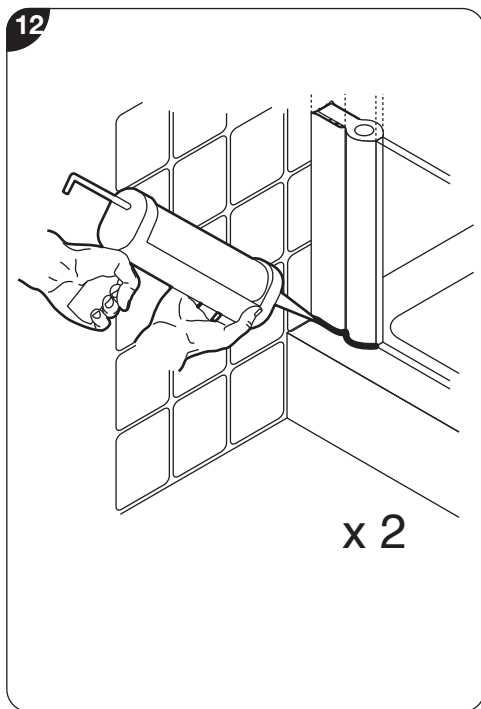
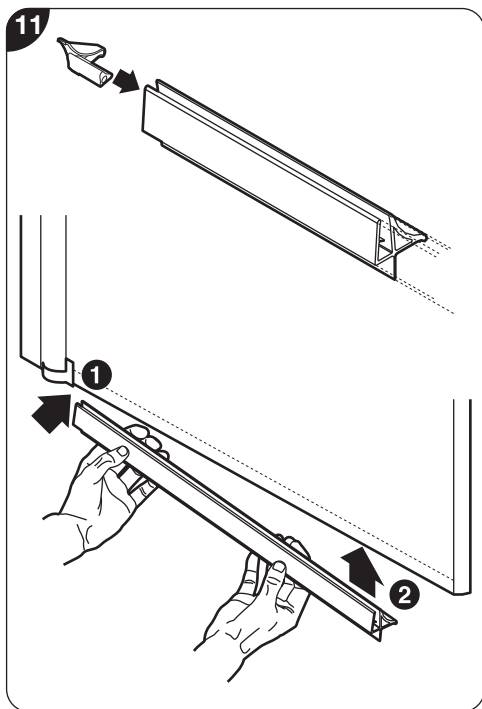


9



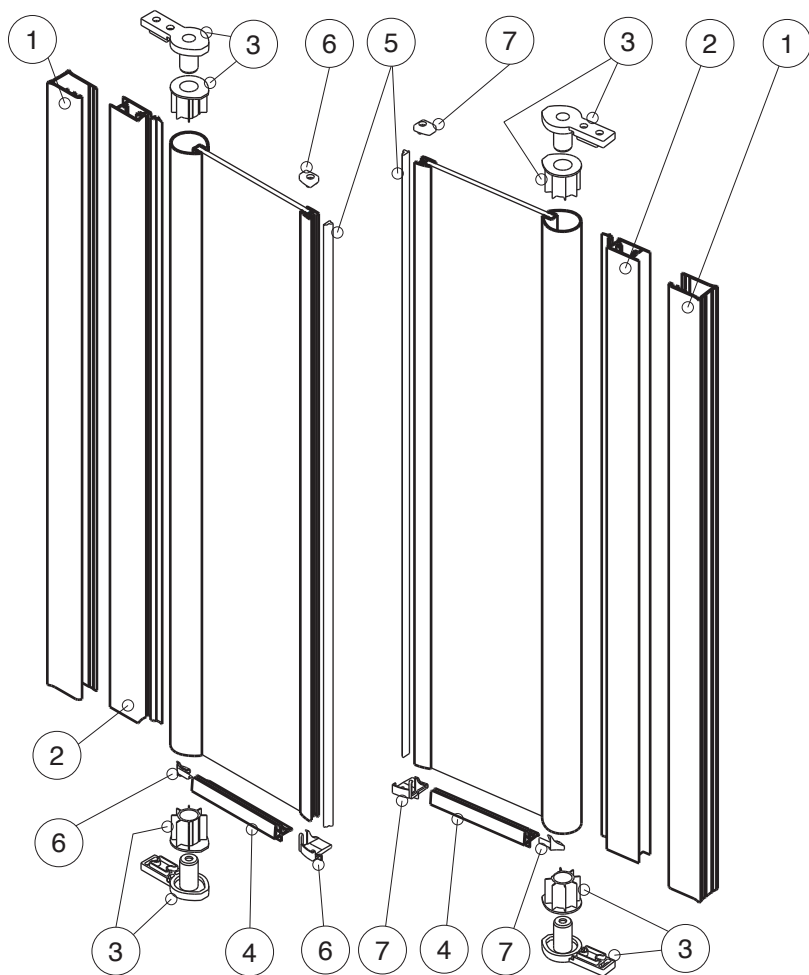
10

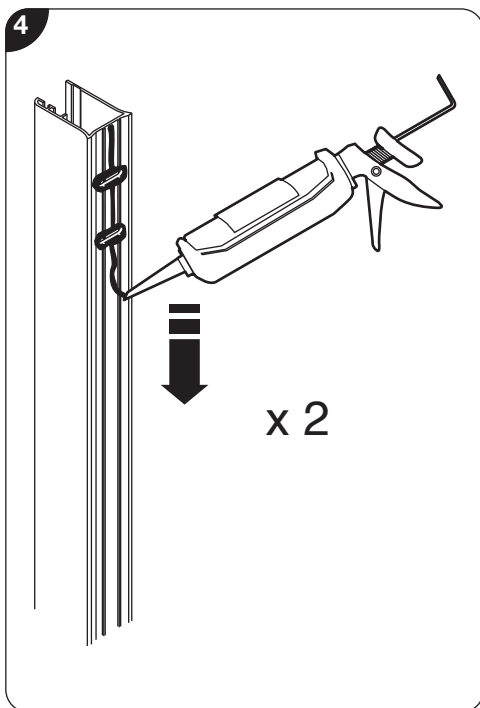
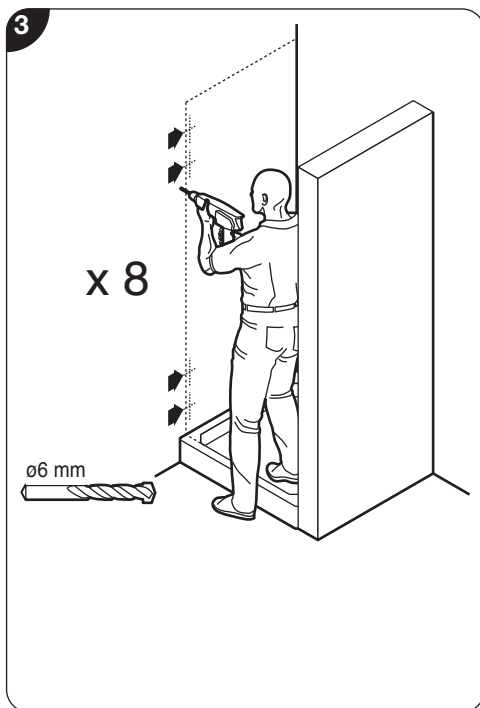
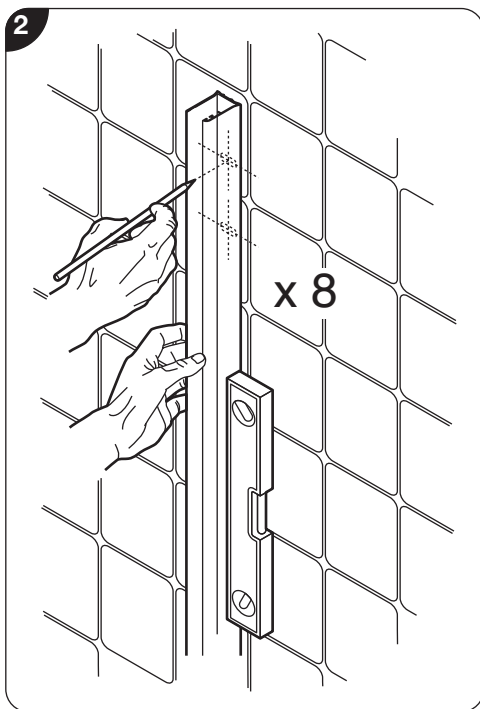
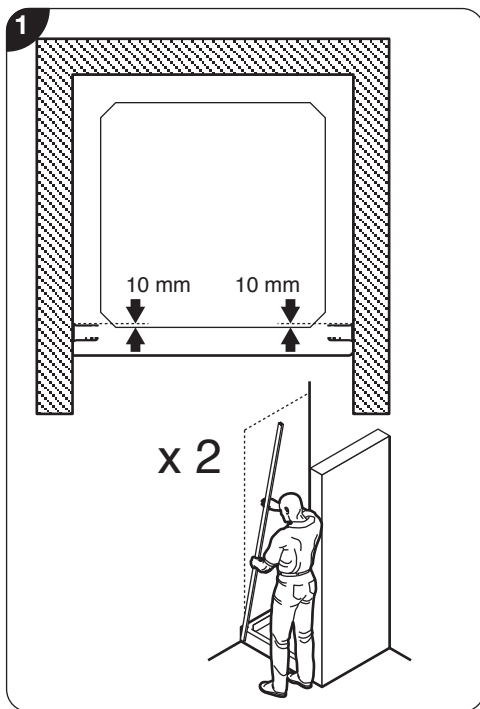


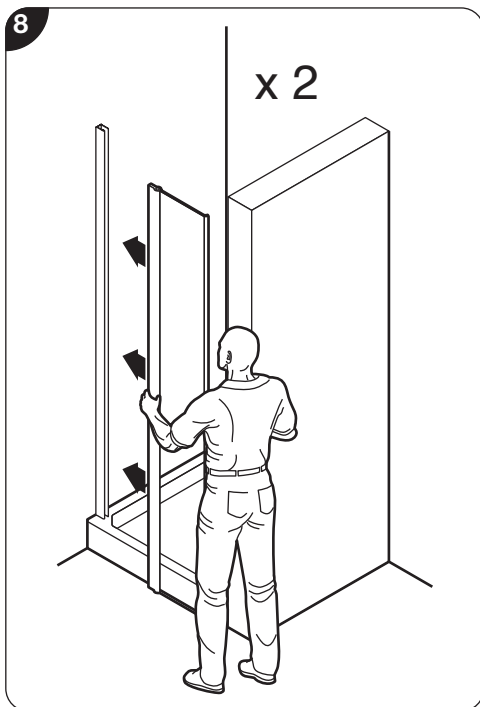
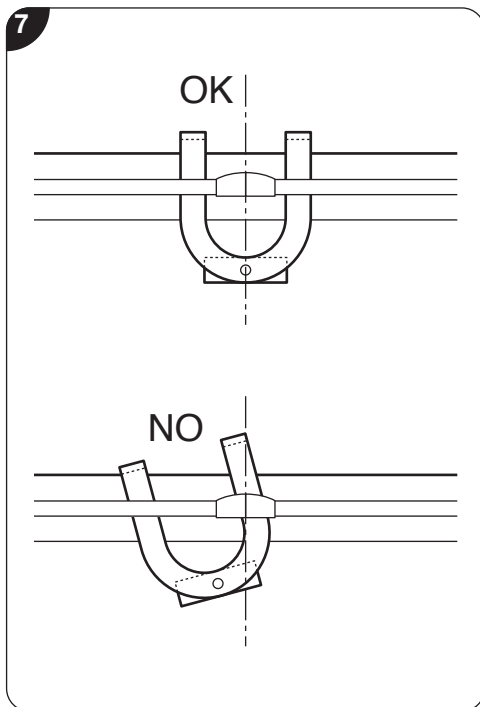
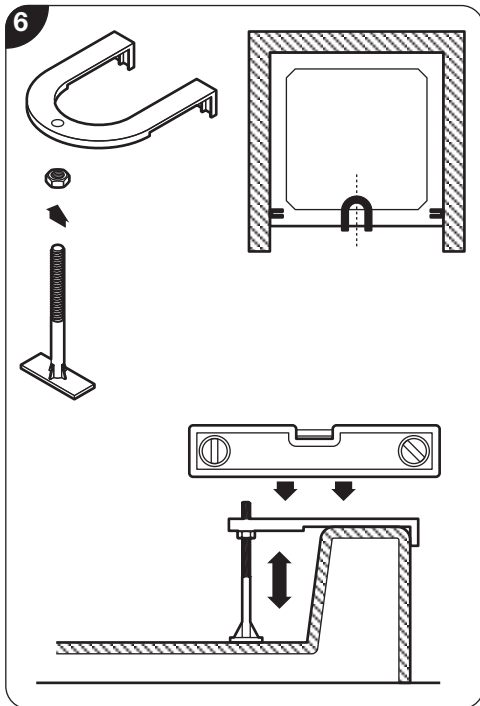
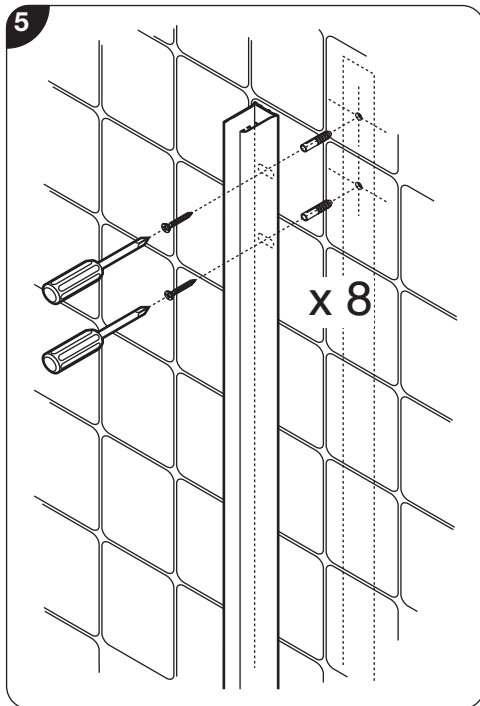




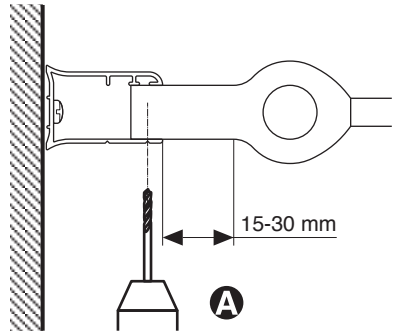
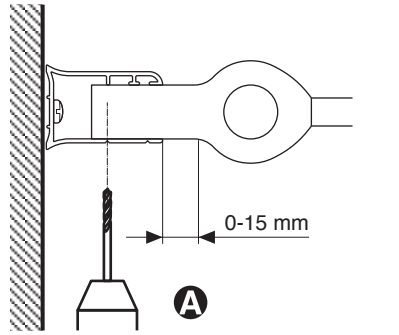
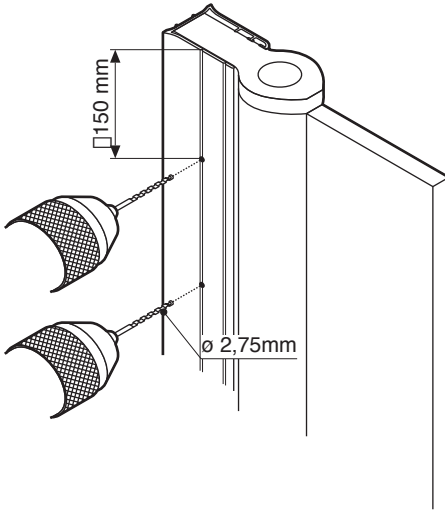
7	R02GIC	1
6	R01GIC	1
5	R10GI502	1
4	R52GIR	2
3	R04AUR	2
2	P10DIAST	2
1	P02DIAST	2



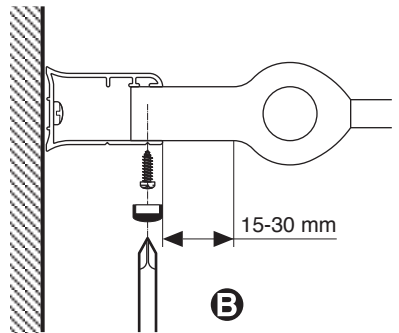
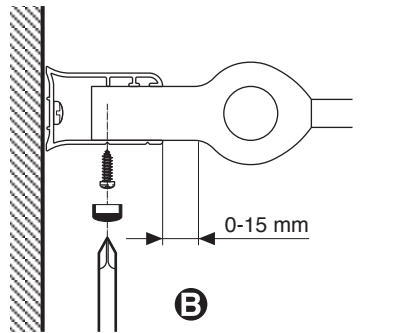
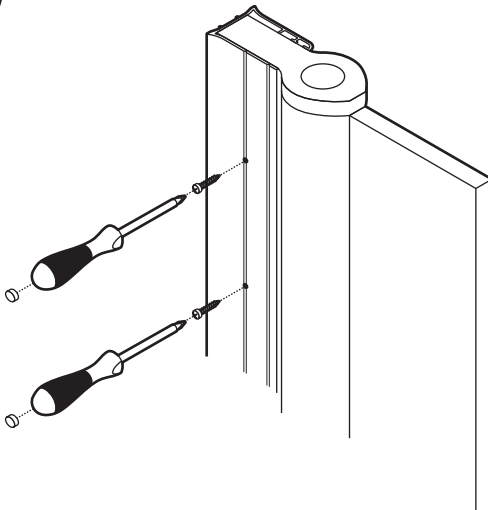




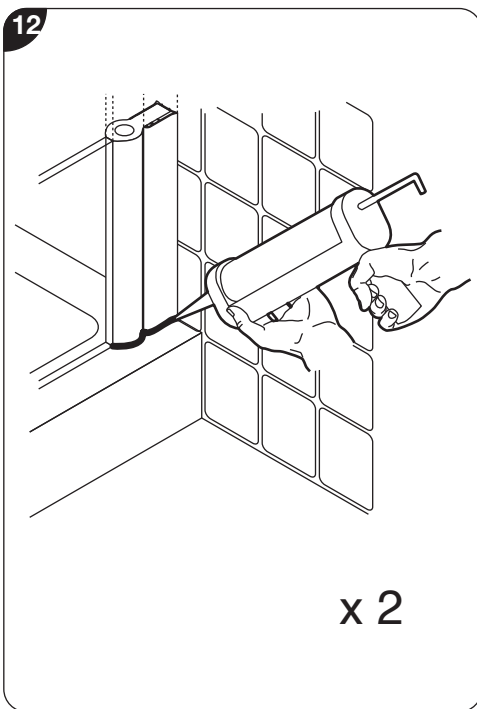
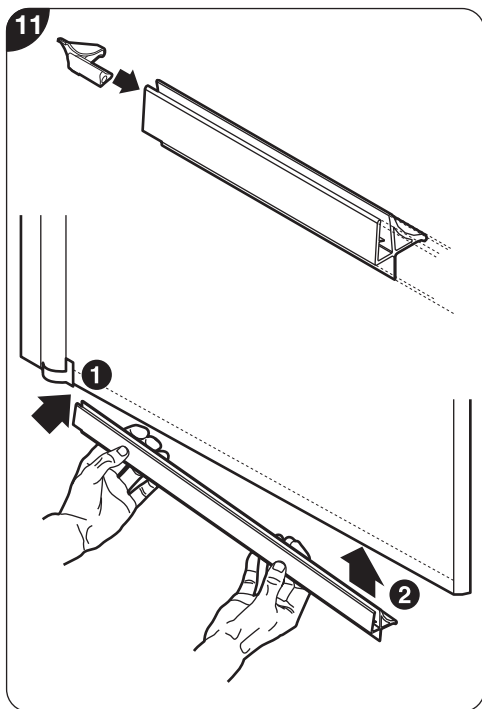
9



10



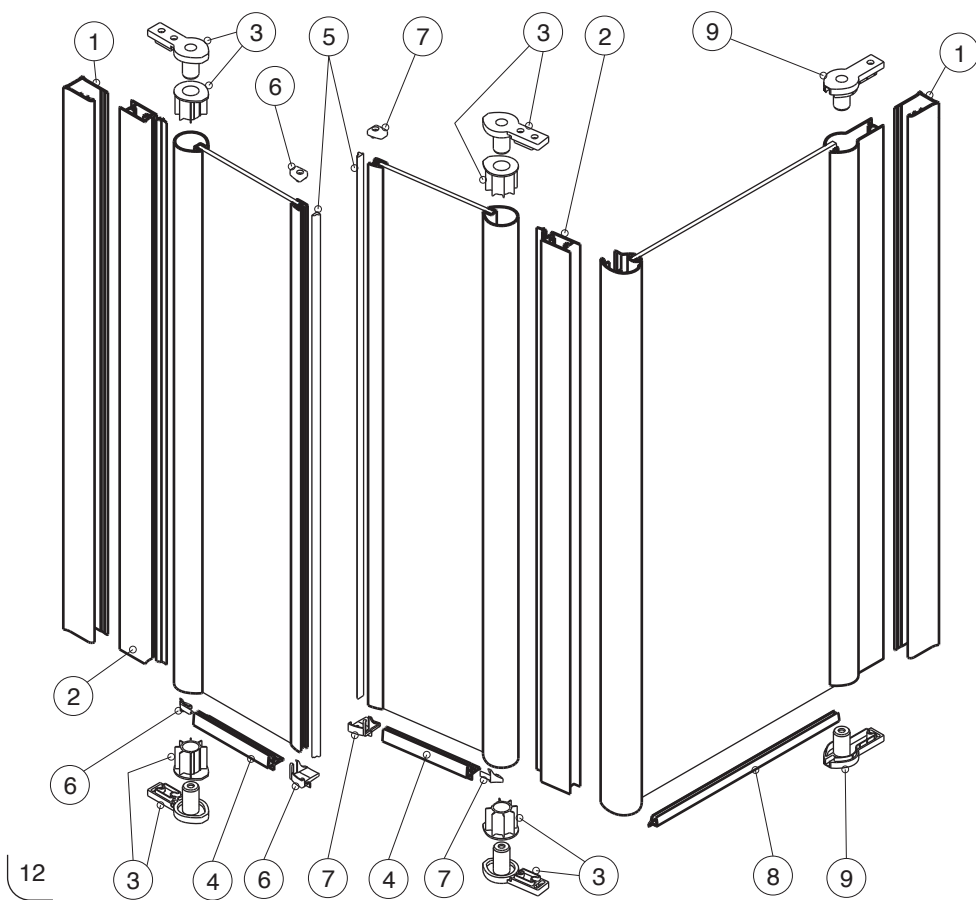
10

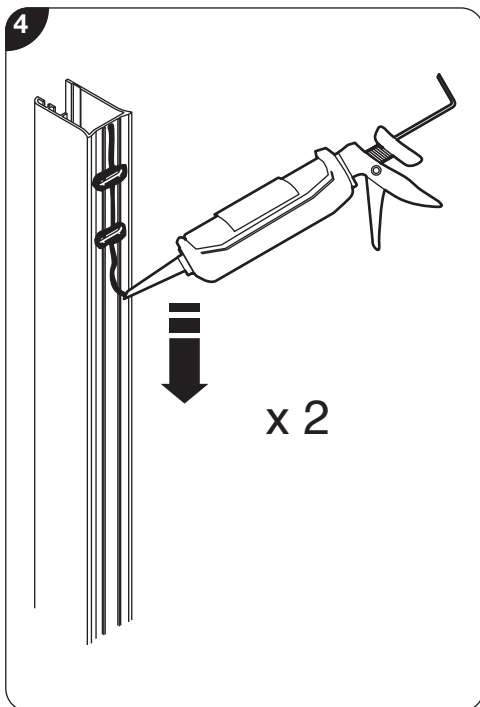
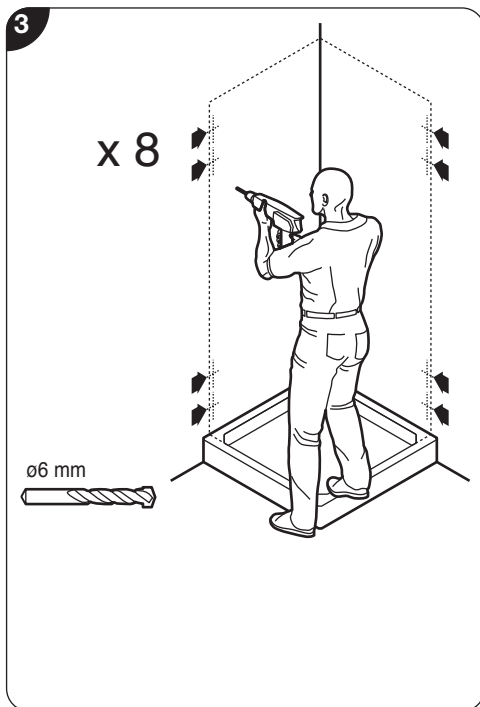
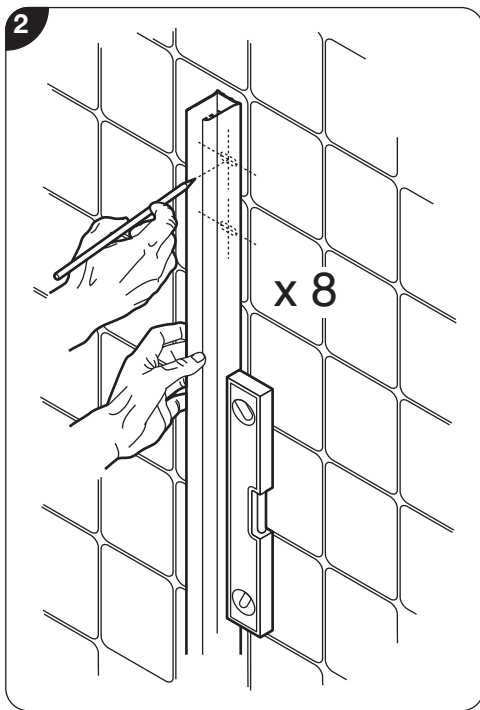
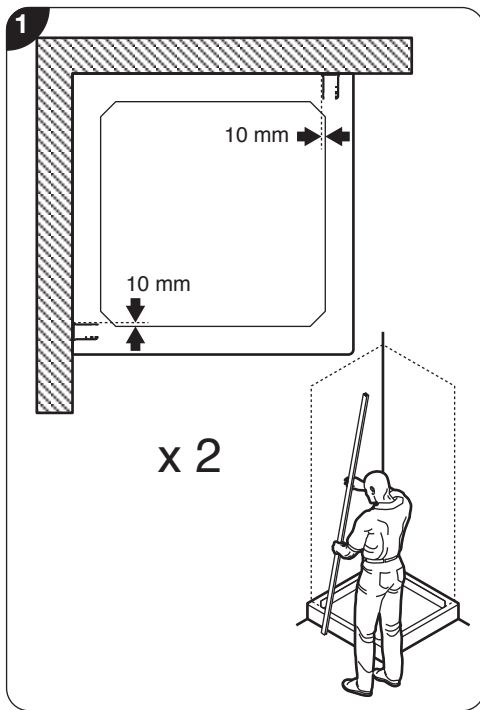


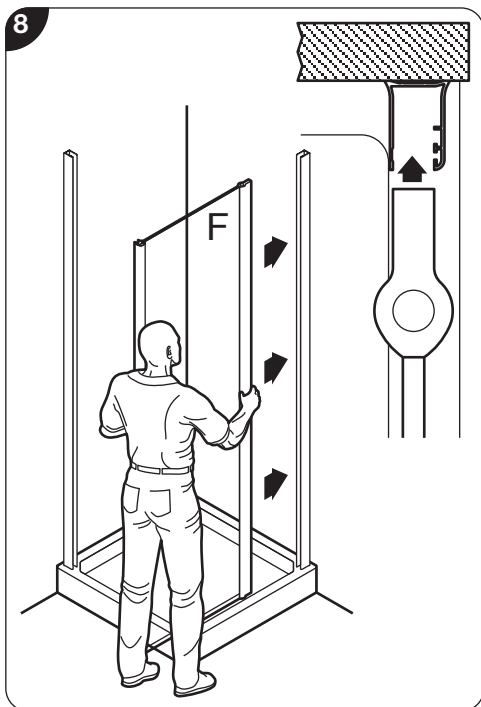
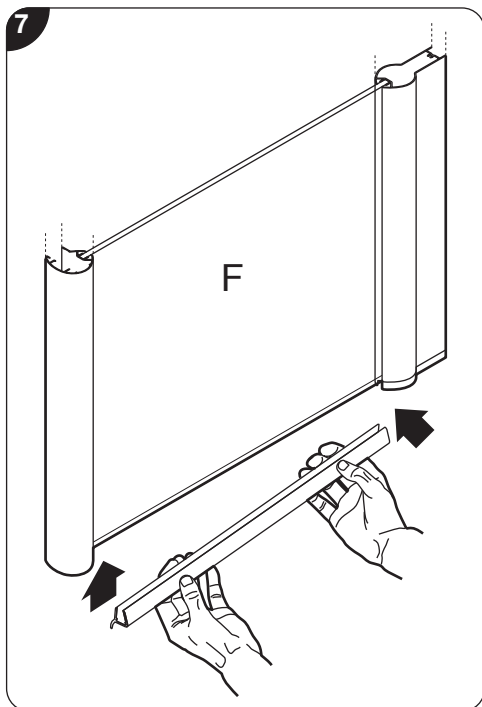
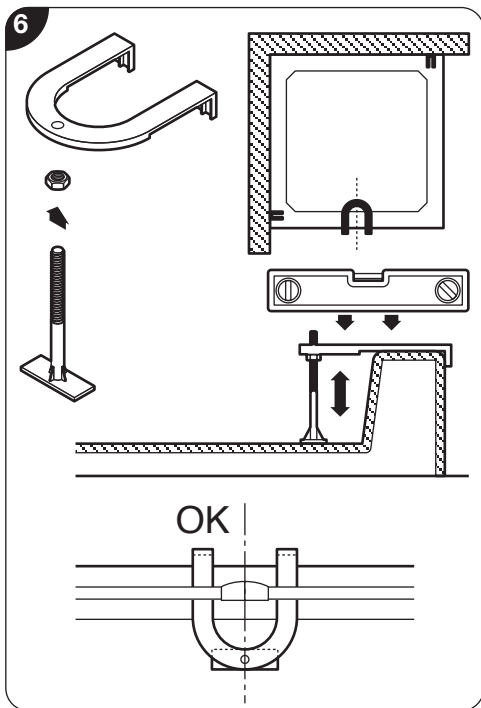
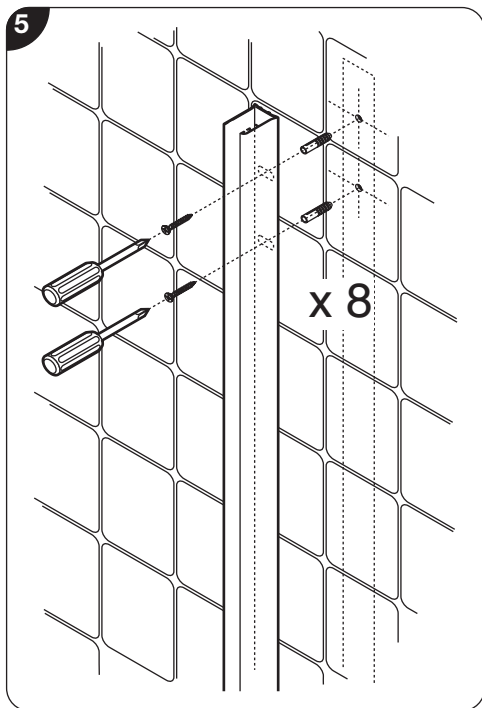
2B+F

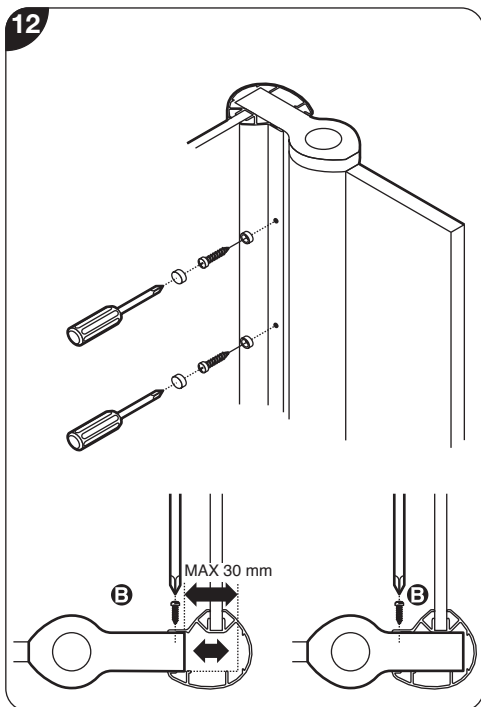
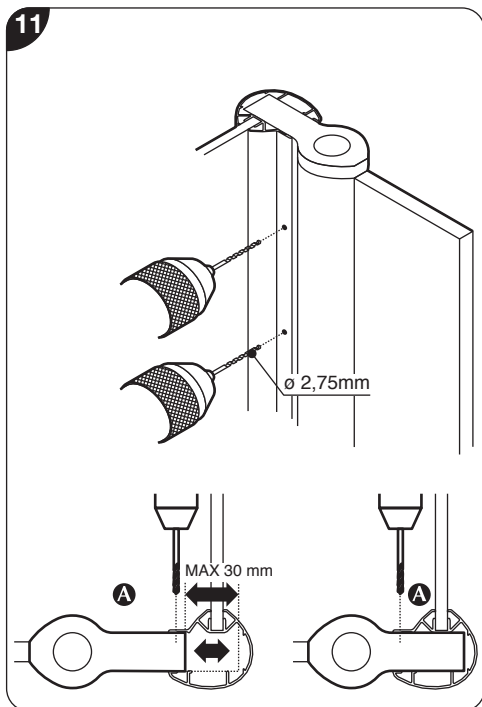
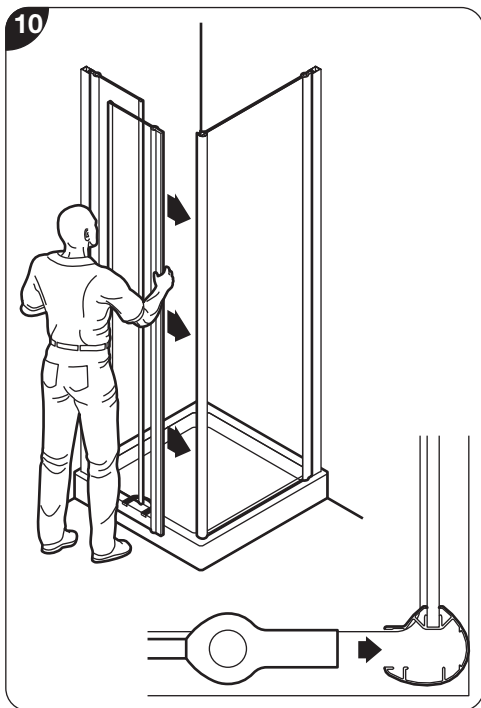
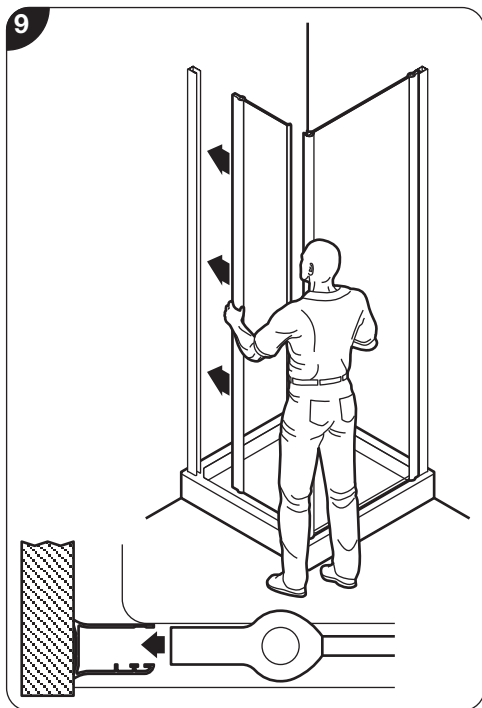


9	R02GIF	1
8	R51GIF	1
7	R02GIC	1
6	R01GIC	1
5	R10GI502	1
4	R52GIR	2
3	R04AUR	2
2	P10DIAST	2
1	P02DIAST	2

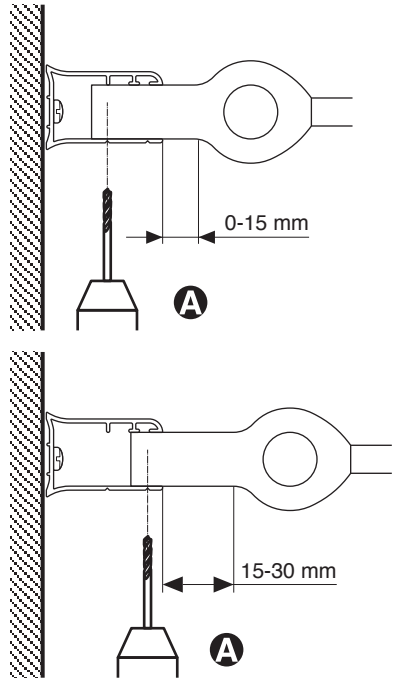
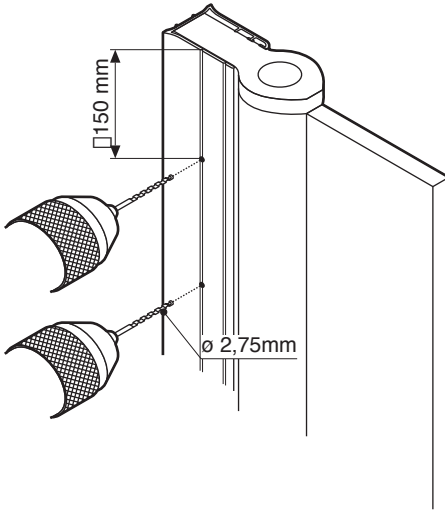




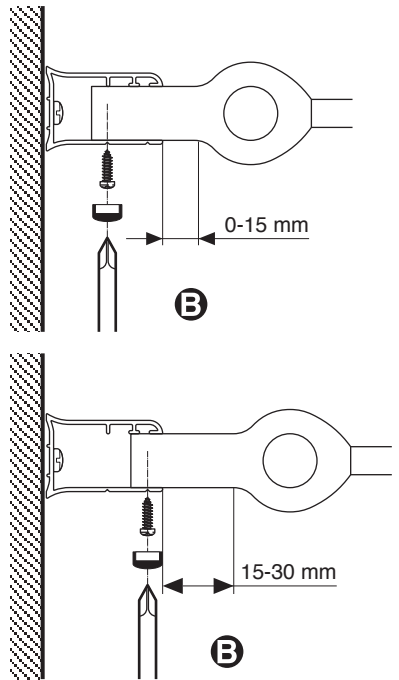
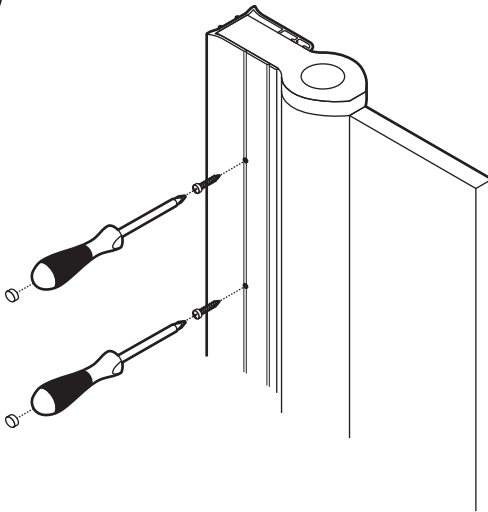


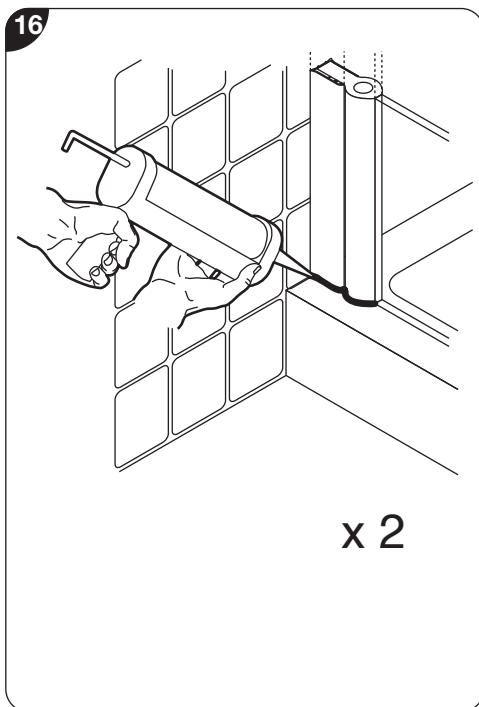
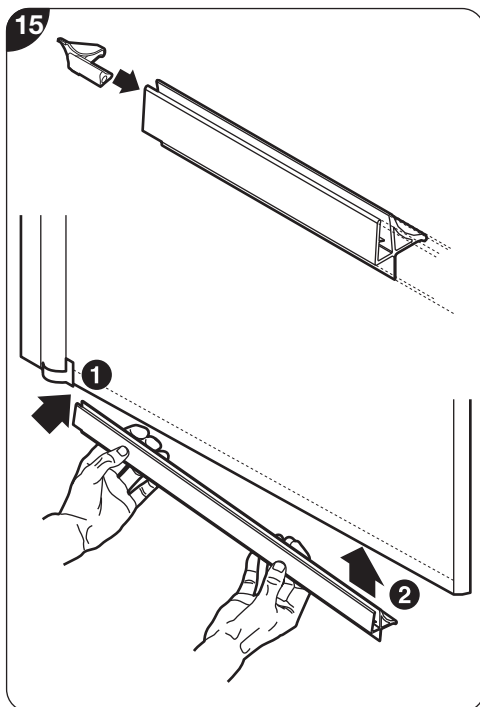


9



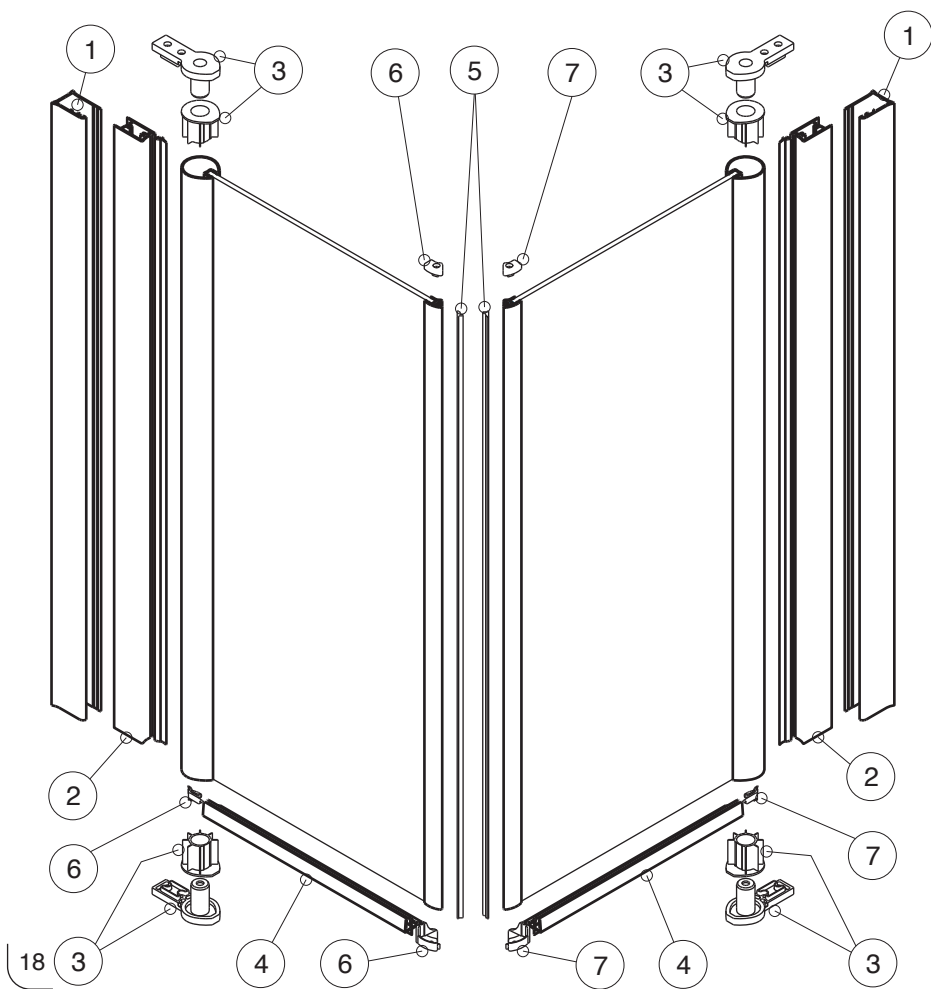
10

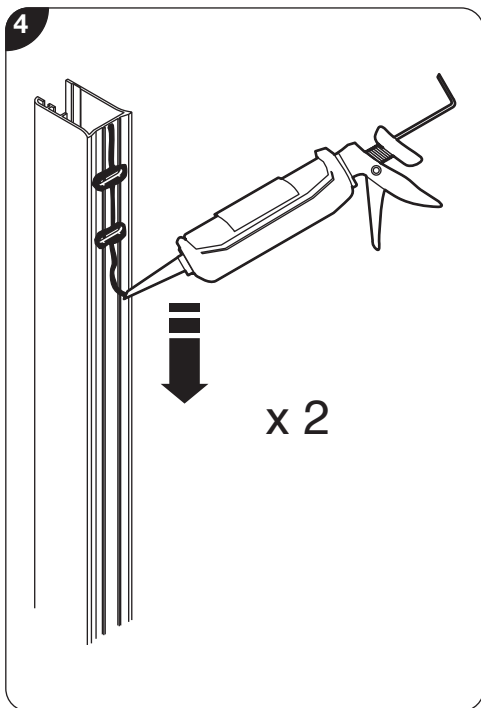
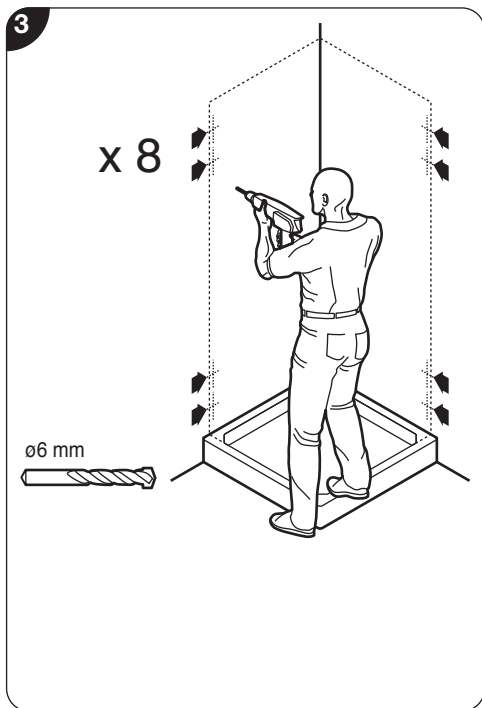
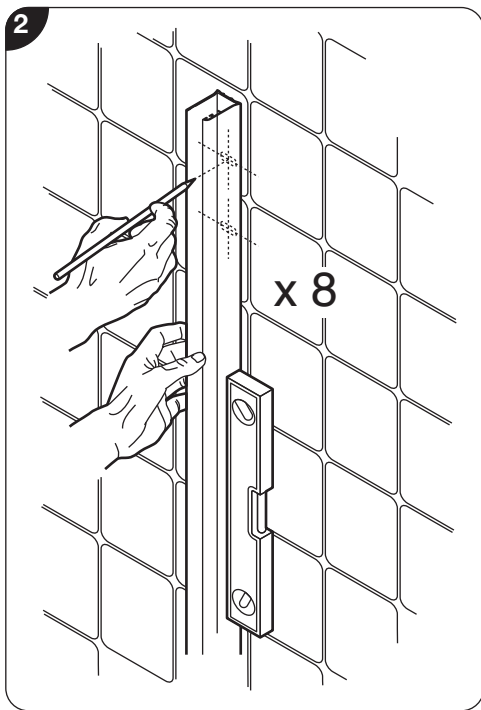
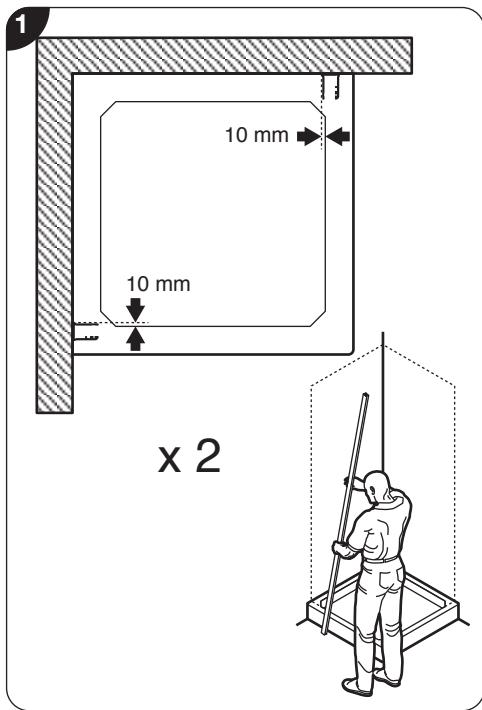


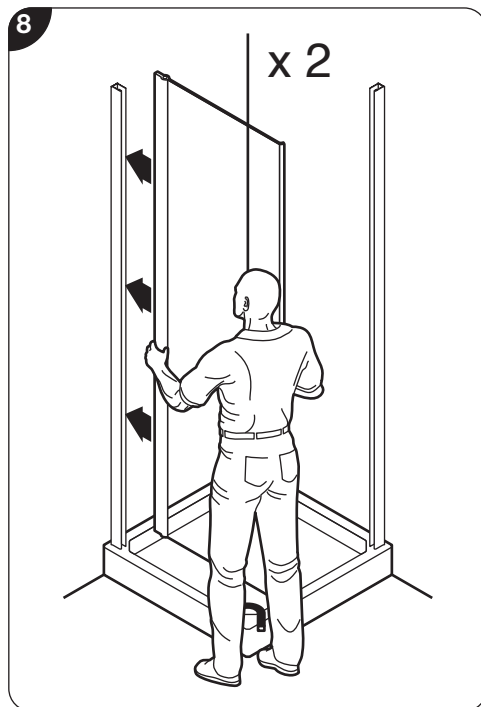
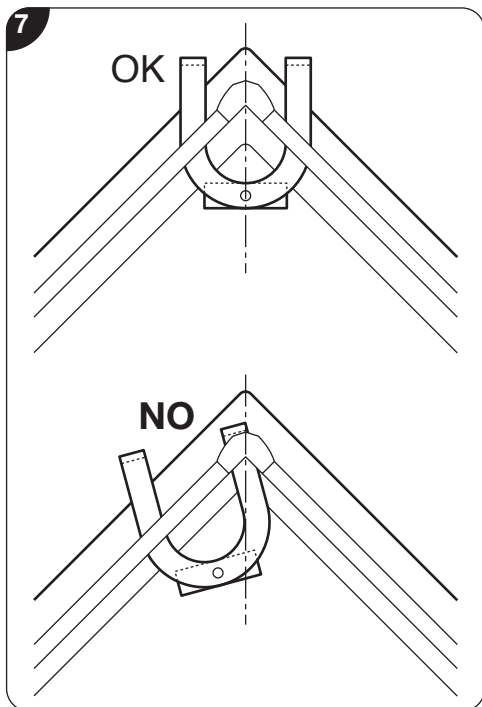
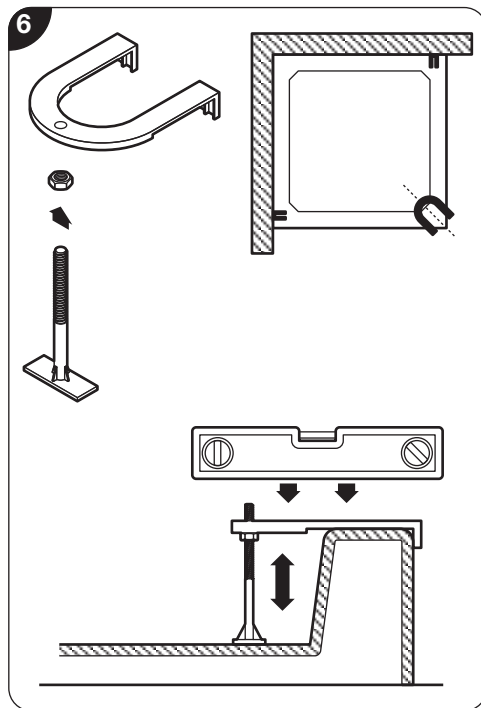
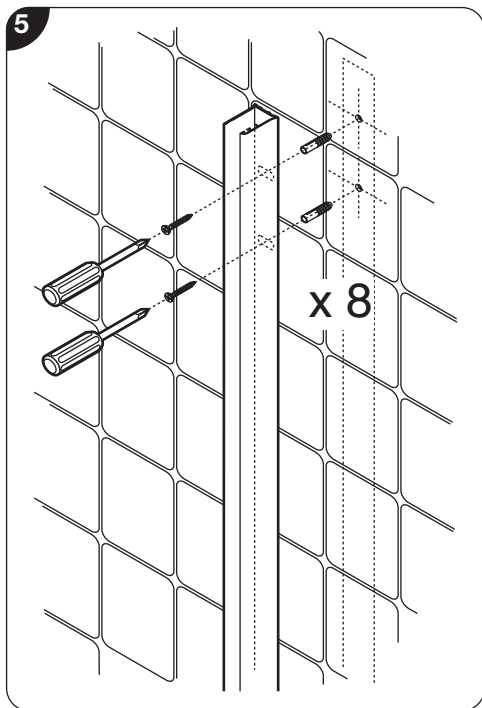




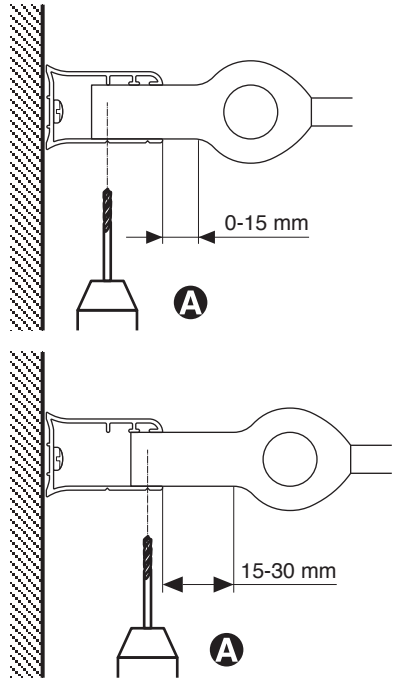
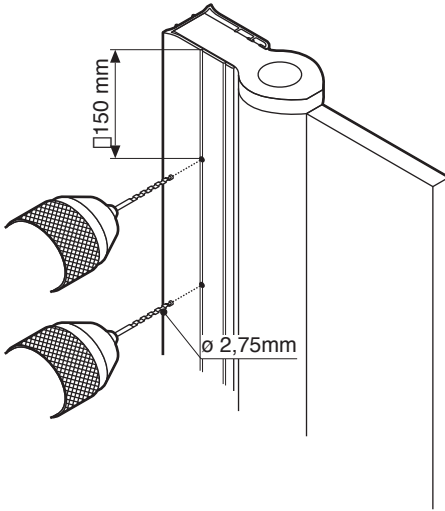
7	R04GIC	1
6	R03GIC	1
5	R10GI502	1
4	R52GIR	2
3	R04AUR	2
2	P10DIAST	2
1	P02DIAST	2



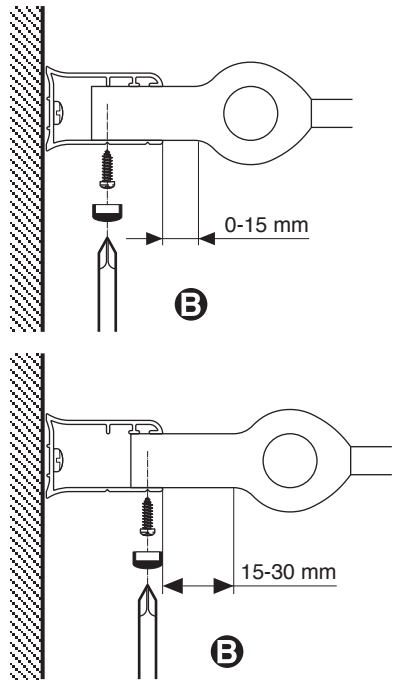
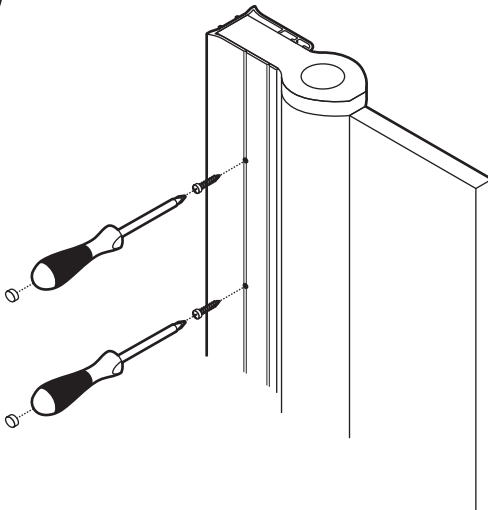


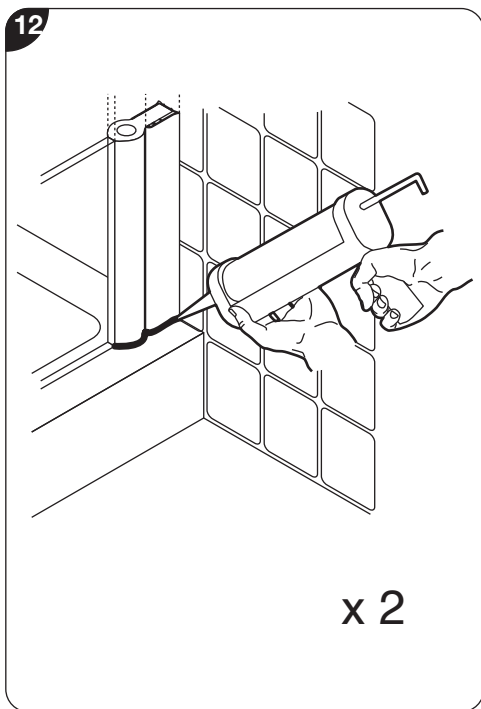
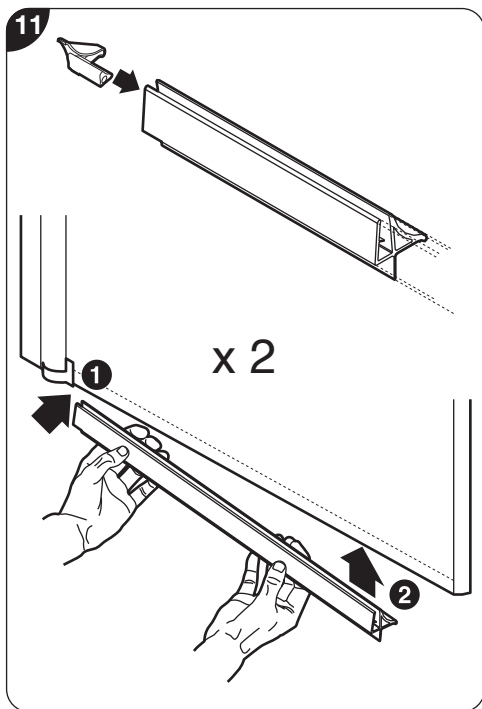


9



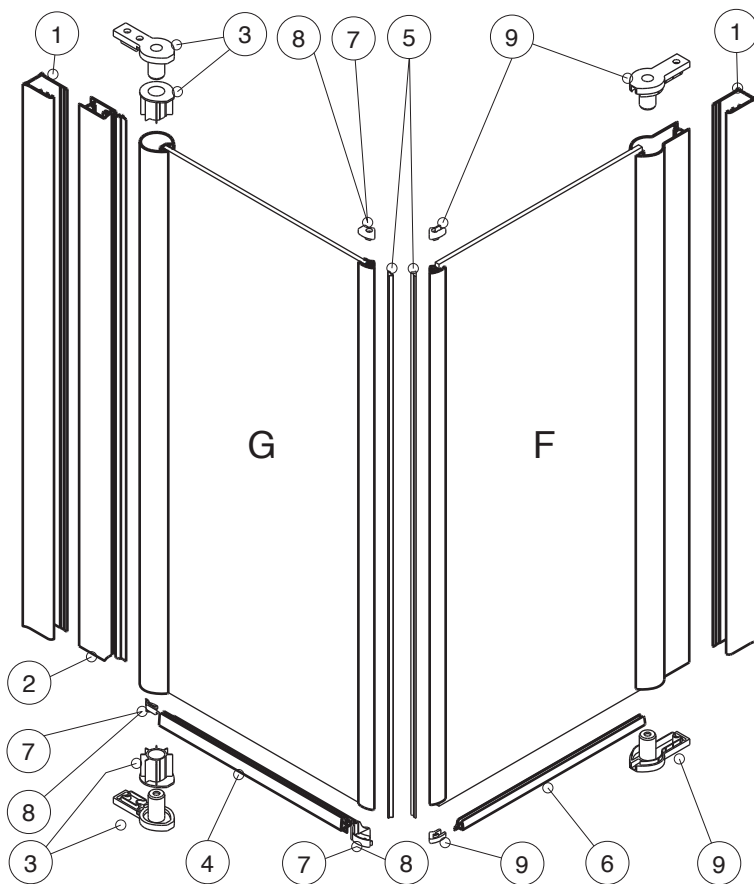
10

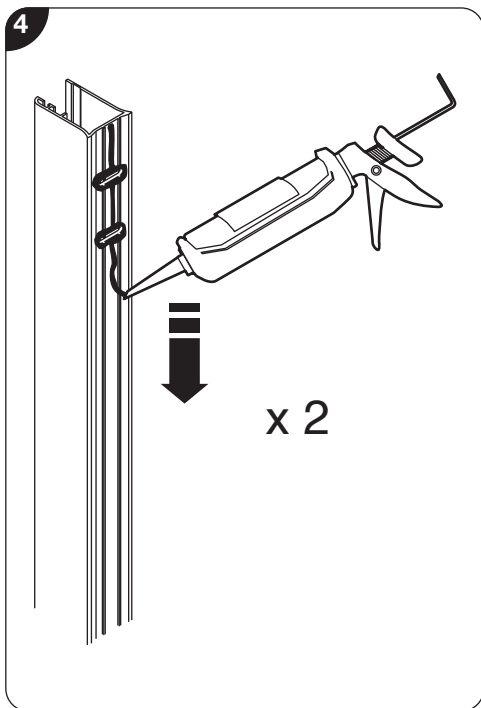
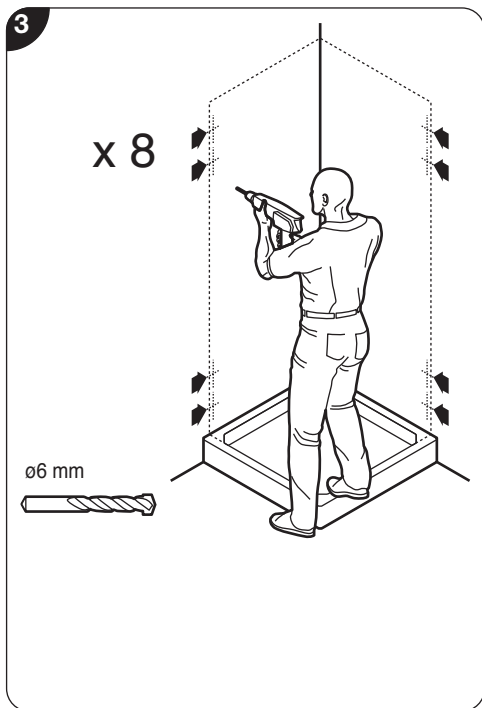
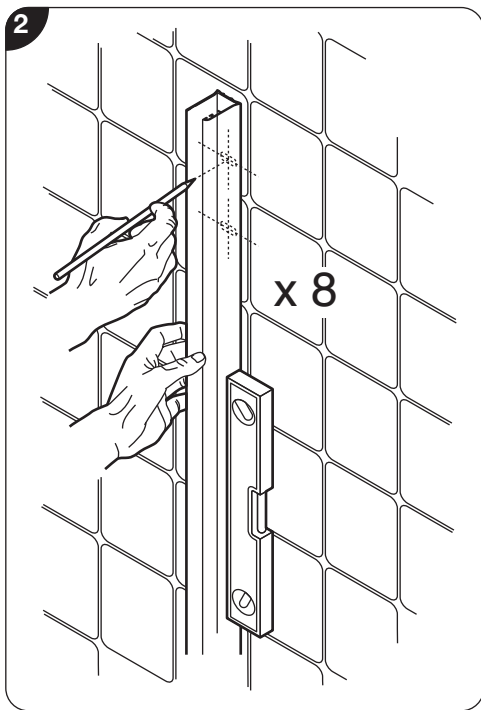
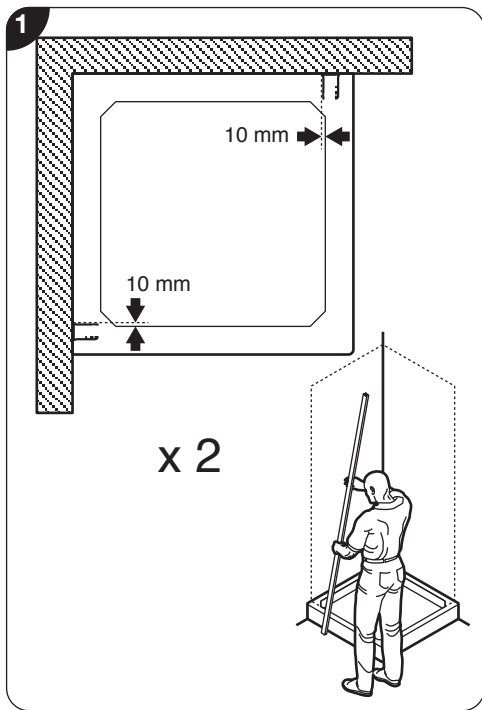


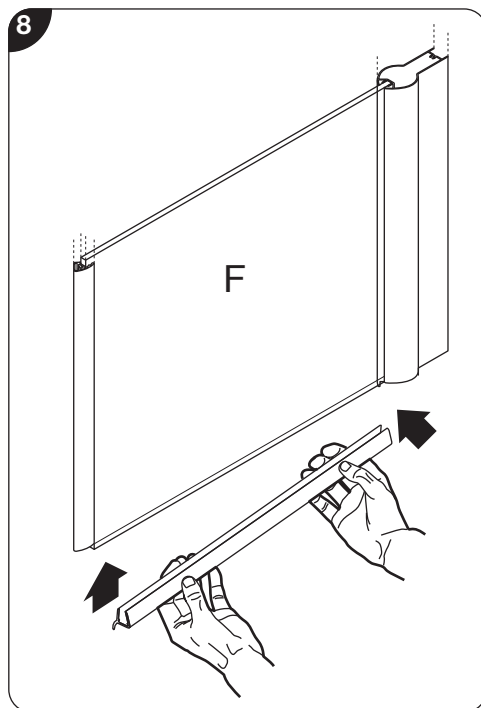
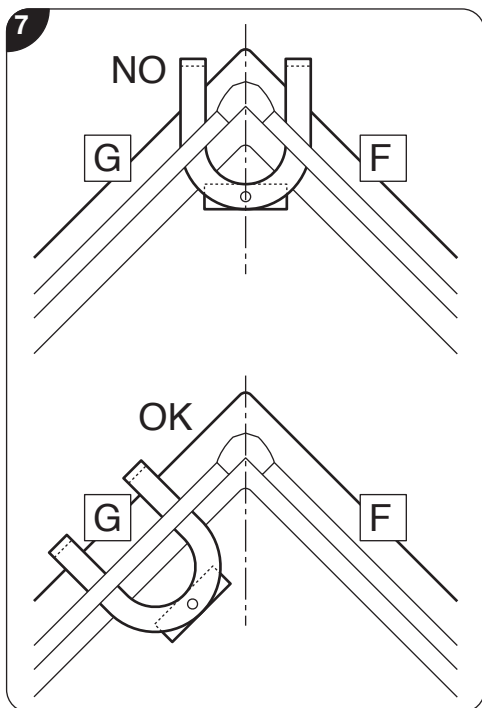
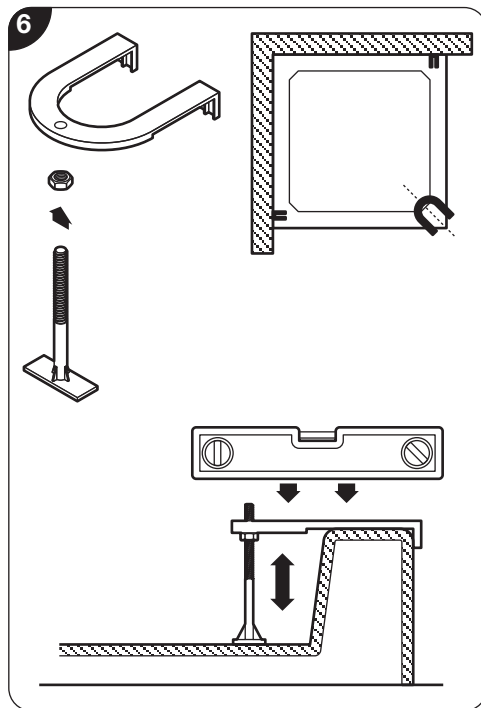
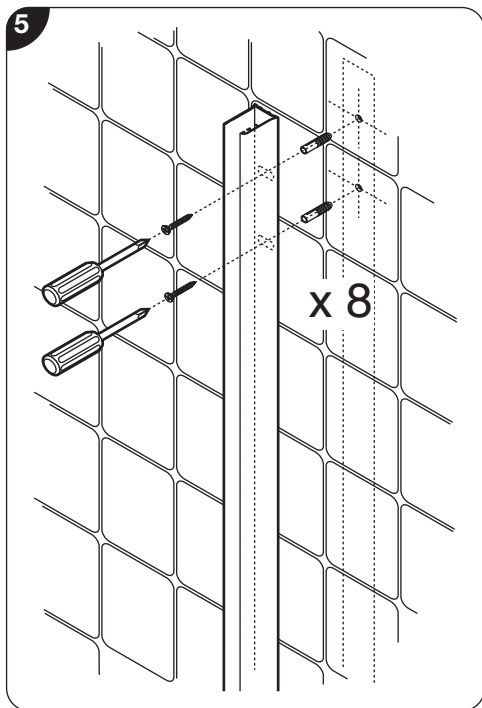


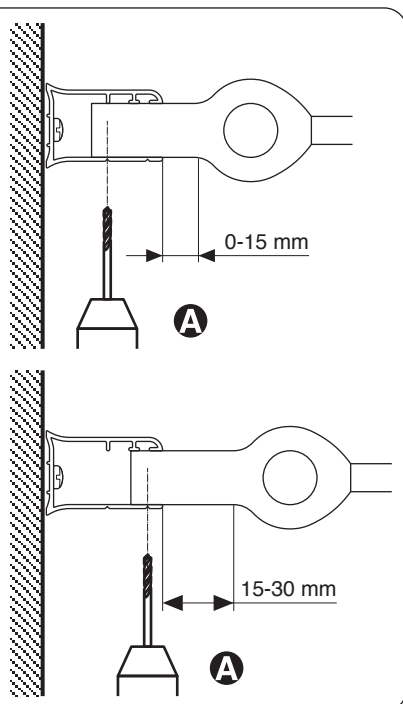
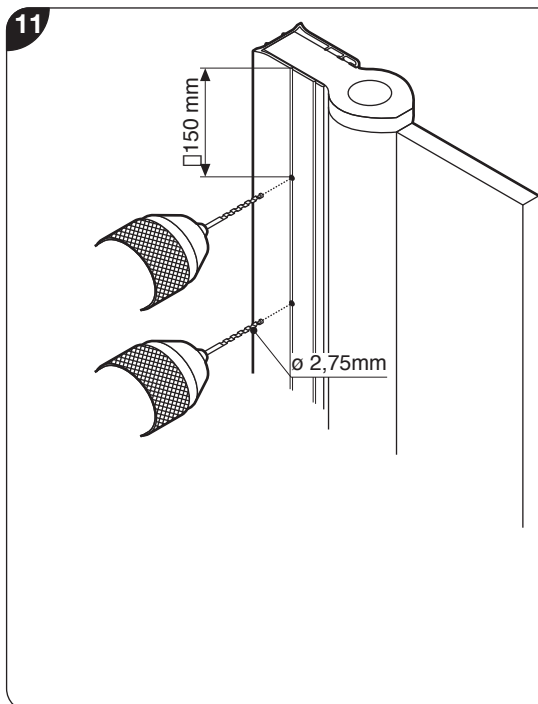
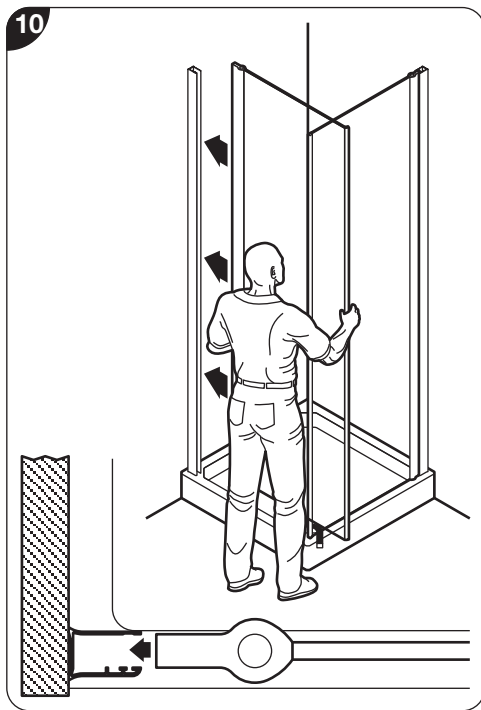
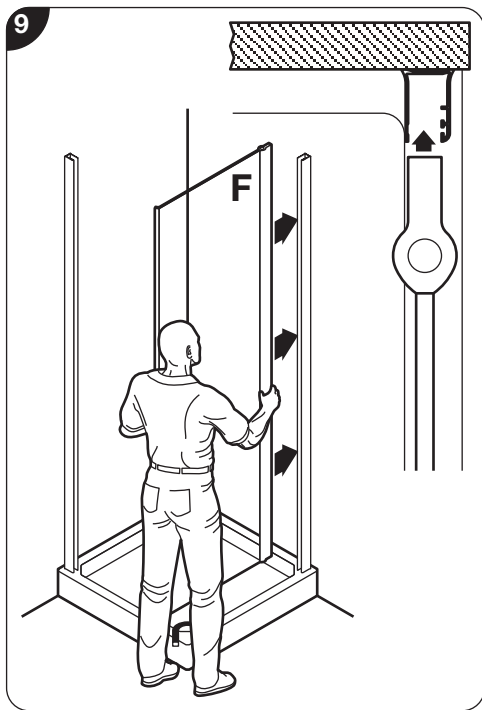


9	R06GIC	1
8	R04GIC	1
7	R03GIC	1
6	R51GIF	1
5	R10GI512	1
4	R52GIR	1
3	R04AUR	1
2	P10DIAST	1
1	P02DIAST	2

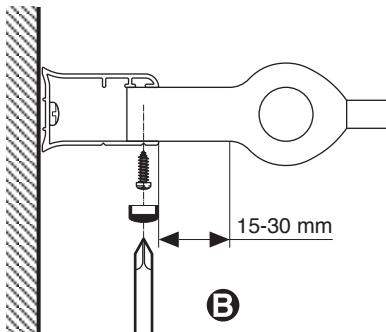
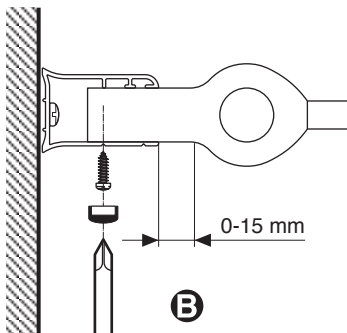
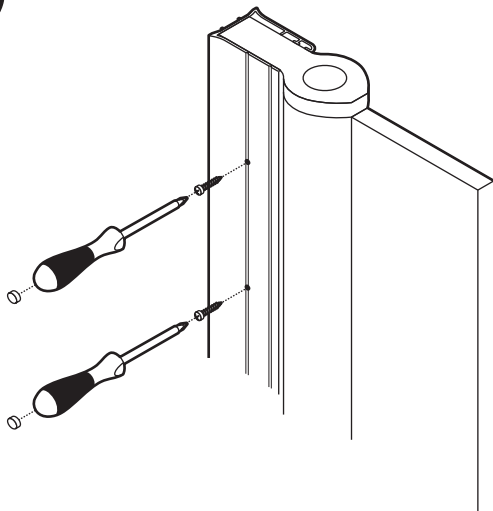




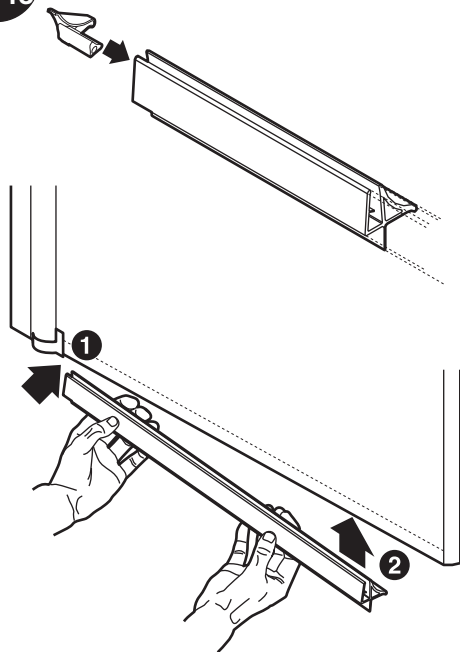




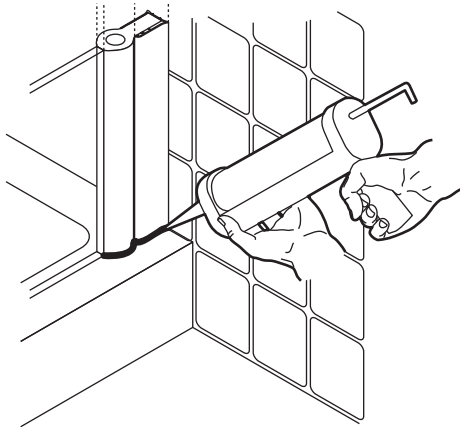
12



13



14

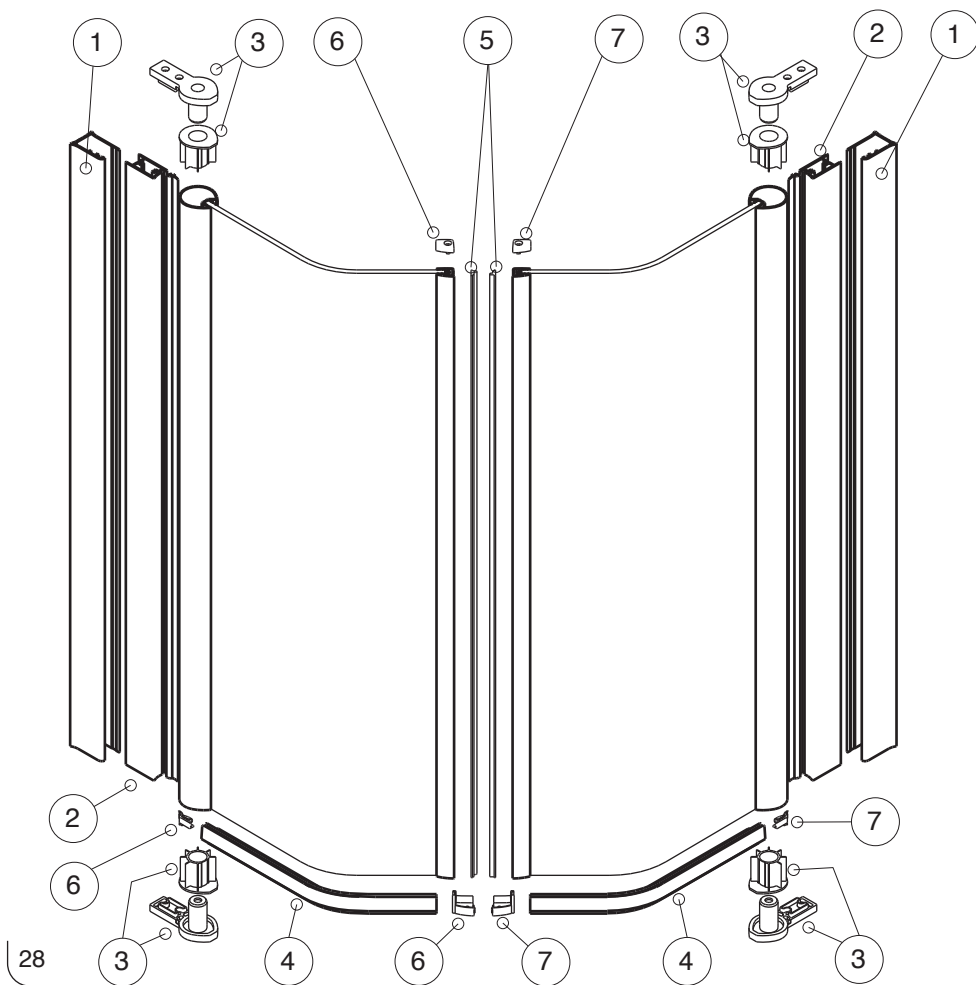


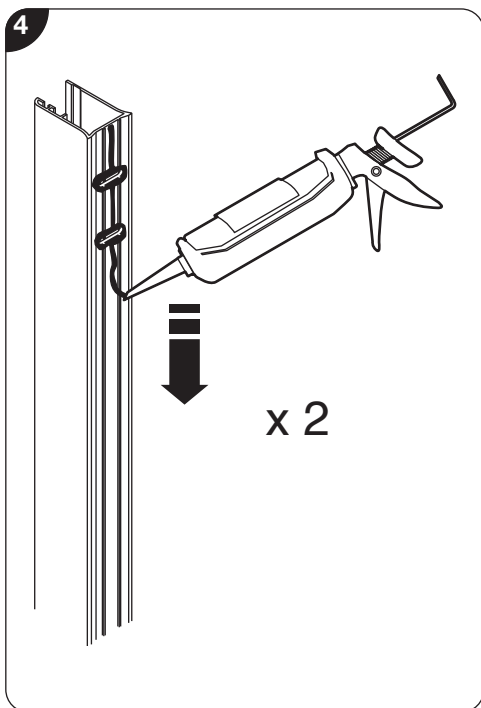
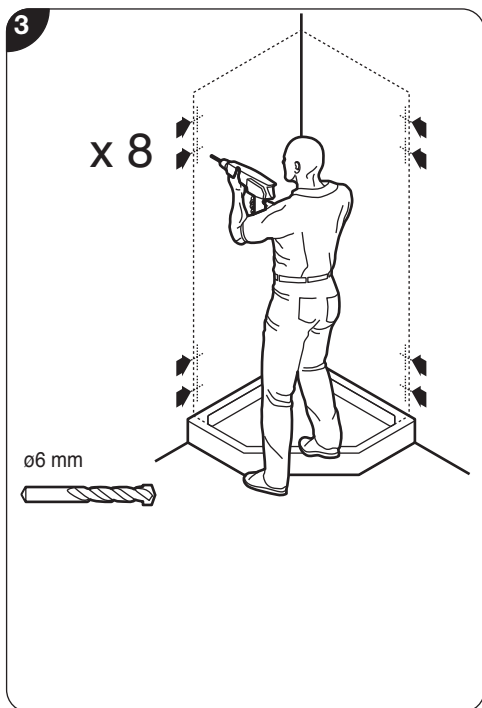
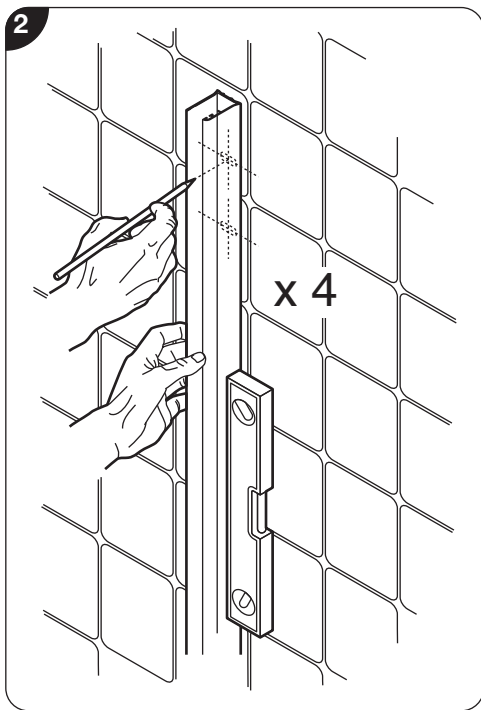
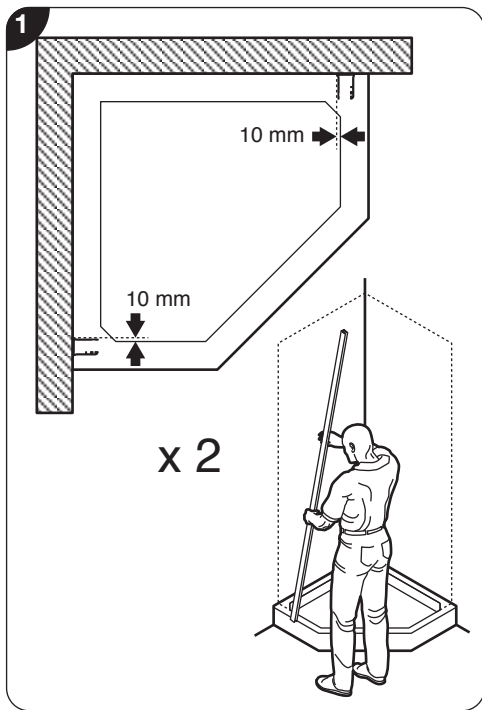
x 2

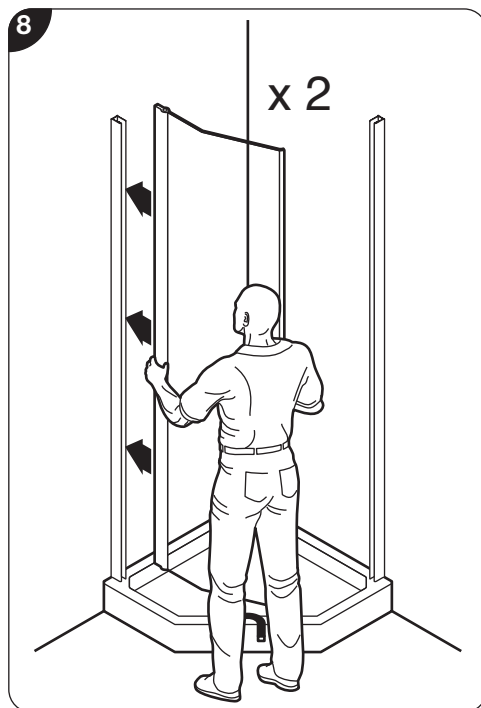
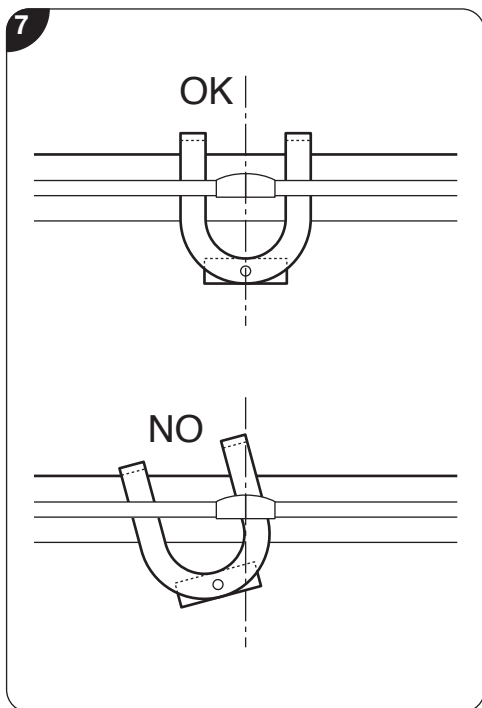
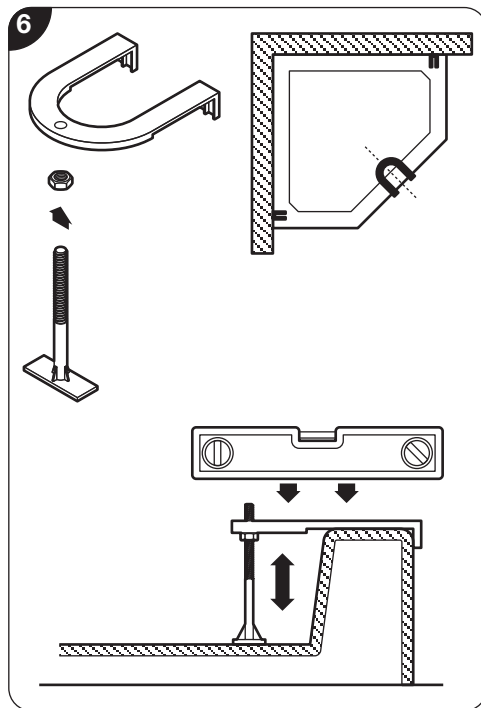
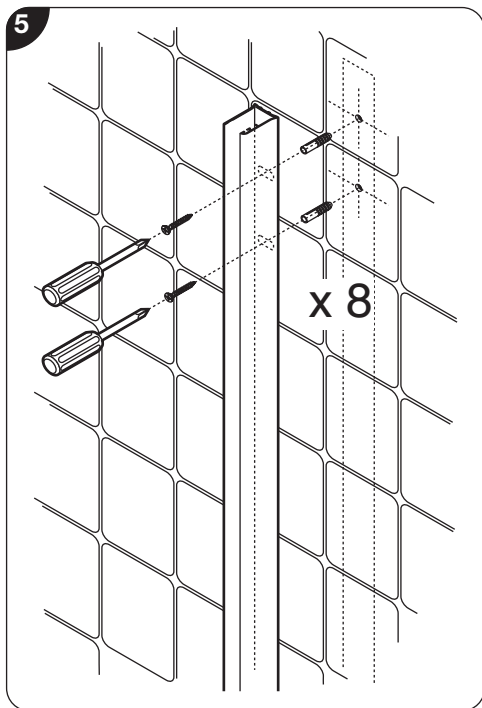
P 90 / P 100



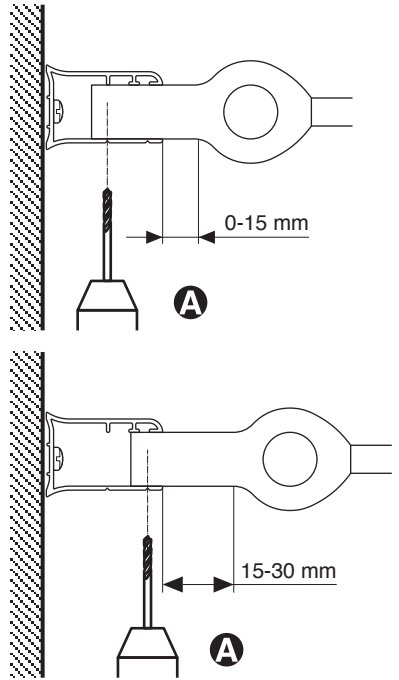
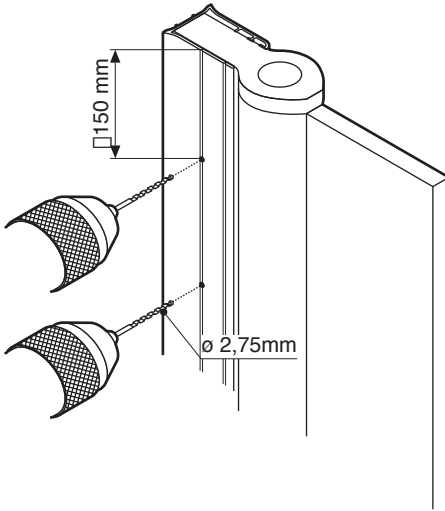
7	R02GIC	1
6	R01GIC	1
5	R10GI502	1
4	R51GPE901	1
4	R51GPE1001	1
3	R04AUR	2
2	P10DIAST	2
1	P02DIAST	2



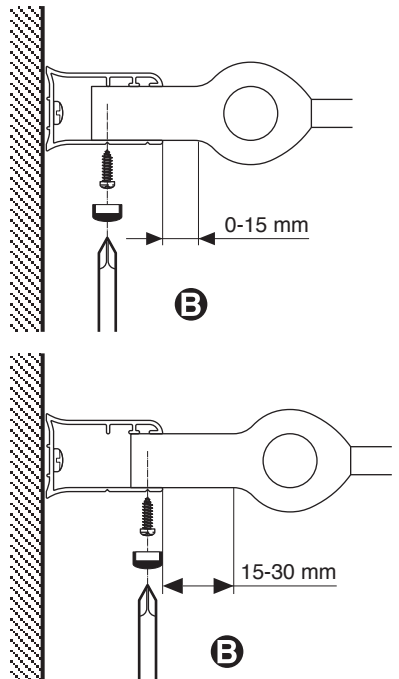
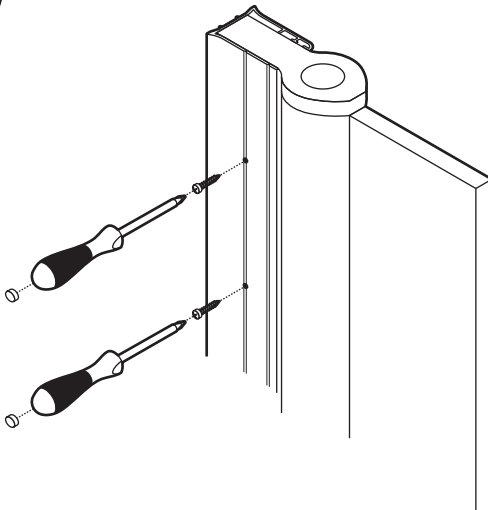


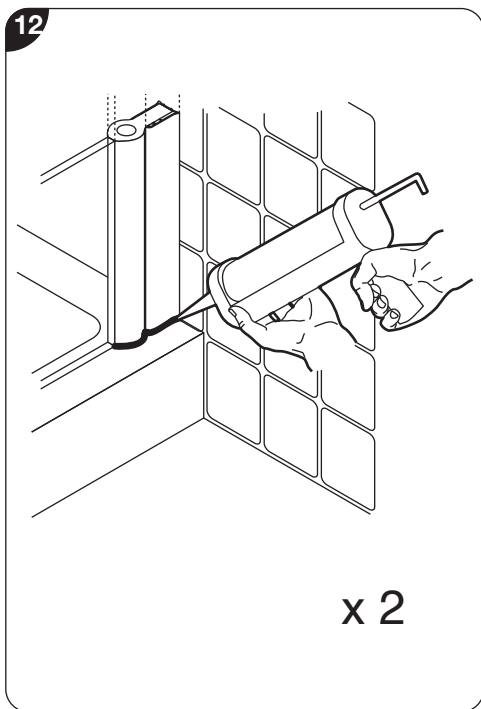
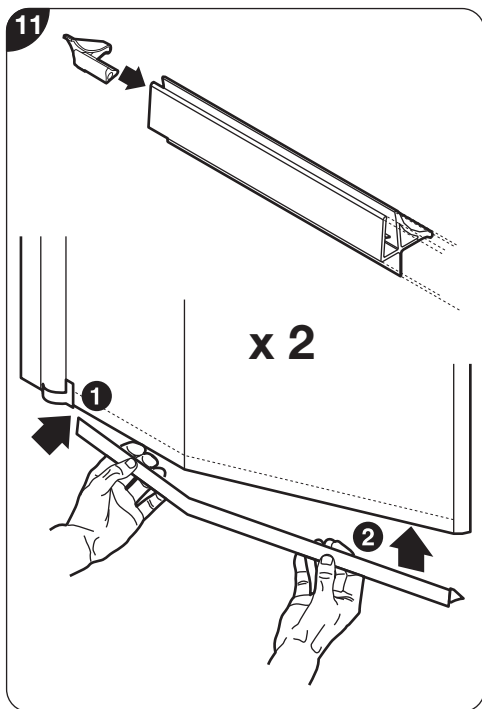


9



10

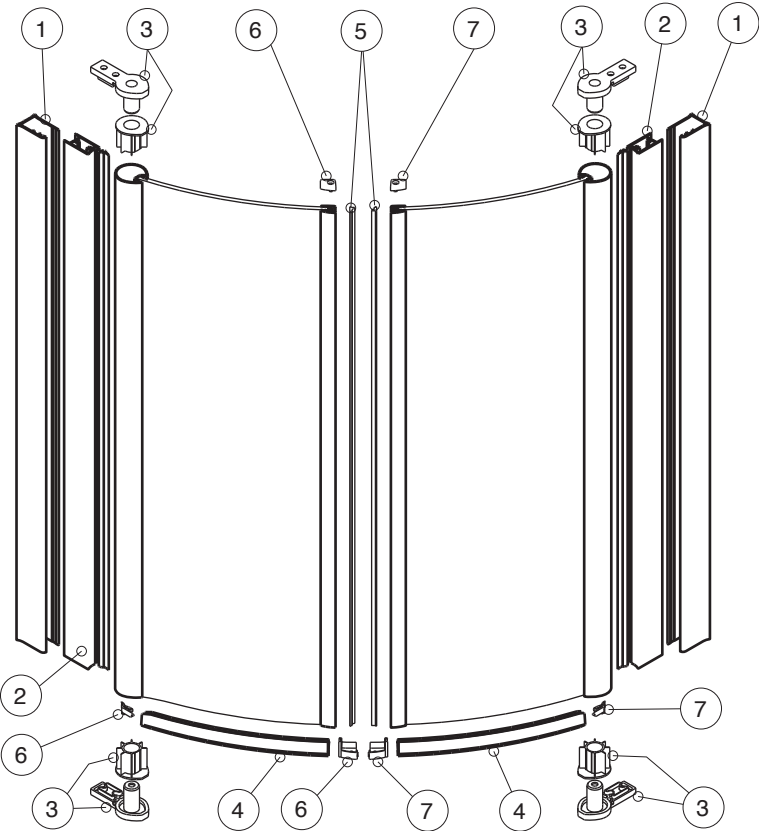


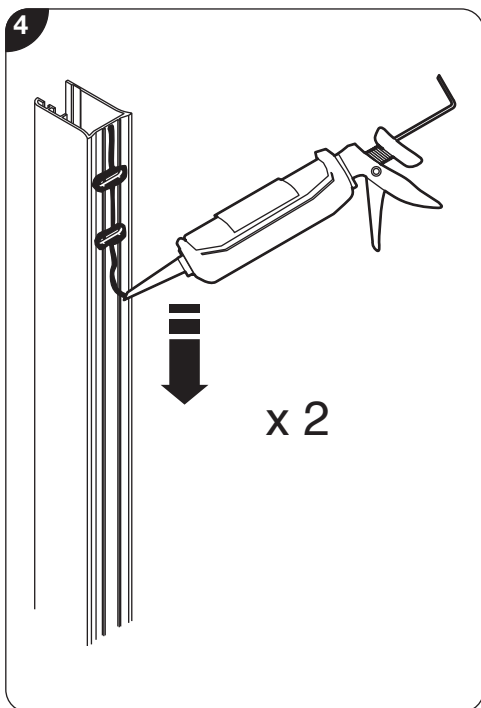
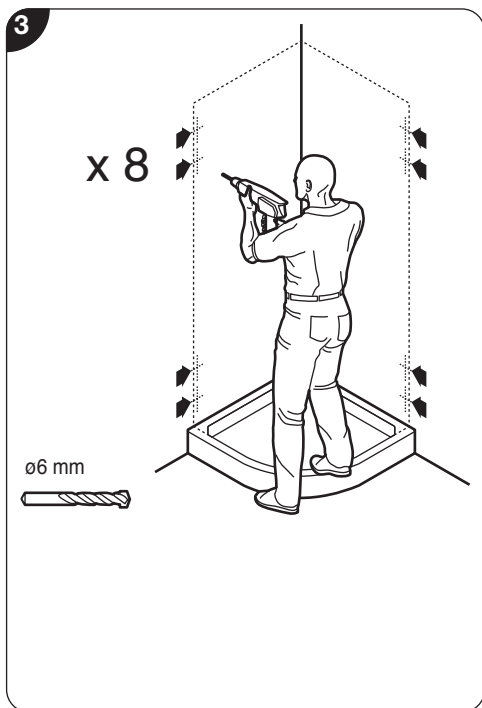
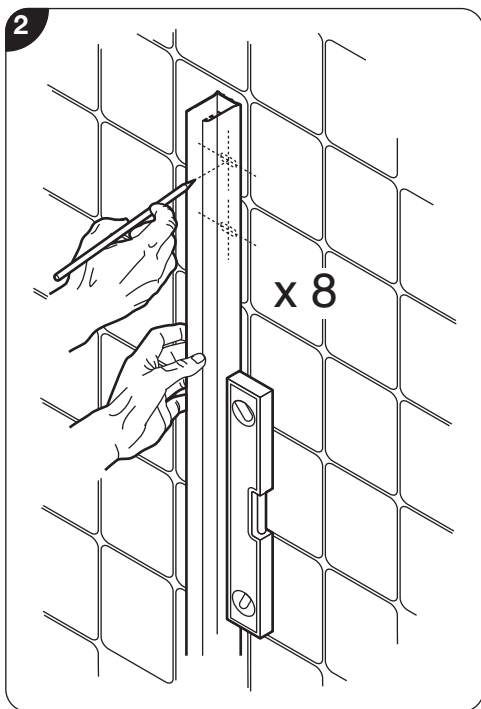
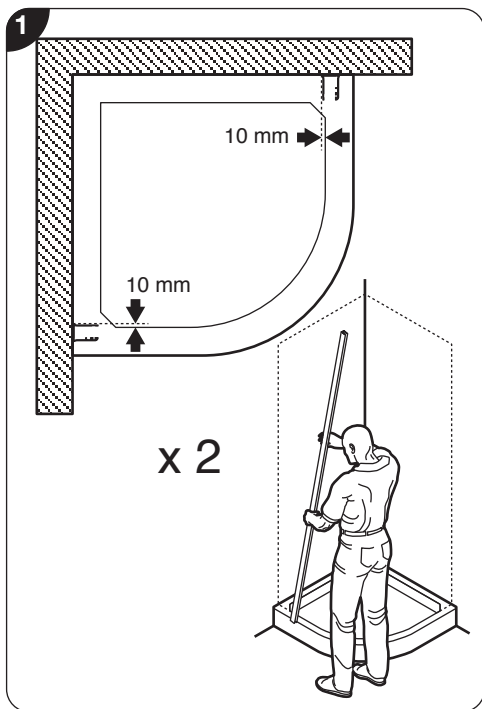


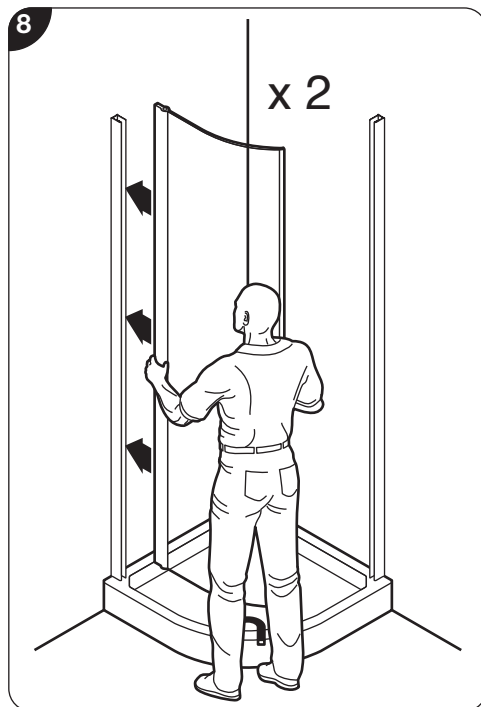
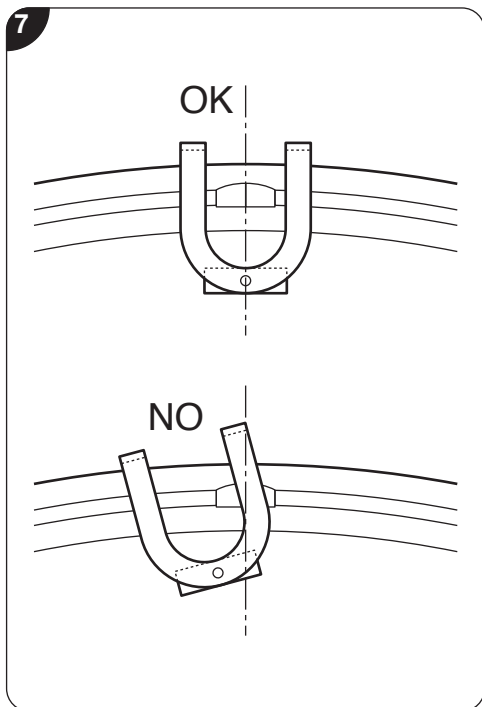
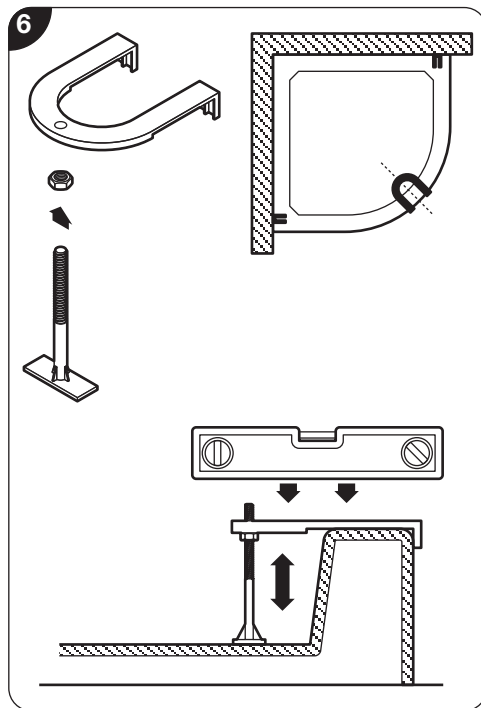
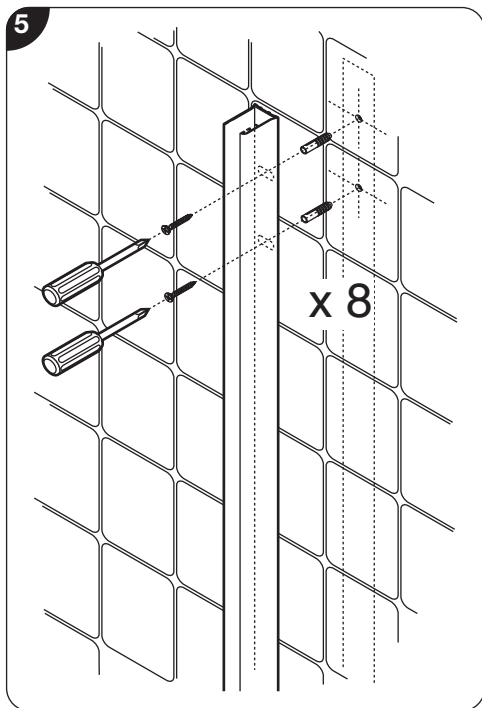
ROND



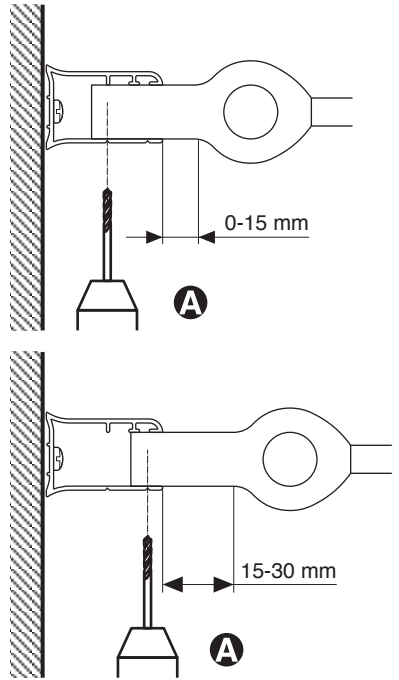
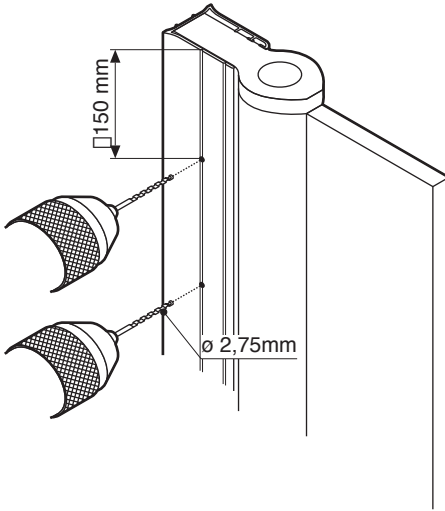
7	R02GIC	1
6	R01GIC	1
5	R10GI502	1
4	R51GIR90751	1
4	R51GIR75901	1
4	R51GIR1001	1
4	R51GIR031	1
4	R51GIR011	1
3	R04AUR	2
2	P10DIAST	2
1	P02DIAST	2



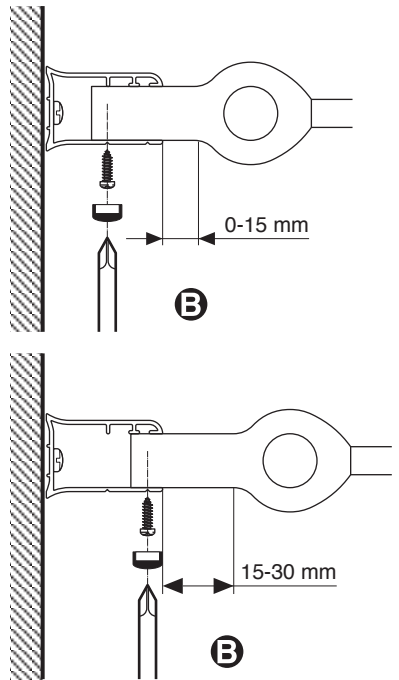
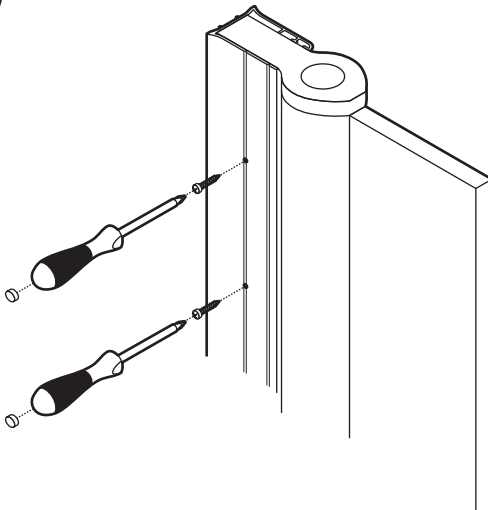


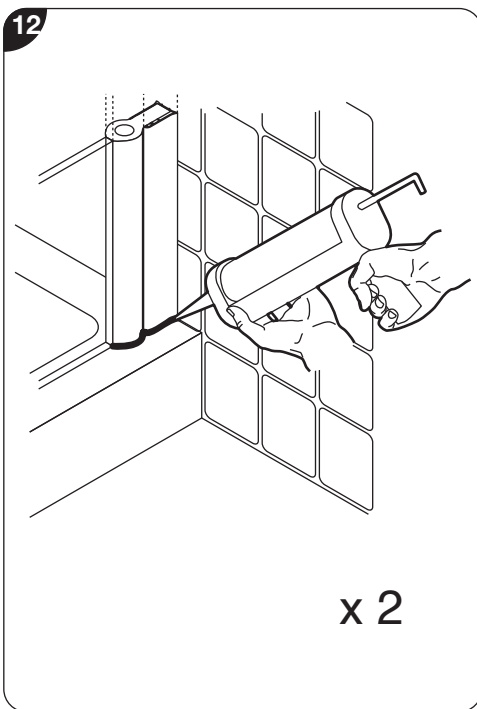
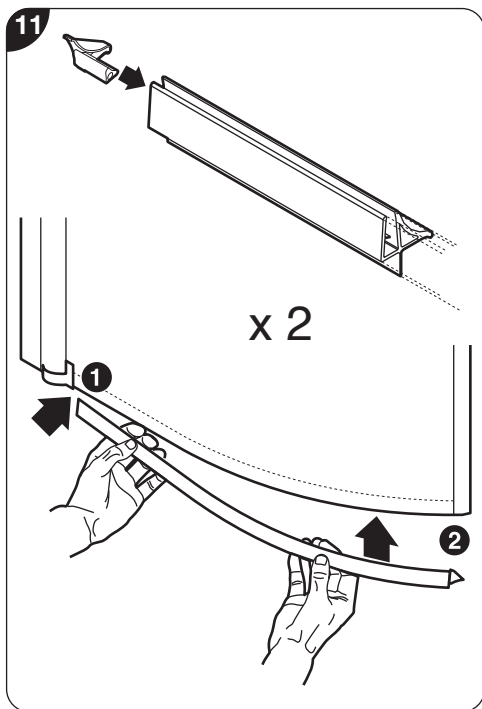


9



10





Note:

A series of horizontal dashed lines for writing notes.

