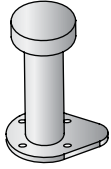


RAISED INSTALLATION - Panel Pack H

Parts Supplied:



9x

M4*14mm
36x

4x

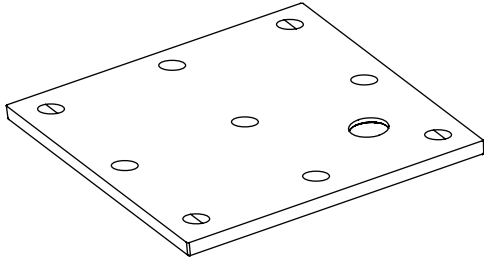


1x



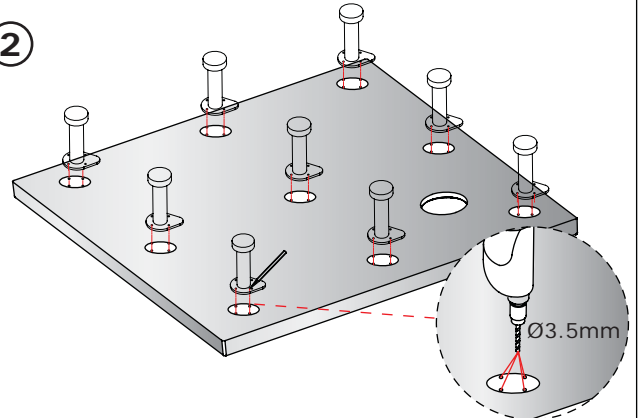
1x

①



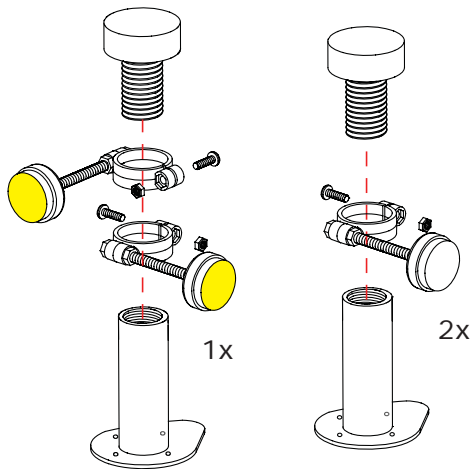
Turn the tray over and use the cardboard packaging as a protective mat. Note the circles that have been marked to indicate feet position. The symbol \ominus indicates where you should fix the feet with the panel fixing rod, but for the symbol $\omin�$ you will only use three of these positions and the fourth would be supplemented with a foot without the panel fixing rod.

②



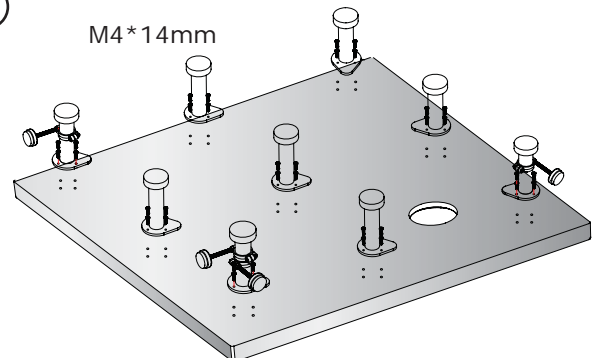
Using the appropriate foot as a guide mark with a pencil the fixing hole positions, and then using a 3.5 diameter bit drill to a maximum depth of 5mm. DO NOT OVER DRILL PAST THE 5MM DEPTH.

③



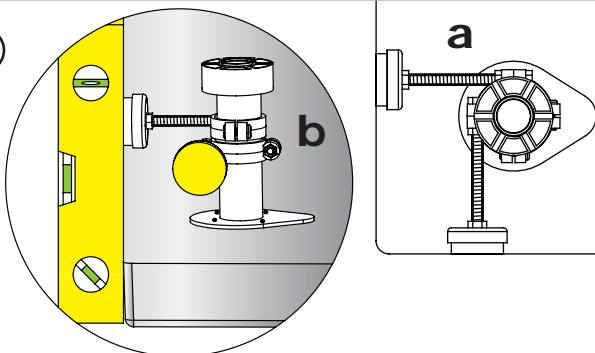
Assemble the panel fixing rods to the feet.

④



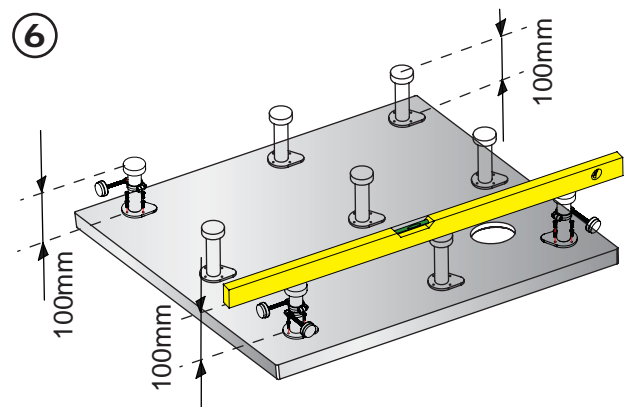
Screw the feet in position with the screws provided. Ensure that the foot that has two panel fixing rods attached, is placed in the corner where the panels will meet.

⑤



a: Ensure the panel fixing rods are located at 90° to the edge of the tray as shown above.
b: Ensure the face of the panel fixing rods is lined up with outside edge of the tray as shown above.

⑥



When all of the feet have been fitted, the feet in the corner positions should be adjusted to 100mm.