

PLIEGER

COMPOSITION

- Chromed brass body

OPERATING CHARACTERISTICS

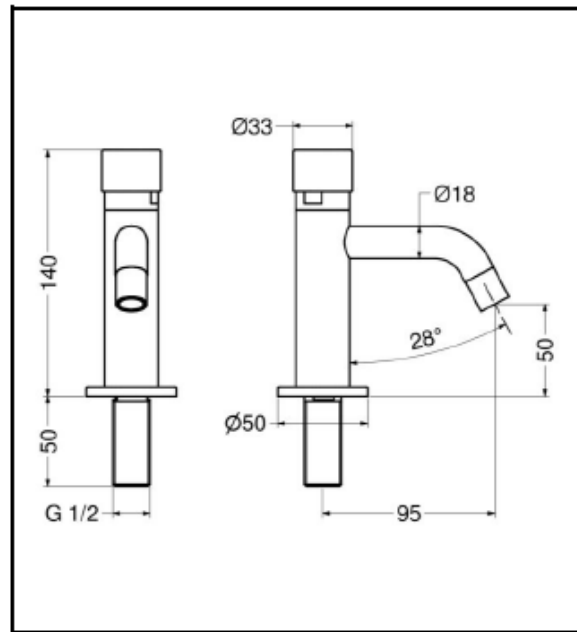
Flow rate: 6 l/min (w/flow regulator)

Operating pressure: Min 1 – max 6 bar

Recommended pressure: 2 – 4 bar

Water inlet temperature: 5 – 65 °C

Flow time: 15 sec. @ 3 bar
(tolerance as stated in EN 816: 15 ± 5 sec.)



PREMISCELATORE MECCANICO / Mechanical mixer / Mezclador mecánico / Pré-mitigeur mécanique

