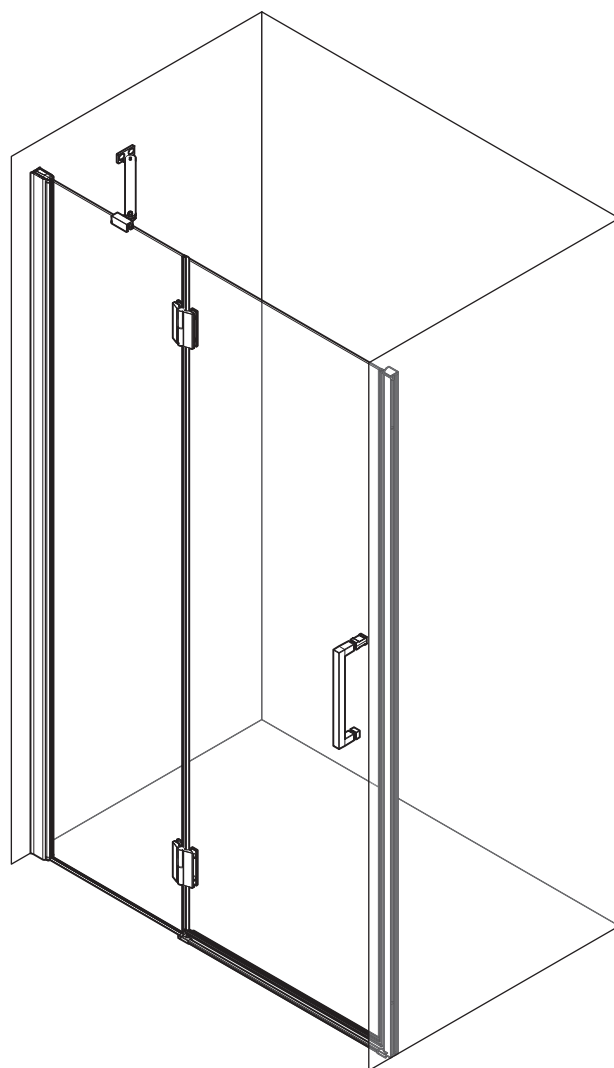
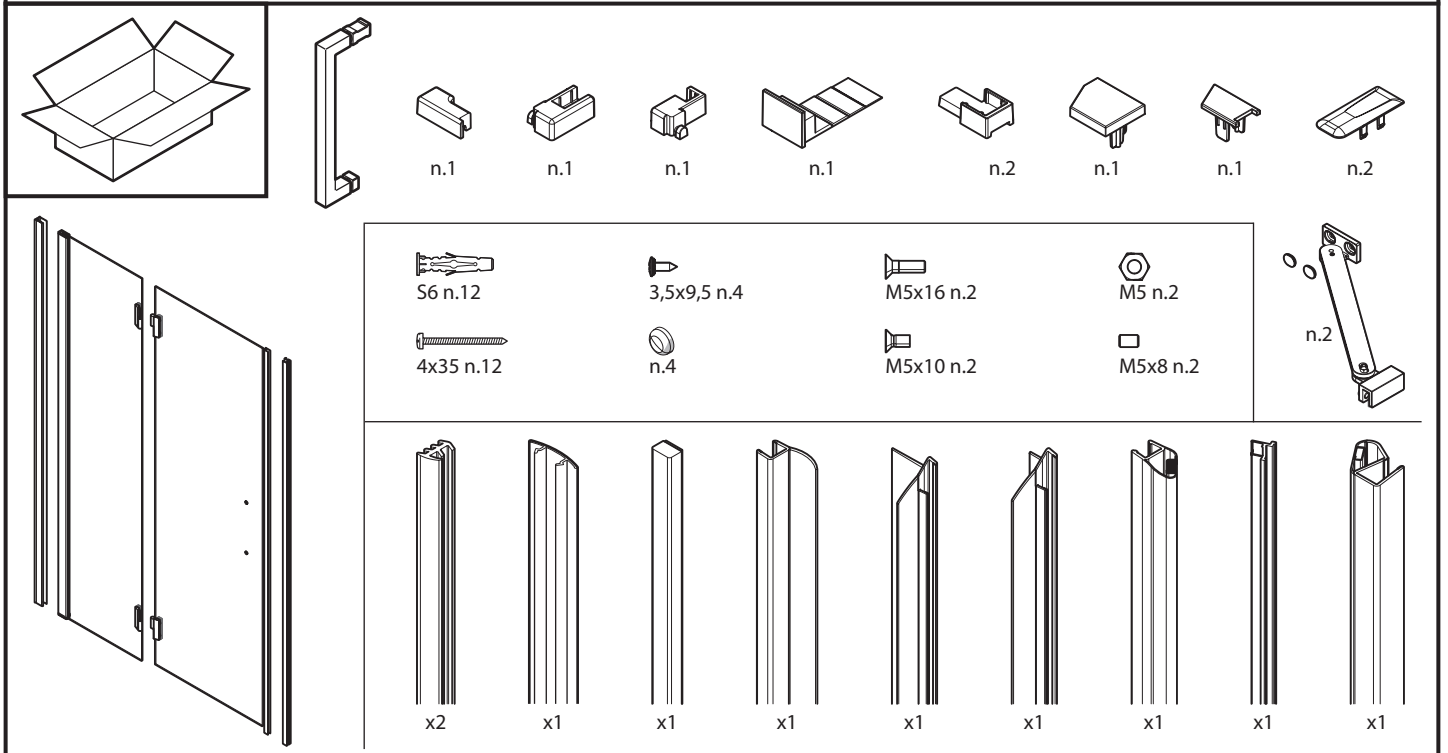
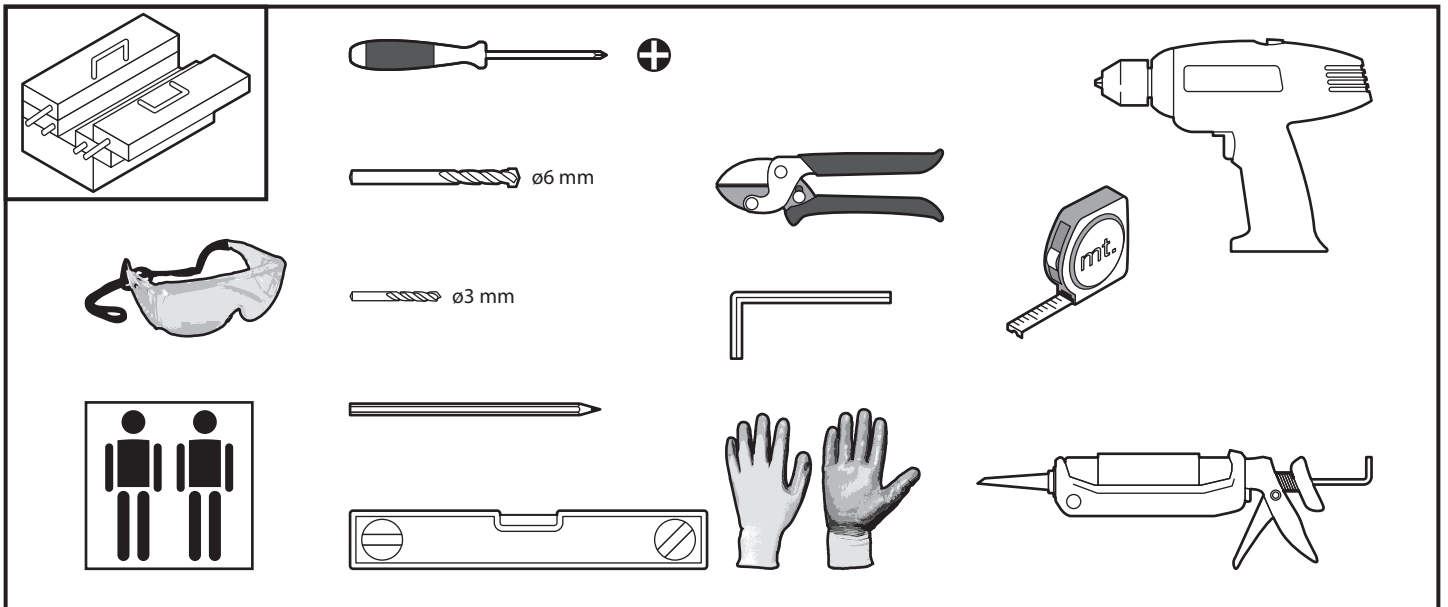


 Pag. 3



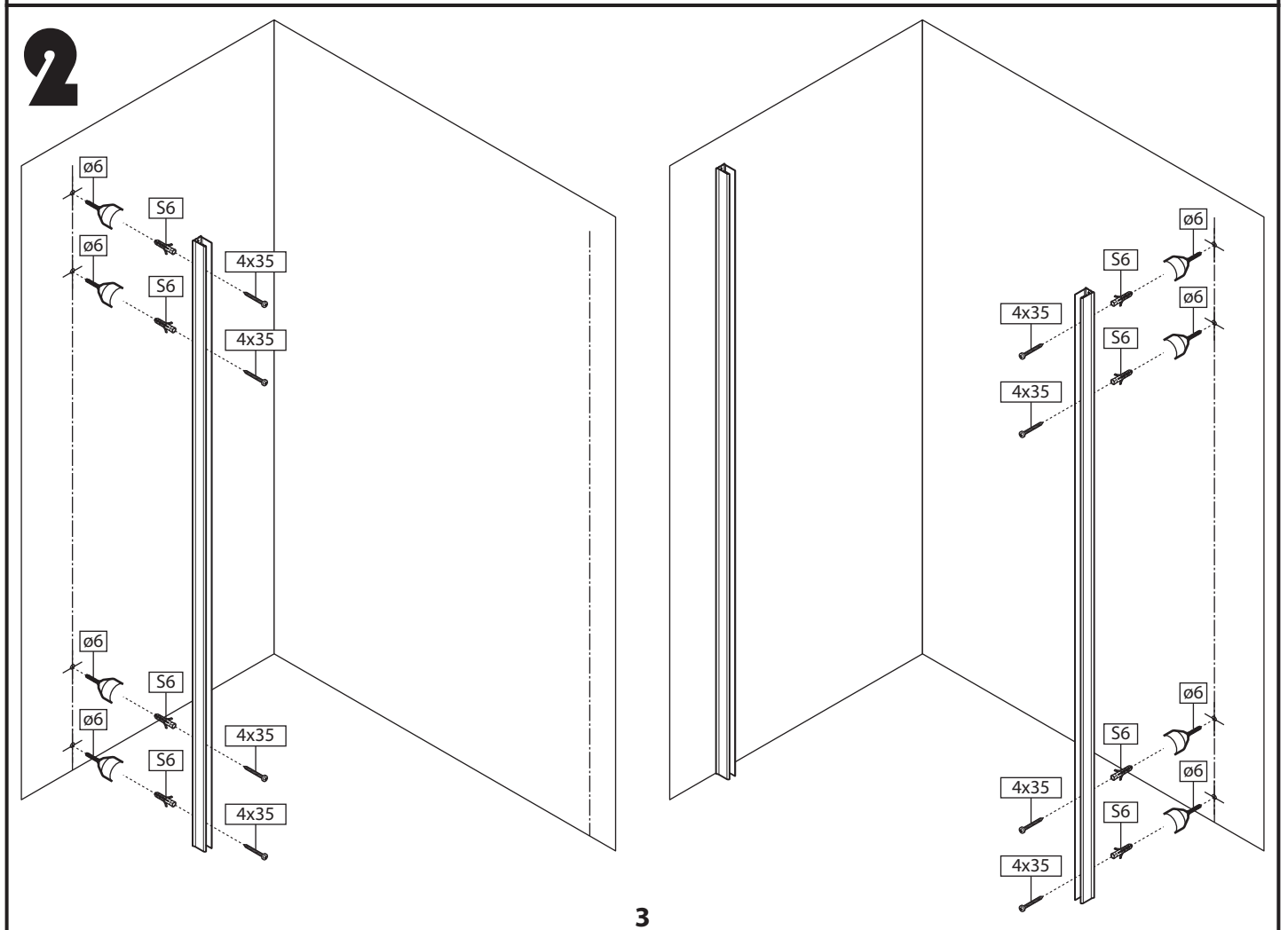
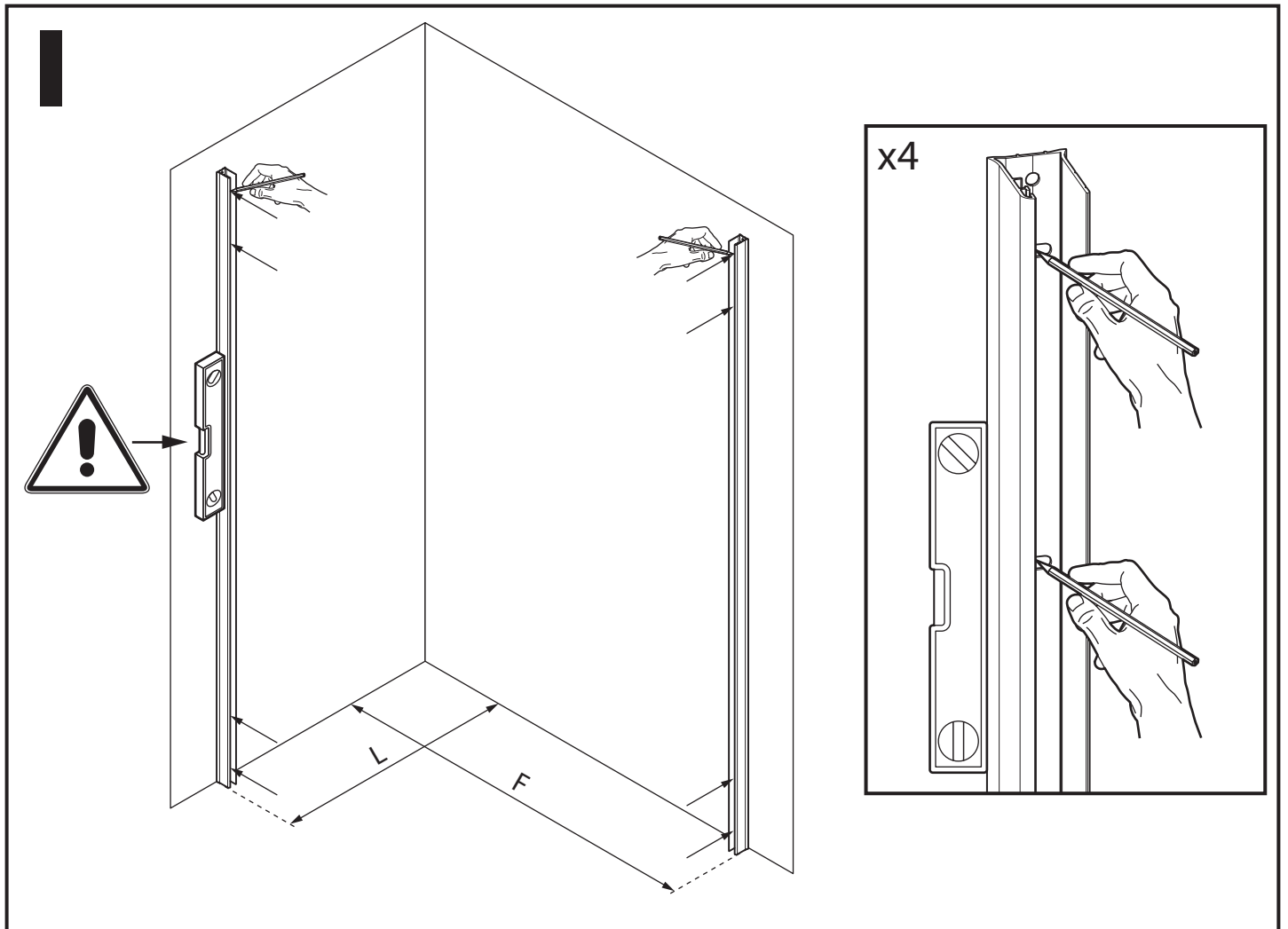
 Pag. 11

<hr/> <hr/> <hr/> <hr/>	<hr/> <hr/> <hr/> <hr/>
-------------------------	-------------------------

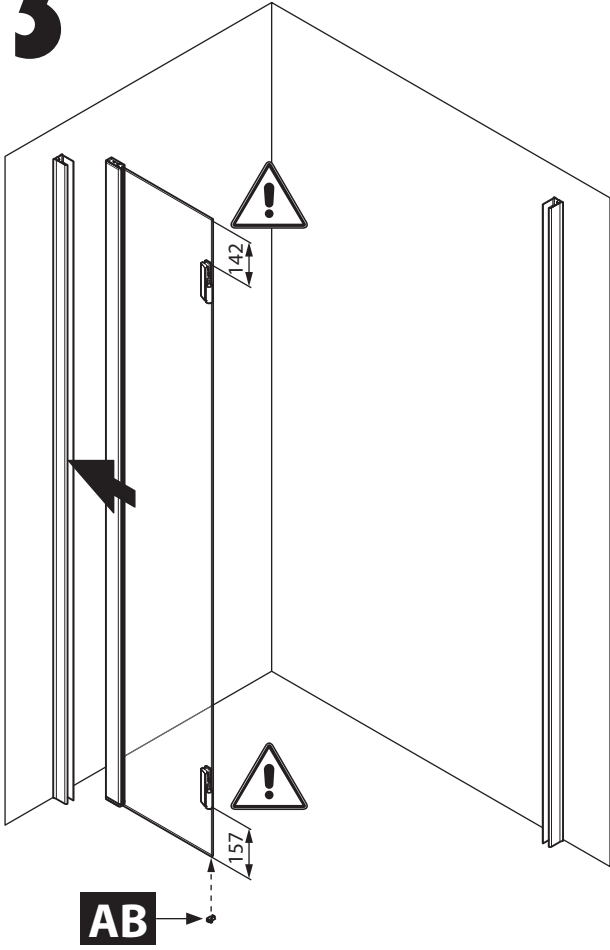


**CLEANIT OR WATER ONLY**

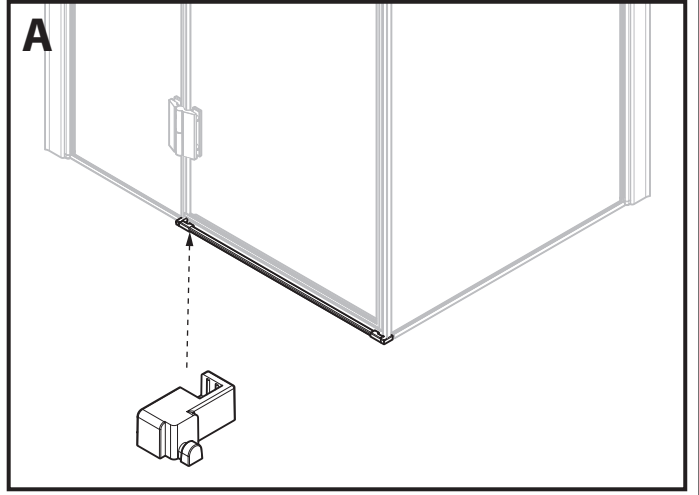
	F	L
F70	66,5/69,5	2P120 117,5/120,5
F75	71,5/74,5	2P140 137,5/140,5
F80	76,5/79,5	2P150 147,5/150,5
F85	81,5/84,5	2P160 157,5/160,5
F90	86,5/89,5	2P170 167,5/170,5
F95	91,5/94,5	
F100	96,5/99,5	
F110	106,5/109,5	
F120	116,5/119,5	



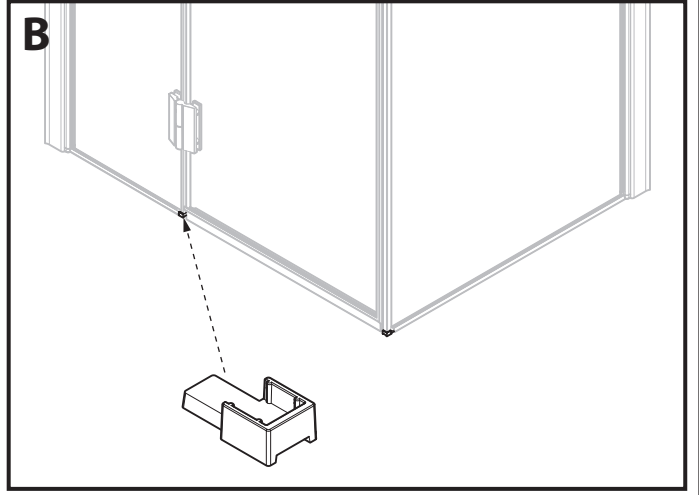
# 3



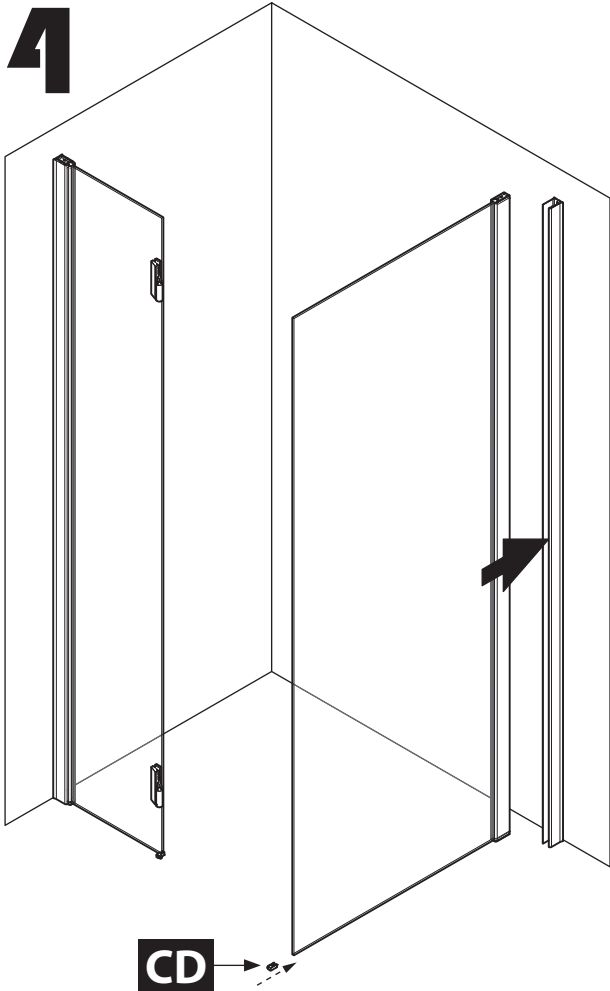
(mod. A) with low profiles



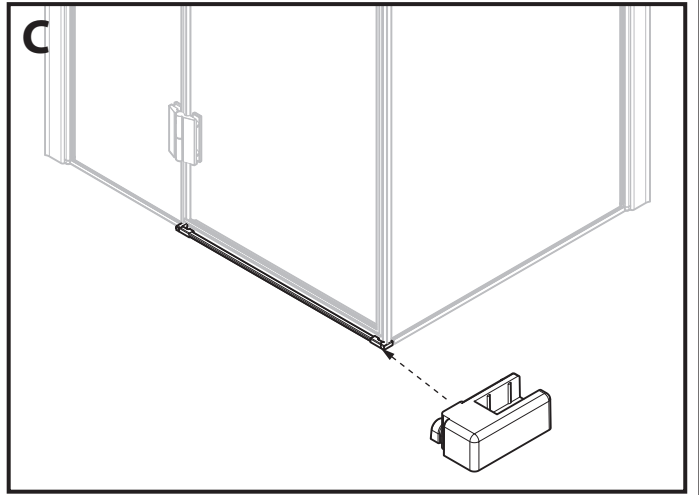
(mod. B) no profiles



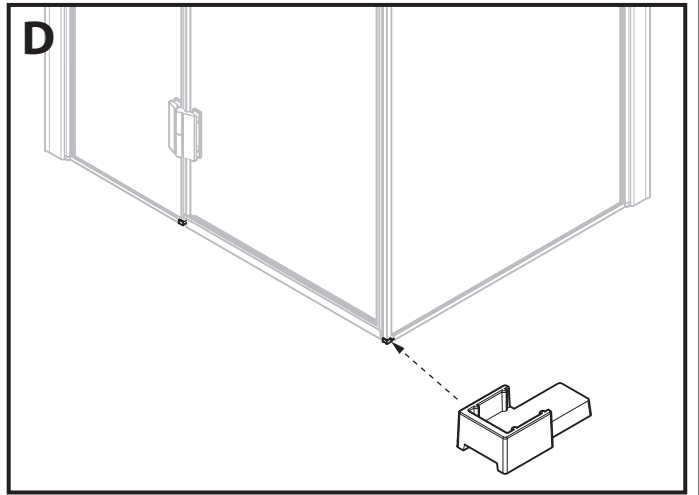
# 4



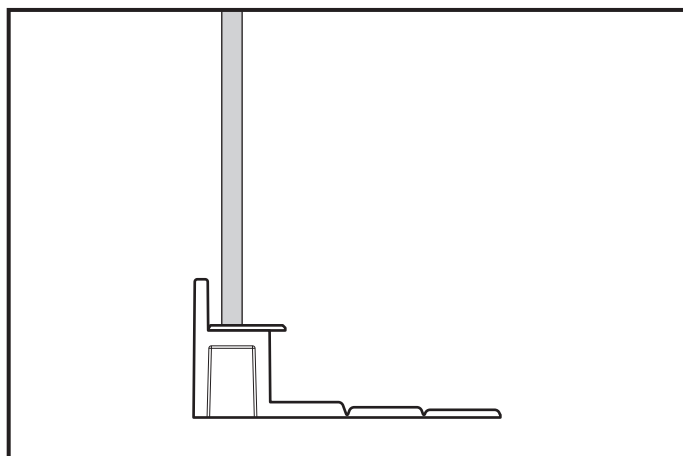
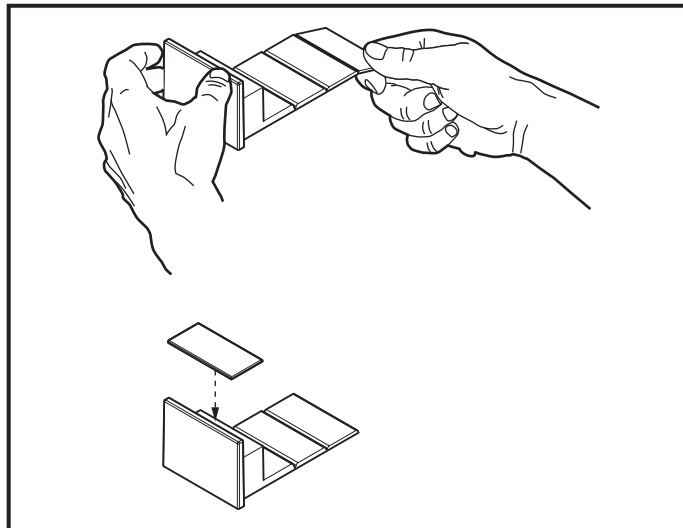
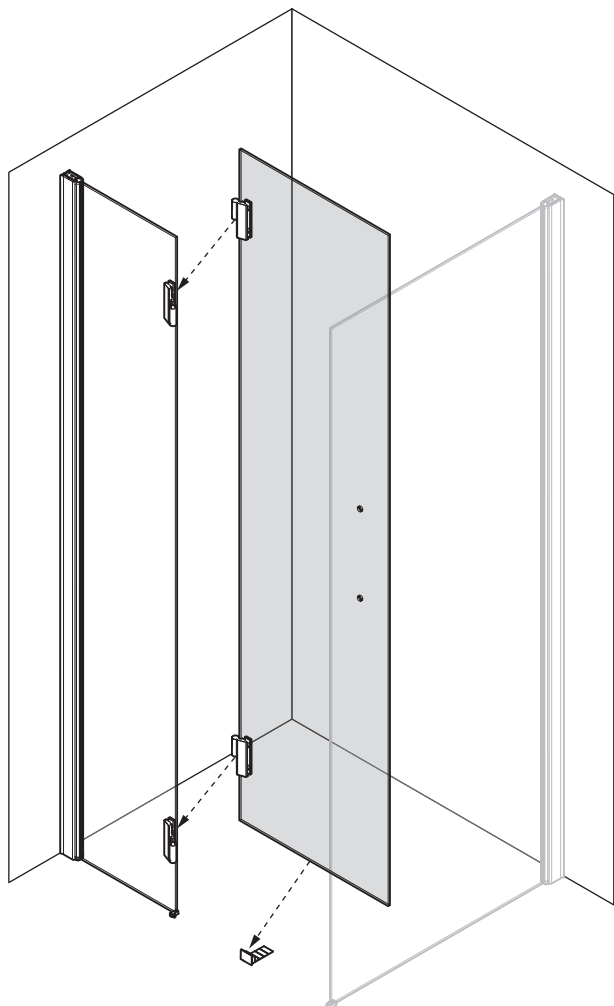
(mod. A) with low profiles



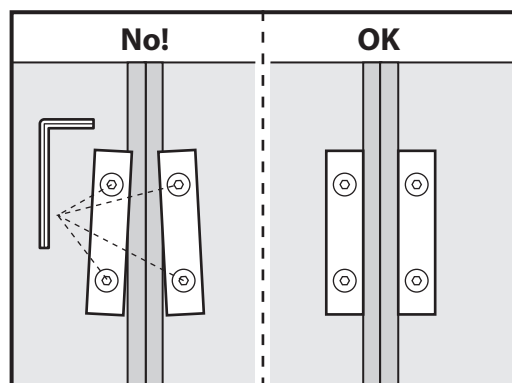
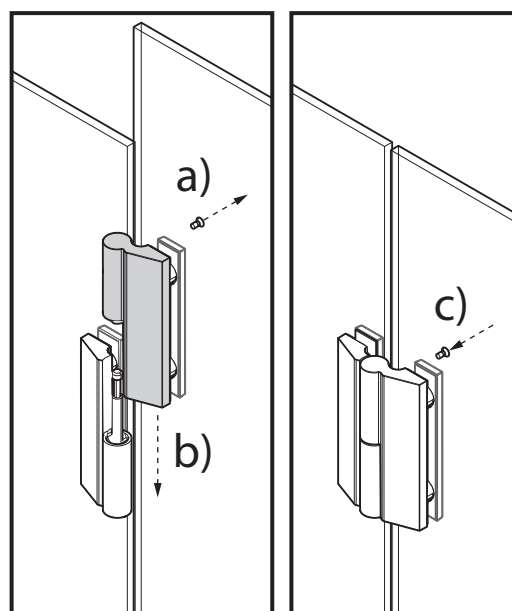
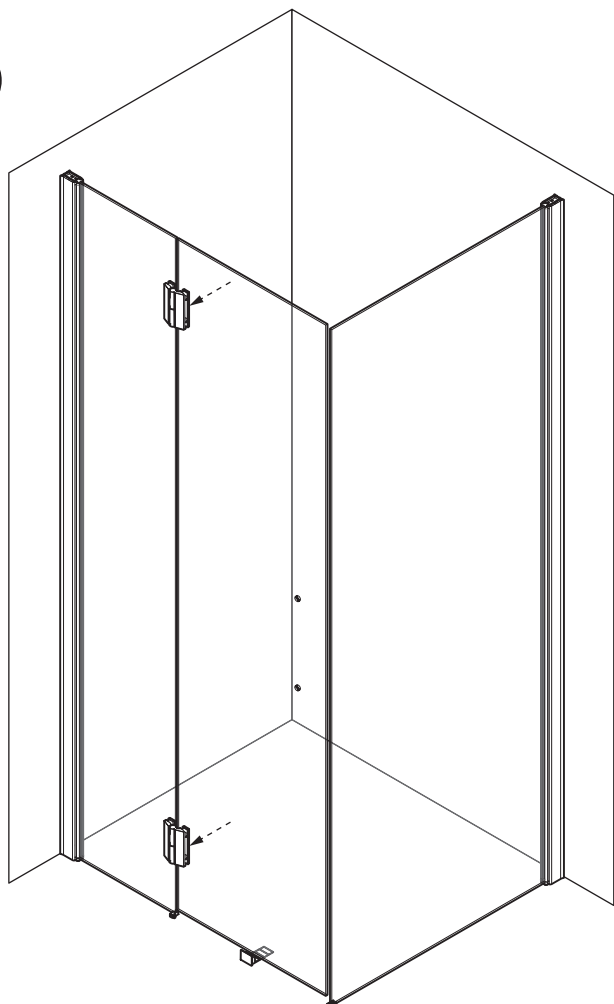
(mod. B) no profiles



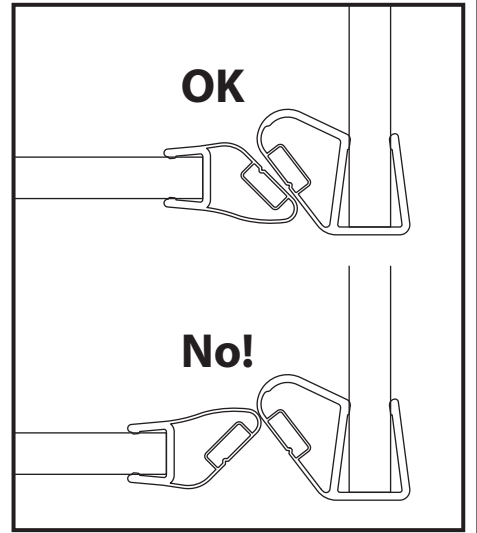
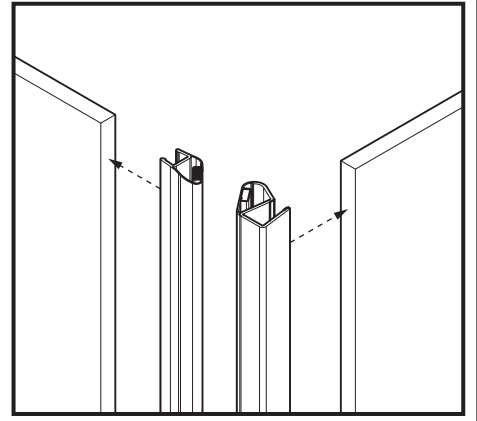
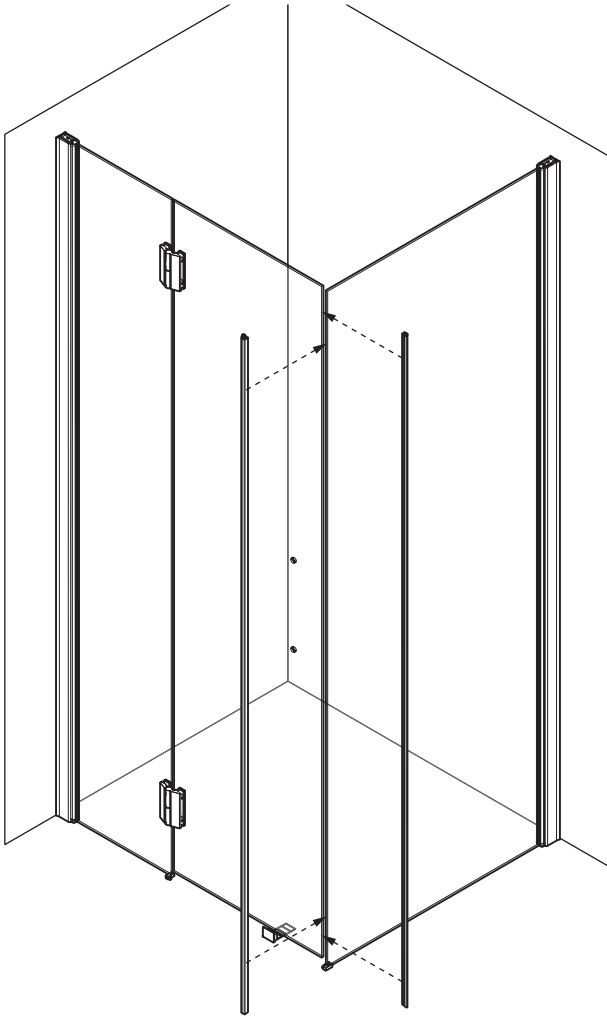
# 5



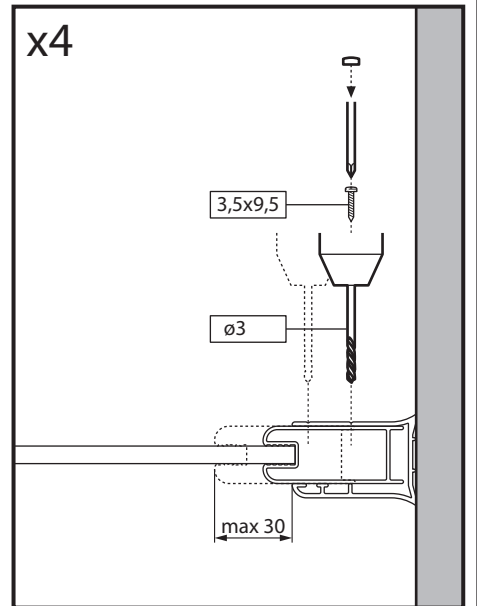
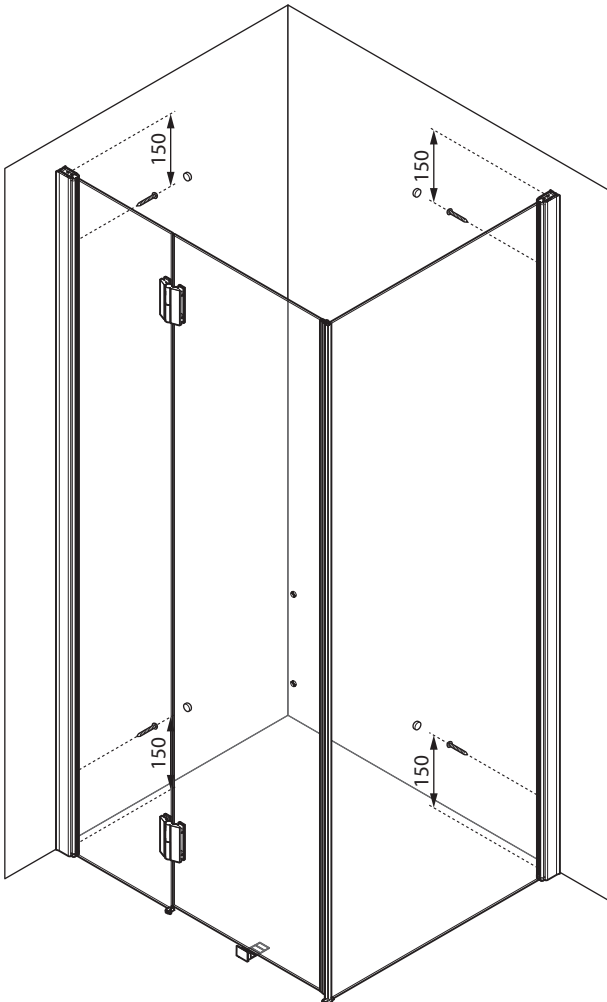
# 6



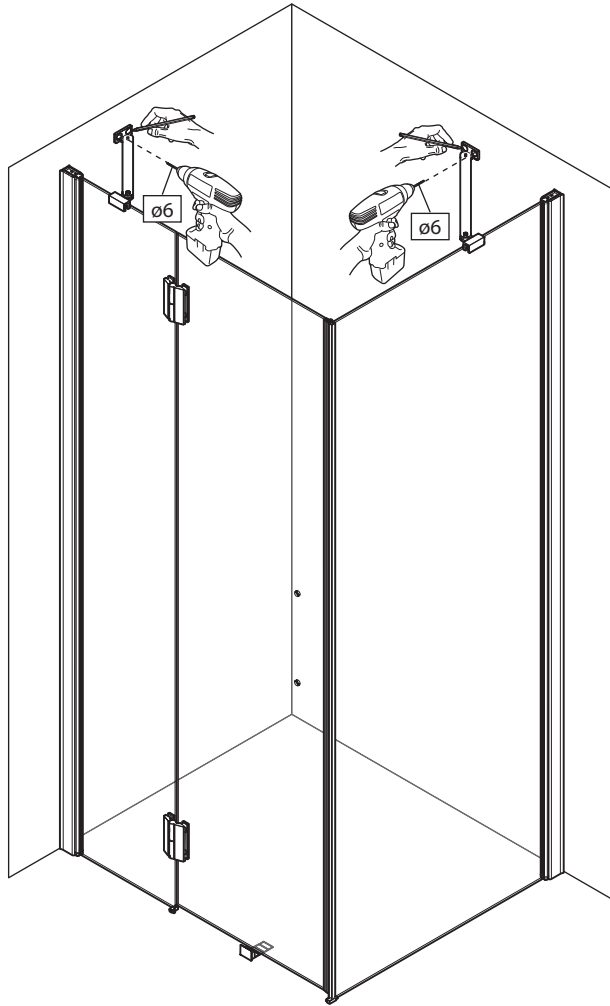
# 7



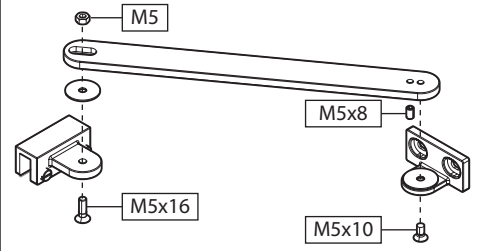
# 8



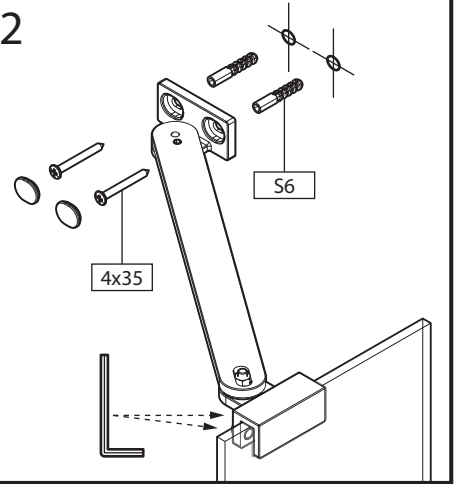
# 9



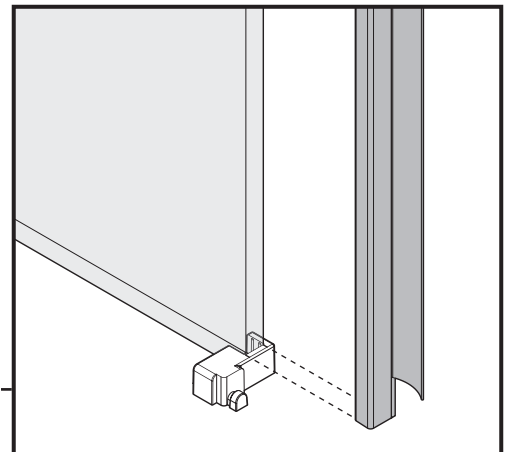
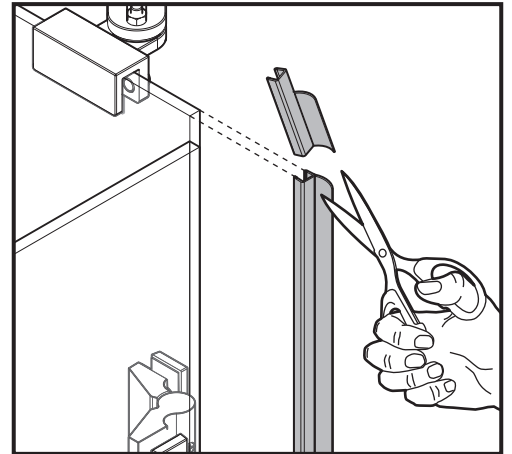
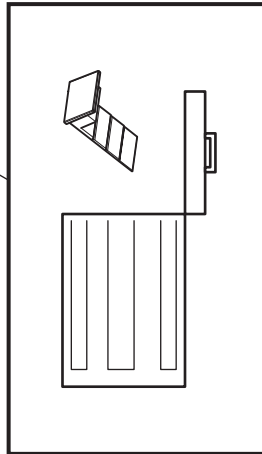
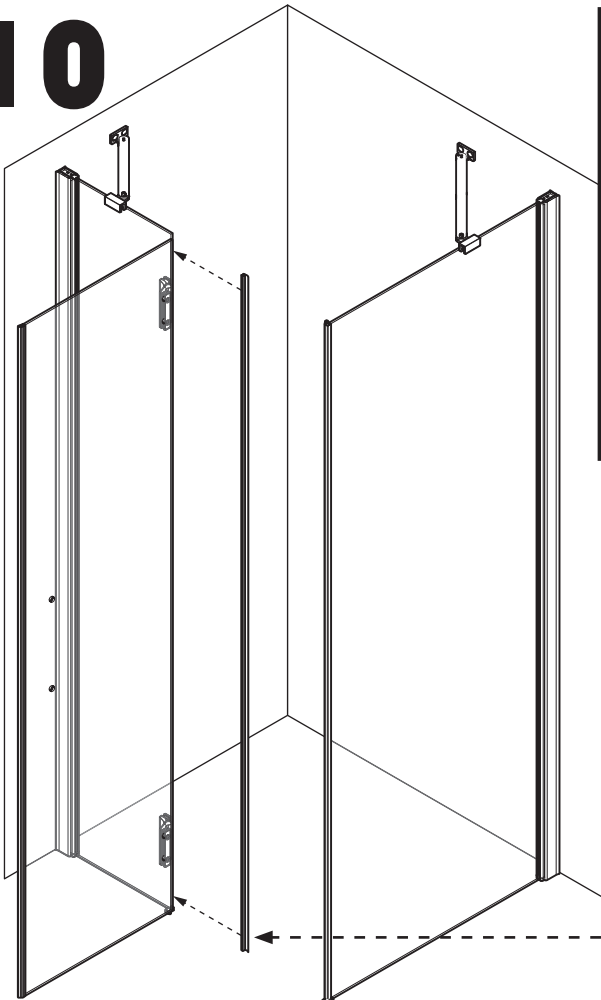
x2

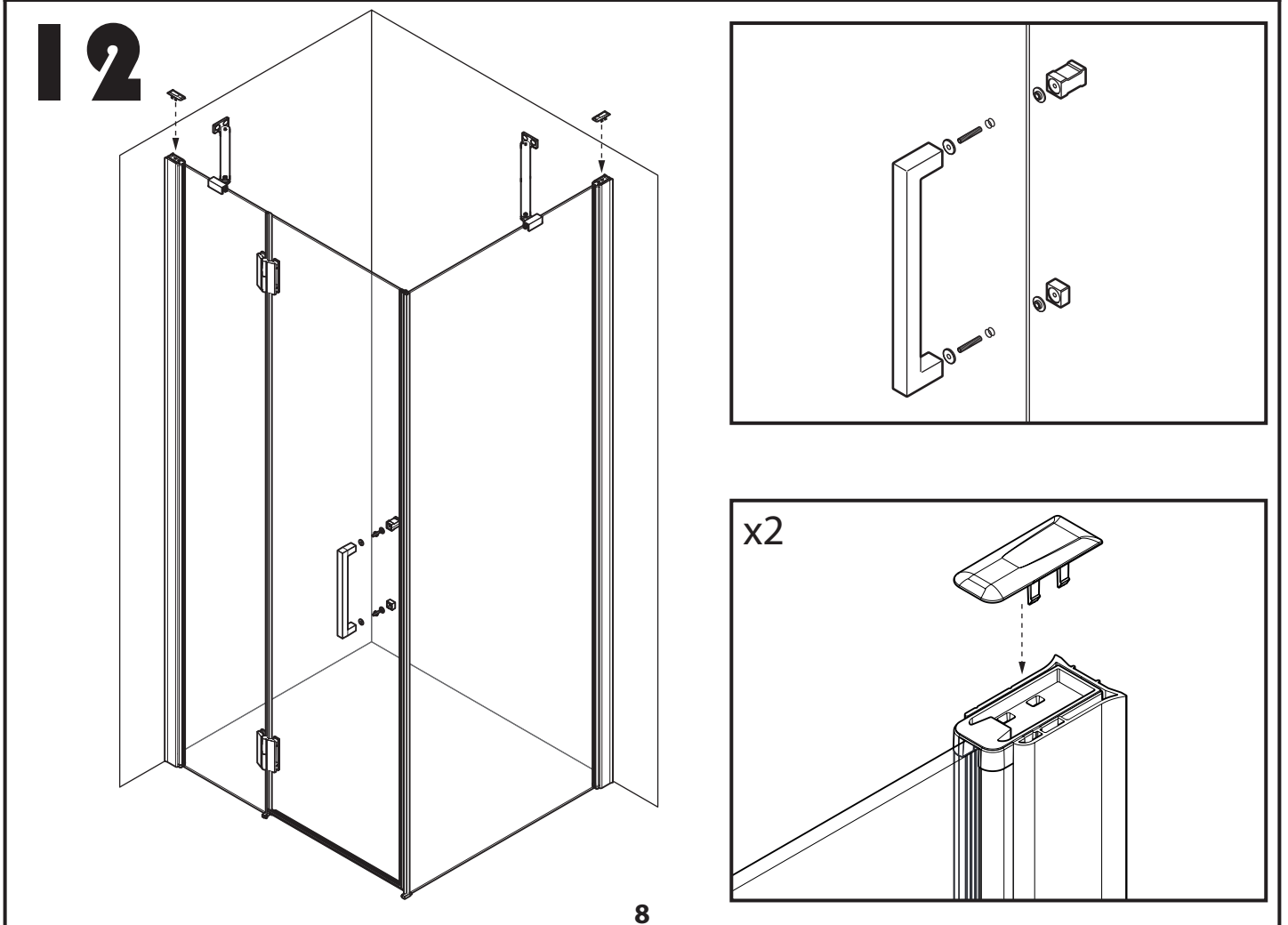
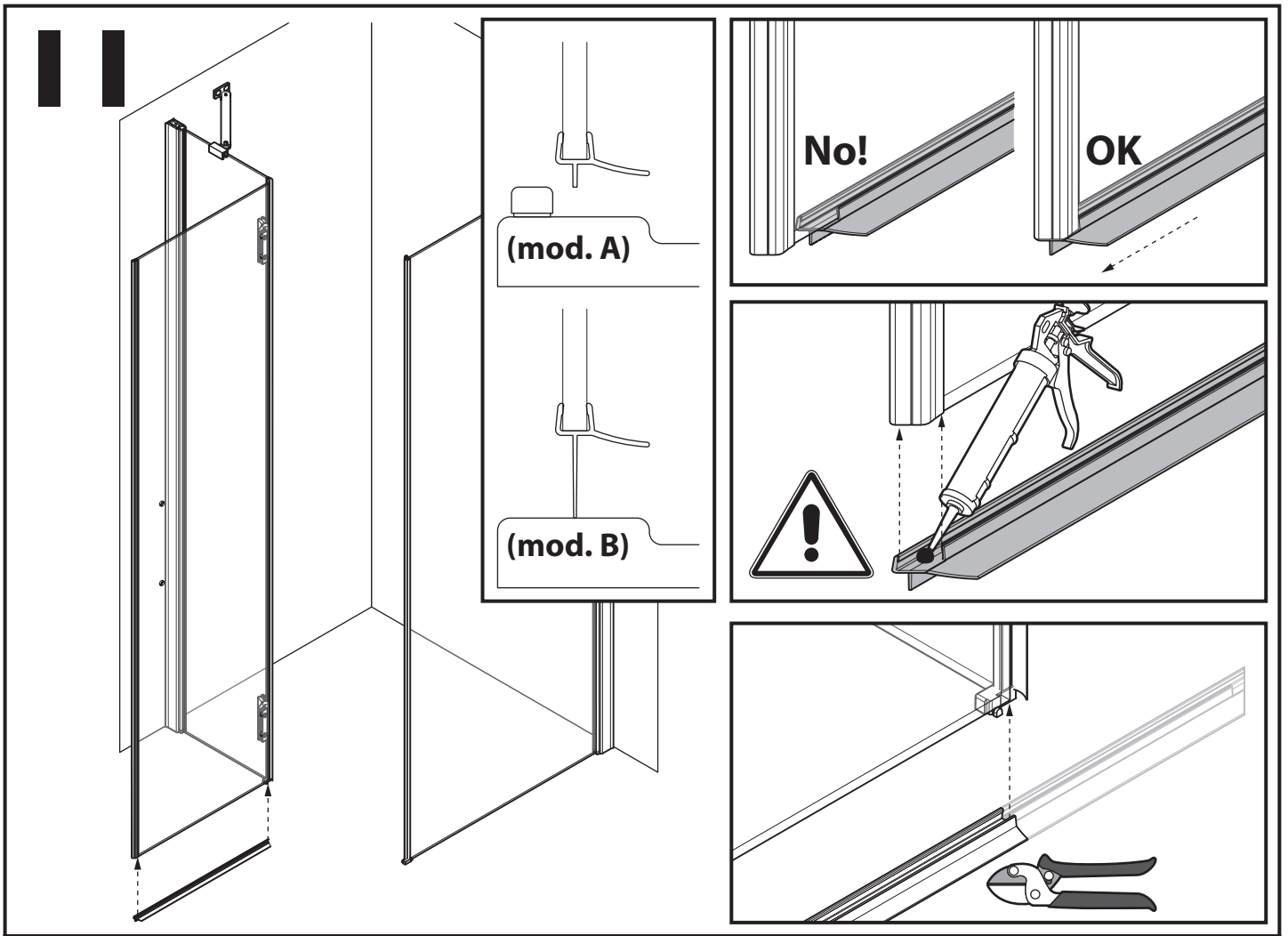


x2



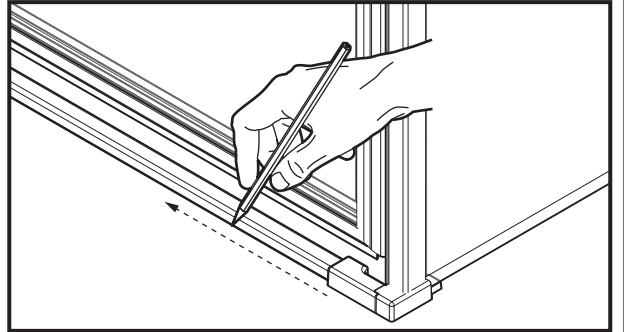
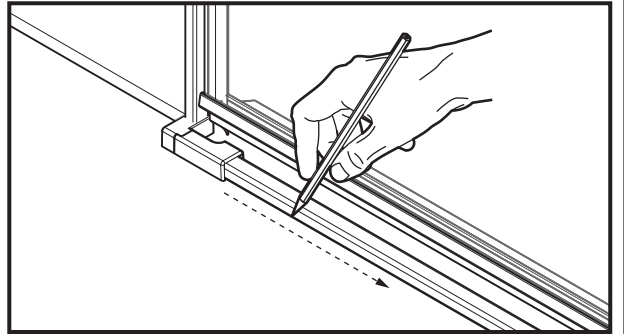
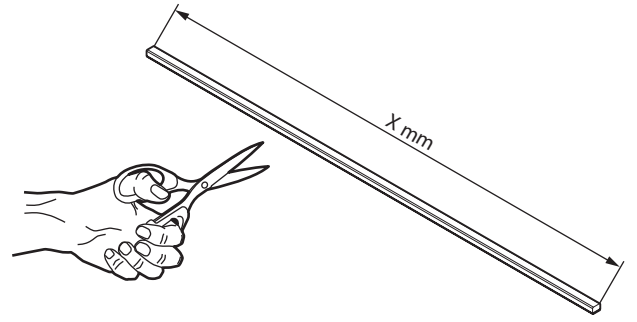
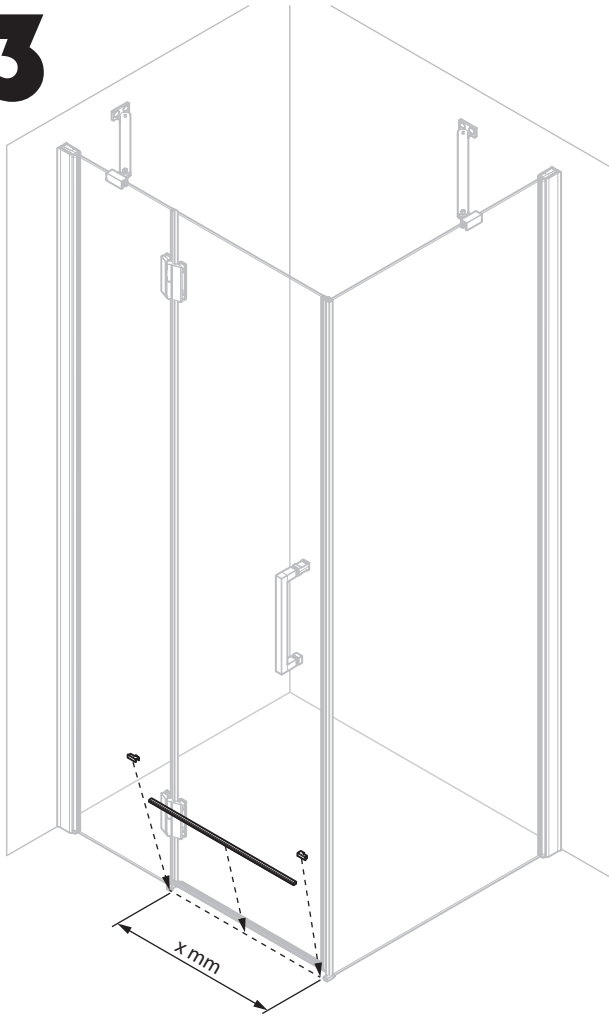
# 10



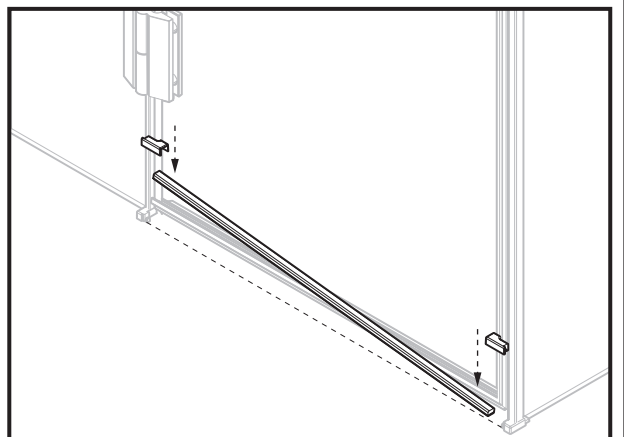
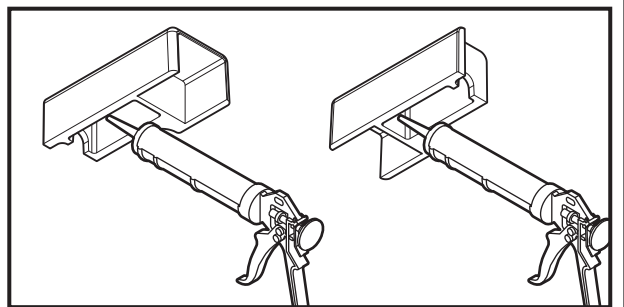
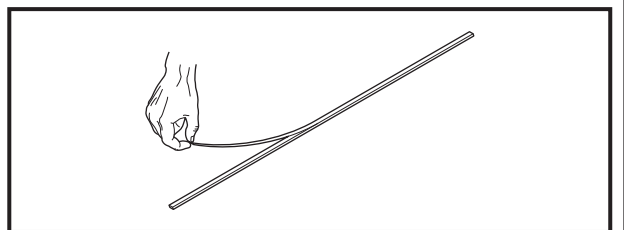
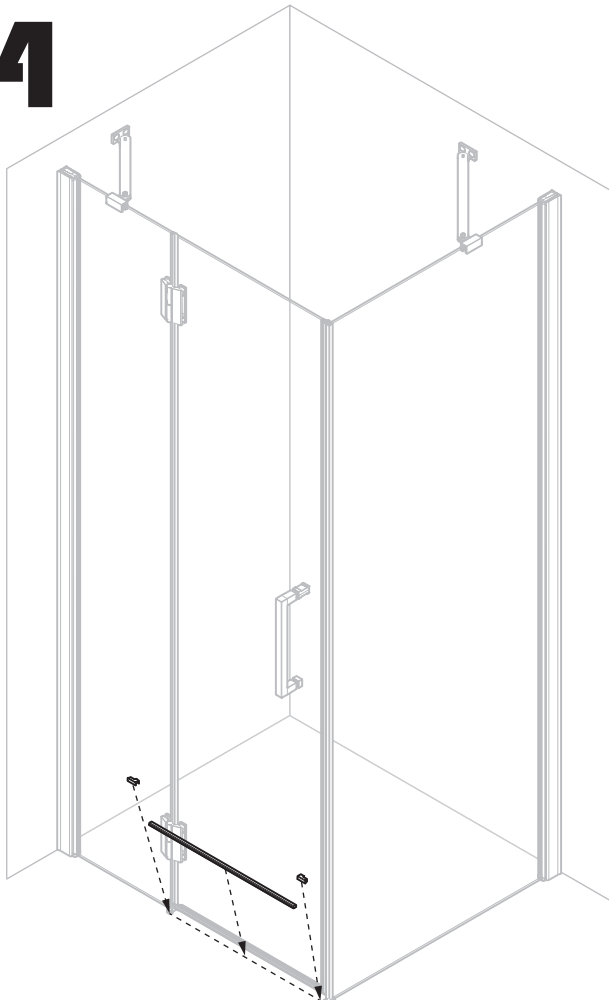




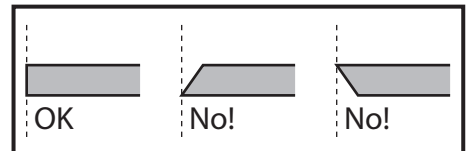
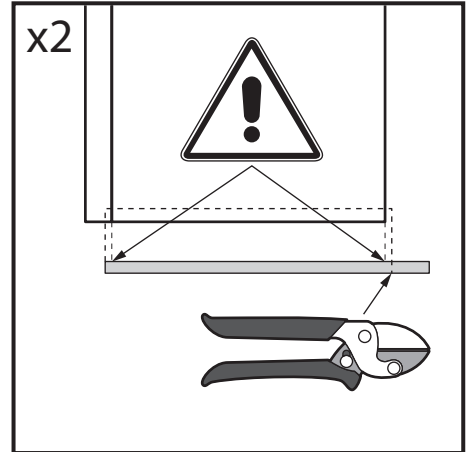
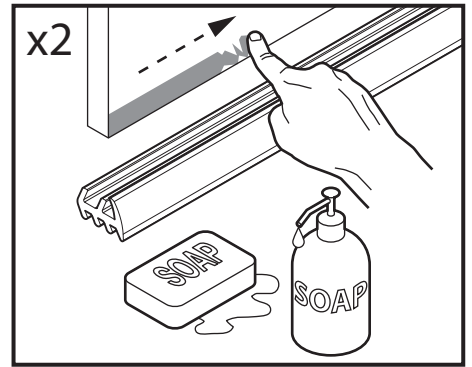
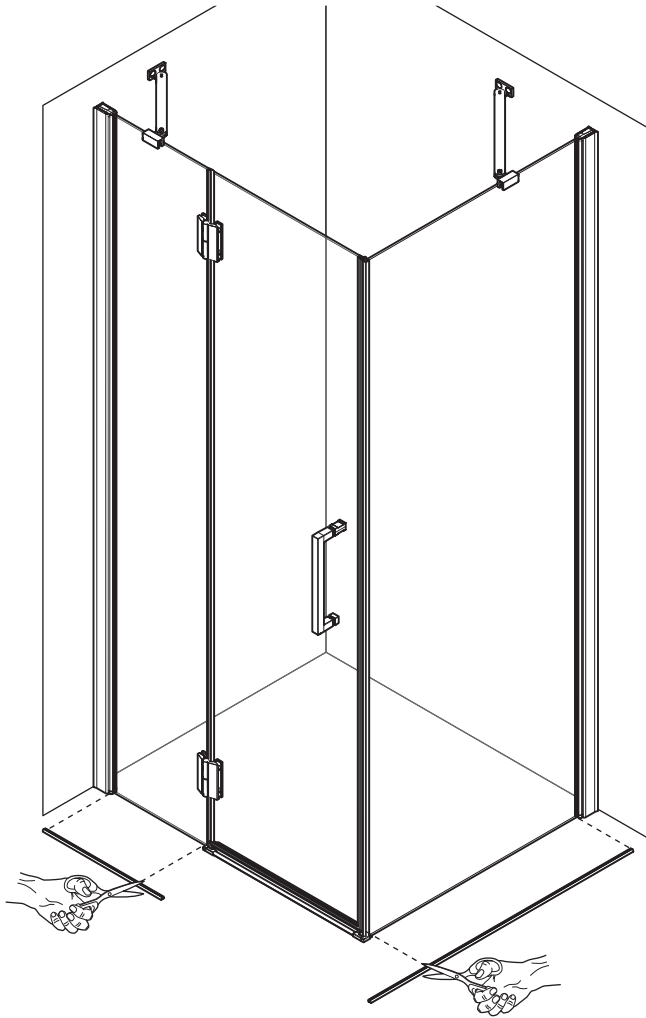
# 13



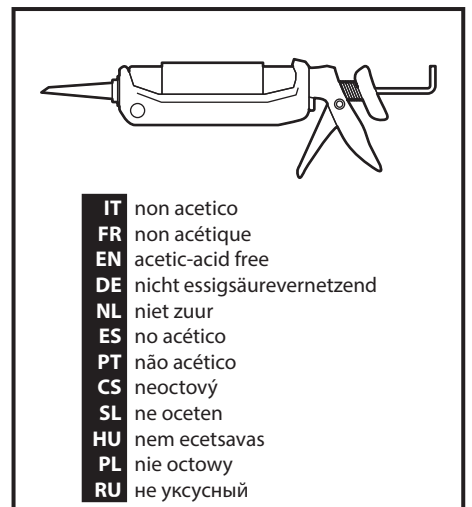
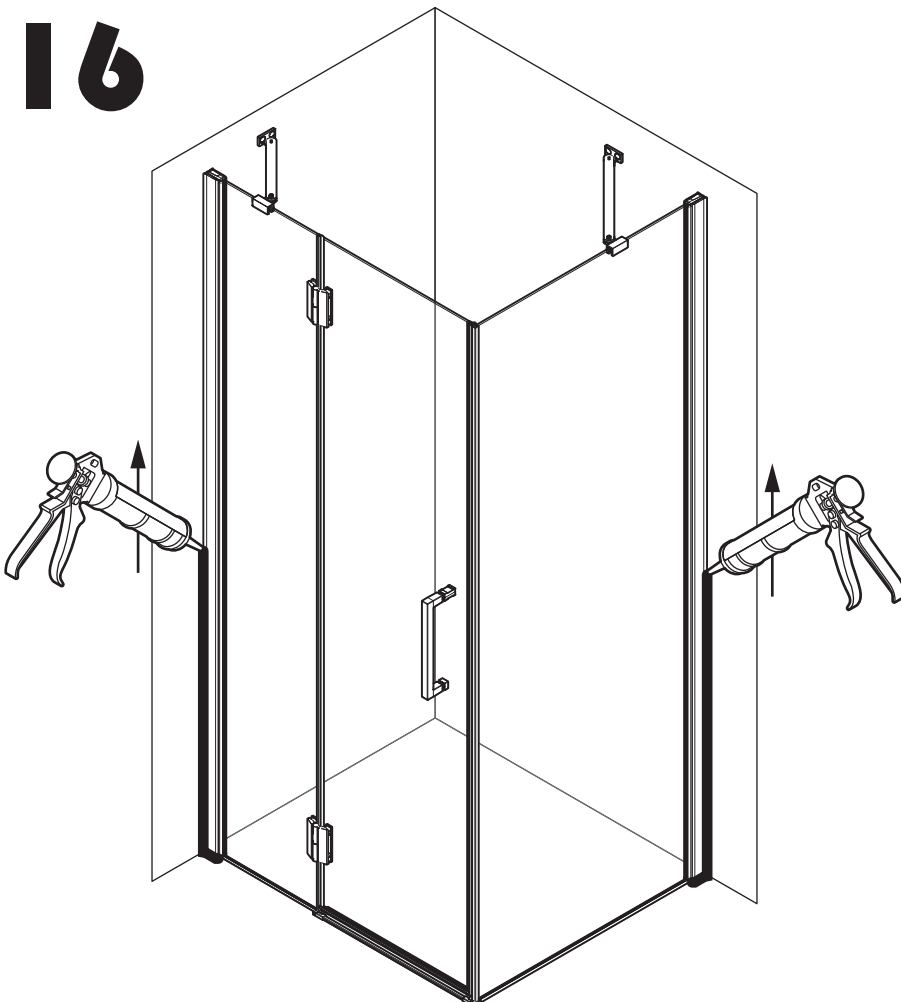
# 14



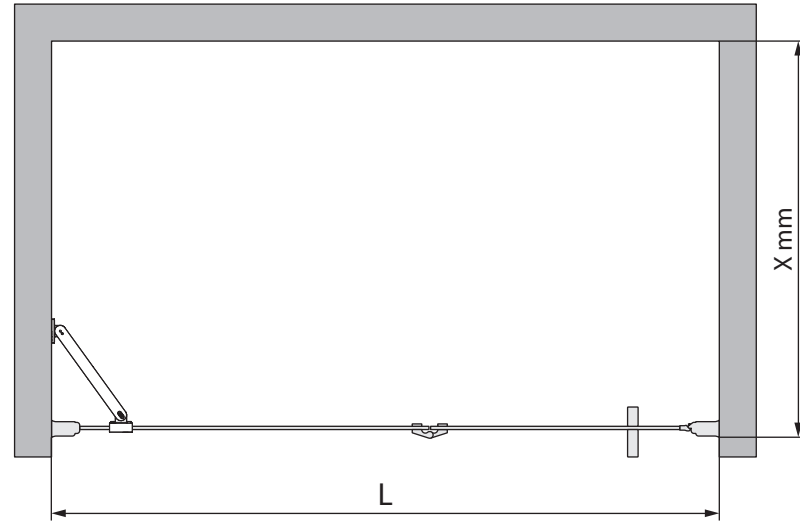
# 15



# 16

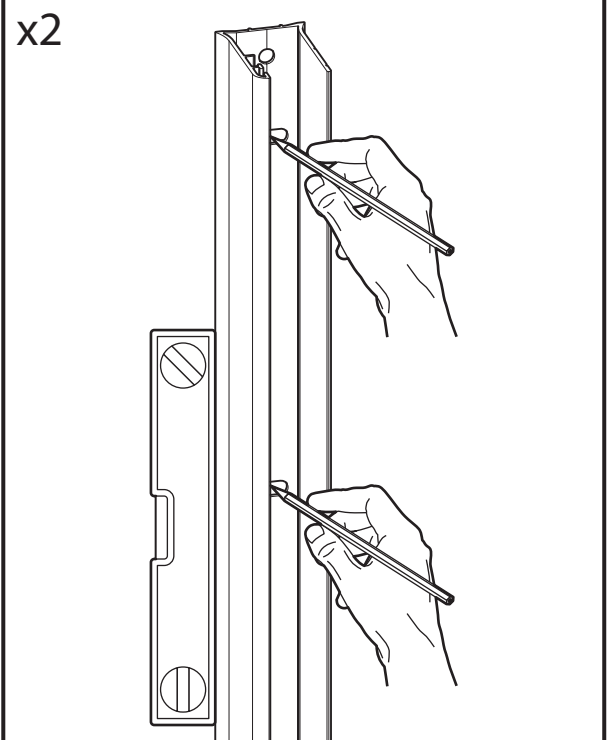
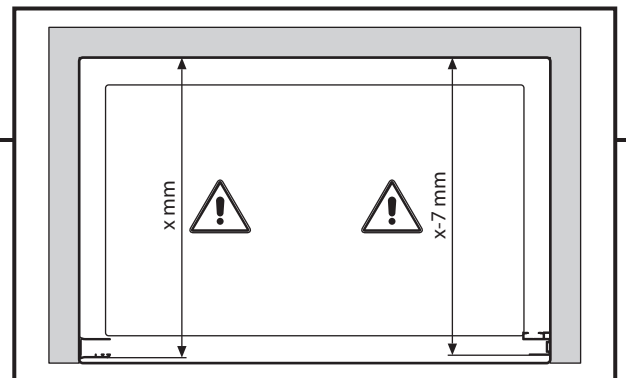
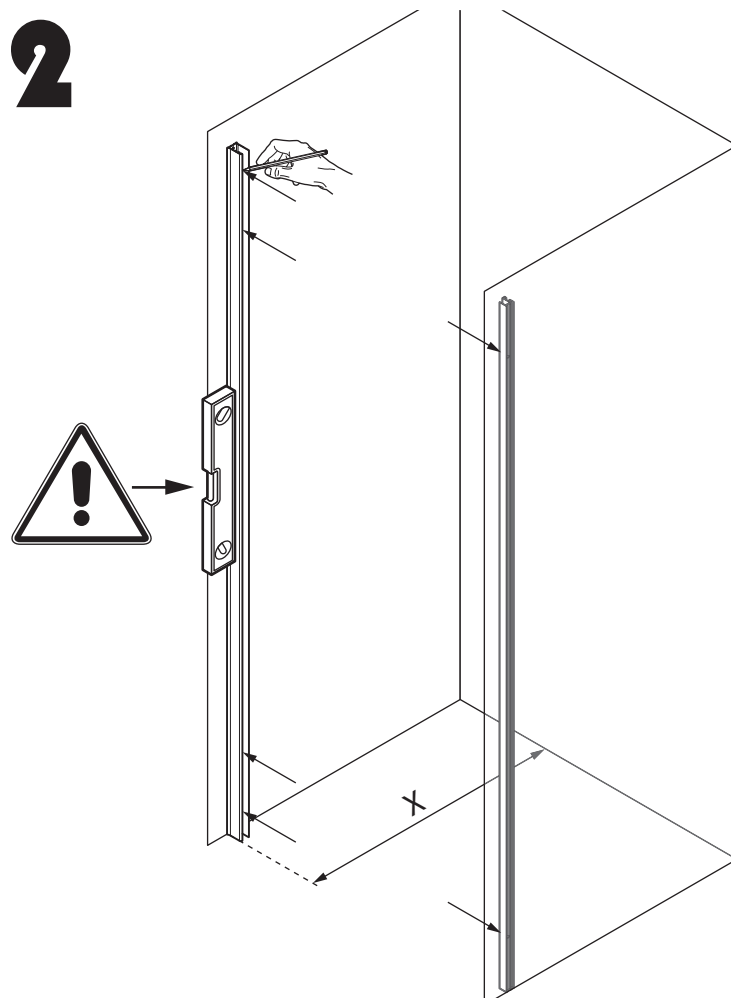


1

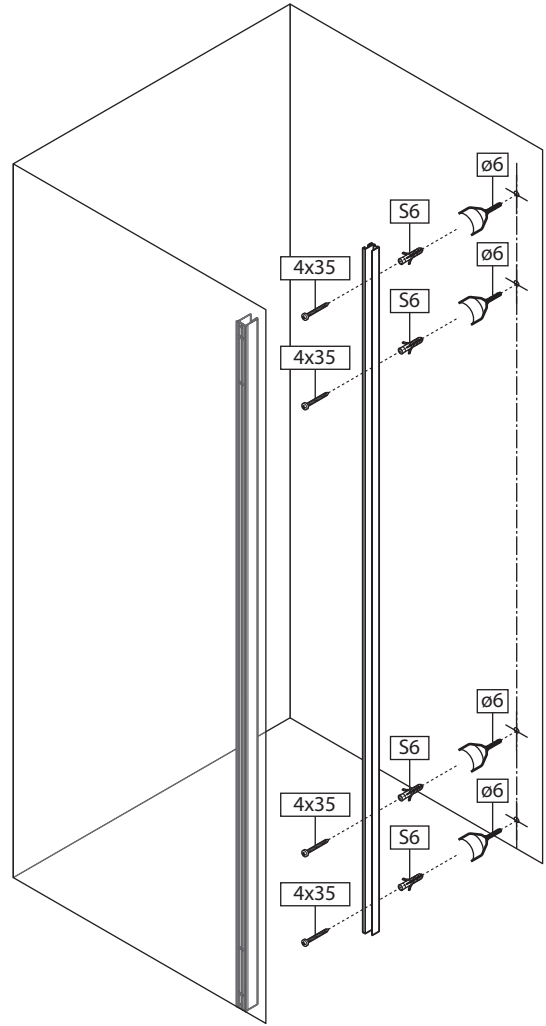
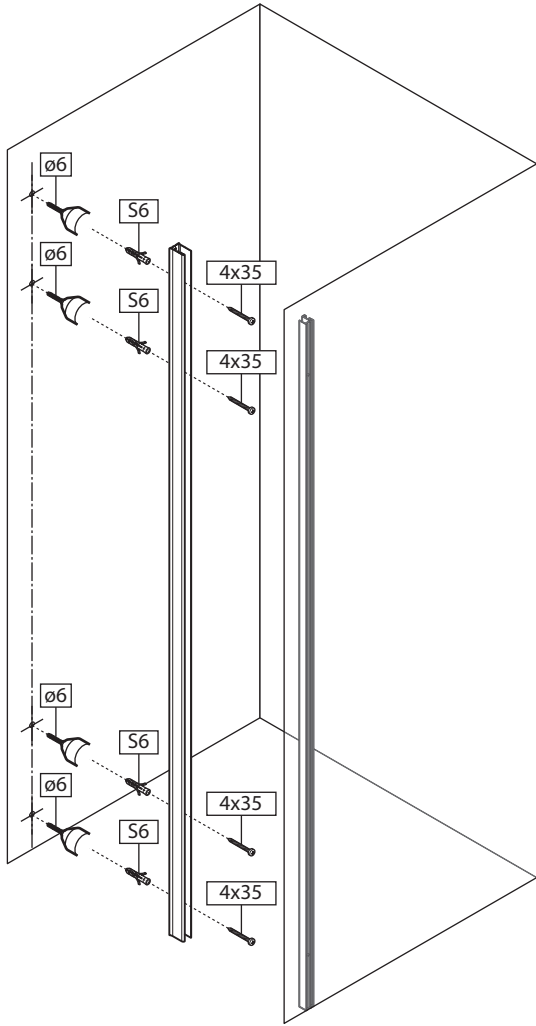


L	
2P120	118/121
2P140	138/141
2P150	148/151
2P160	158/161
2P170	168/171

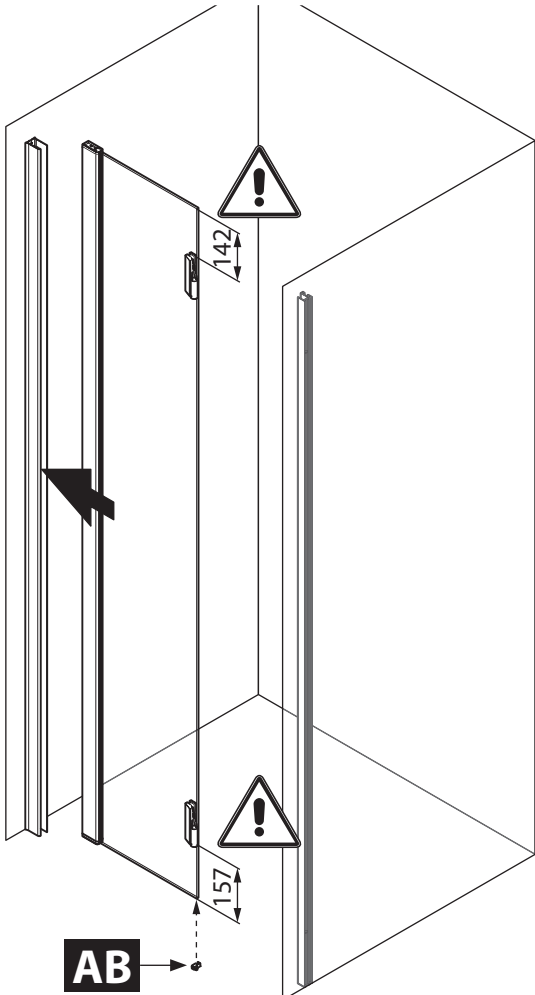
2



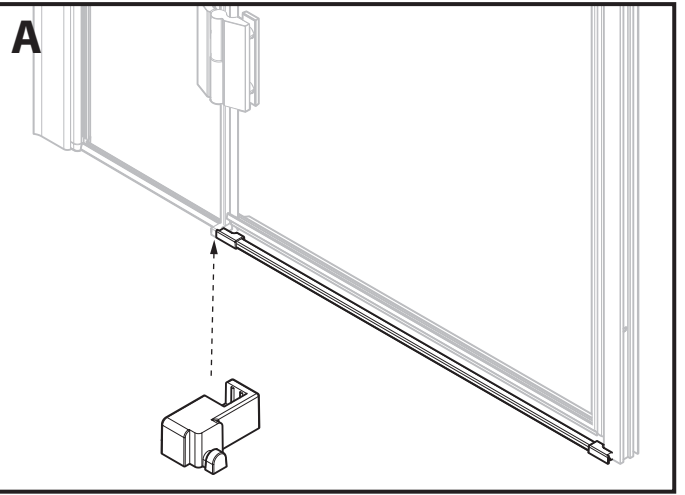
# 3



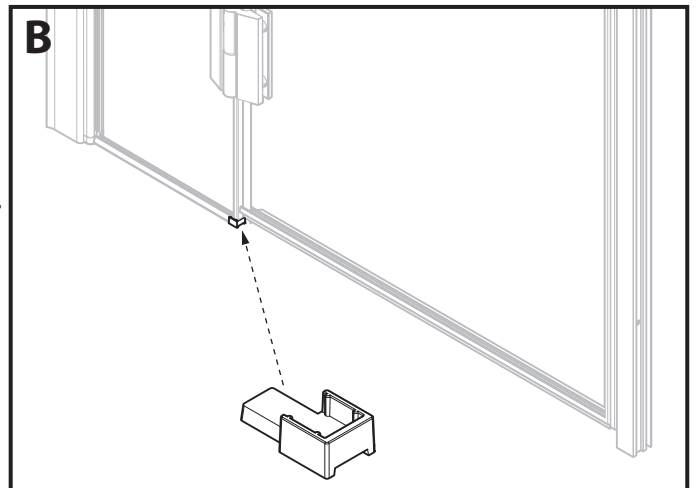
# 4



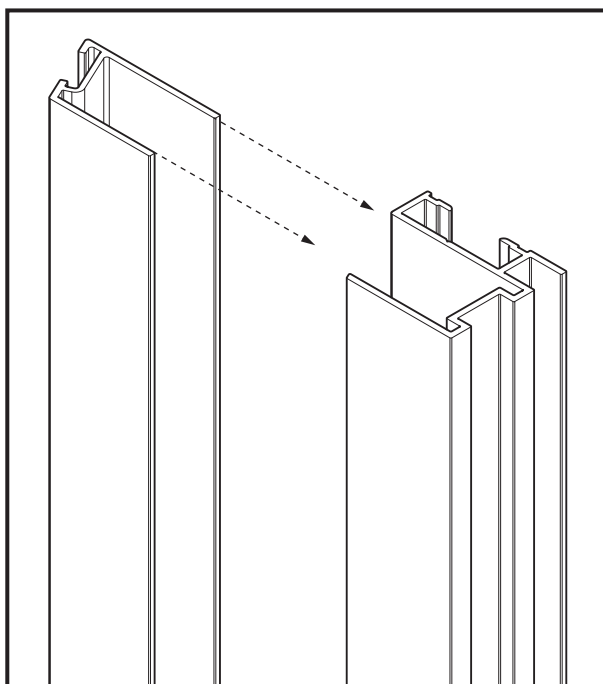
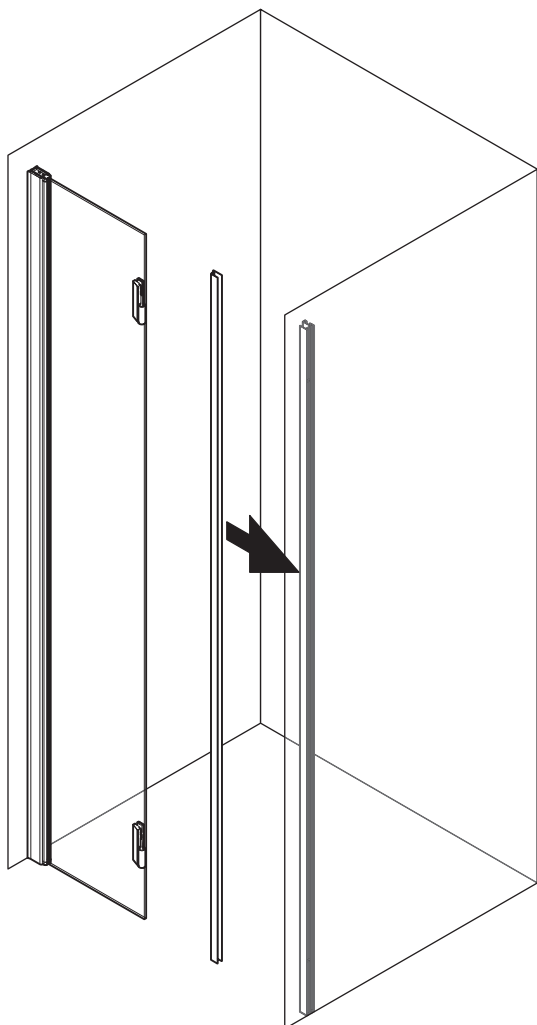
(mod. A) with low profiles



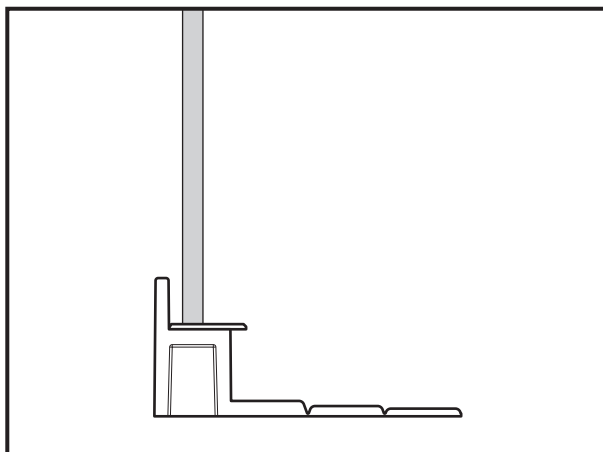
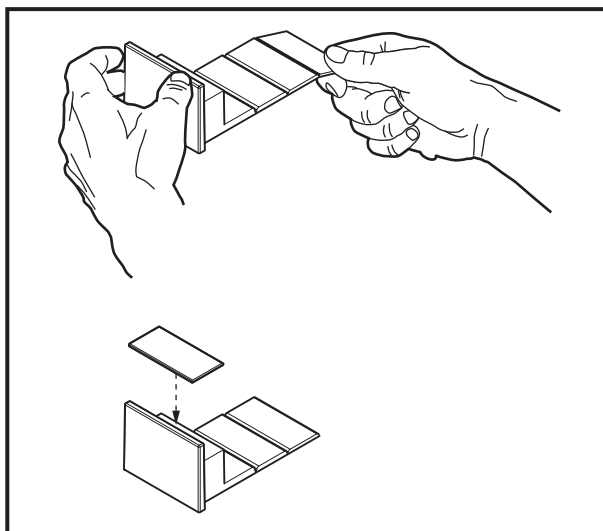
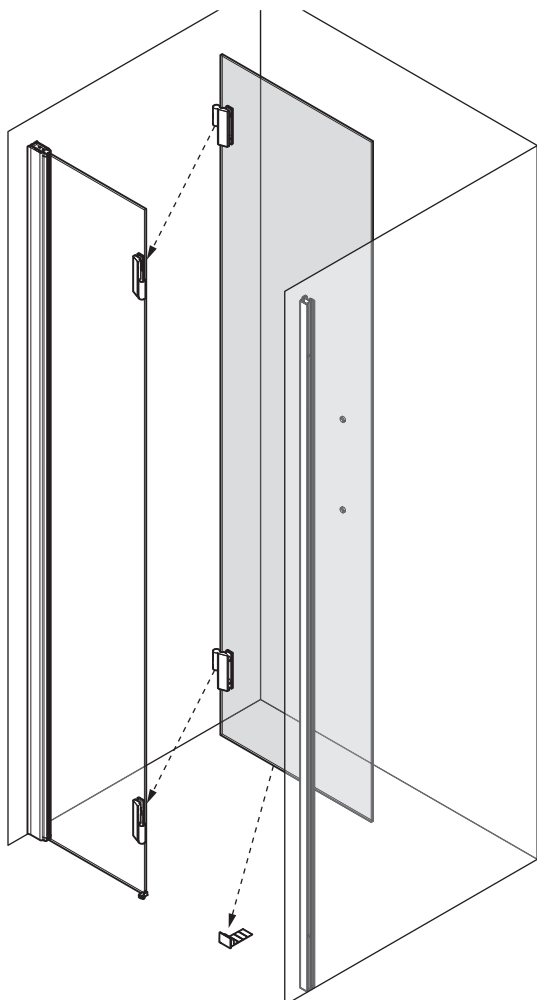
(mod. B) no profiles



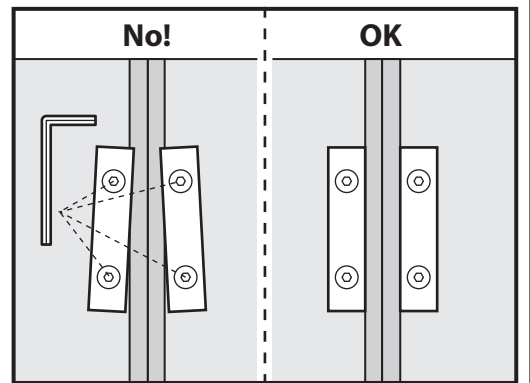
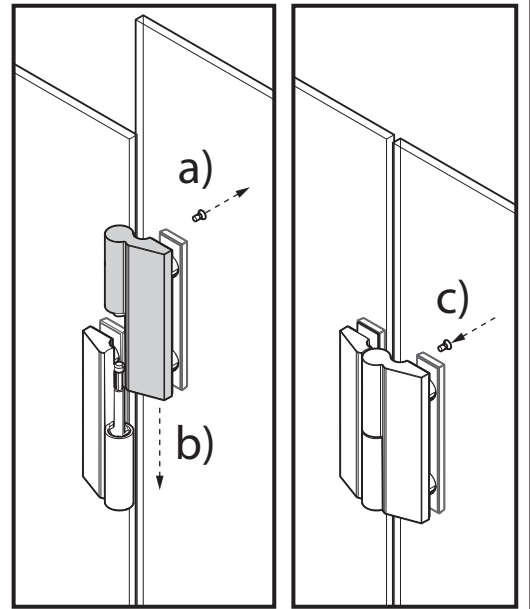
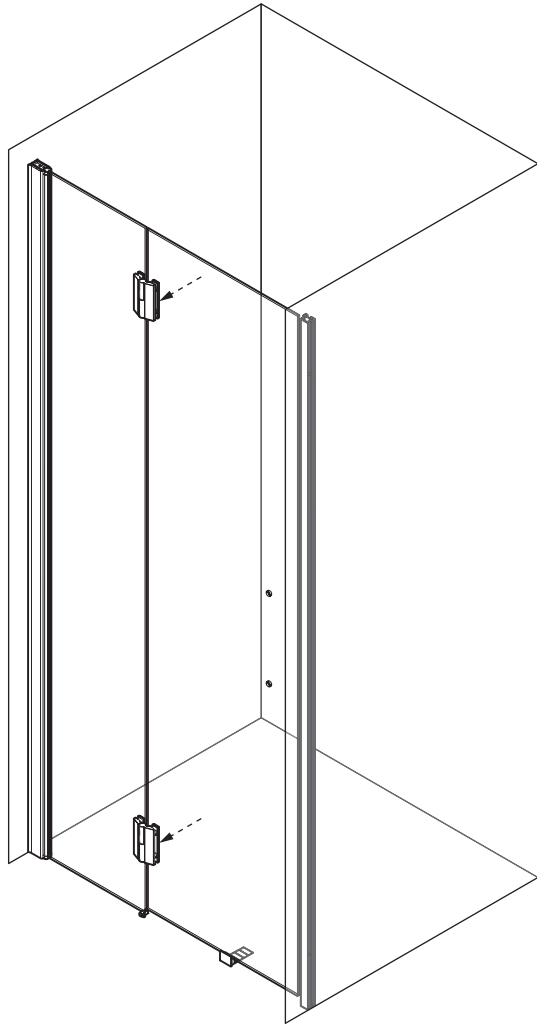
**5**



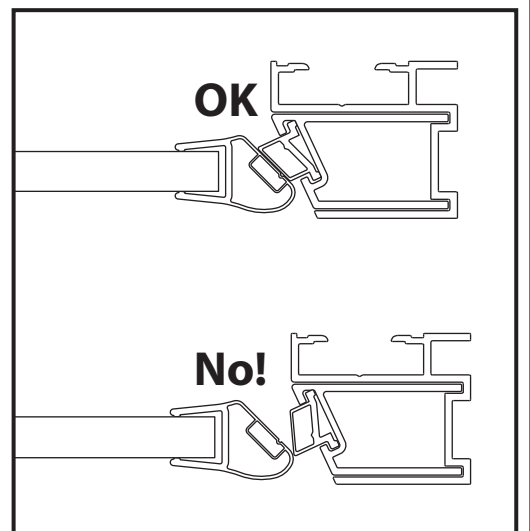
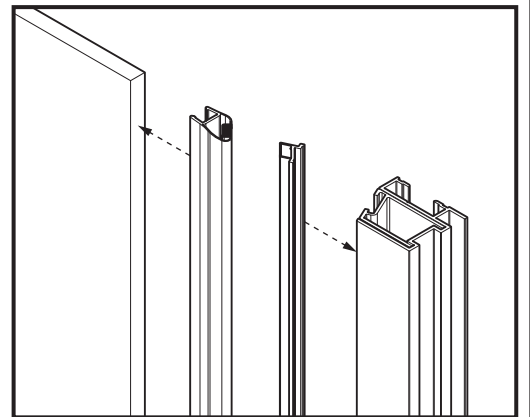
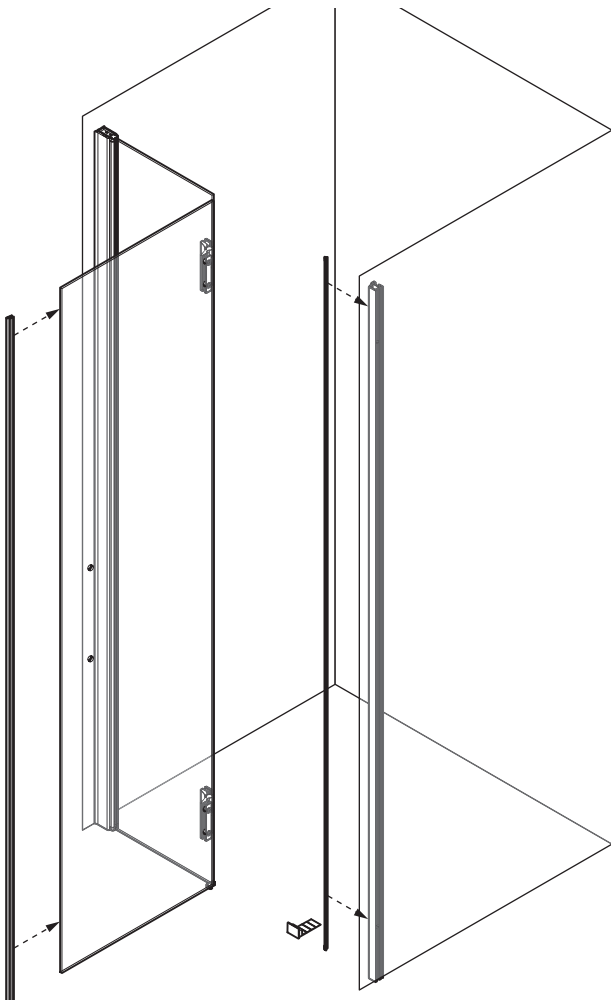
**6**



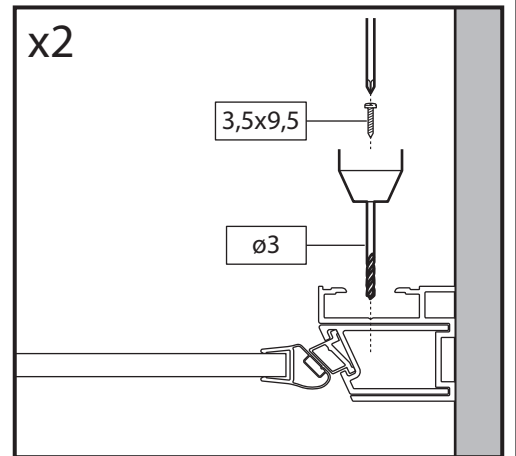
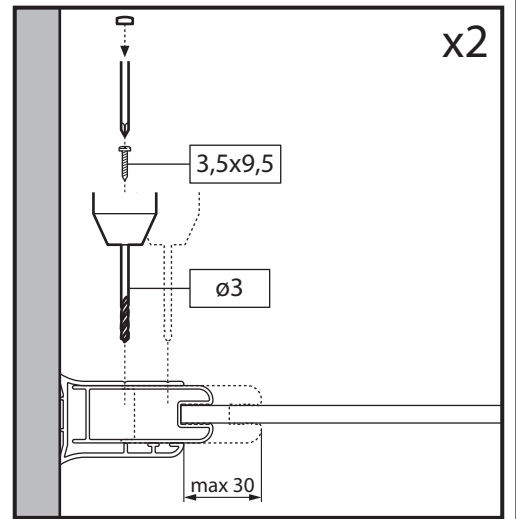
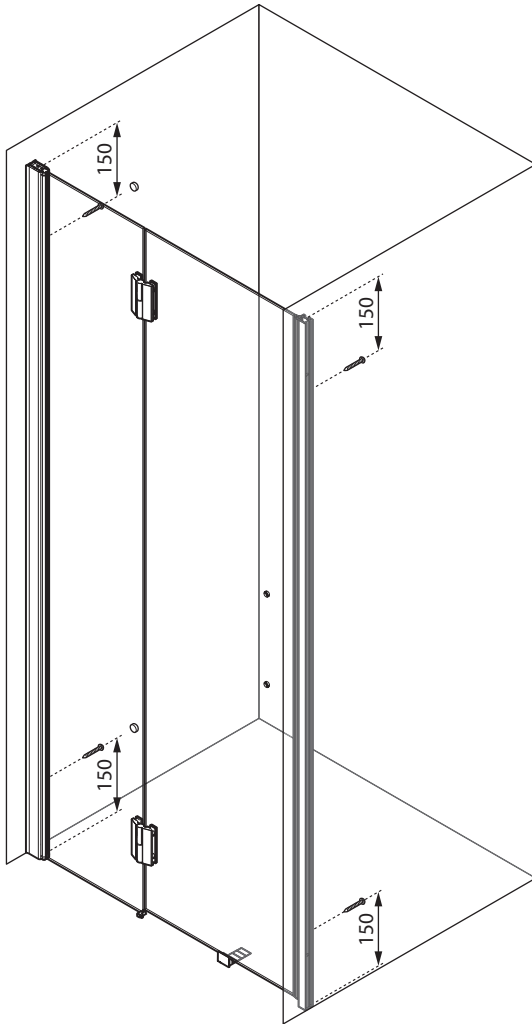
# 7



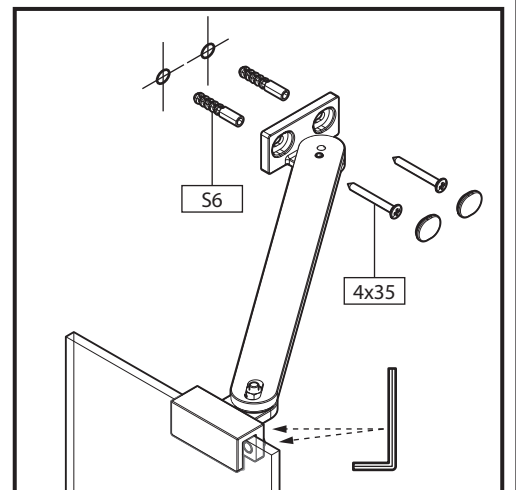
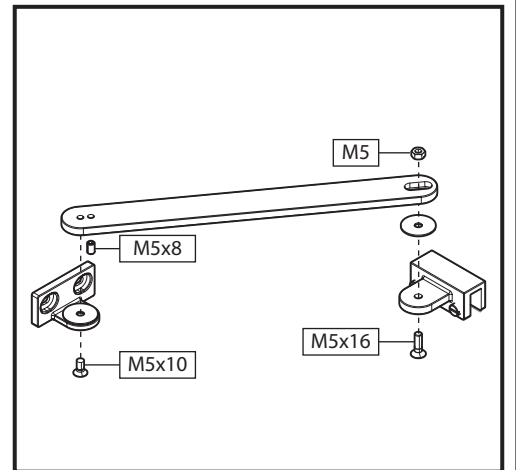
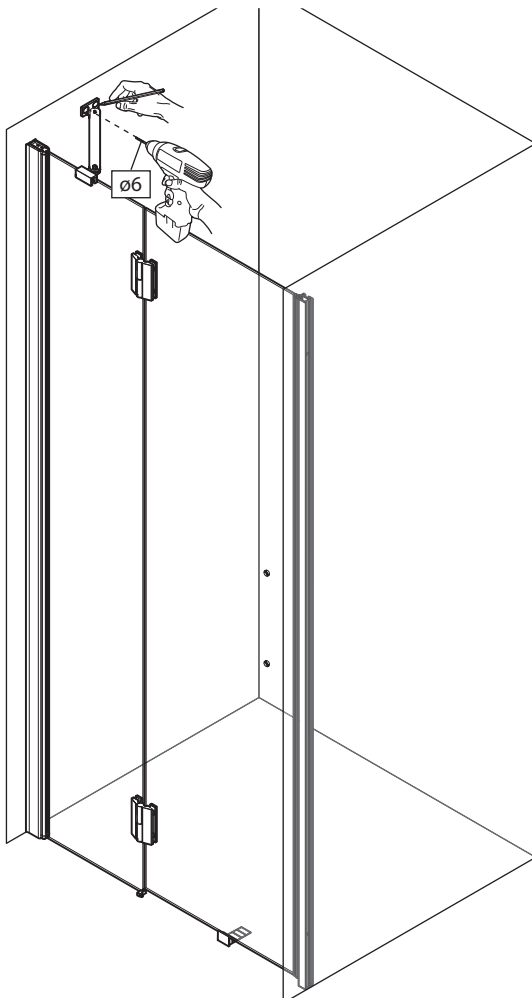
# 8

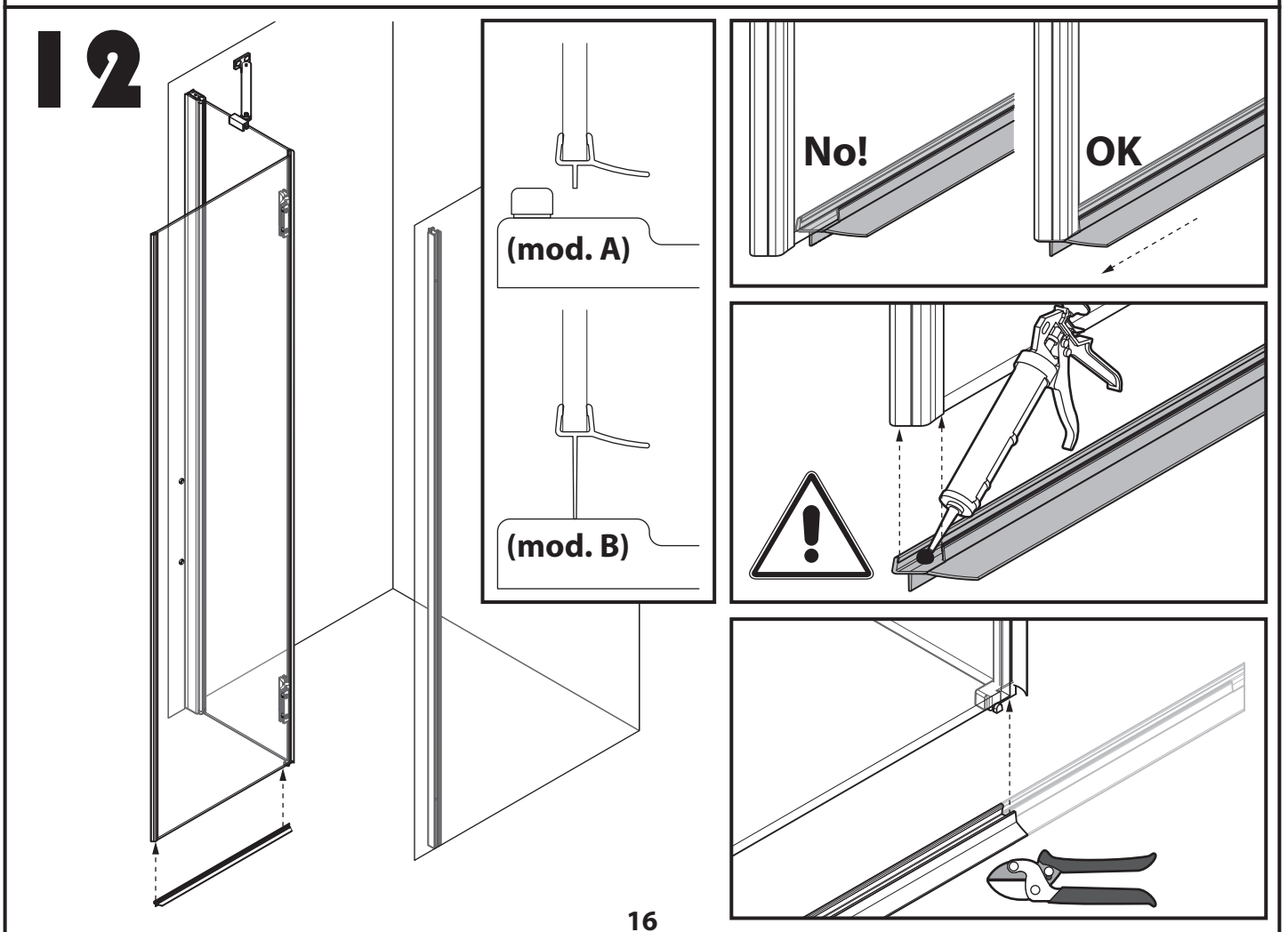
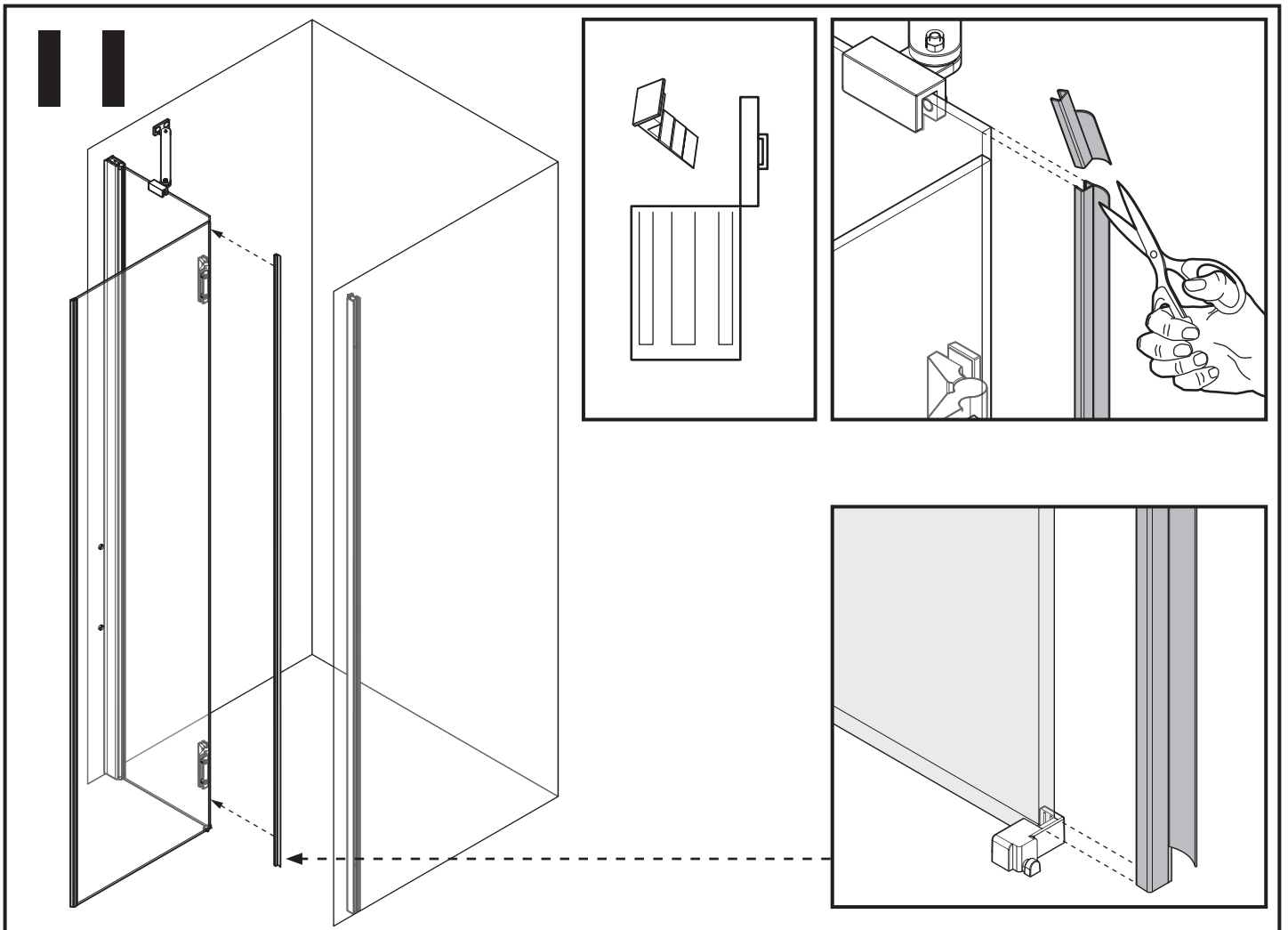


# 9



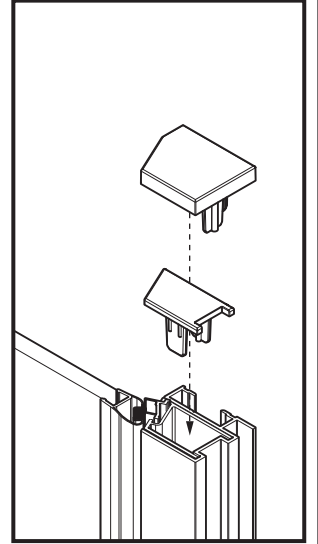
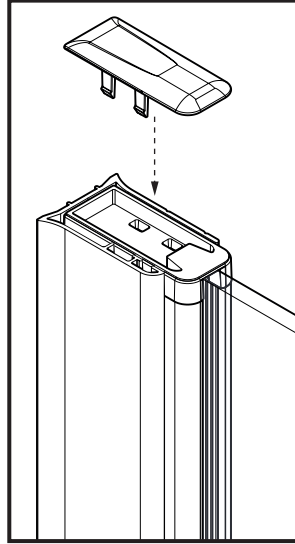
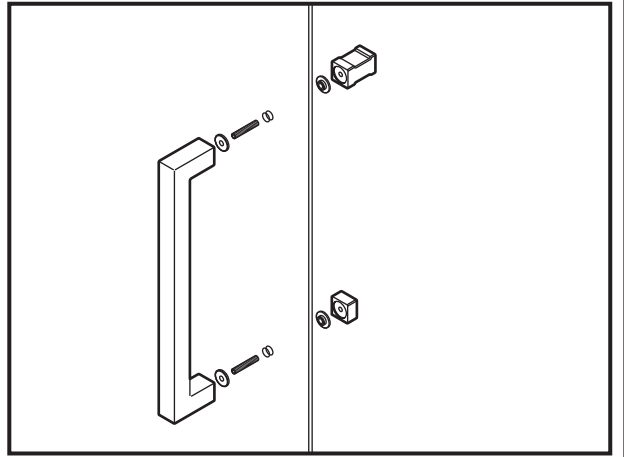
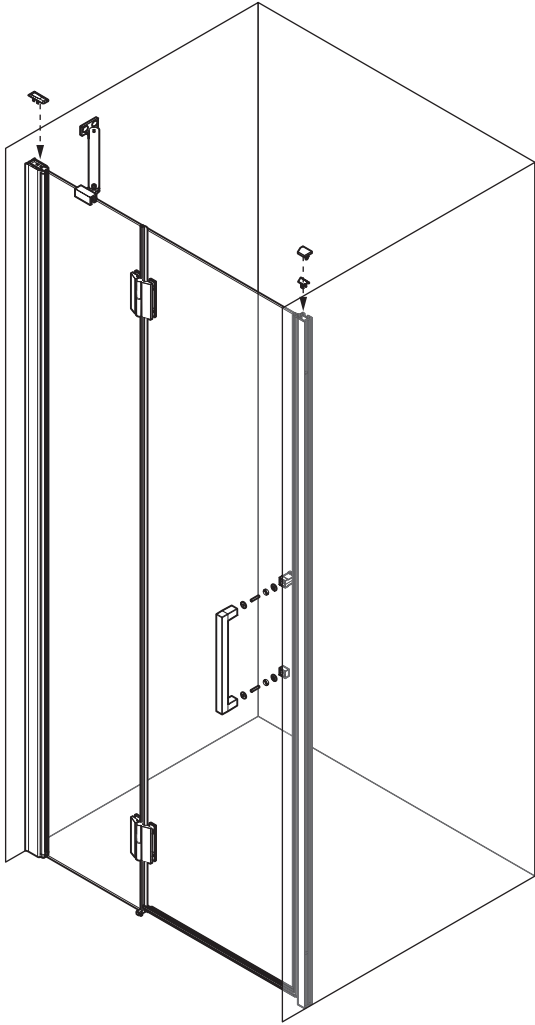
# 10



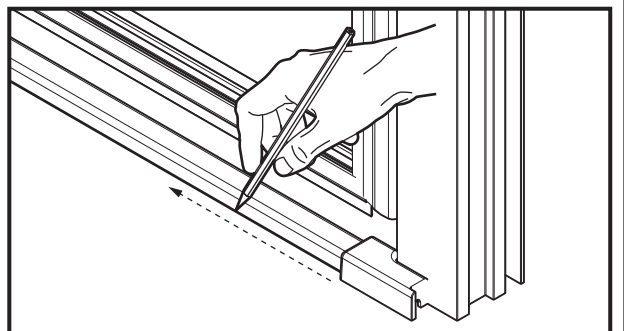
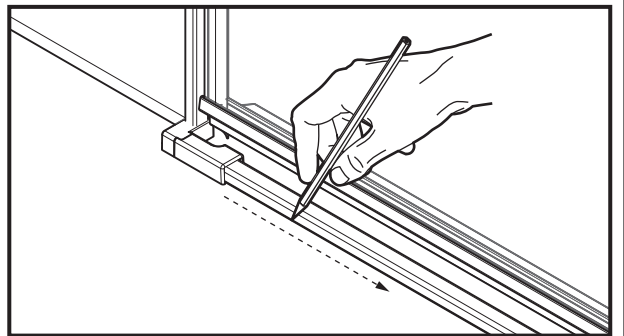
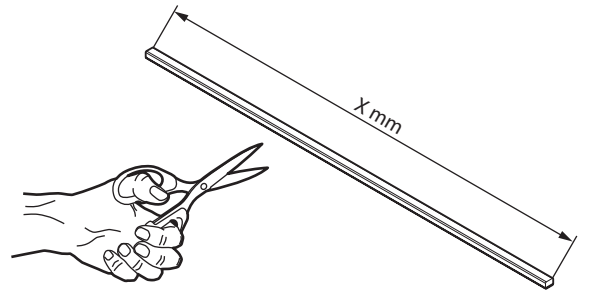
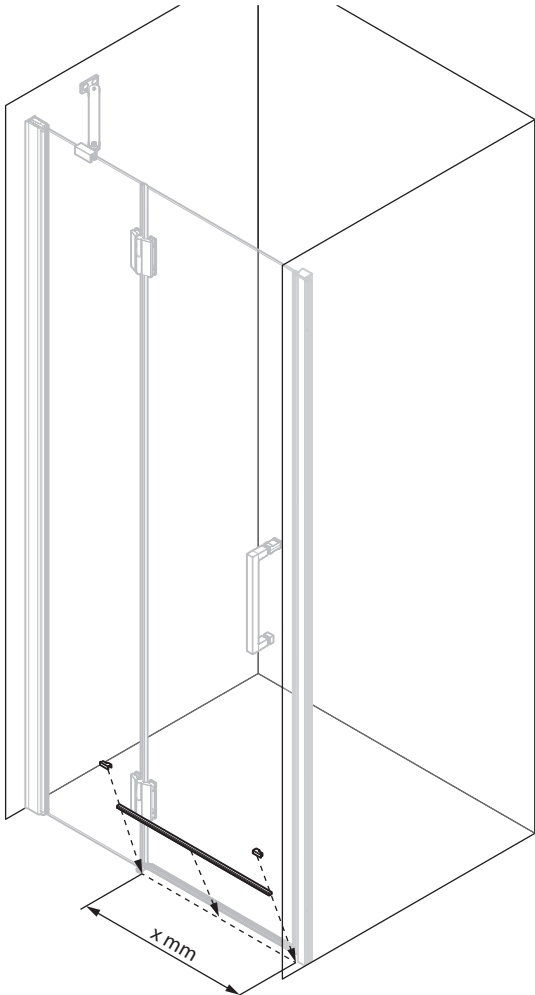




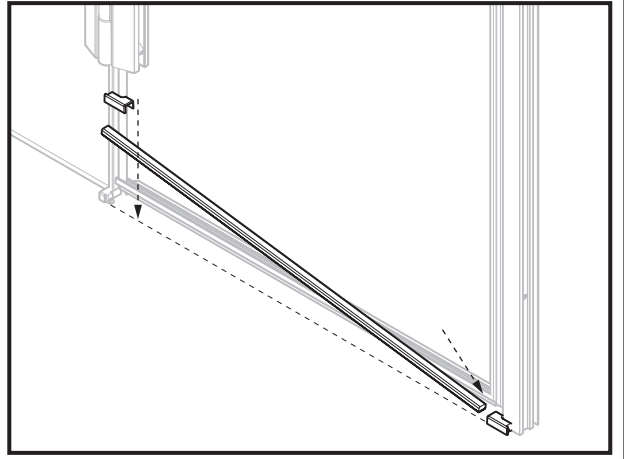
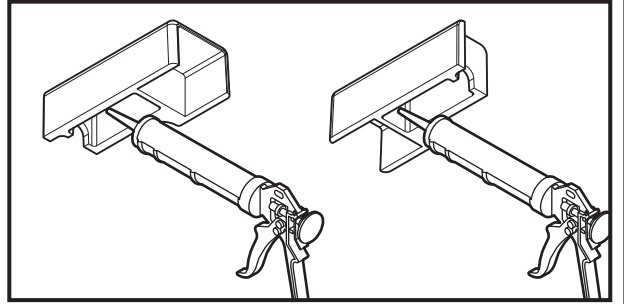
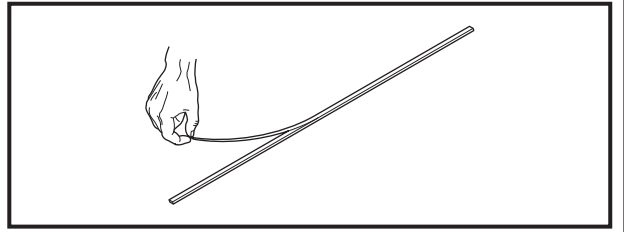
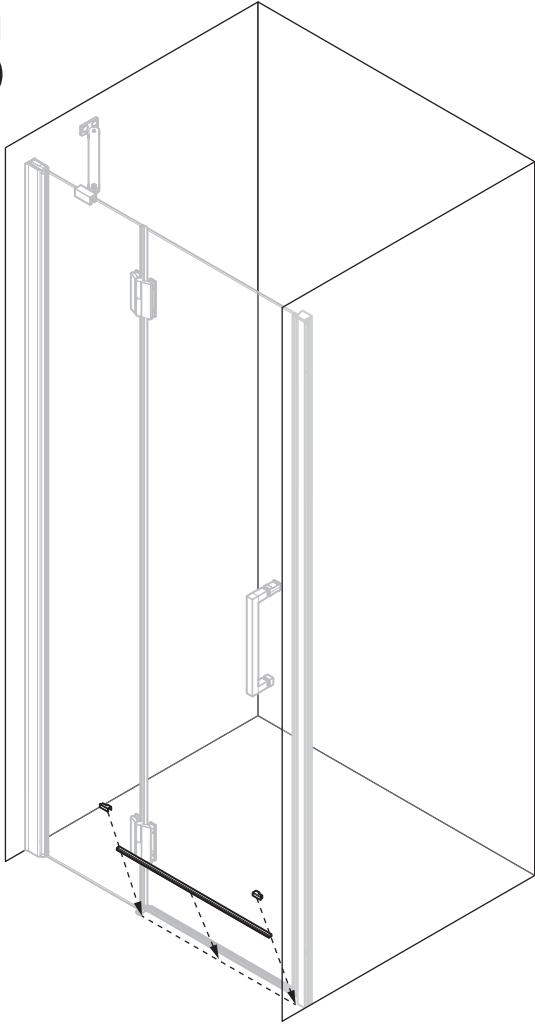
# 13



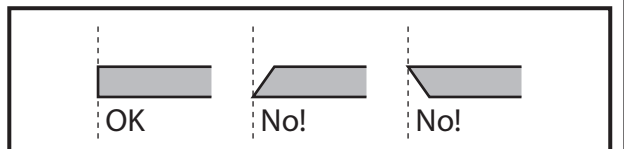
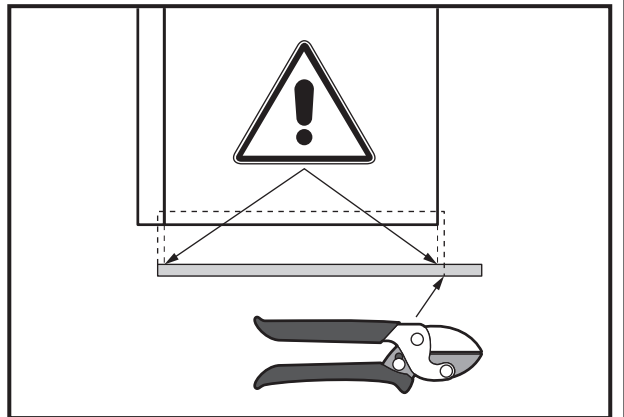
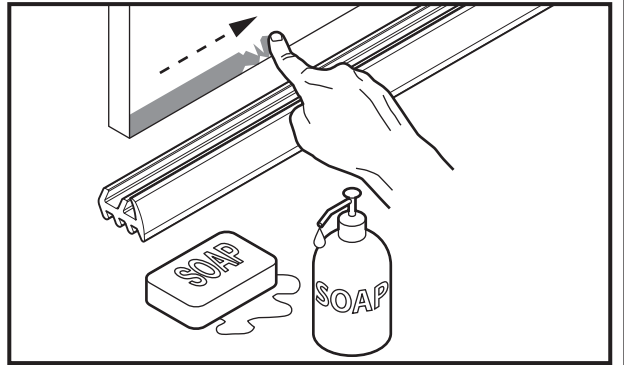
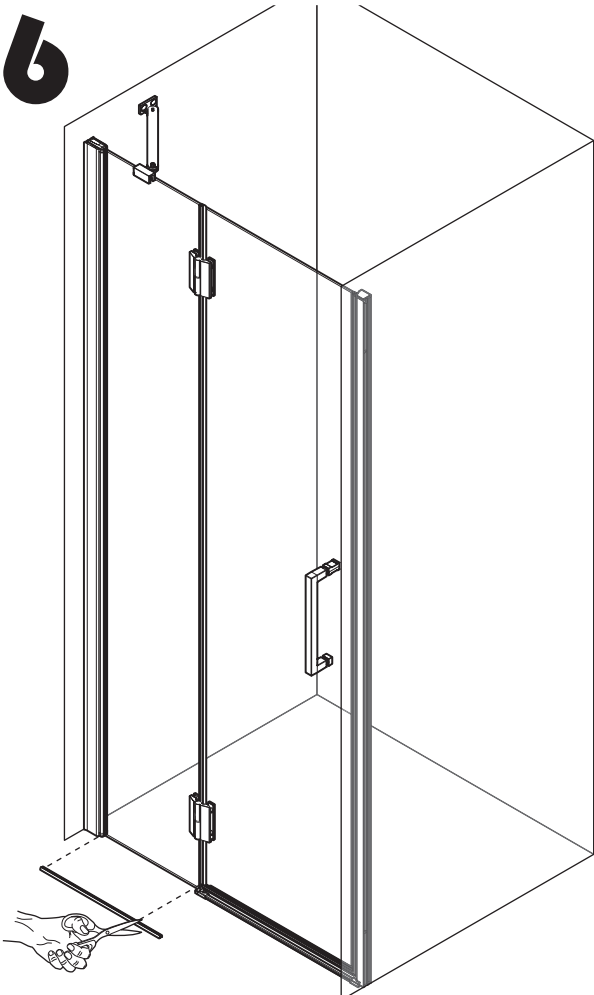
# 14



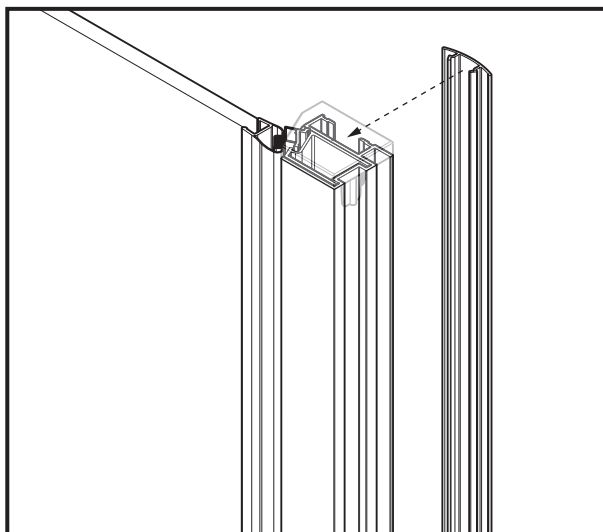
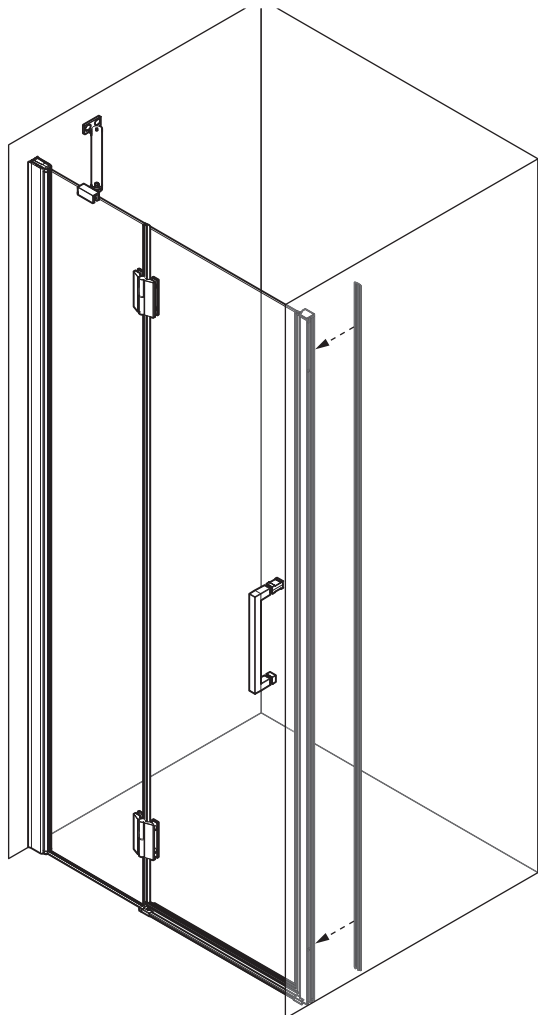
# 15



# 16



# 17



# 18

