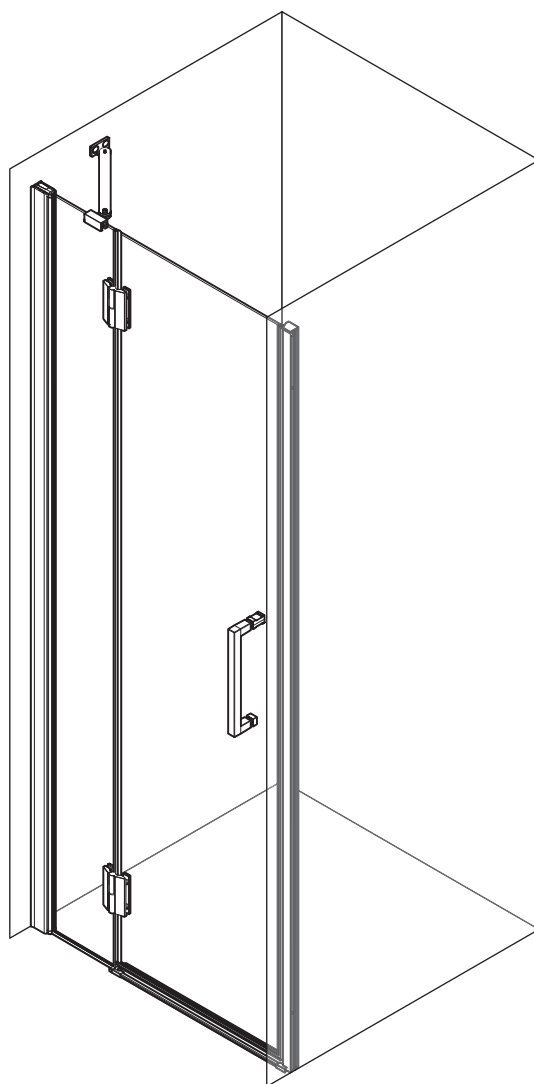
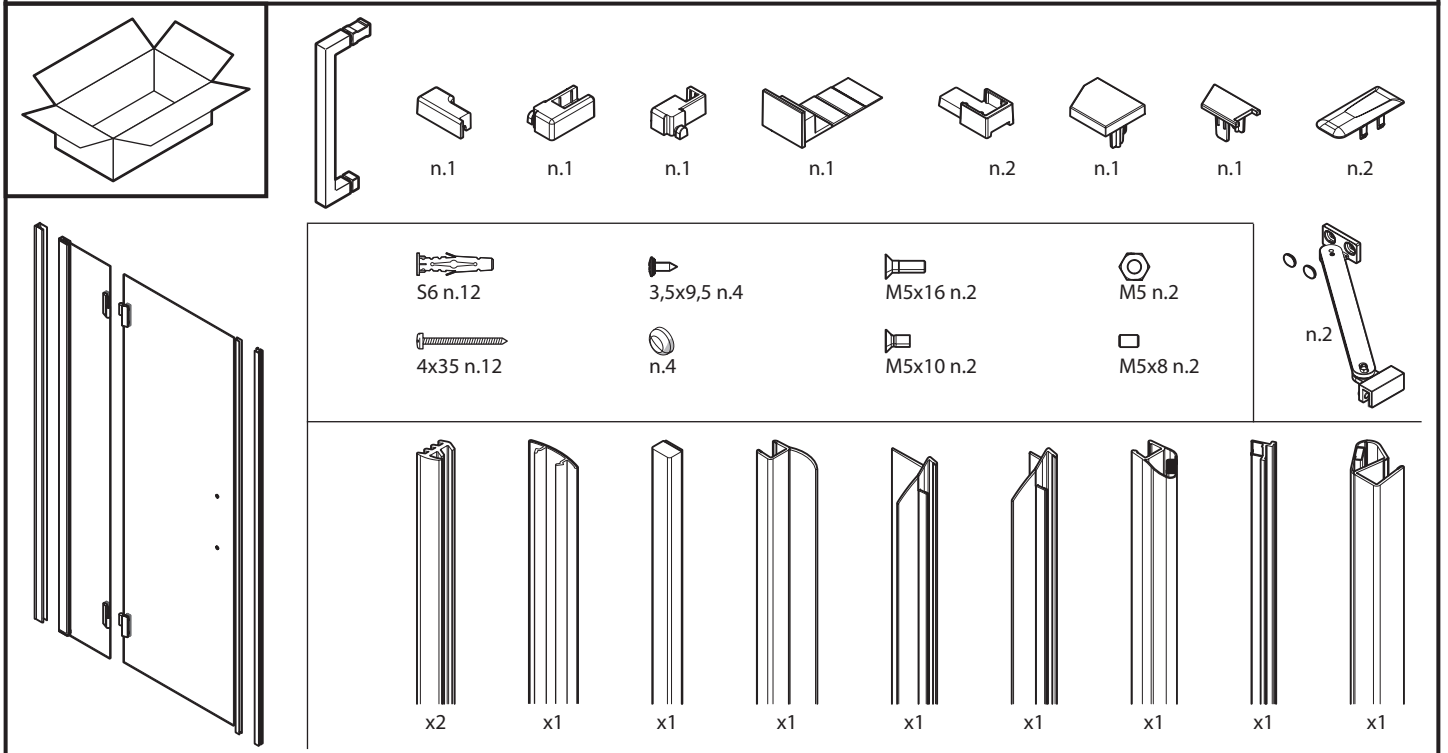
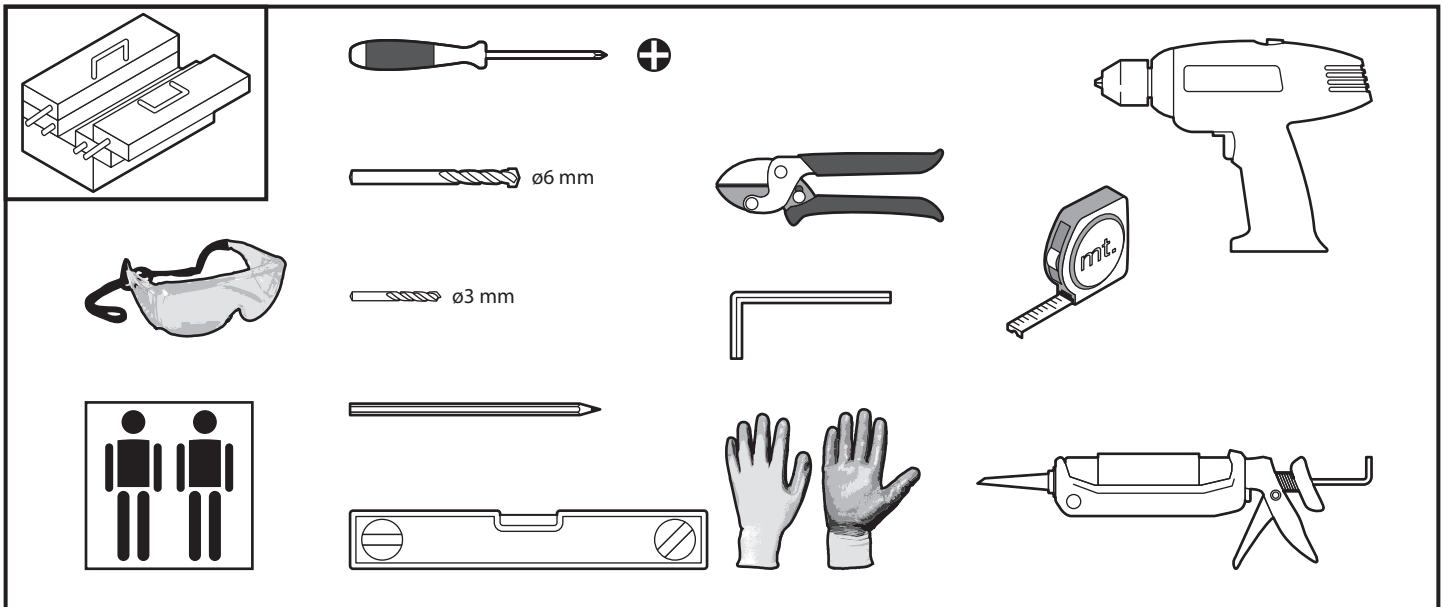


 Pag. 3



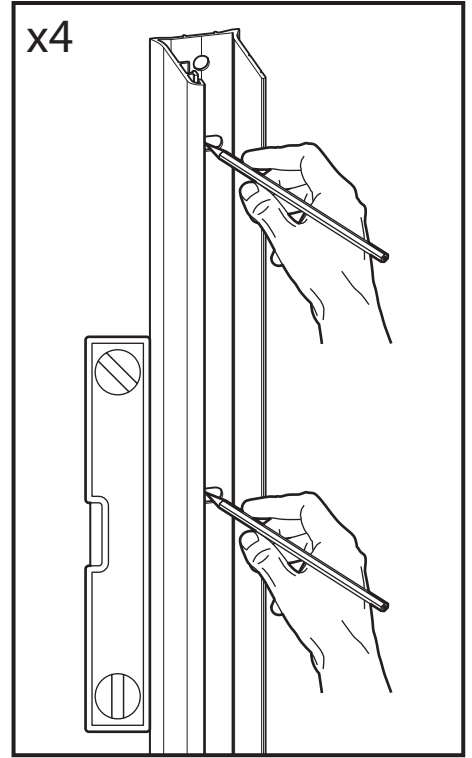
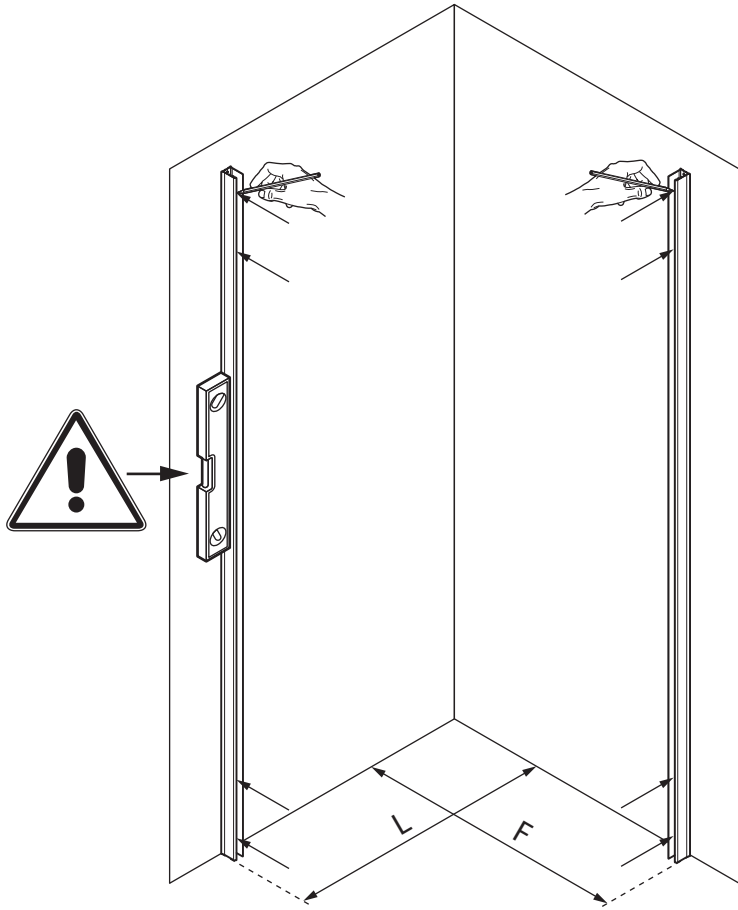
 Pag. 11



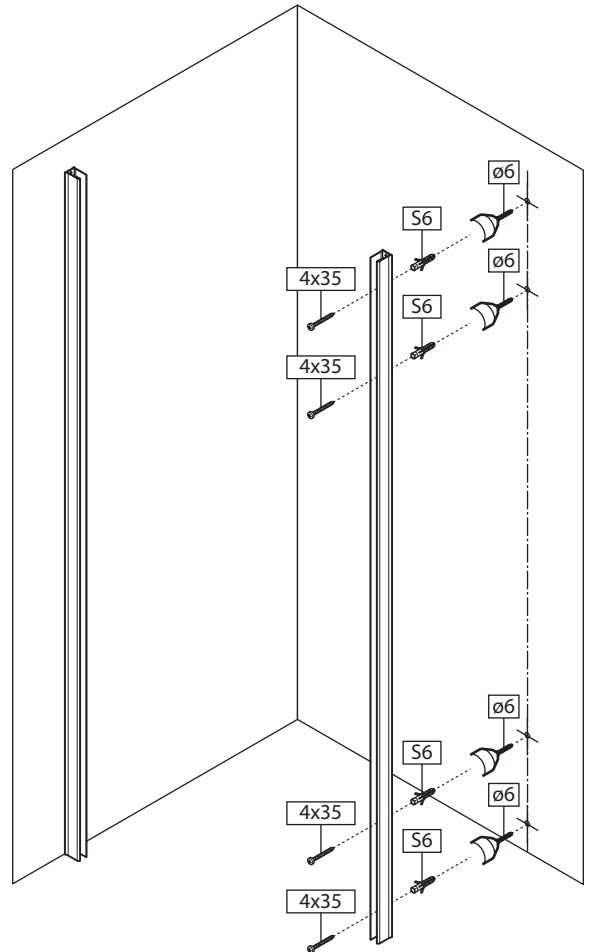
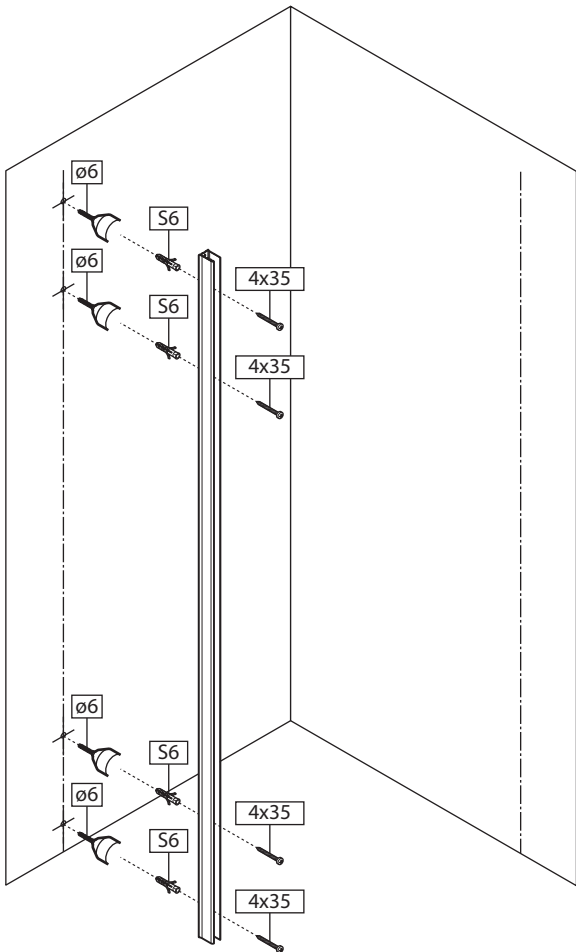
CLEANIT OR WATER ONLY

	F	L
F70	66,5/69,5	G70 67,5/70,5
F75	71,5/74,5	G75 72,5/75,5
F80	76,5/79,5	G80 77,5/80,5
F85	81,5/84,5	G85 82,5/85,5
F90	86,5/89,5	G90 87,5/90,5
F95	91,5/94,5	G95 92,5/95,5
F100	96,5/99,5	G100 97,5/100,5
F110	106,5/109,5	G110 107,5/110,5
F120	116,5/119,5	

1

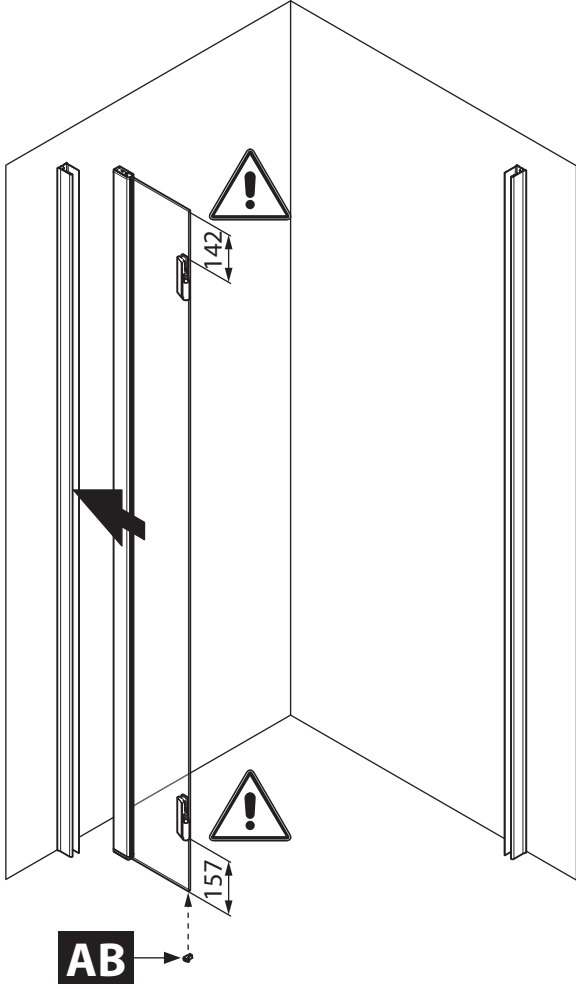


2

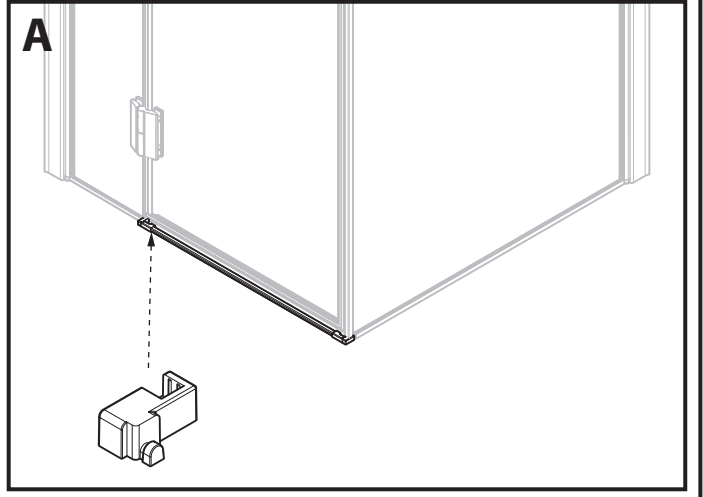


3

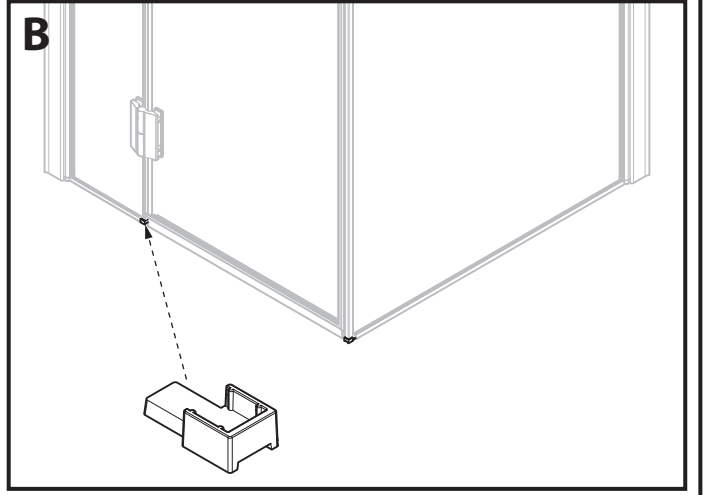
3



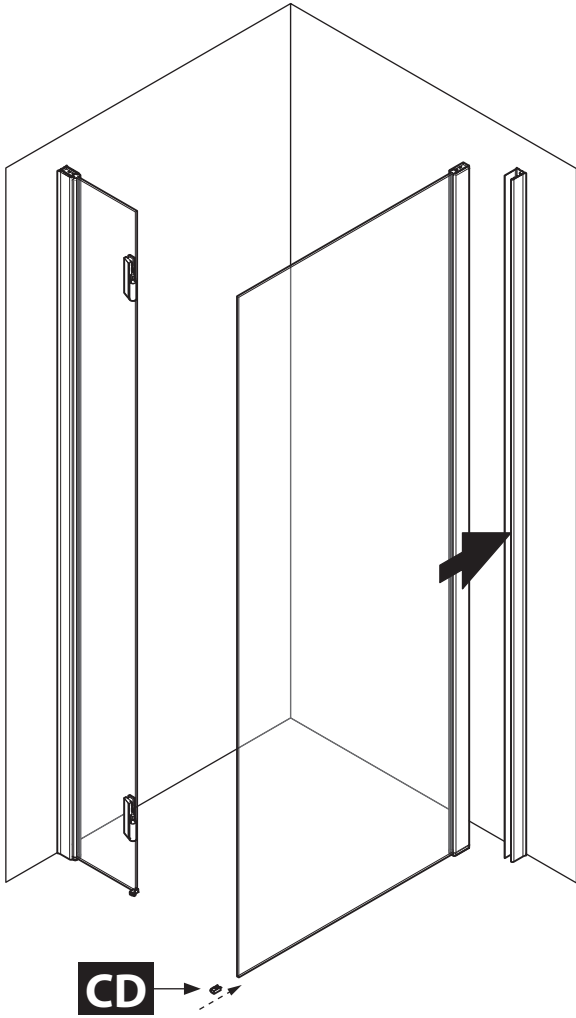
(mod. A) with low profiles



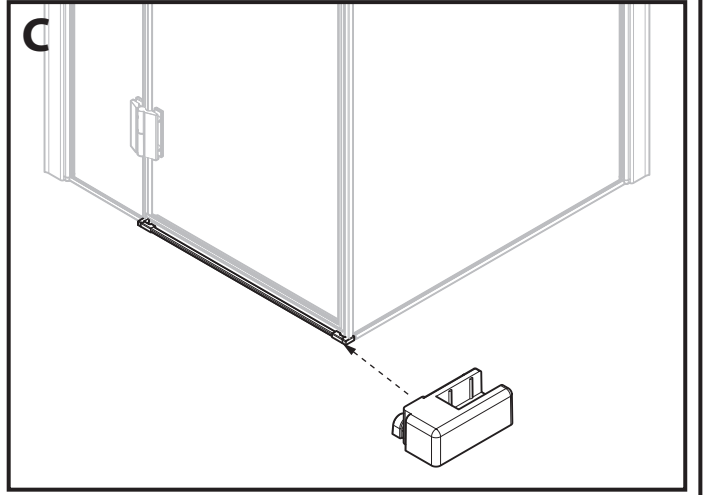
(mod. B) no profiles



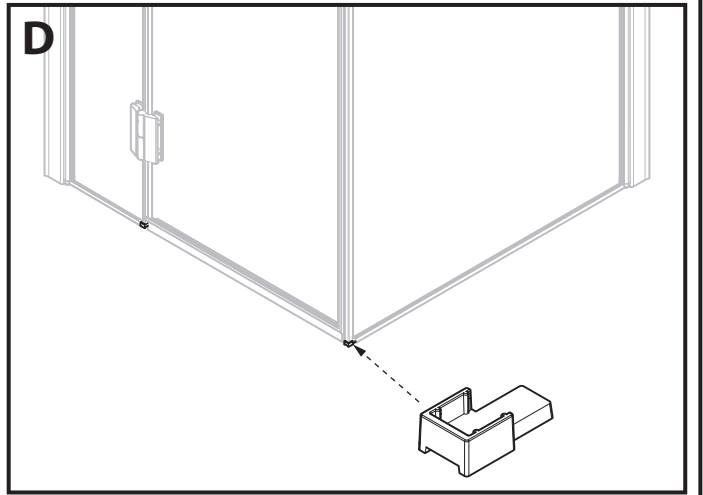
4



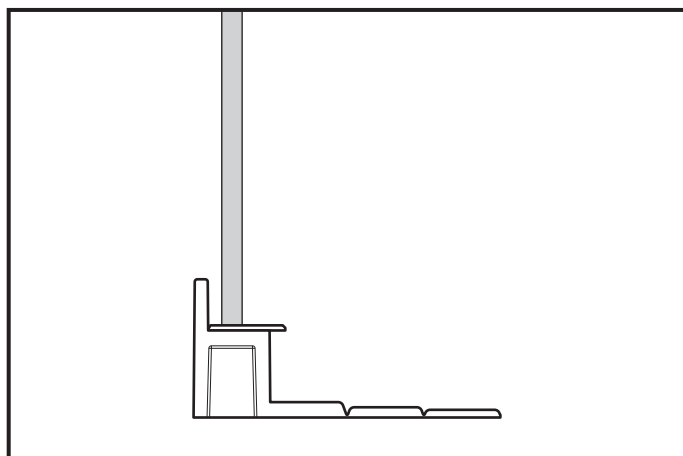
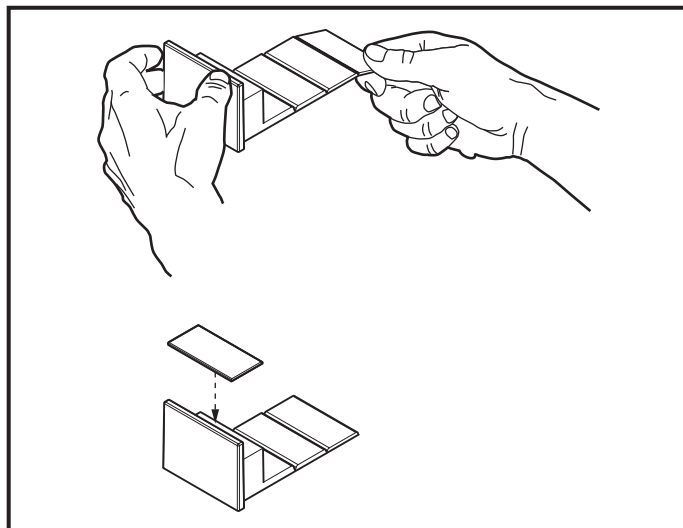
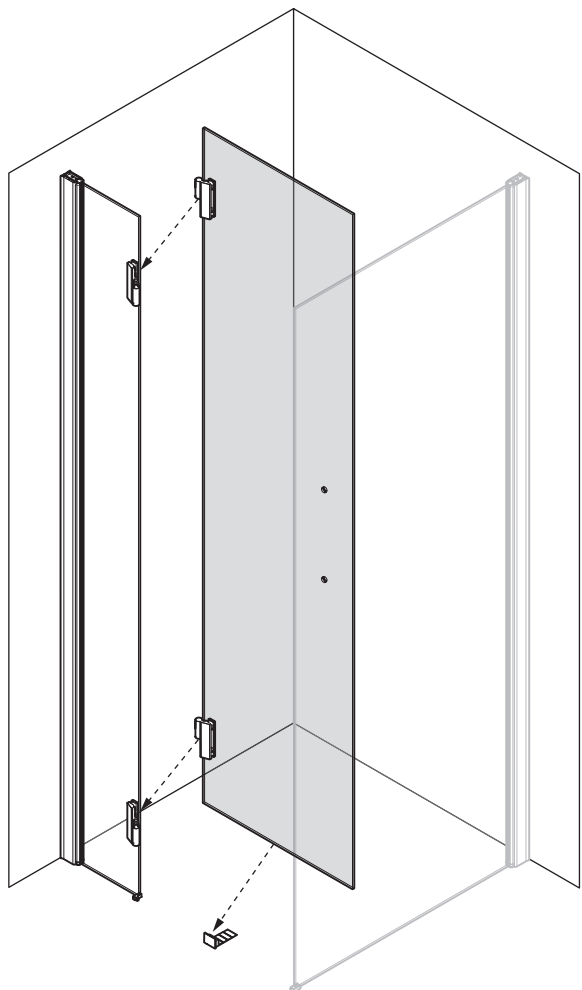
(mod. A) with low profiles



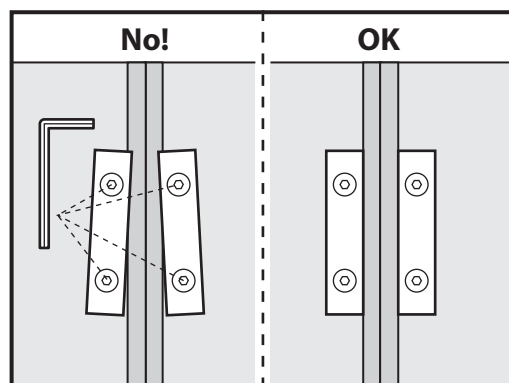
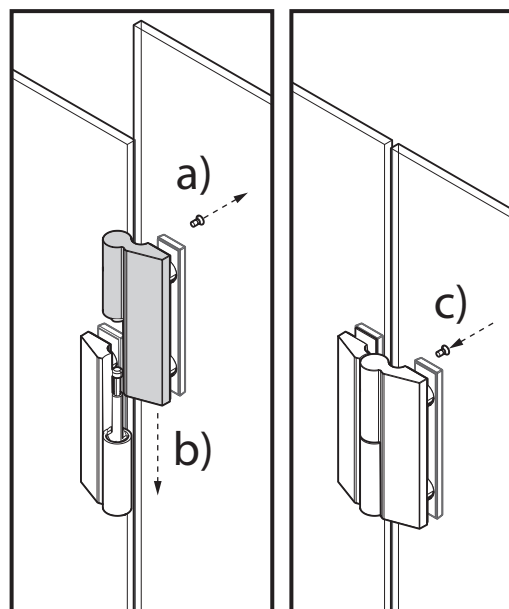
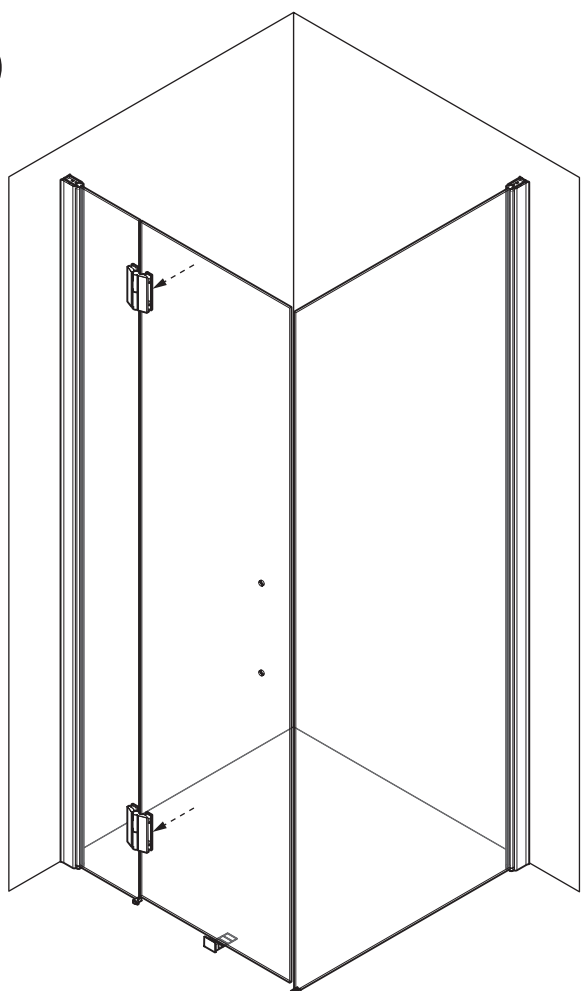
(mod. B) no profiles



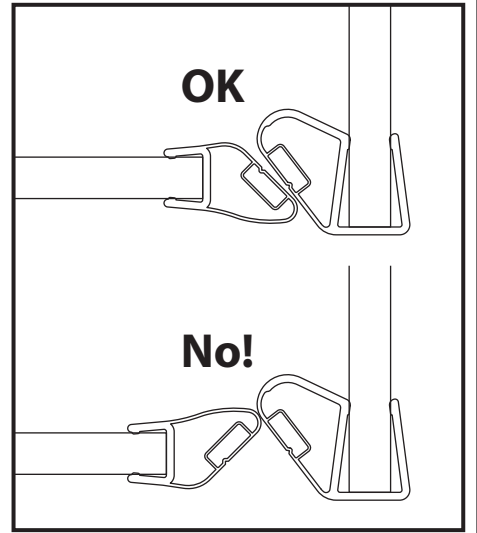
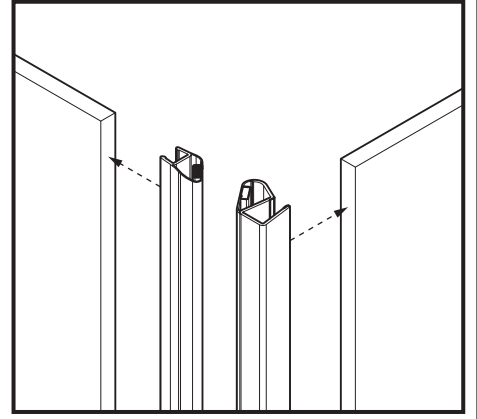
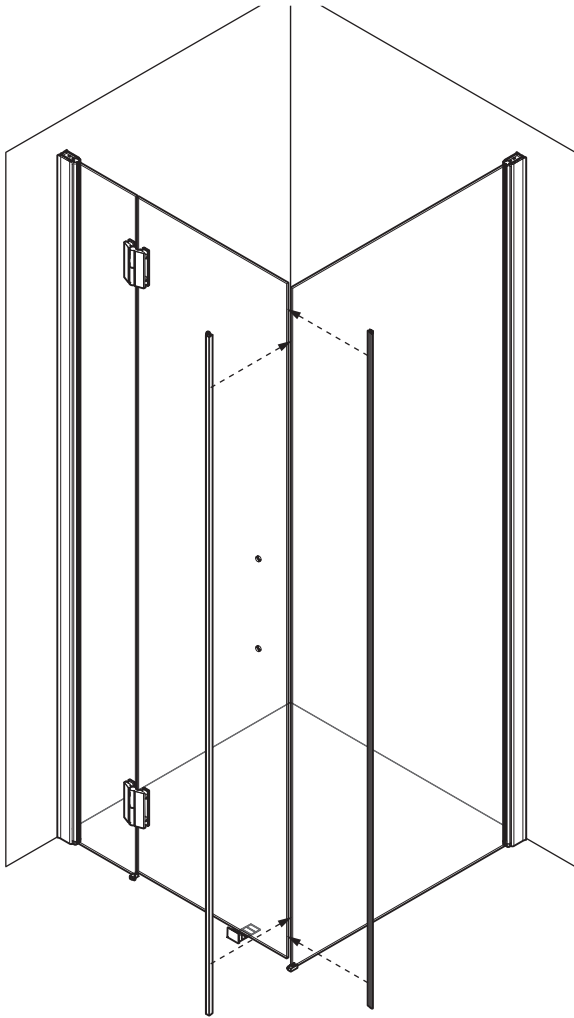
5



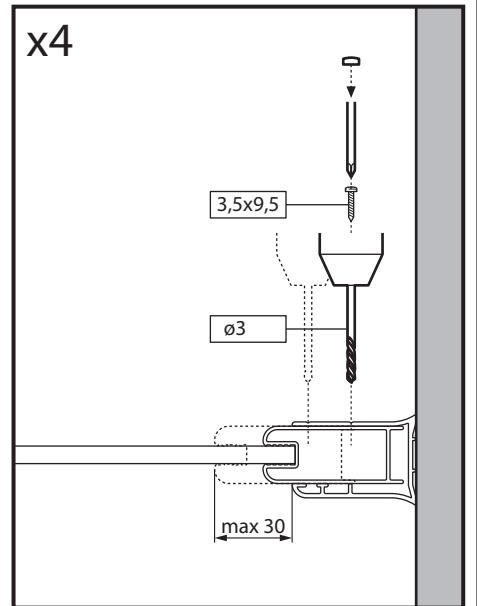
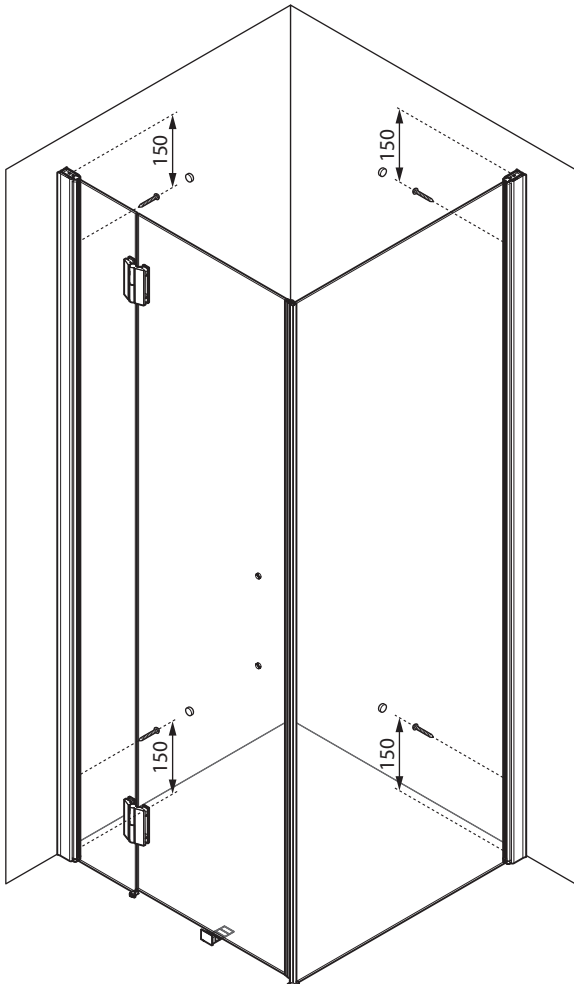
6



7

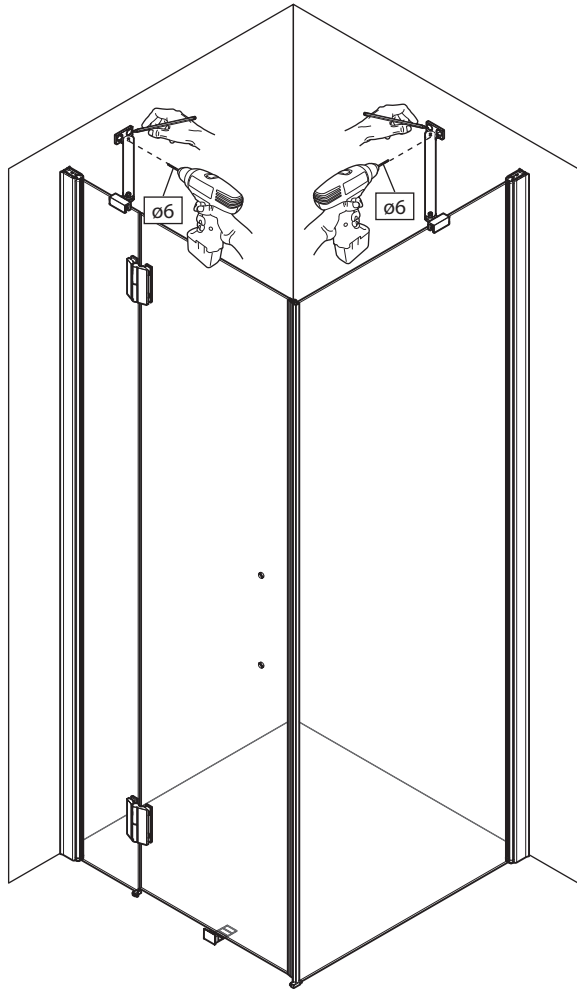


8

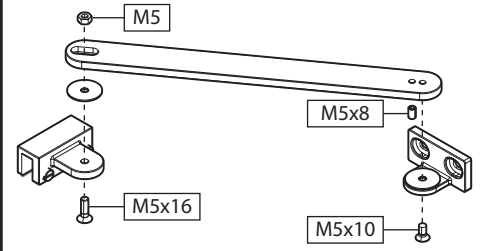


6

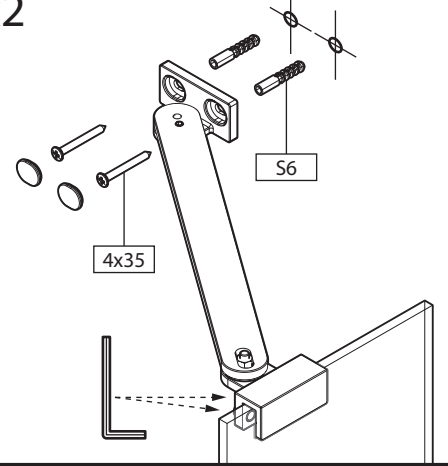
9



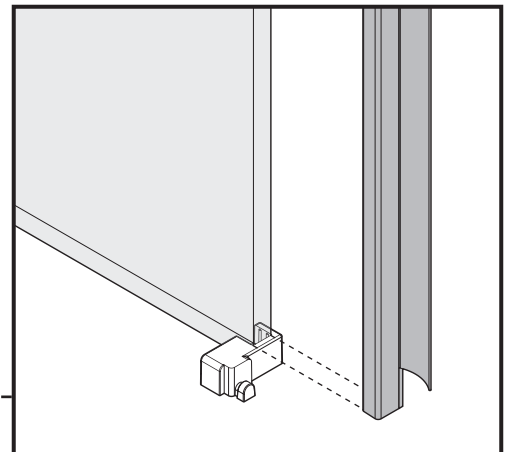
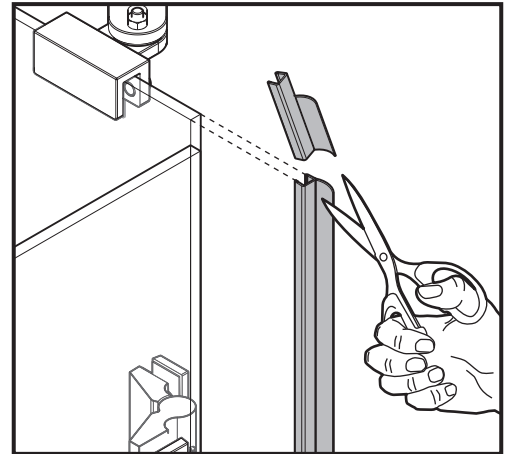
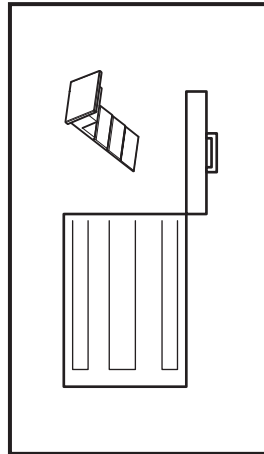
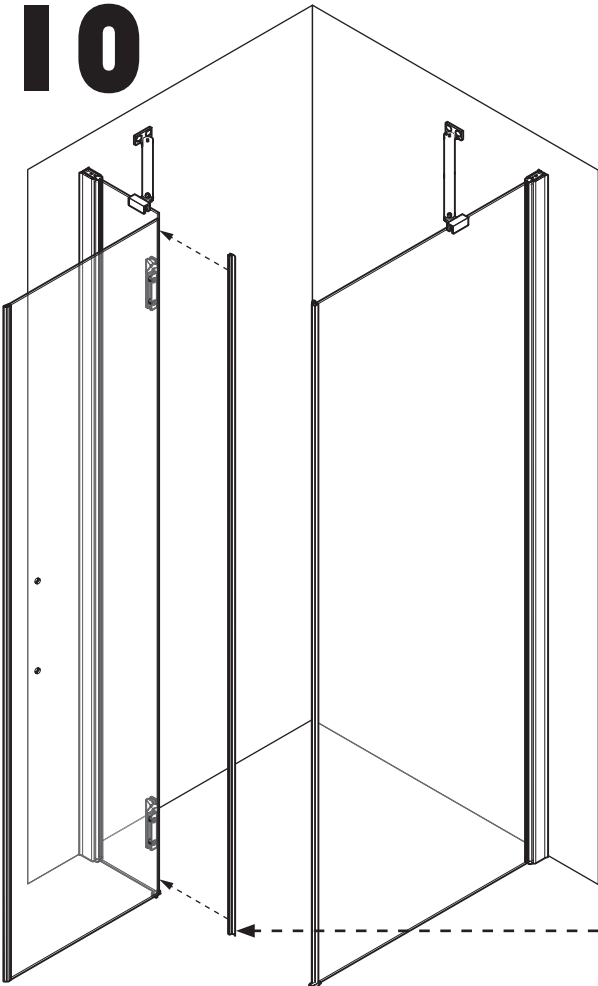
x2

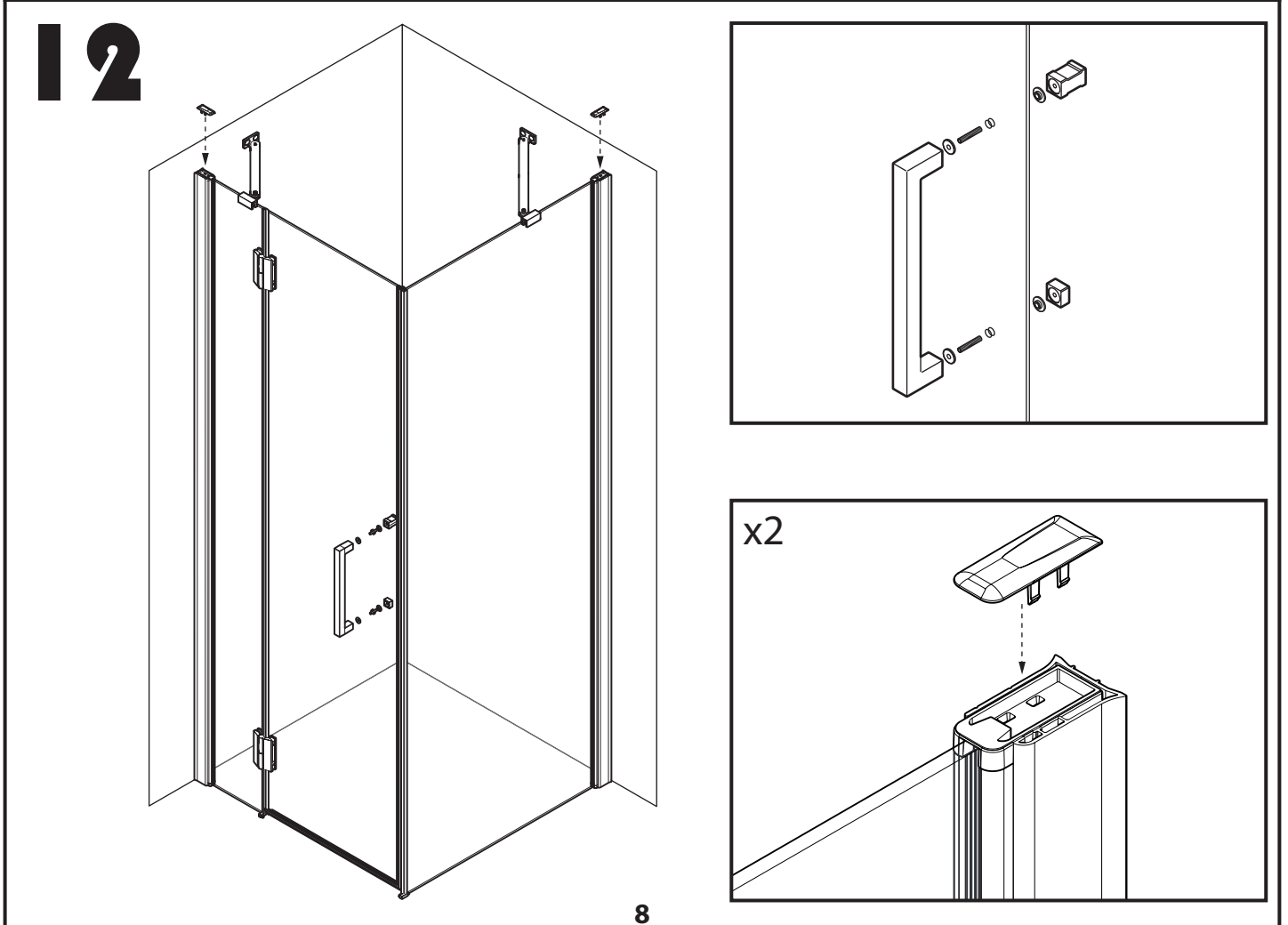
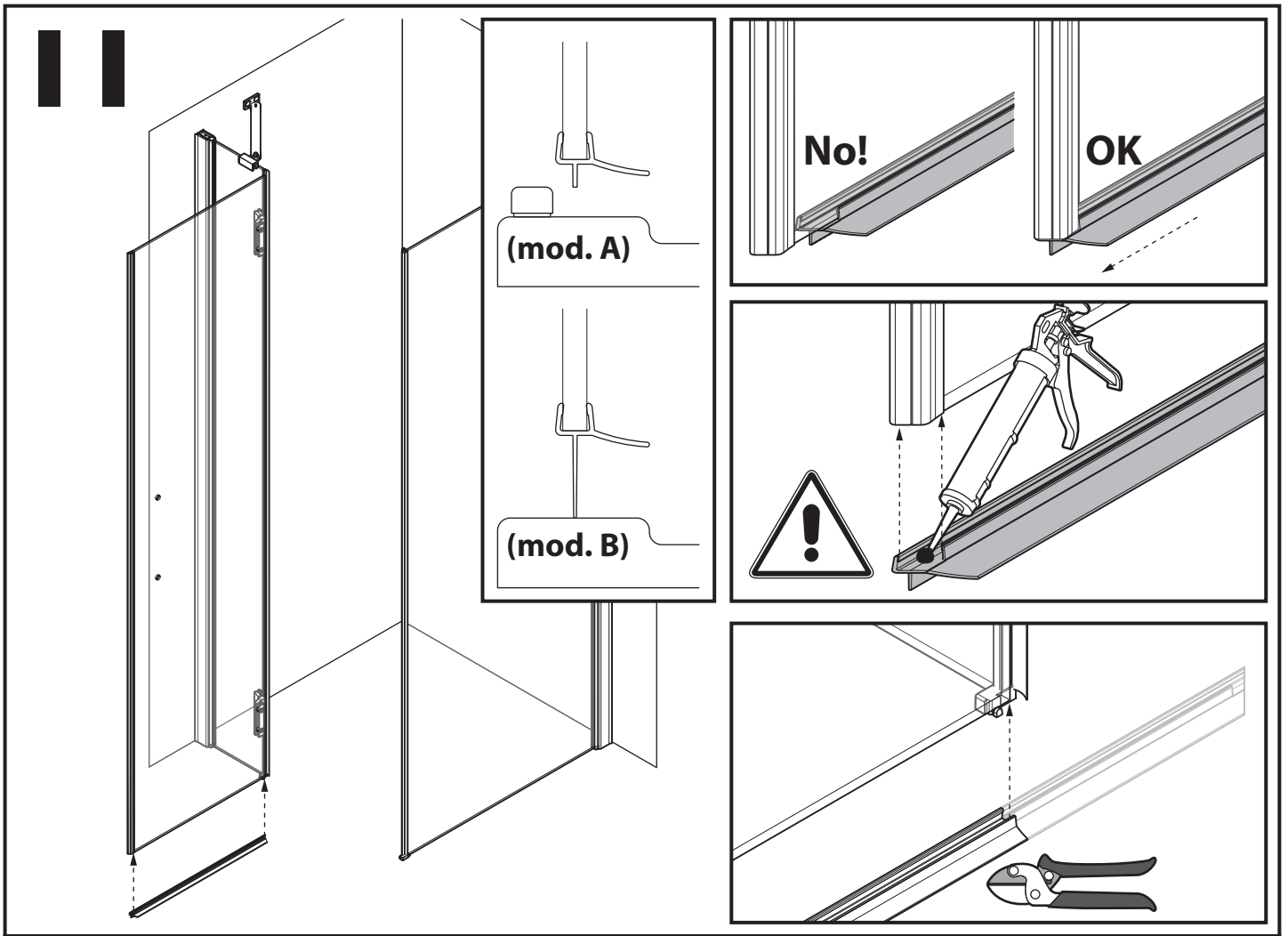


x2

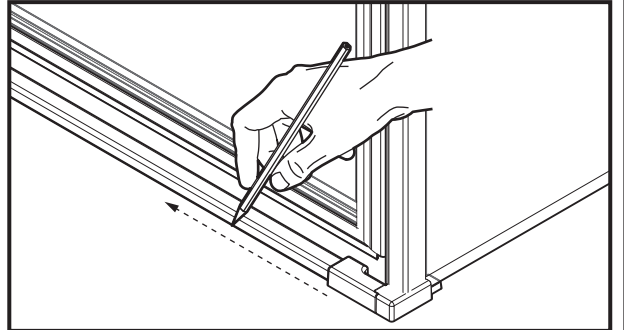
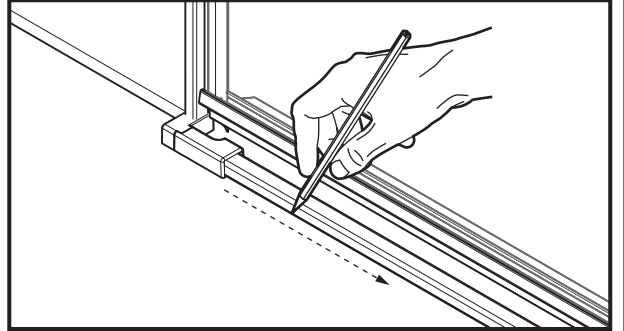
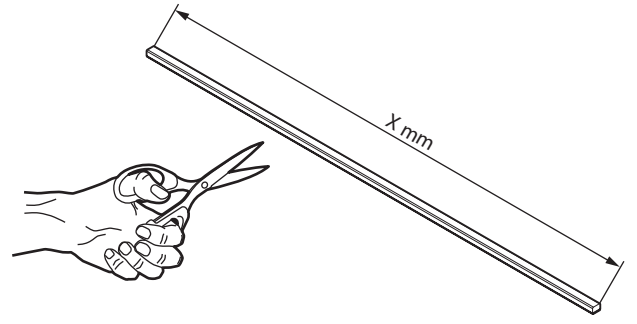


10

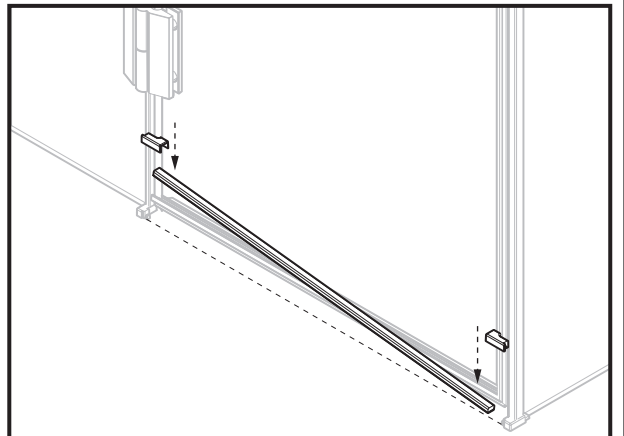
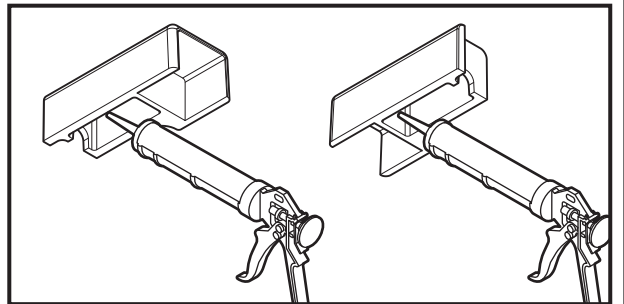
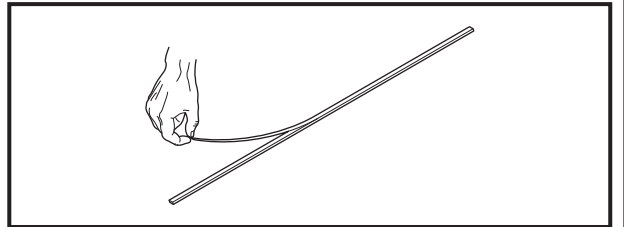
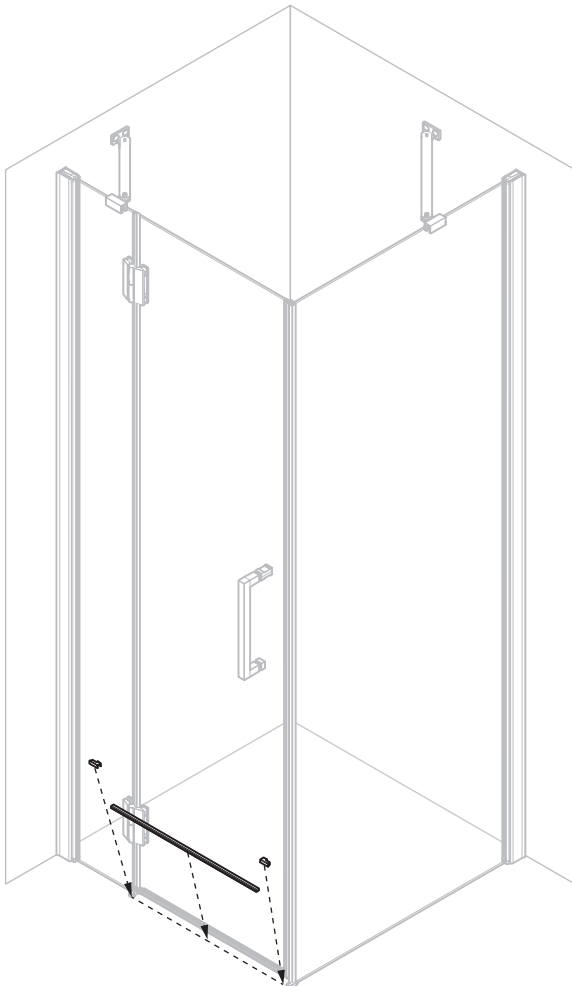




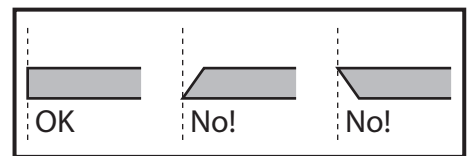
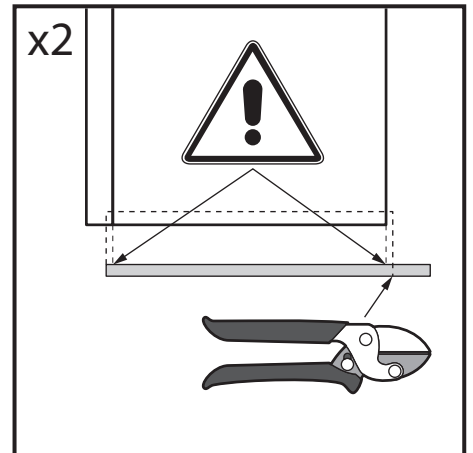
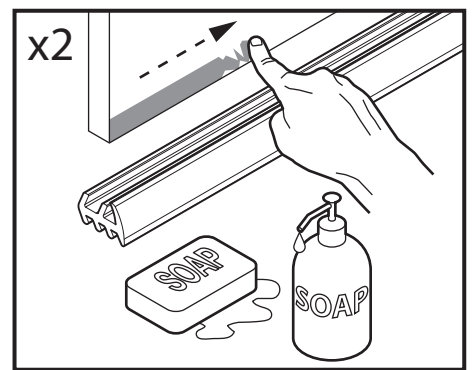
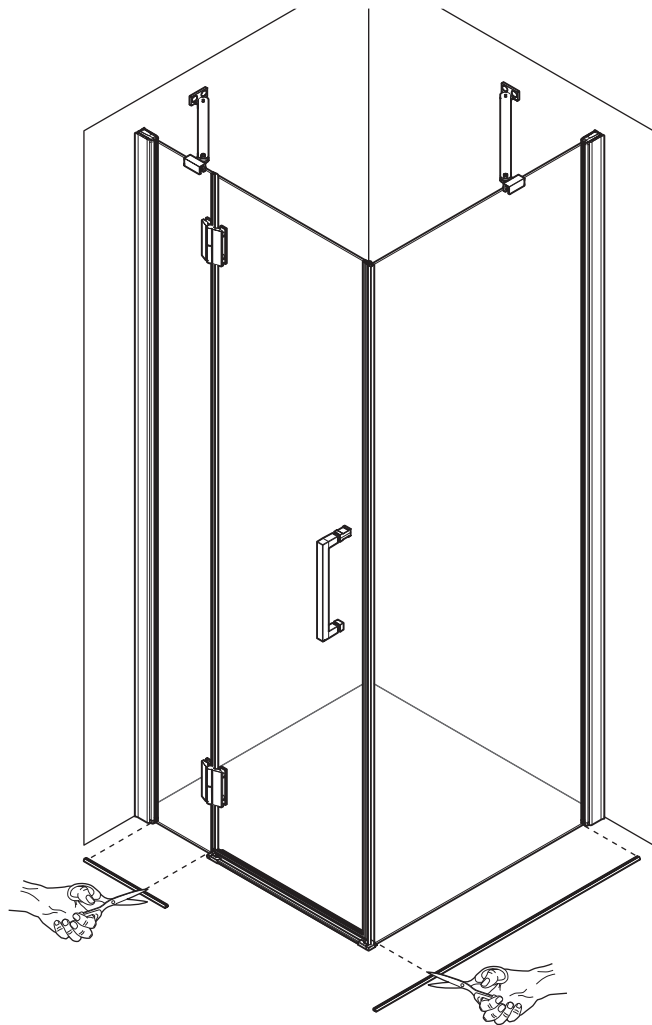
13



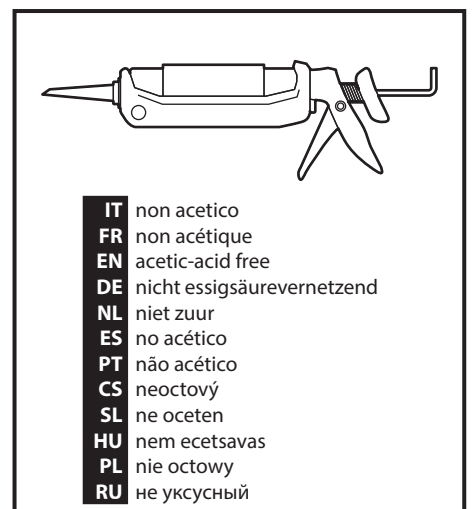
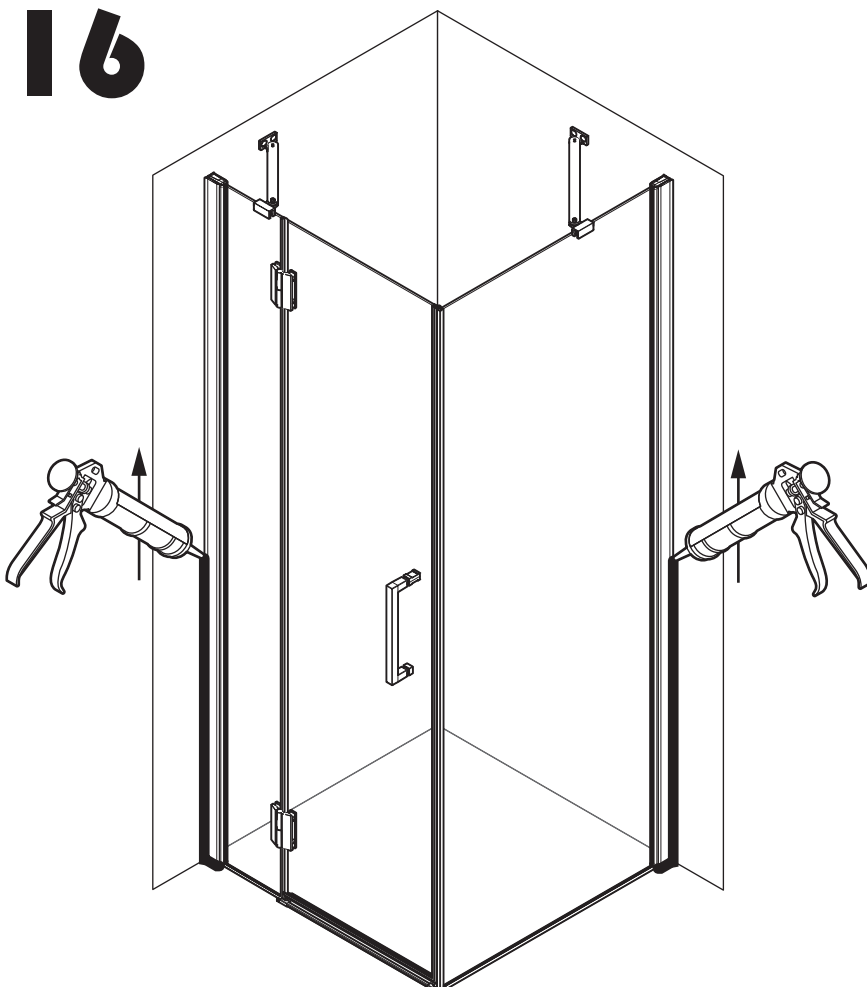
14

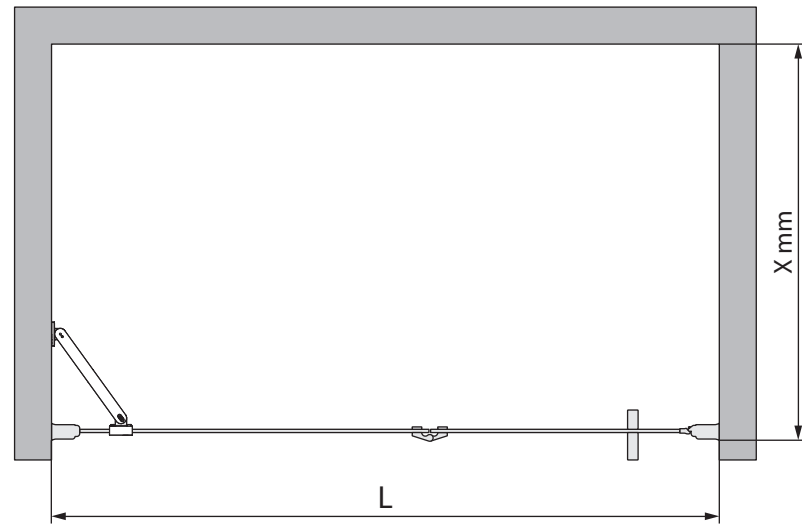


15

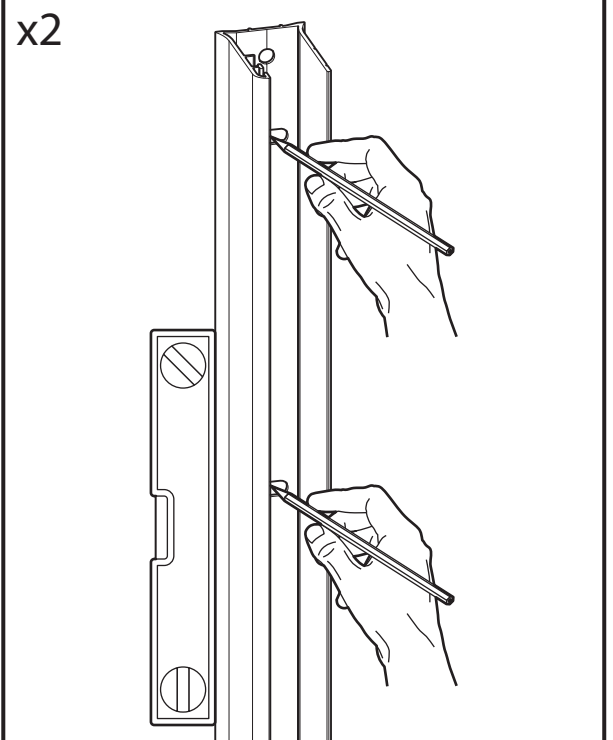
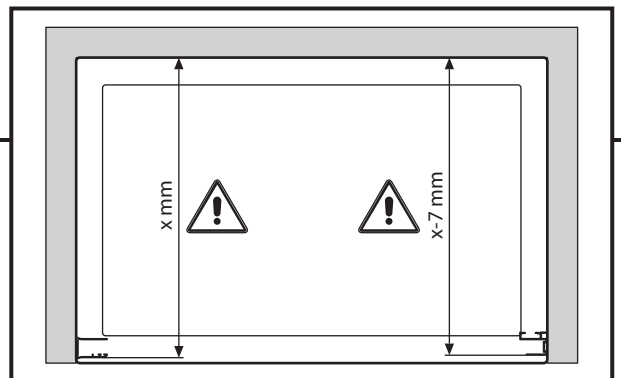
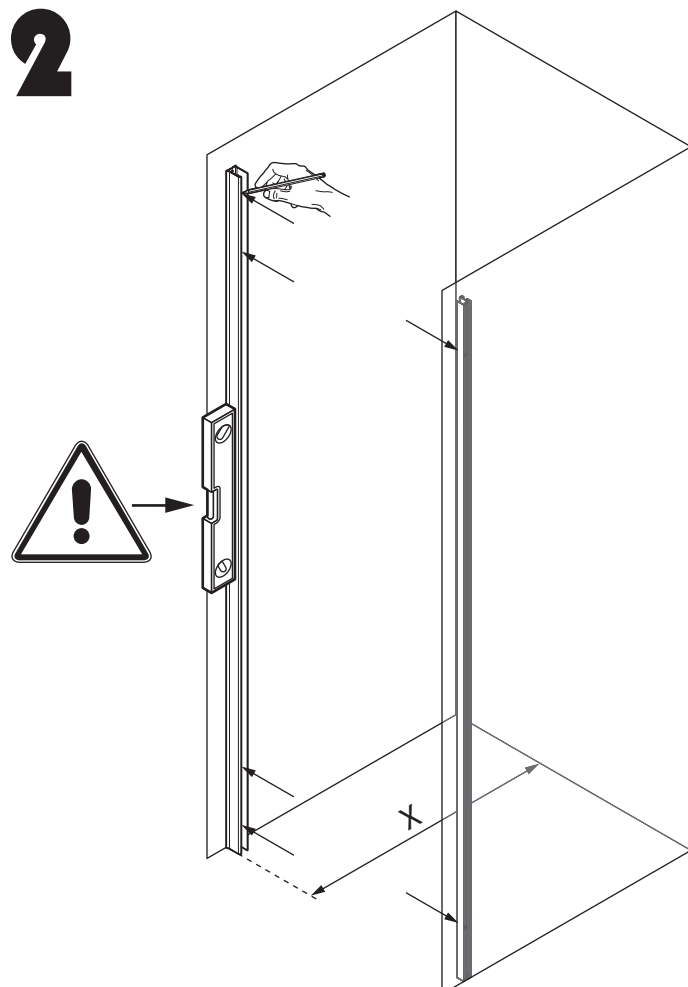


16

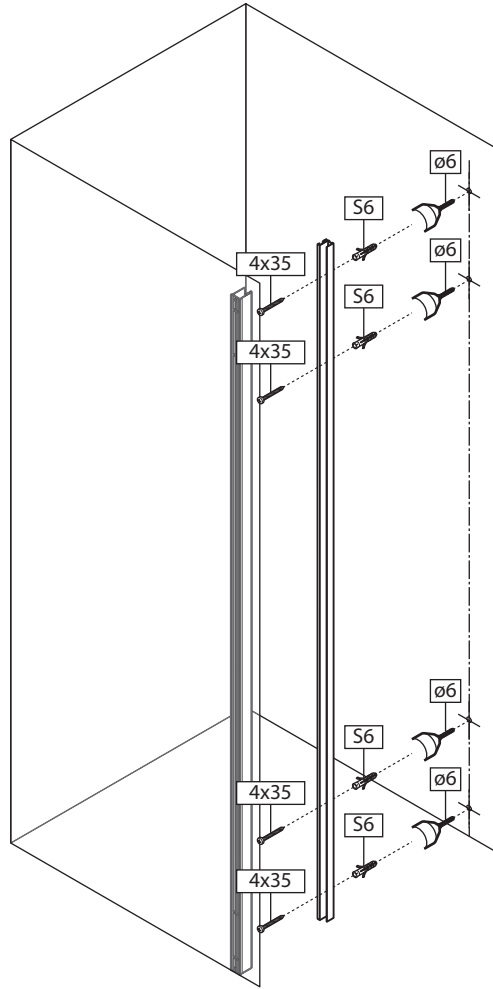
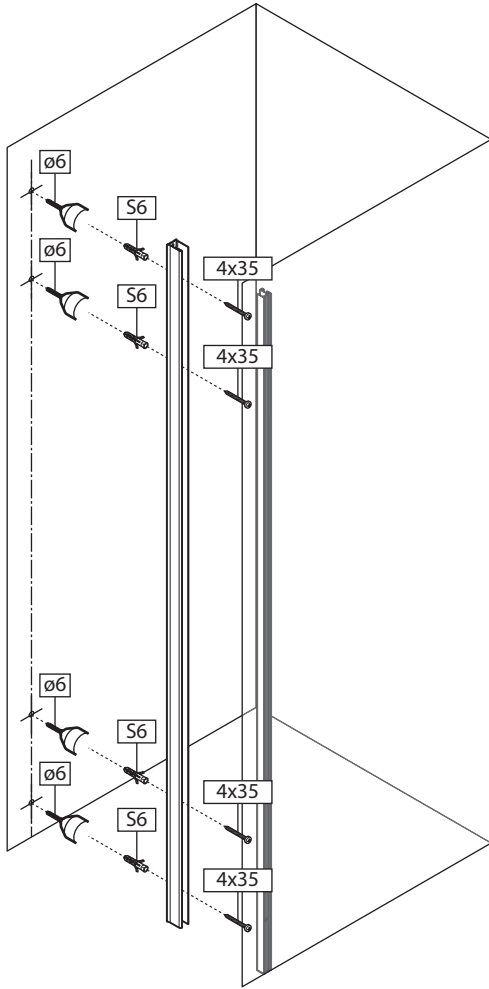


1

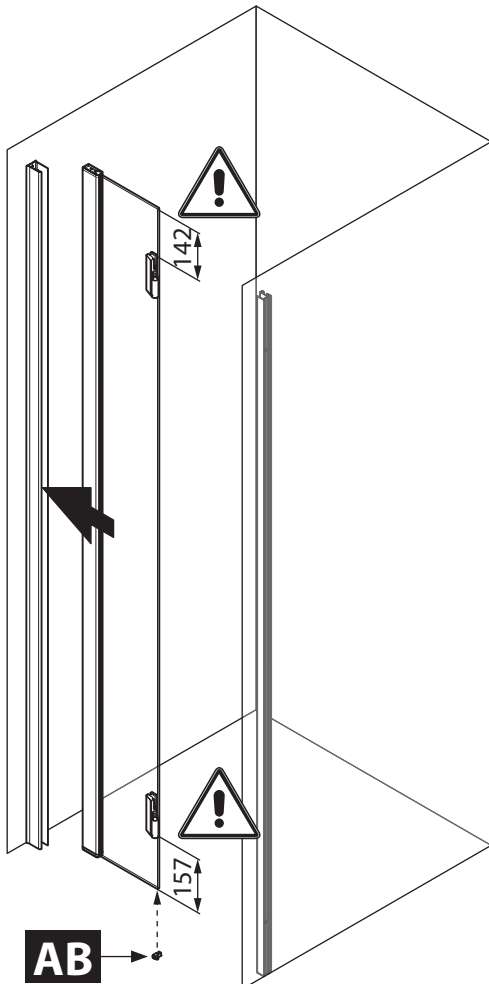
L	
G70	68/71
G75	73/76
G80	78/81
G85	83/86
G90	88/91
G95	93/96
G100	98/101
G110	108/111

2

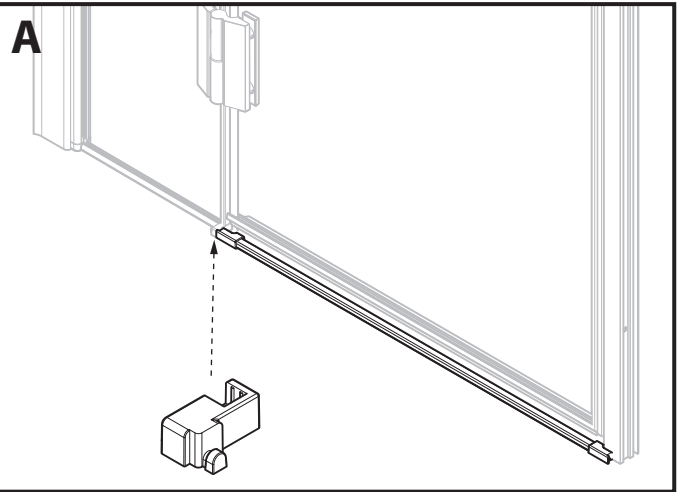
3



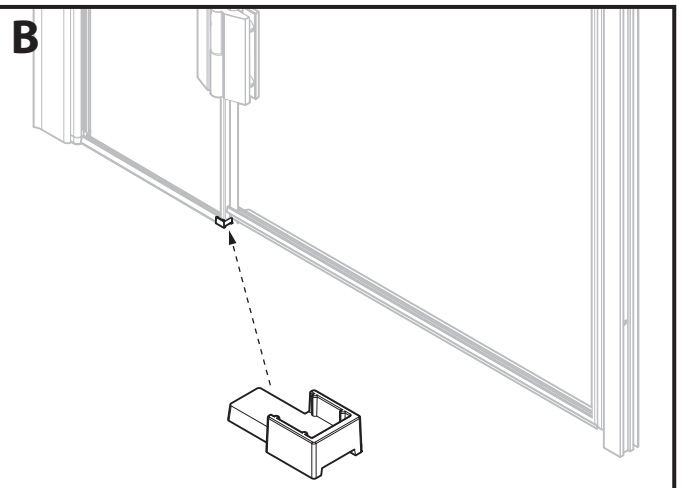
4



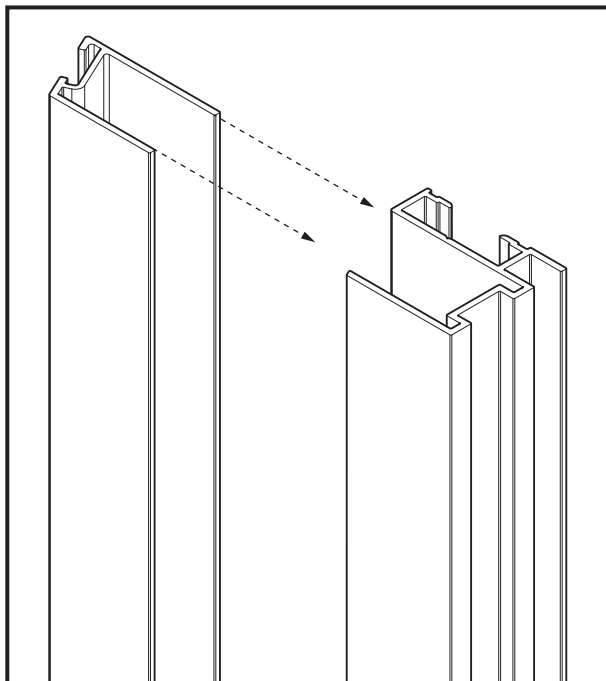
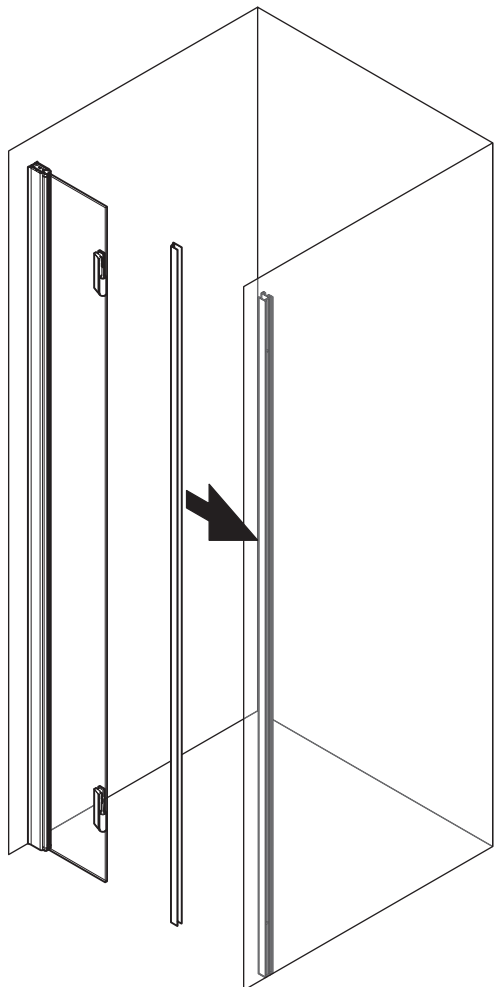
(mod. A) with low profiles



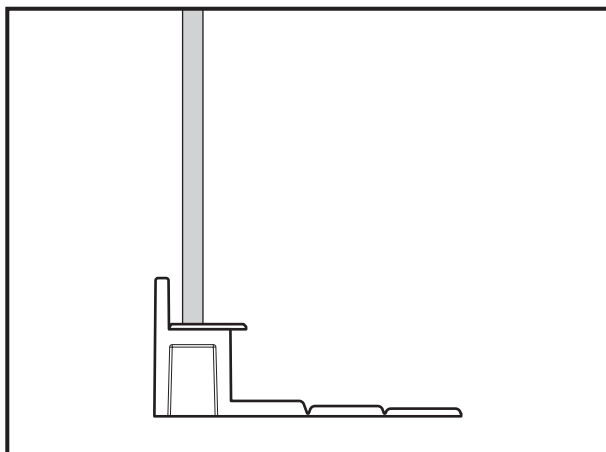
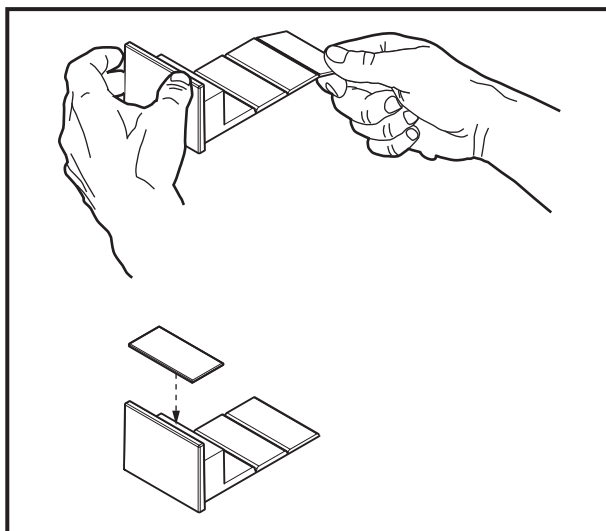
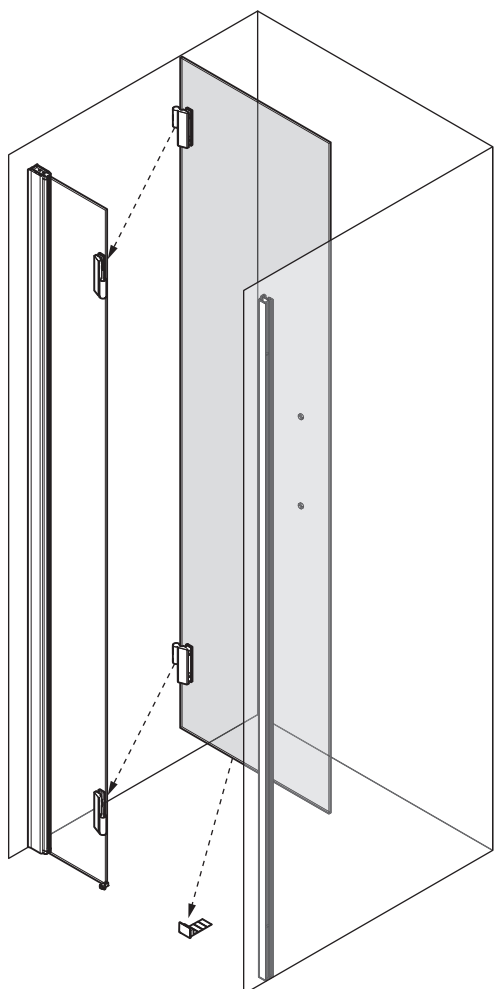
(mod. B) no profiles



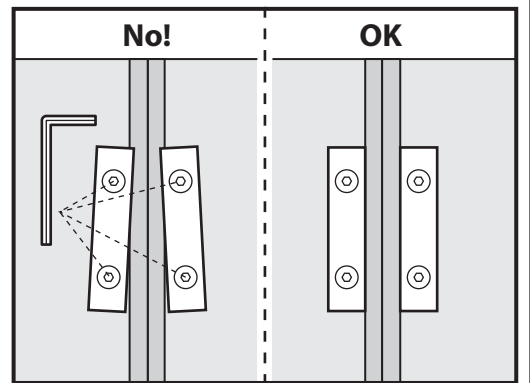
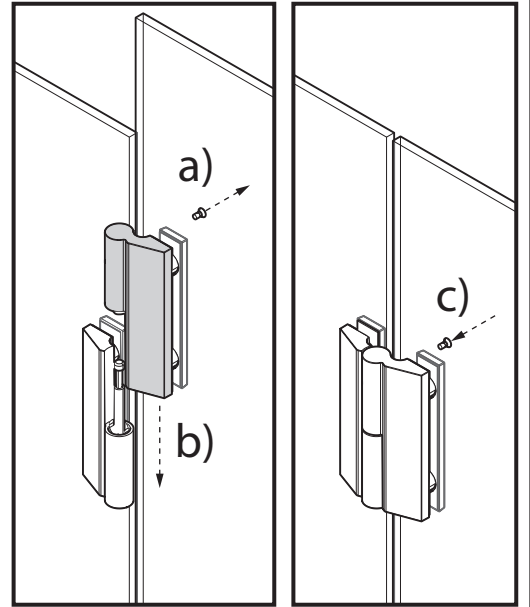
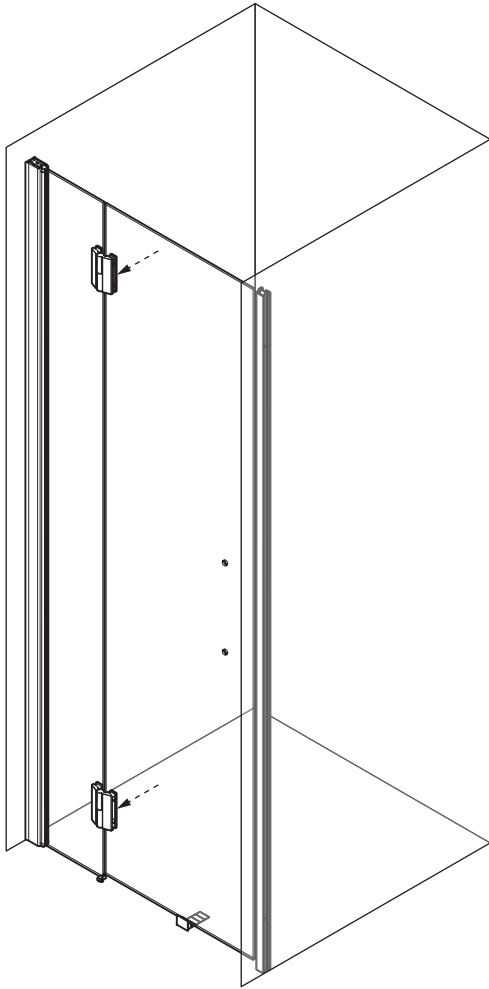
5



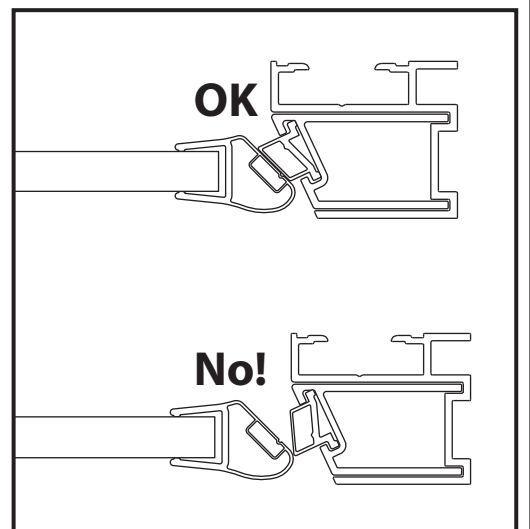
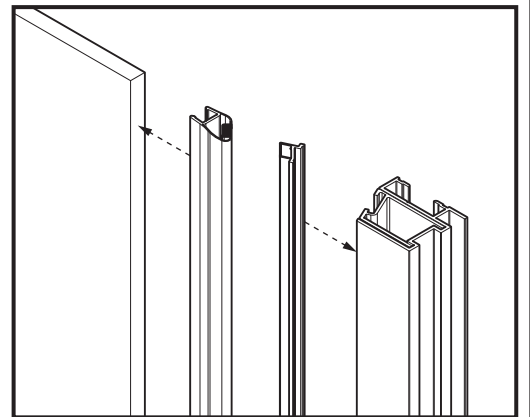
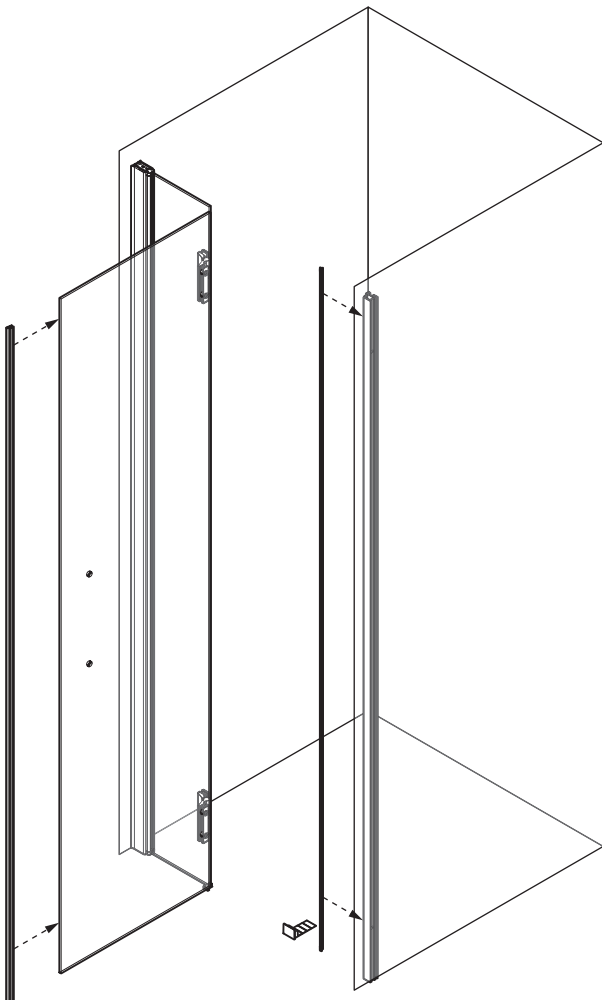
6



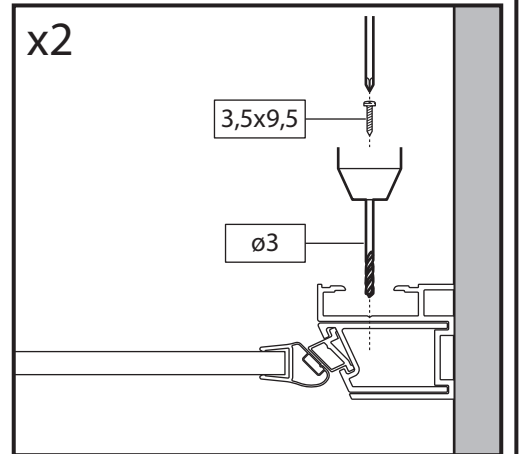
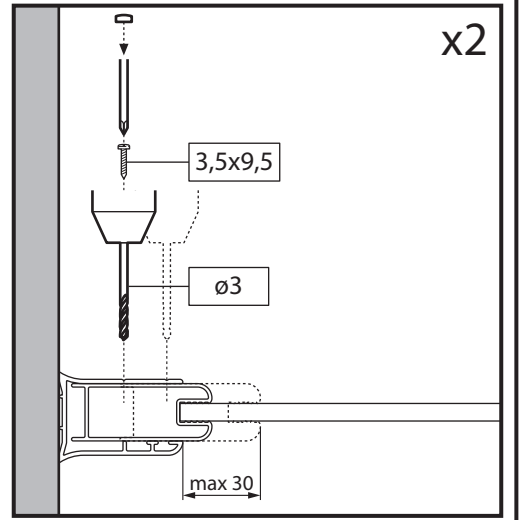
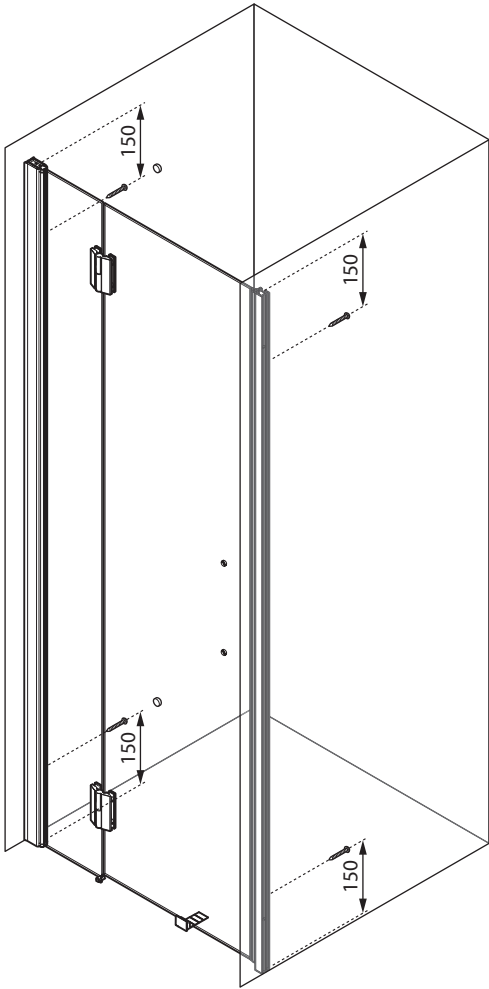
7



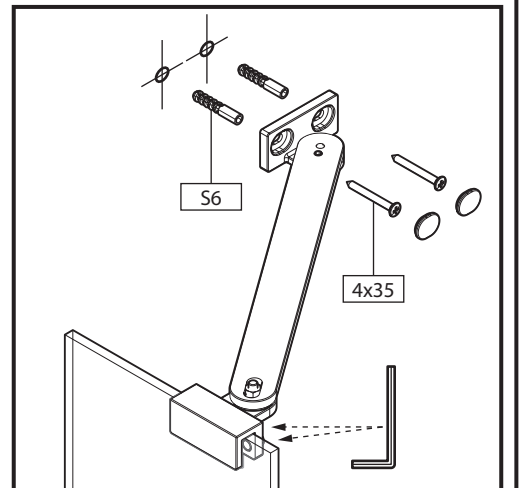
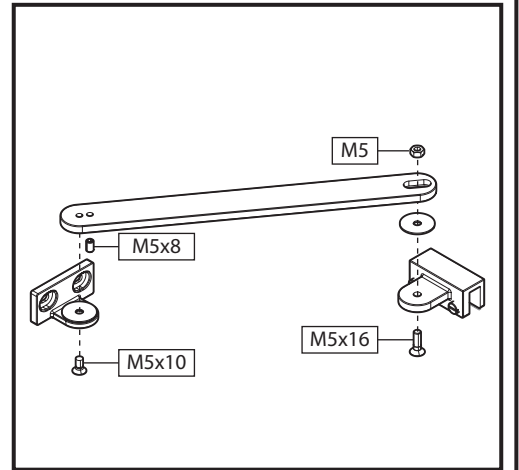
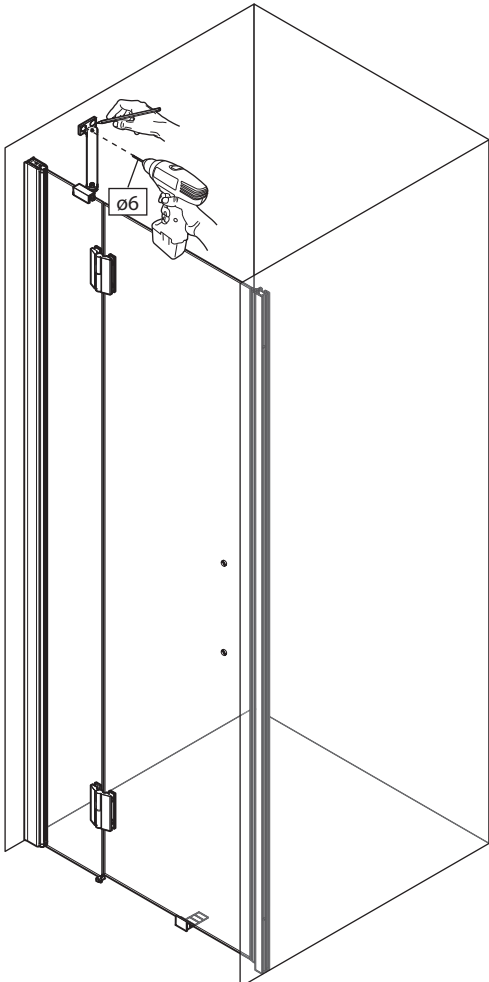
8

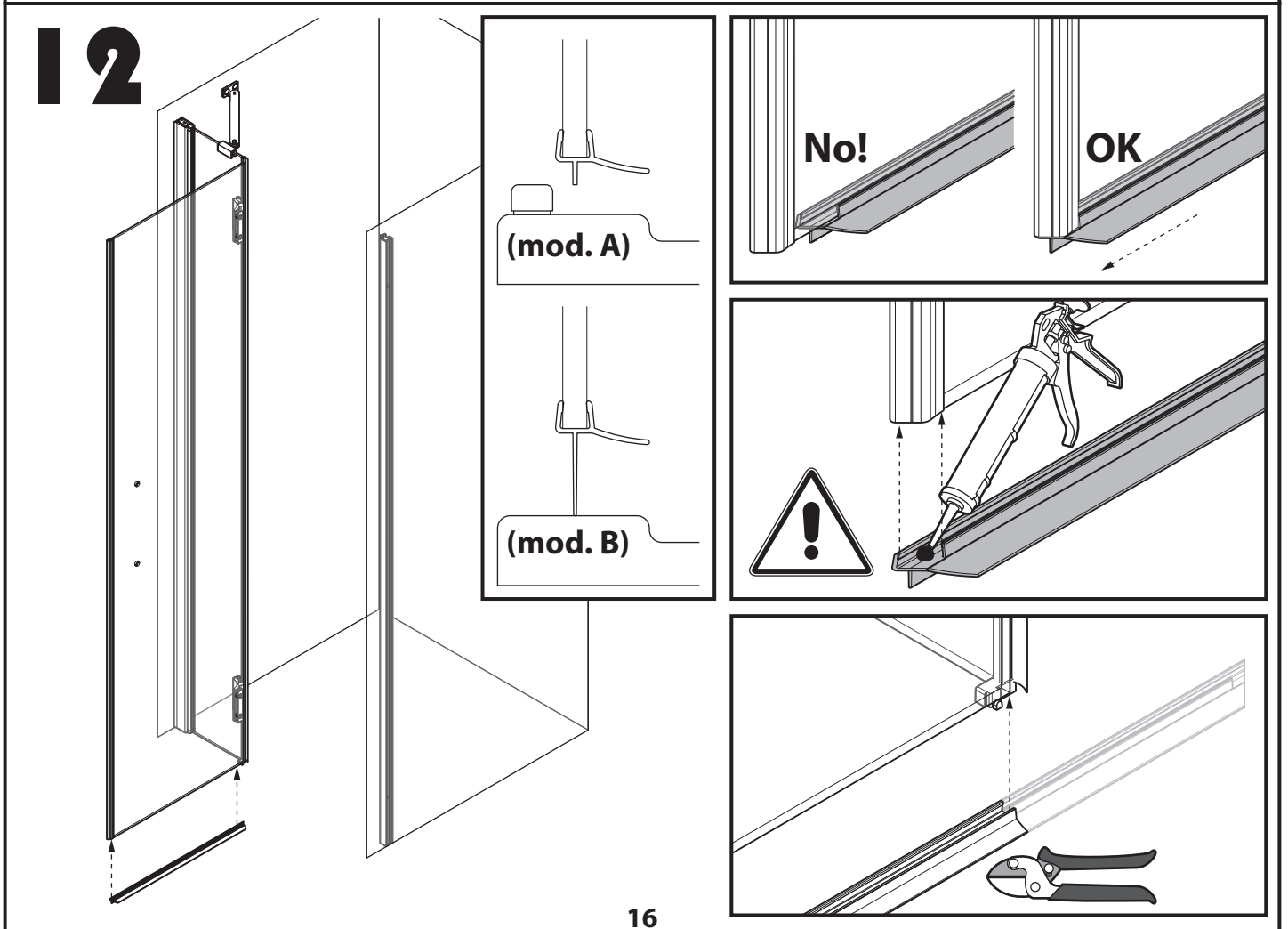
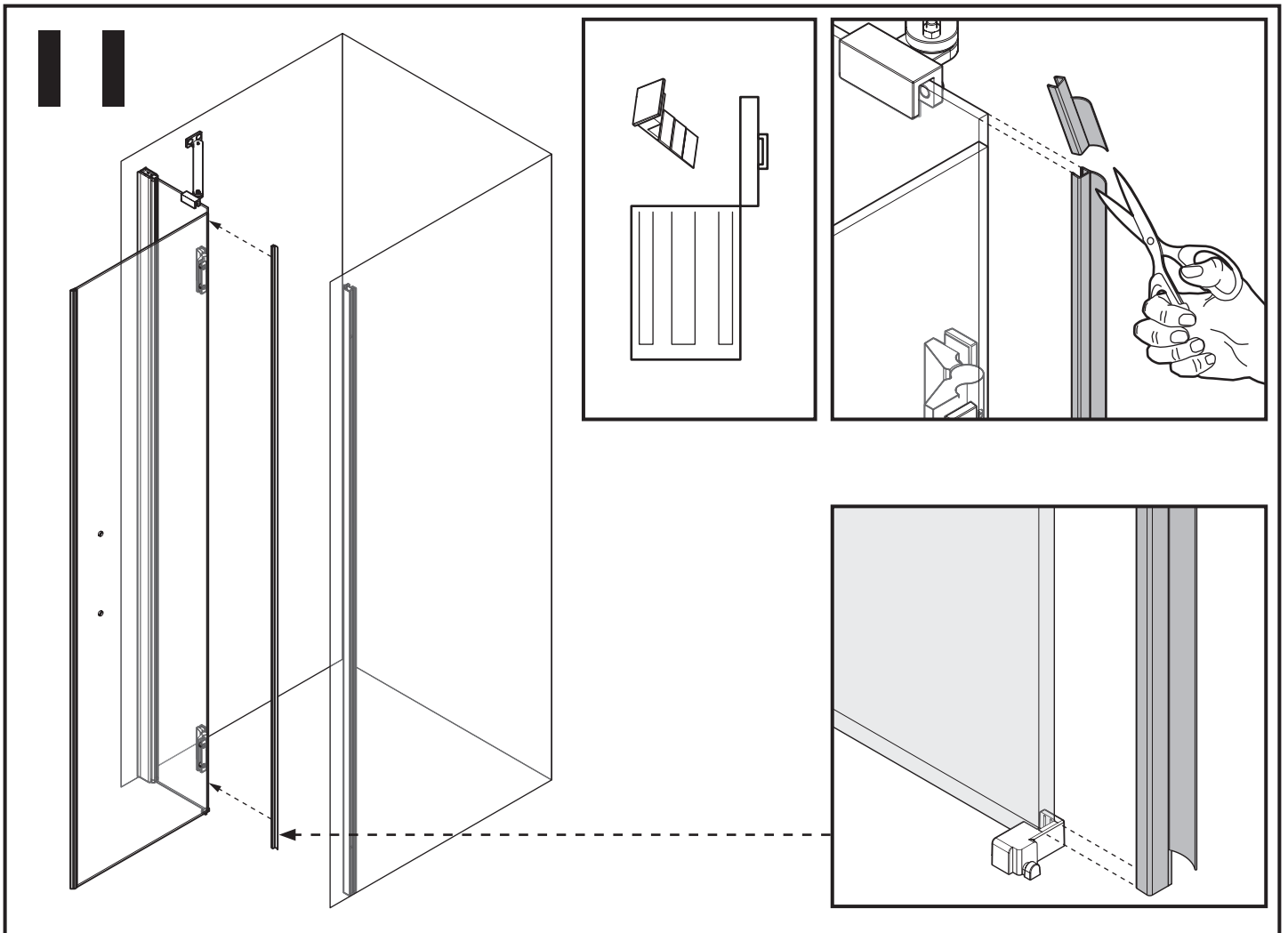


9

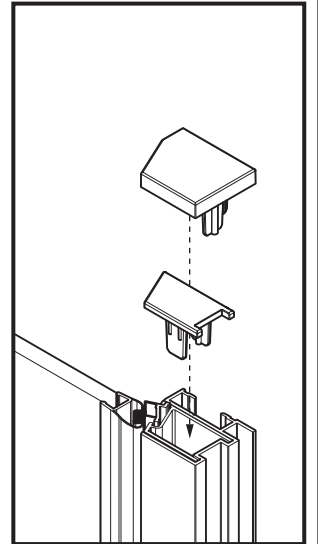
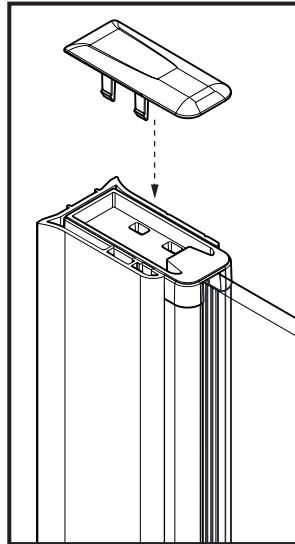
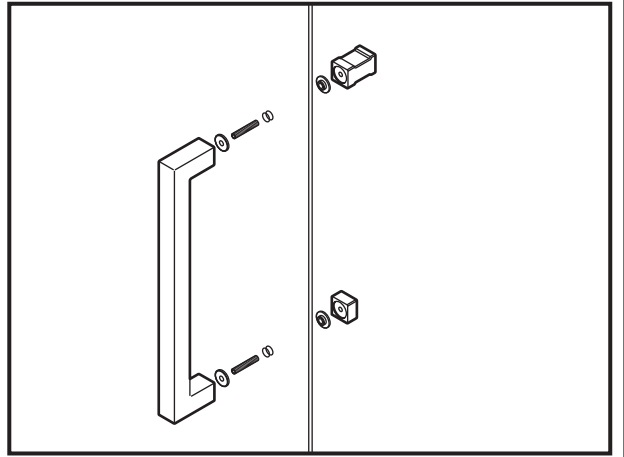
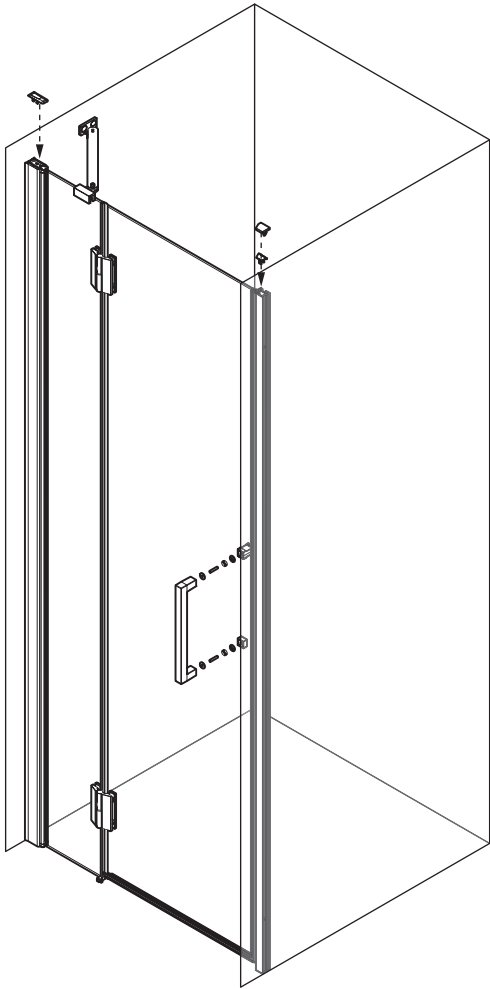


10

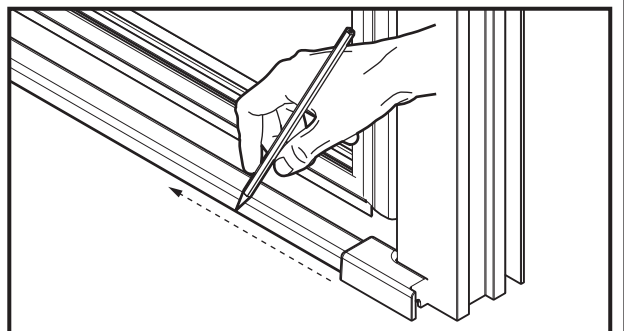
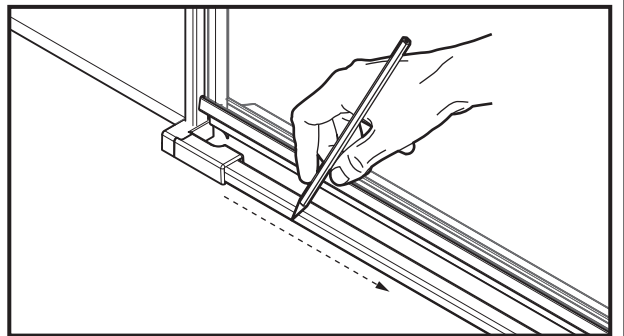
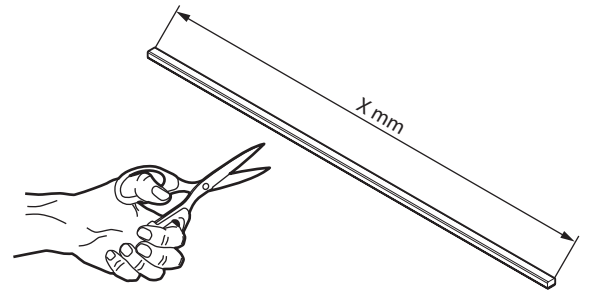
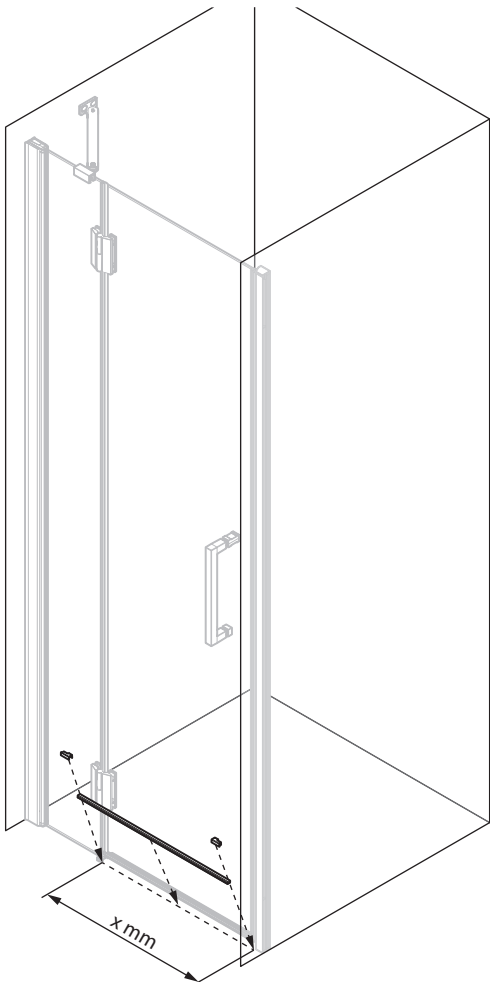




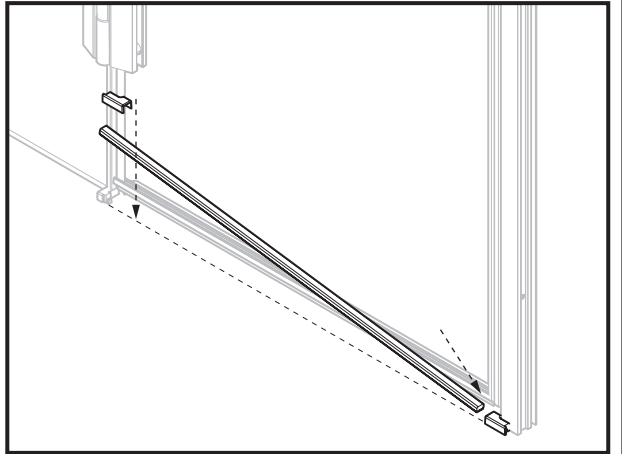
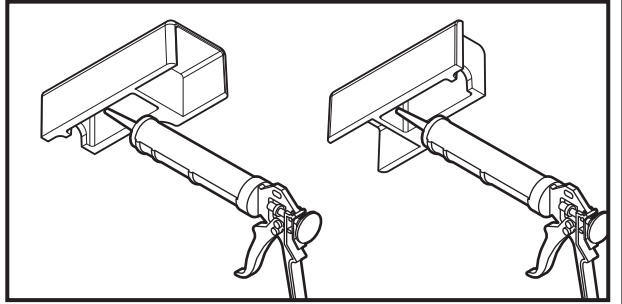
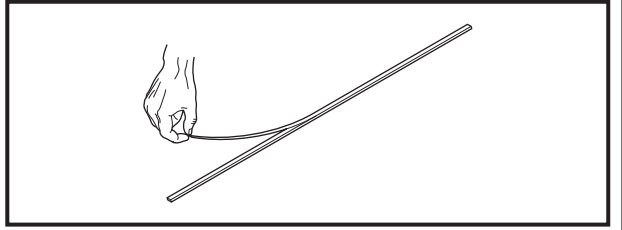
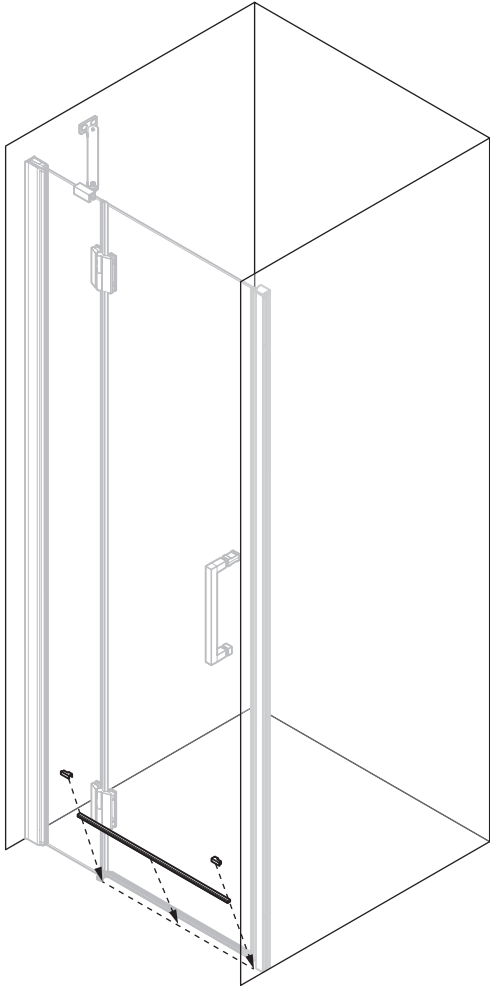
13



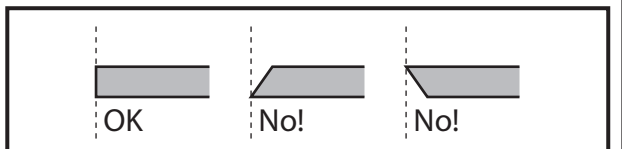
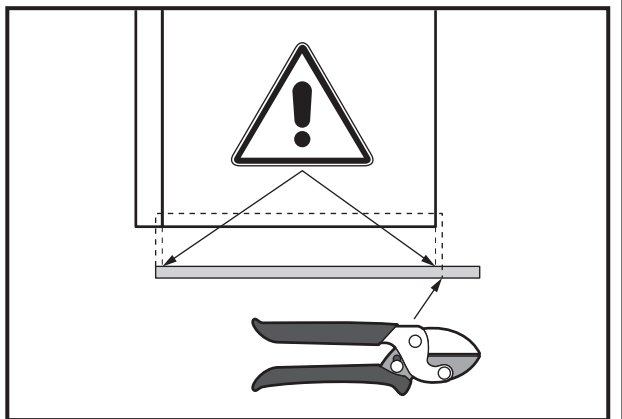
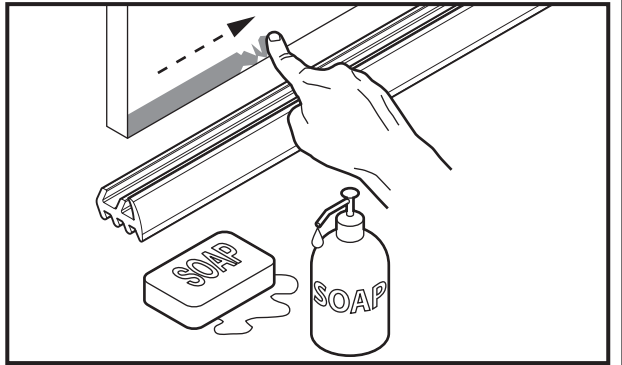
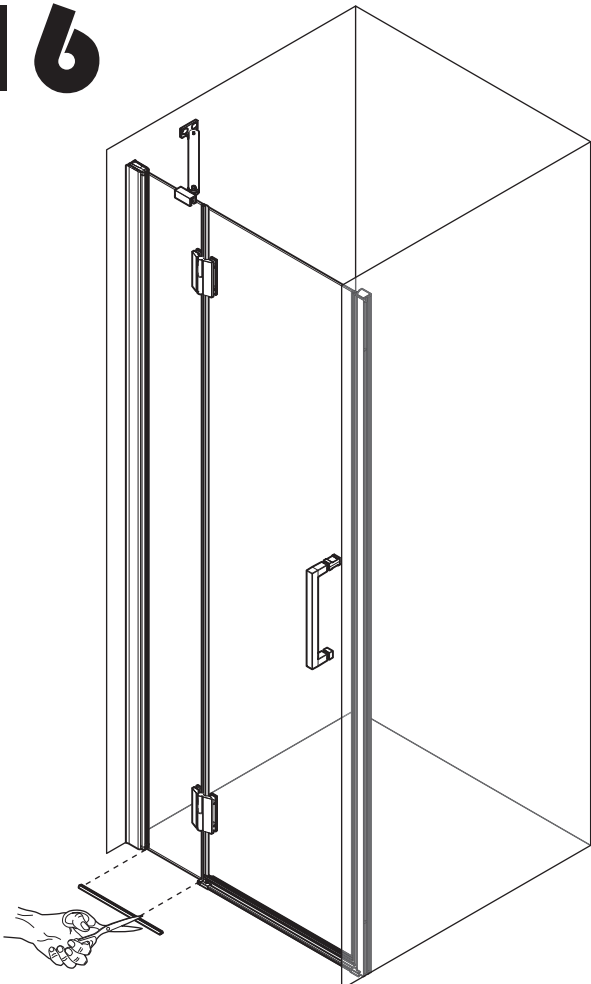
14



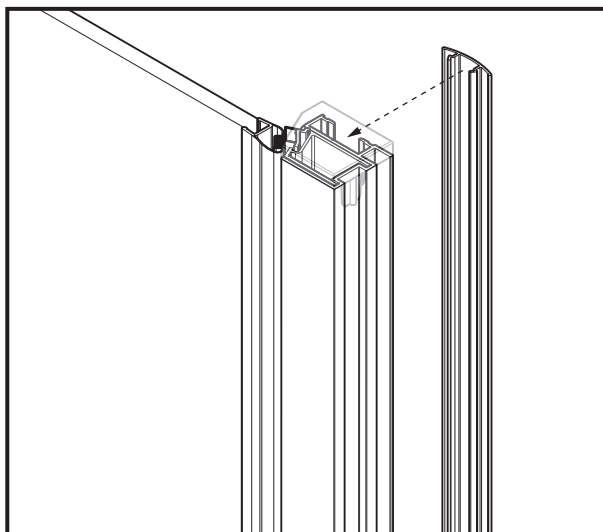
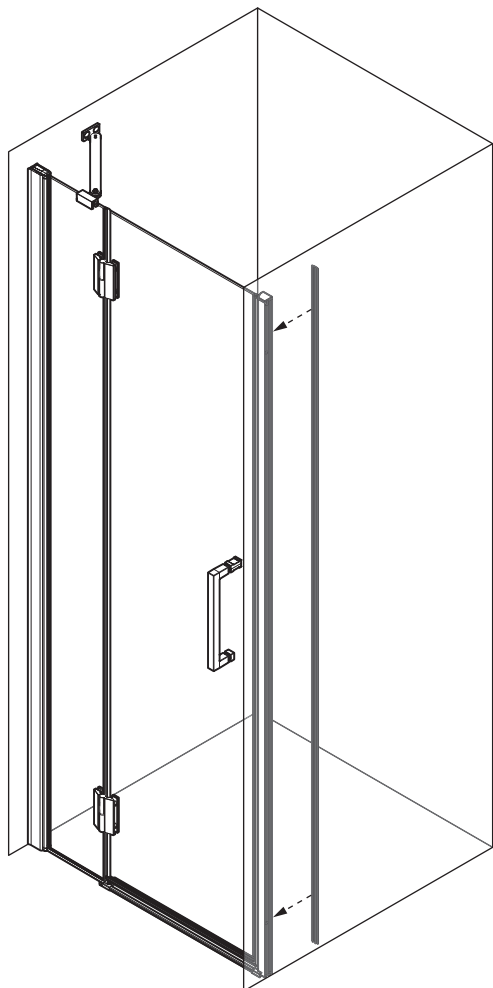
15



16



17



18

