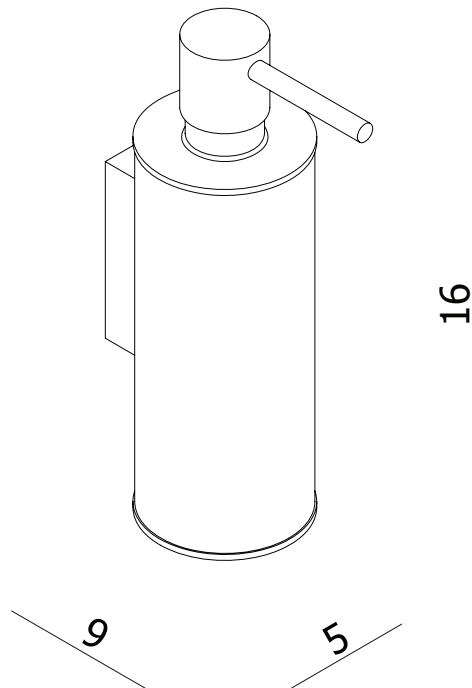


measurements in centimetres (cm)
information updated July 2014

tel | 01322 422767
web | www.crosswater.co.uk
email | technical@crosswater-holdings.co.uk



MIKE
PRO^x

Soap Dispenser

Wall Mounted

PRO011

Available in Chrome (C) Brushed Stainless Steel (V)