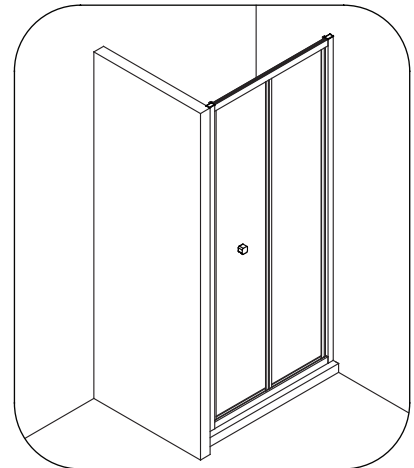
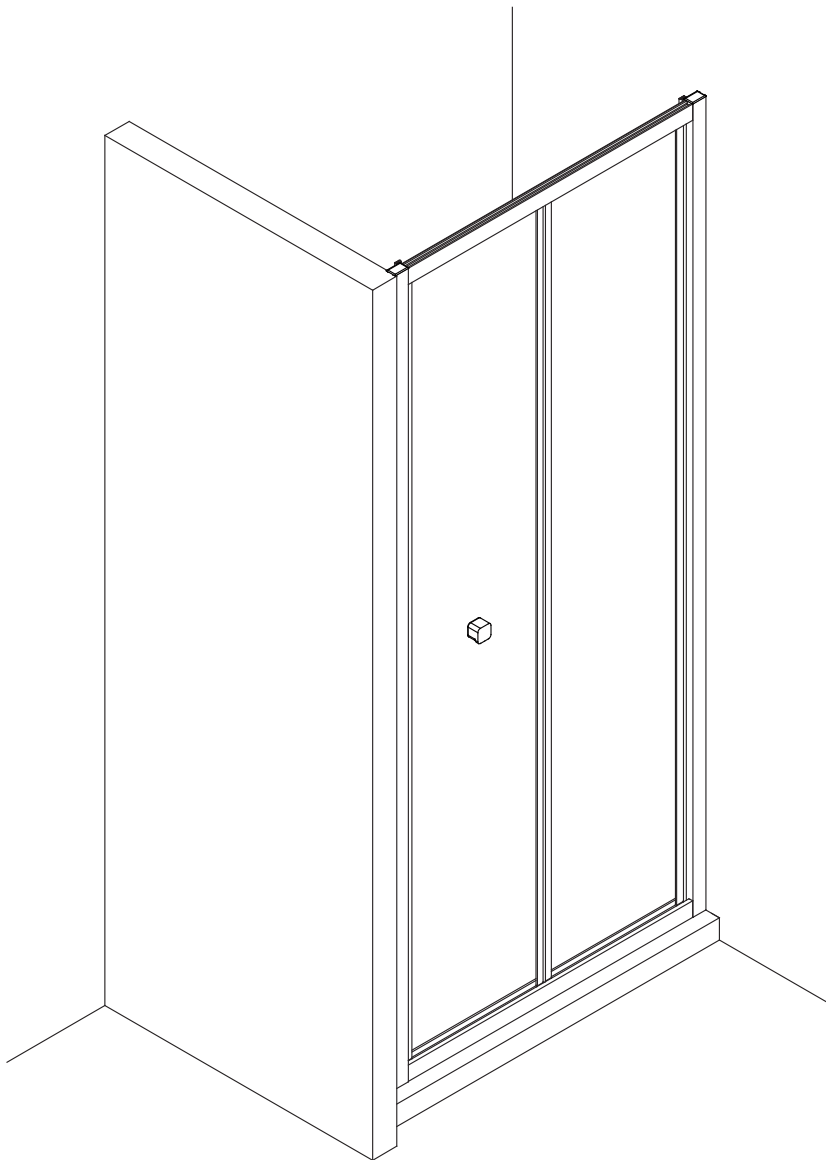


CLEAR 6 BIFOLD DOOR

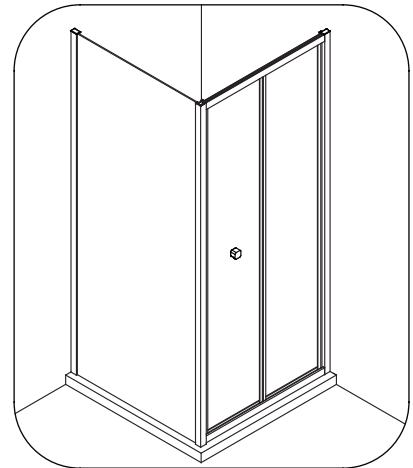
CABFSC0760	CASPSC0700
CABFSC0800	CASPSC0760
CABFSC0900	CASPSC0800
CABFSC1000	CASPSC0900
	CASPSC1000
	CASPBC0800
	CASPBC0900

IMPORTANT

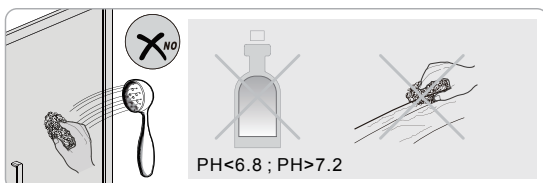
BEFORE STARTING THE INSTALLATION ENSURE ALL THE DOOR SIZE MEASUREMENTS CORRESPOND WITH THE INSTALLATION AREA INCLUDING THE FINISHED TILED/PANELLED WALLS. RETURNS DUE TO INCORRECT SIZING WILL NOT BE ACCEPTED.



BIFOLD DOOR IN ALCOVE



BIFOLD DOOR & SIDE PANEL



INSTALLATION INSTRUCTIONS

crosswater[®]
SHOWERING

IMPORTANT - Please read before installation

Please read these instructions carefully before starting installation and keep in a safe place for future reference.

Check the contents of the pack carefully before installation. Crosswater will not be held responsible for any de-fit / re-fit costs where faulty product has been fitted.

If any fault is found with materials or workmanship, it must be reported immediately to the manufacturer. Remedial action will be taken, based on information received, on condition that:

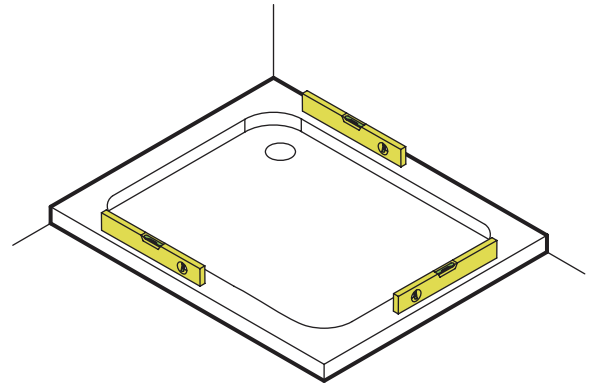
1. Full details are supplied to the manufacturer;
2. The enclosure has not been modified or tampered with;
3. The manufacturer is informed of any damage/shortages prior to installation.

We do not accept responsibility for any problems that may occur through incorrect installation.

The success of the installation and operation of any shower enclosure is, of course, dependant on the squareness, alignment and construction of the walls to which fixing is to be carried out.

VERY IMPORTANT

You must complete all tiling and grouting, and the shower tray **MUST** be level and fully sealed to the tiles before installation. If you do not fit the enclosure onto a tiled surface, or seal the tiles to the tray before installation, water may soak into the wall behind the wall profiles.



INSTALLATION - Advice and safety

These products come with the two wall channels pushed onto each side of the glass panel frame. The side panels do **NOT** come with wall channels, you must use one of the channels from the door.

The installation instructions are based on typical use and conditions.

The infold door is designed to open outwards only.

Please follow the installation instructions relevant to your enclosure.

These hints have been prepared for your guidance, you must exercise due care at all times.

For Health and Safety 2 people must carry out the installation of this enclosure.

Handle glass with care. Although the glass supplied is toughened safety glass (EN12150), impacts can damage both

Warning!

Please check for any hidden pipes or cables before drilling holes in the wall.

To stop the drill bit slipping, masking tape can be applied to the tiles when preparing the holes.

When using power tools always follow the manufacturers user instructions.

Do not sit the enclosure on a bed of silicone, as this will also stop any water from draining back into the tray.

DO NOT SEAL THE ENCLOSURE TO THE TRAY ON THE INSIDE.

If the enclosure is sealed to the tray on the inside, any water that may get into the framework will not be able to drain back into the tray, this may cause the enclosure to leak.

Leave the silicone sealant to dry for 24 hours before using the enclosure.

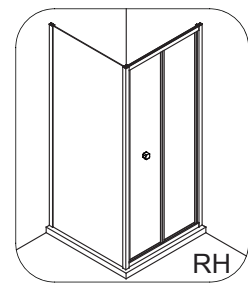
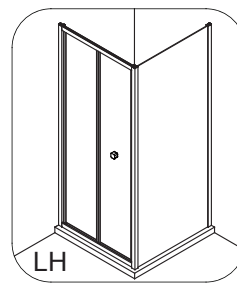
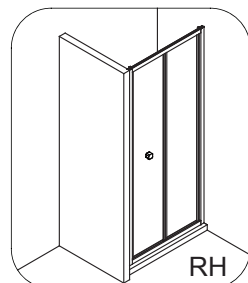
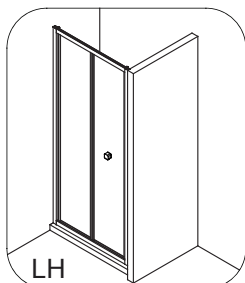
CARE AND CLEANING

Do not use solvents or abrasive material or chemicals to clean the enclosure.

Only clean using soapy water and a soft cloth, rinse thoroughly afterwards.

INSTALLATION - left & right

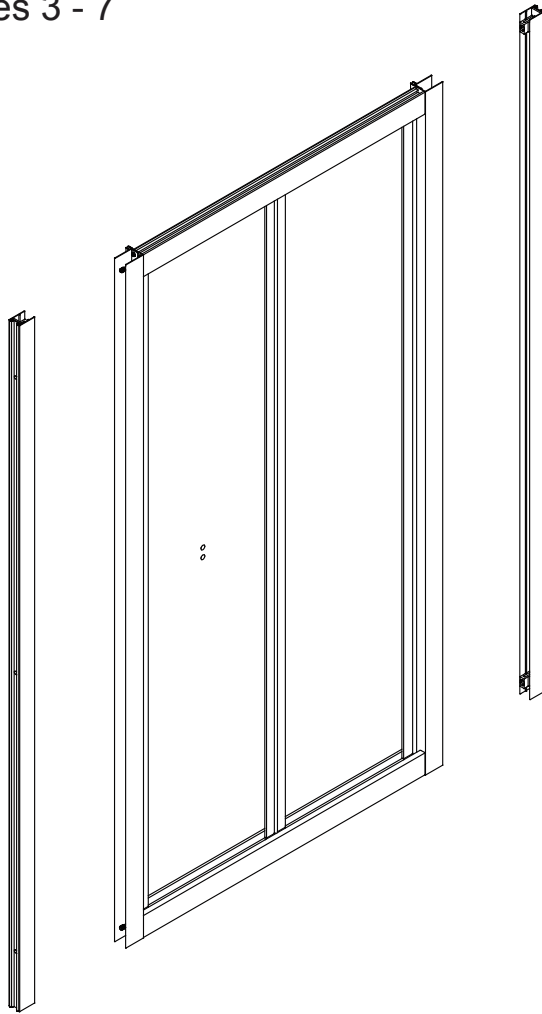
These products are reversible for left or right hand fitting, simply turn the door or panel up side down.



CONTENTS

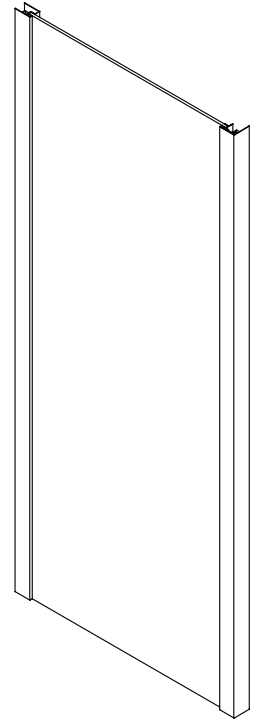
BIFOLD DOOR IN ALCOVE


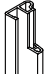

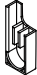
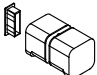

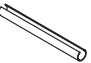
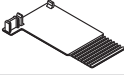

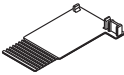
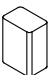
See pages 3 - 7


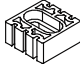
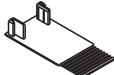
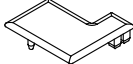
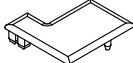



DOOR & SIDE PANEL

See pages 8 - 13



A	 M4 *40mm Screw x 6	G	 Waterproof strip x 2
B	 Wall Plug x 6	H	 Cover x 1
C	 Handle x 1	I	 Cover x 1
D	 Sleeve x 1	J	 Top Cap x 1
E	 Cover x 3	K	 Top Cap x 1
F	 Filler x 4		

AA	 M4 *20mm Screw x 1
AB	 Adjustment block x 1
AC	 Top Cap x 1
AD	 Top Cap(LH) x 1
AE	 Top Cap(RH) x 1
AF	 Filler x 2

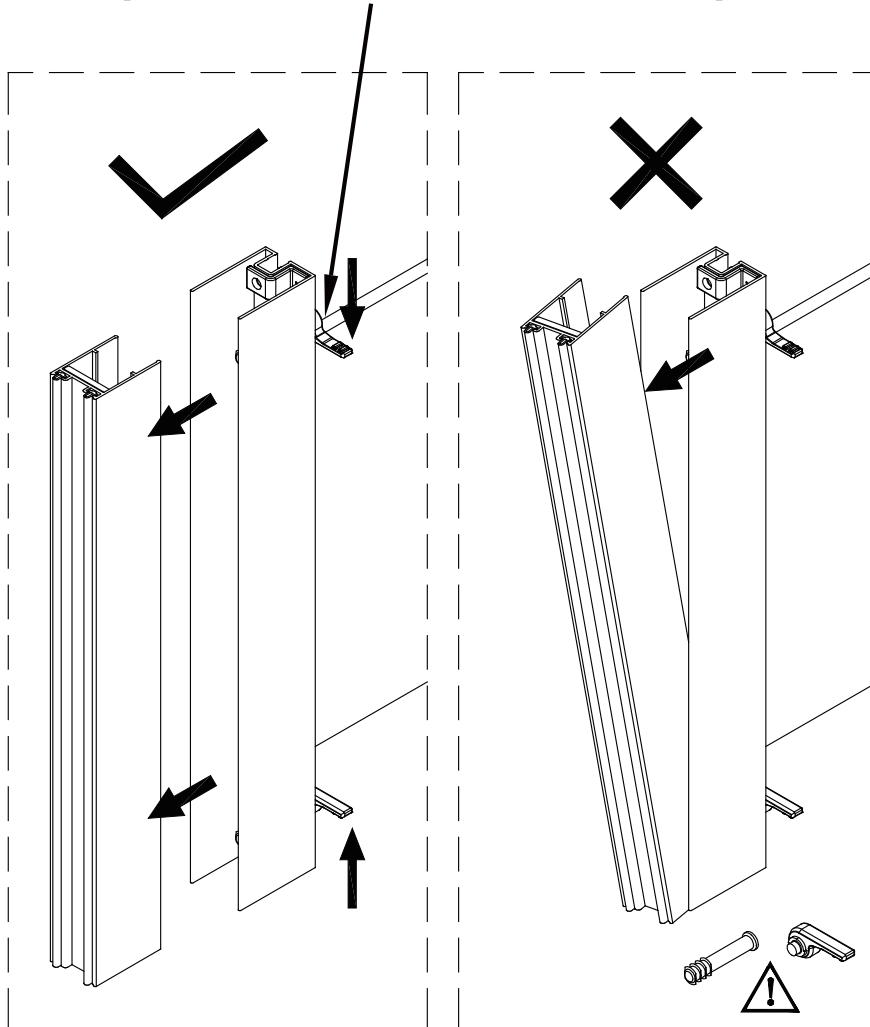
Tools and equipment needed

Drill, 6mm Masonry drill bit, Philips screwdriver, Spirit level, Pencil, Tape measure, Silicone sealant

t.



Before removing the wall profile for installation please ensure the locking pin lever is in a horizontal position.

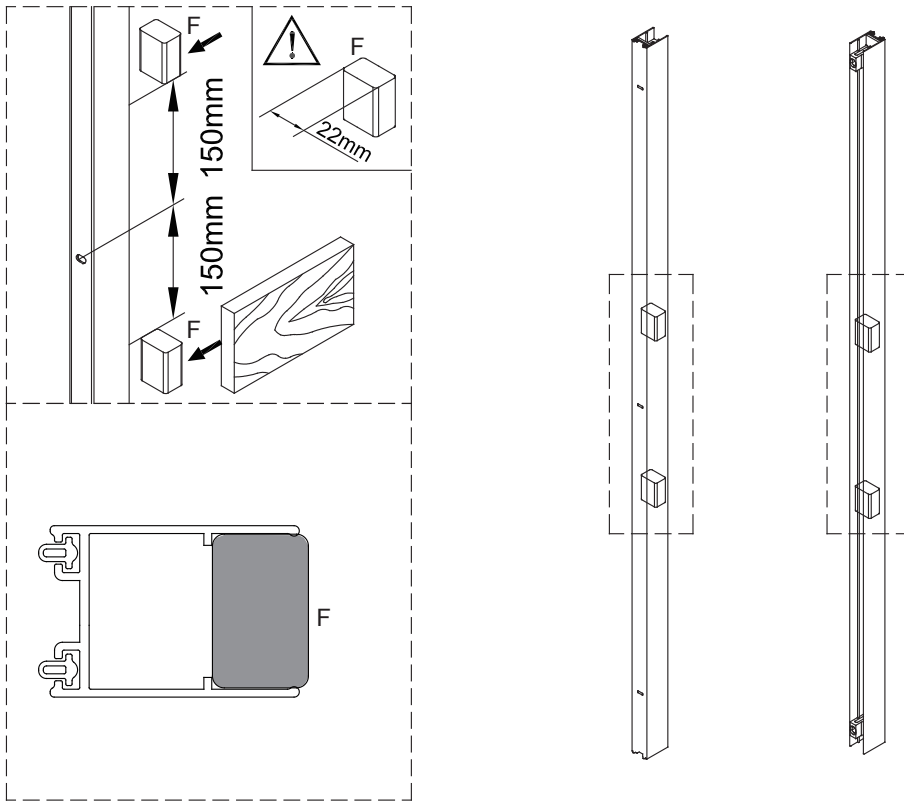


CAUTION

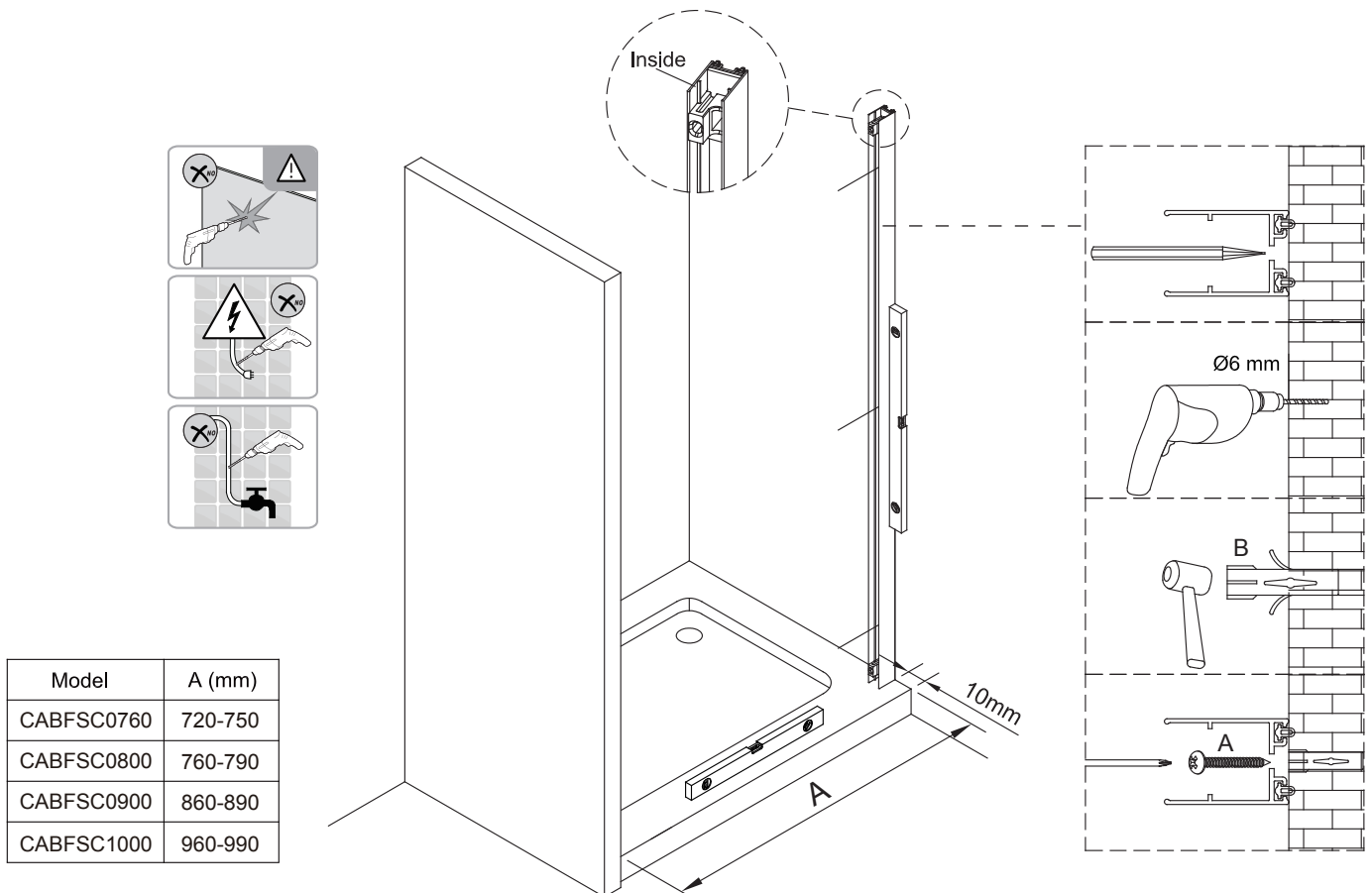
**THE WALL PROFILE MUST BE REMOVED PARALLEL
FROM BOTH ENDS AT THE SAME TIME**

BIFOLD DOOR IN ALCOVE

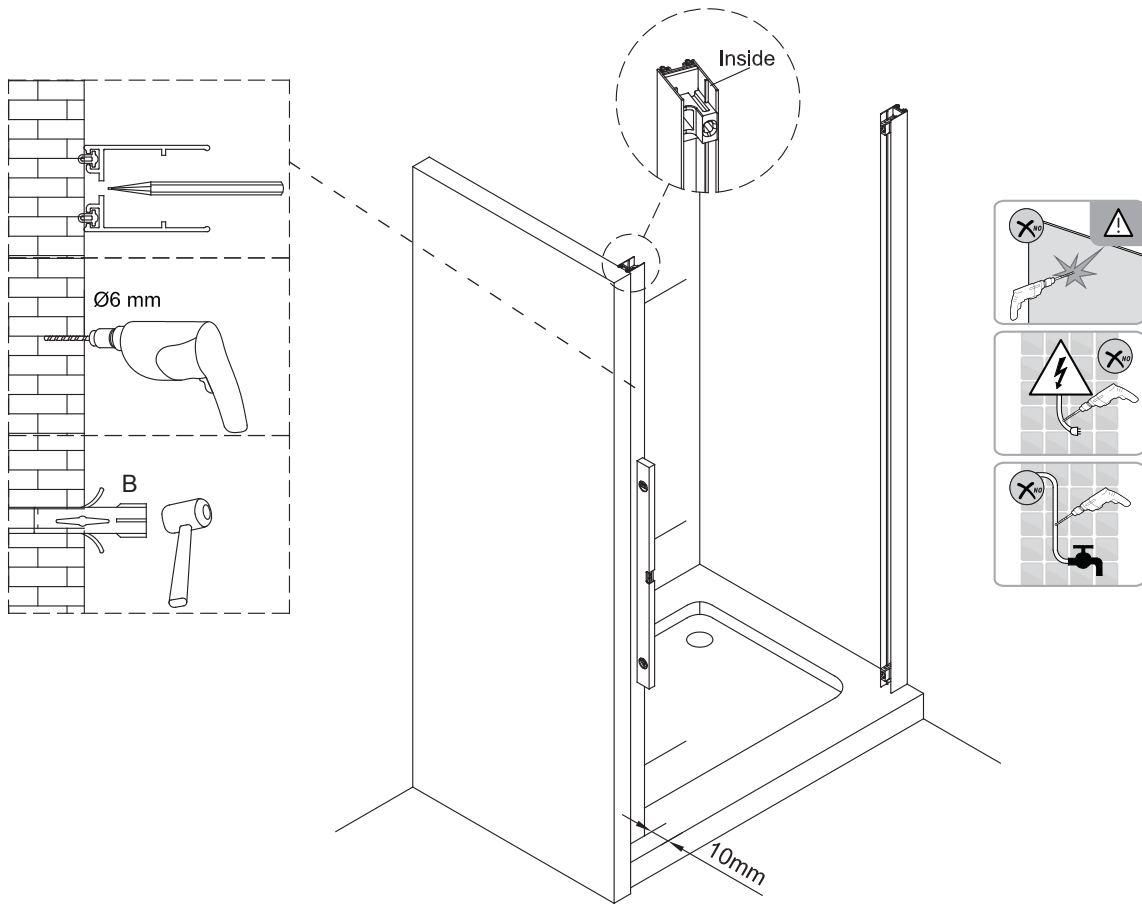
Step 1



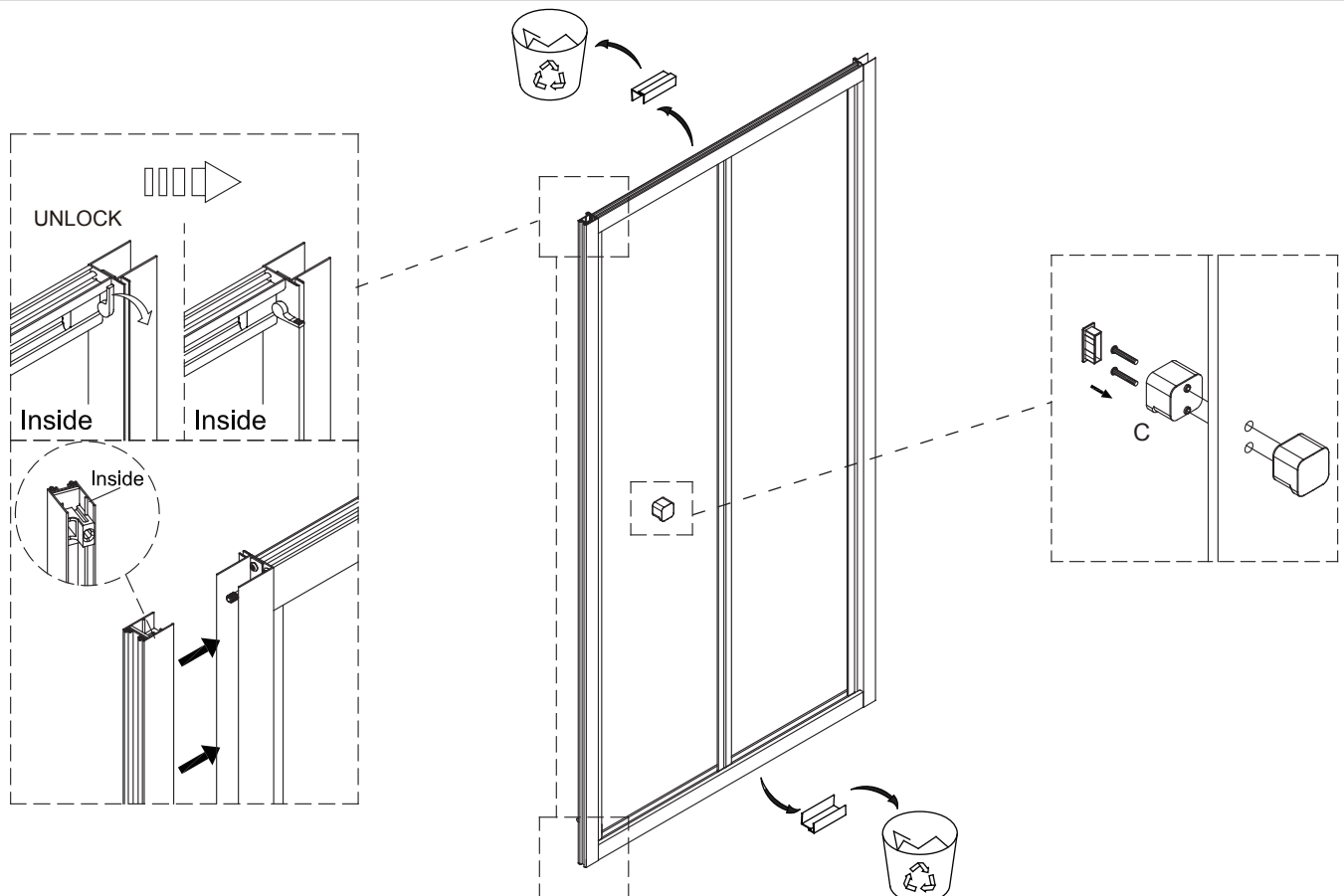
Step 2



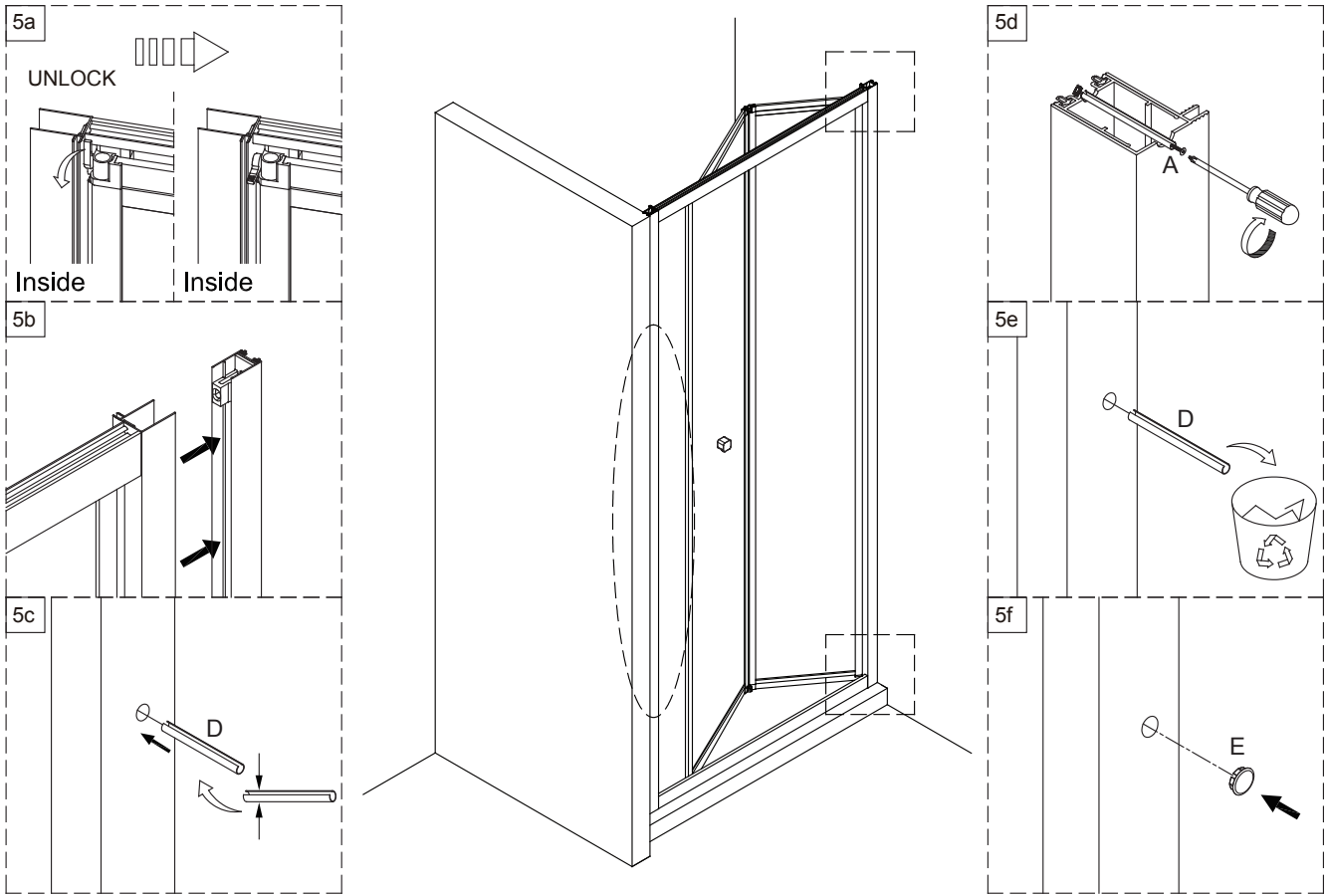
Step 3



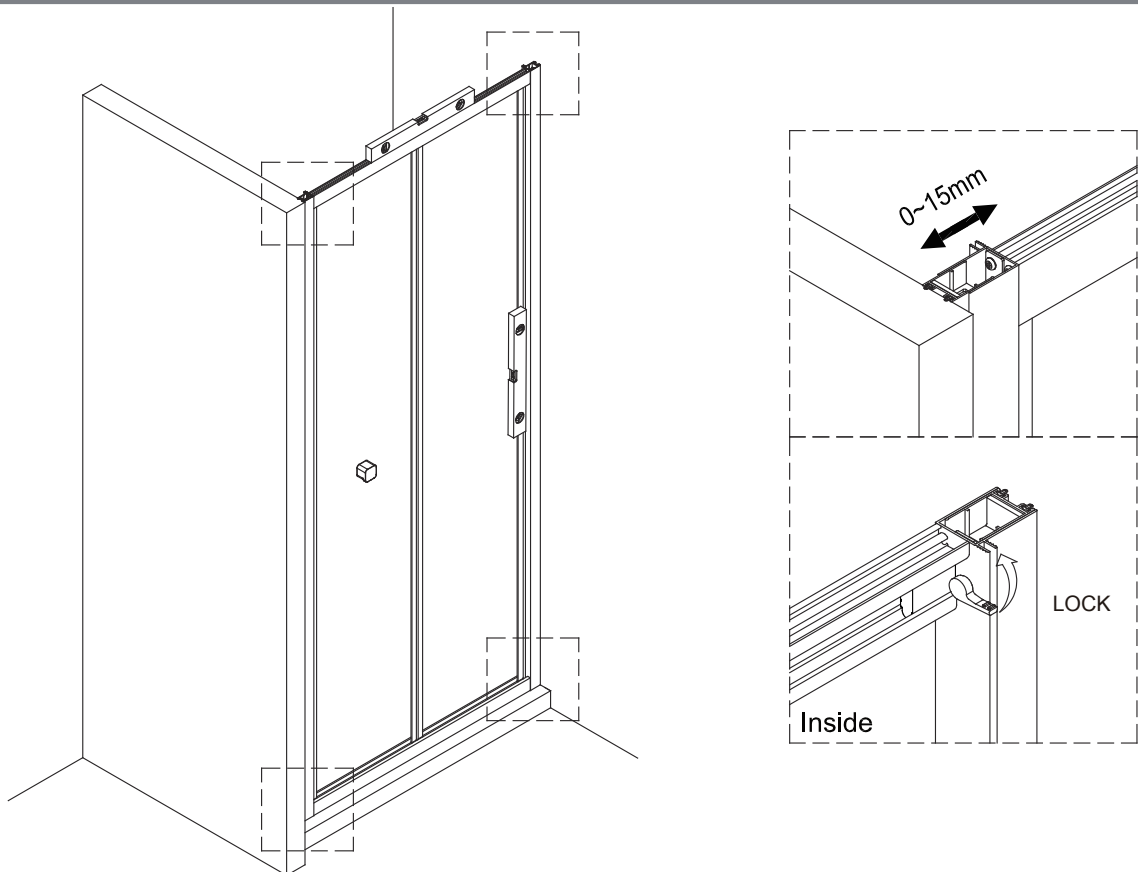
Step 4



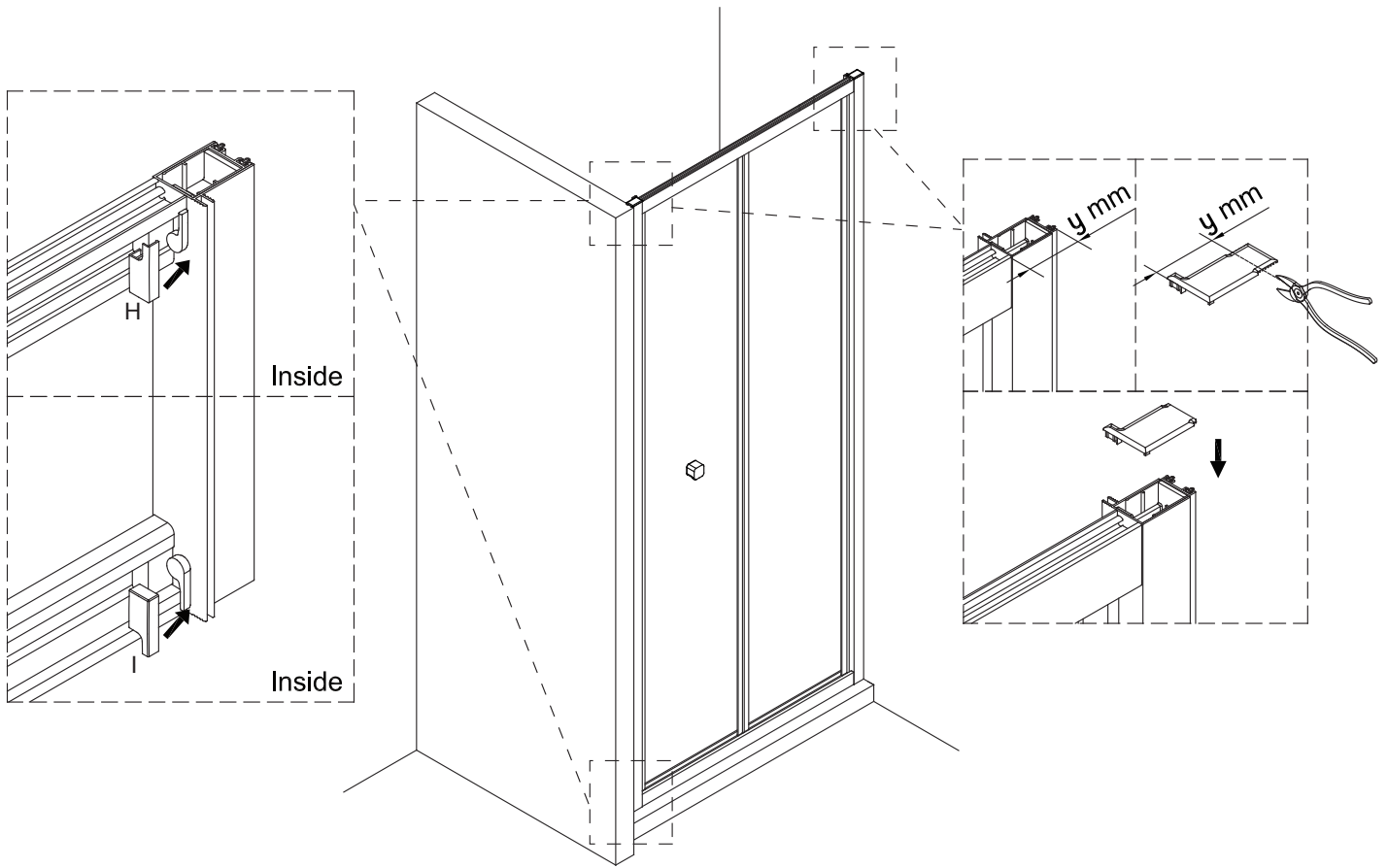
Step 5



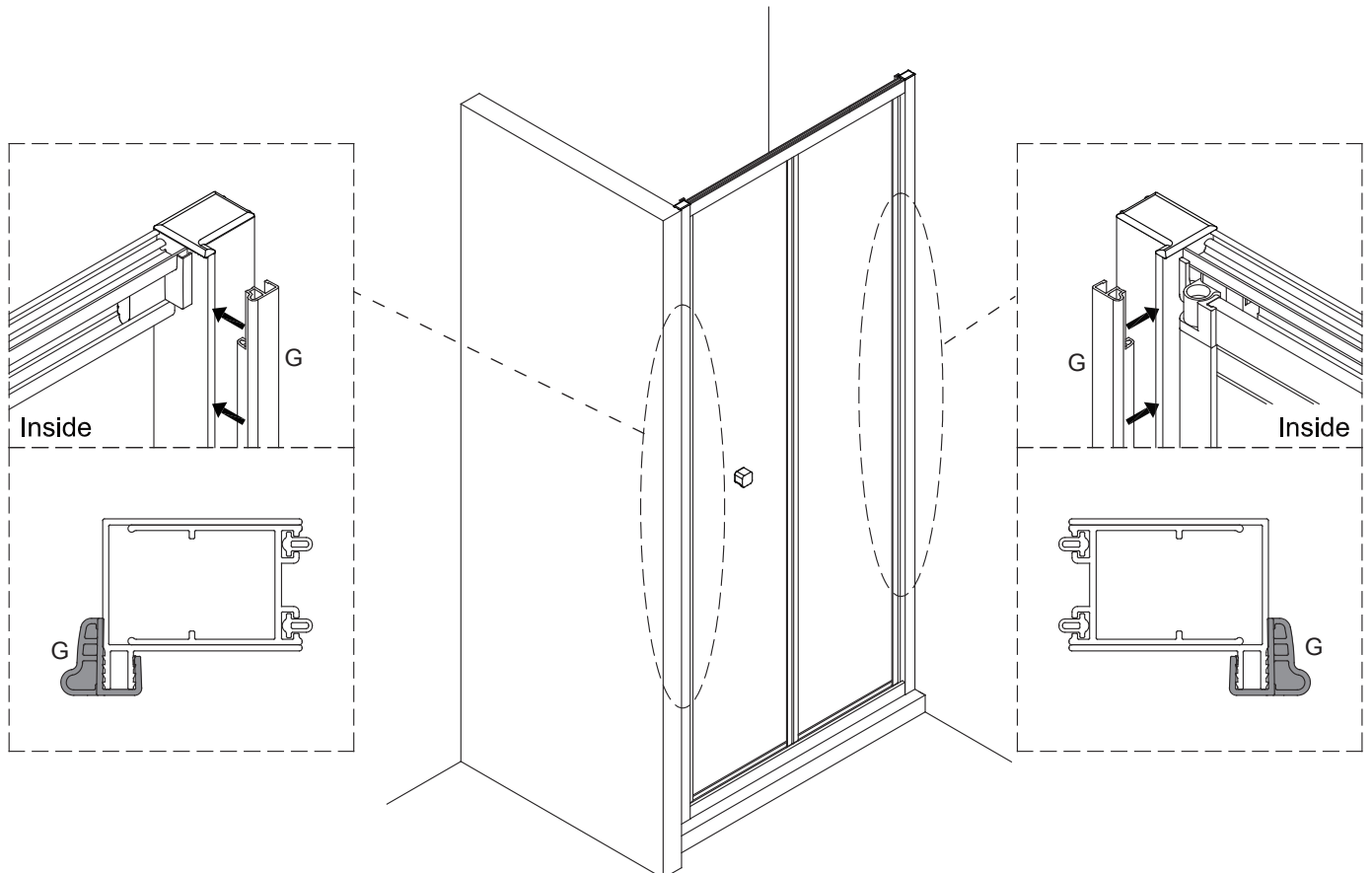
Step 6



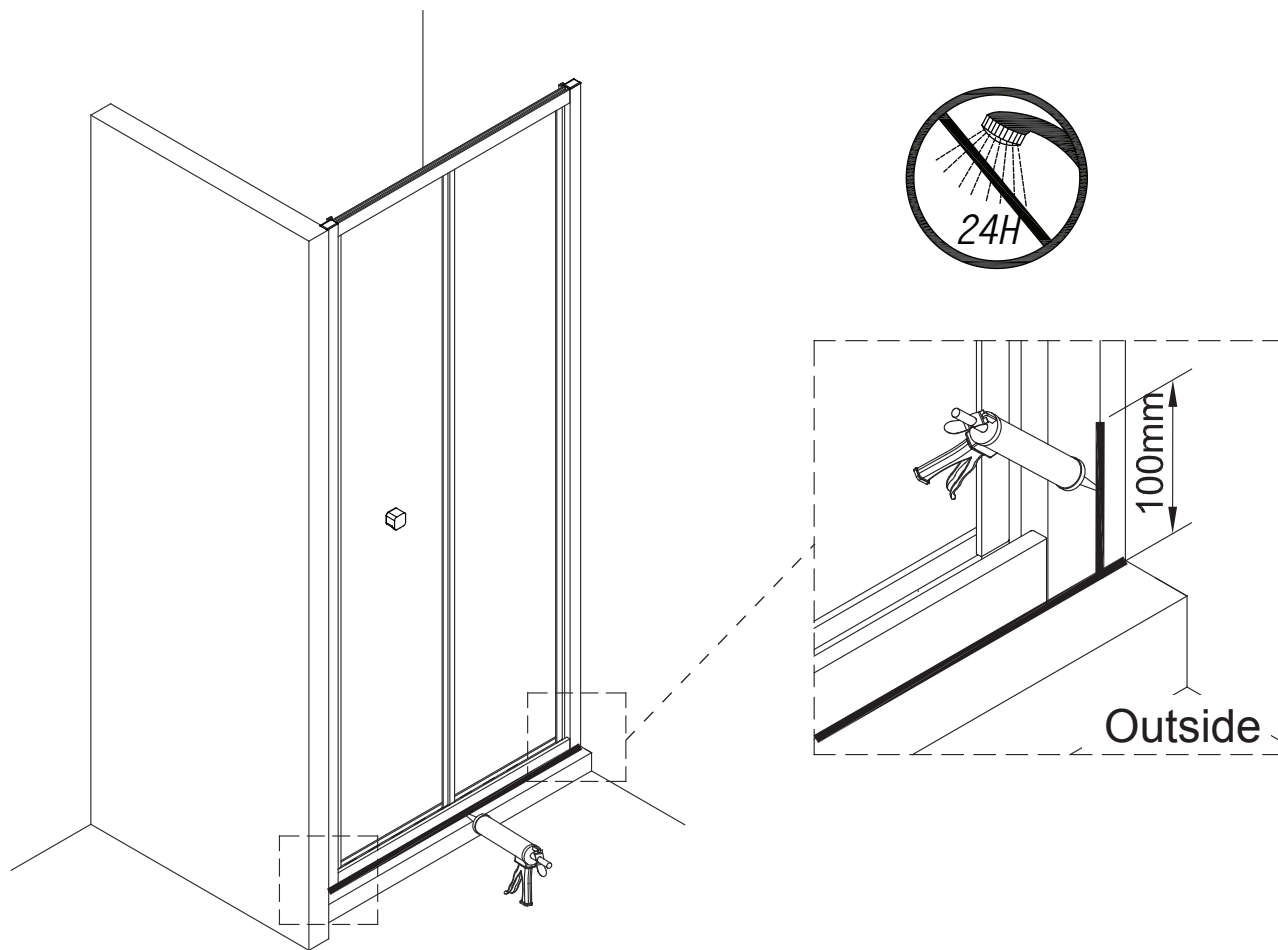
Step 7



Step 8

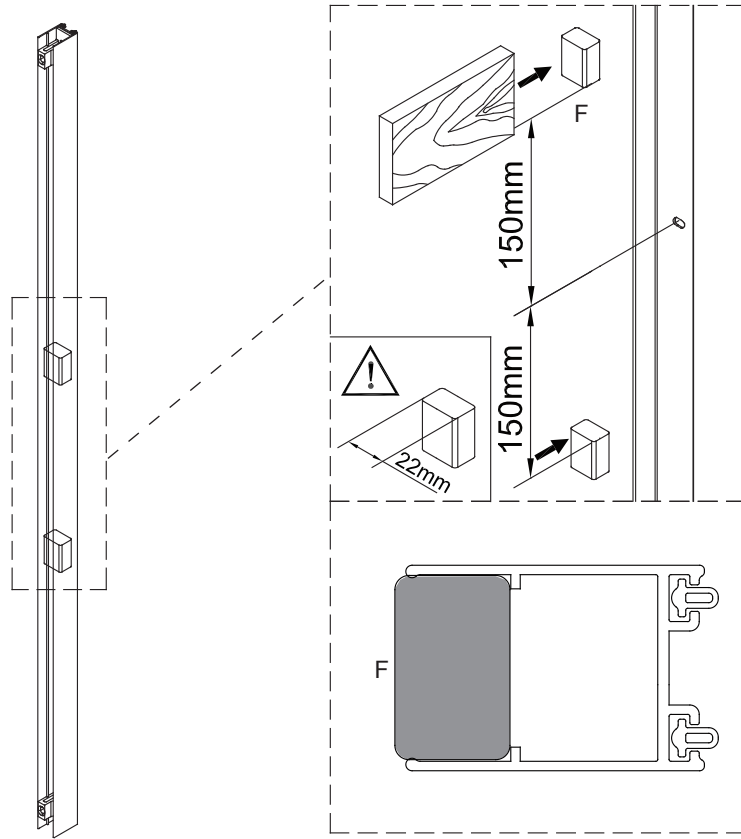


Step 9

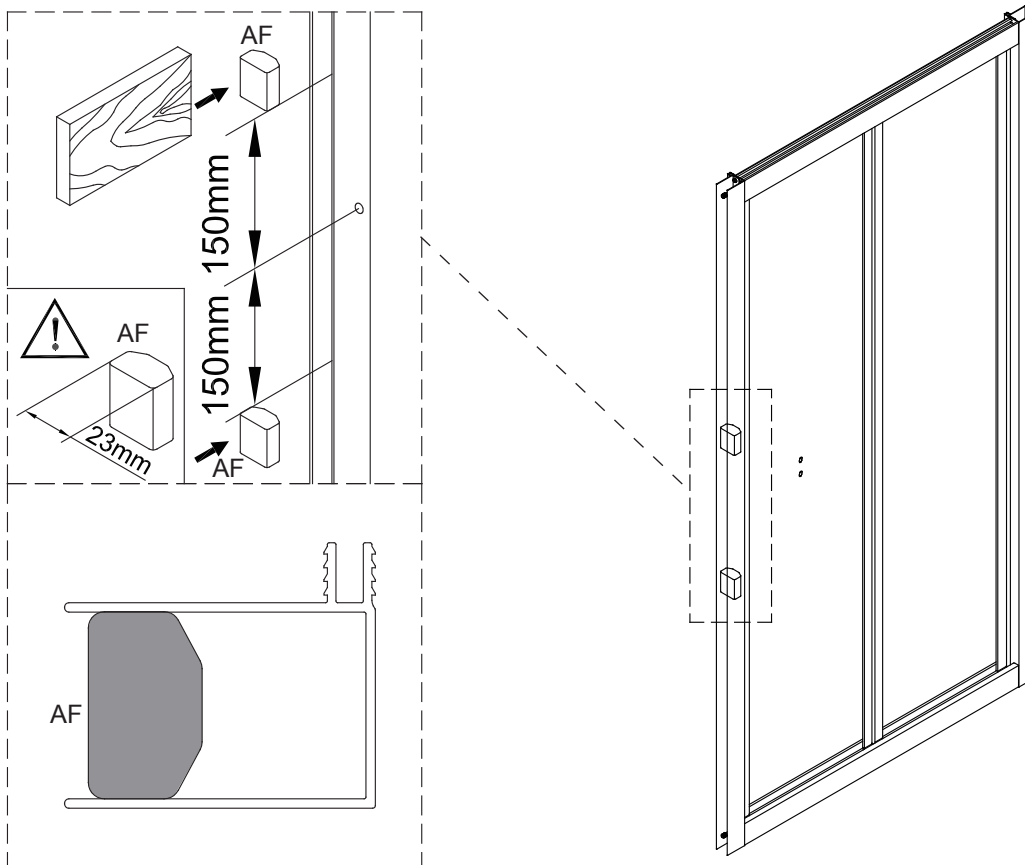


BIFOLD DOOR & SIDE PANEL

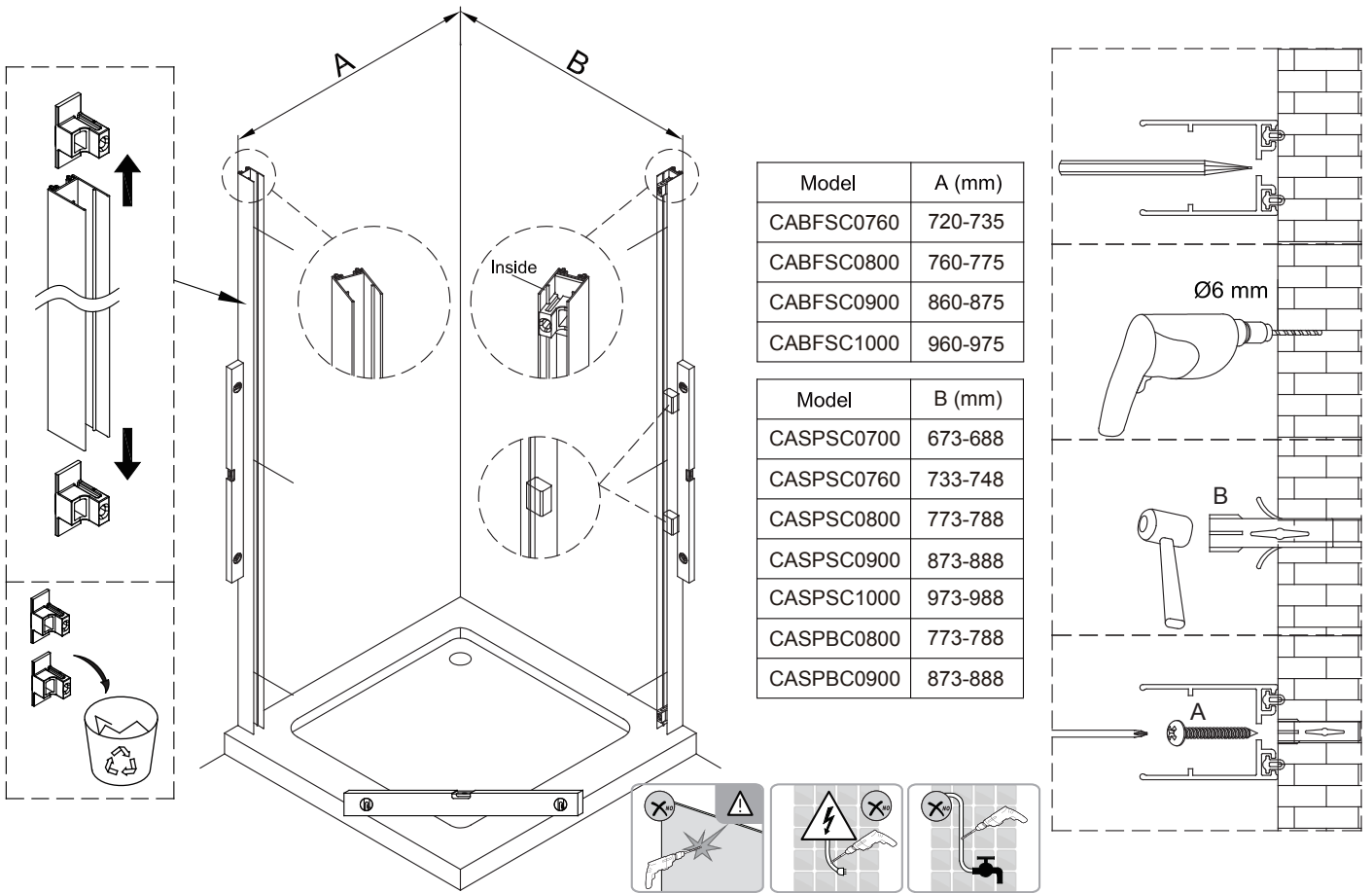
Step 1



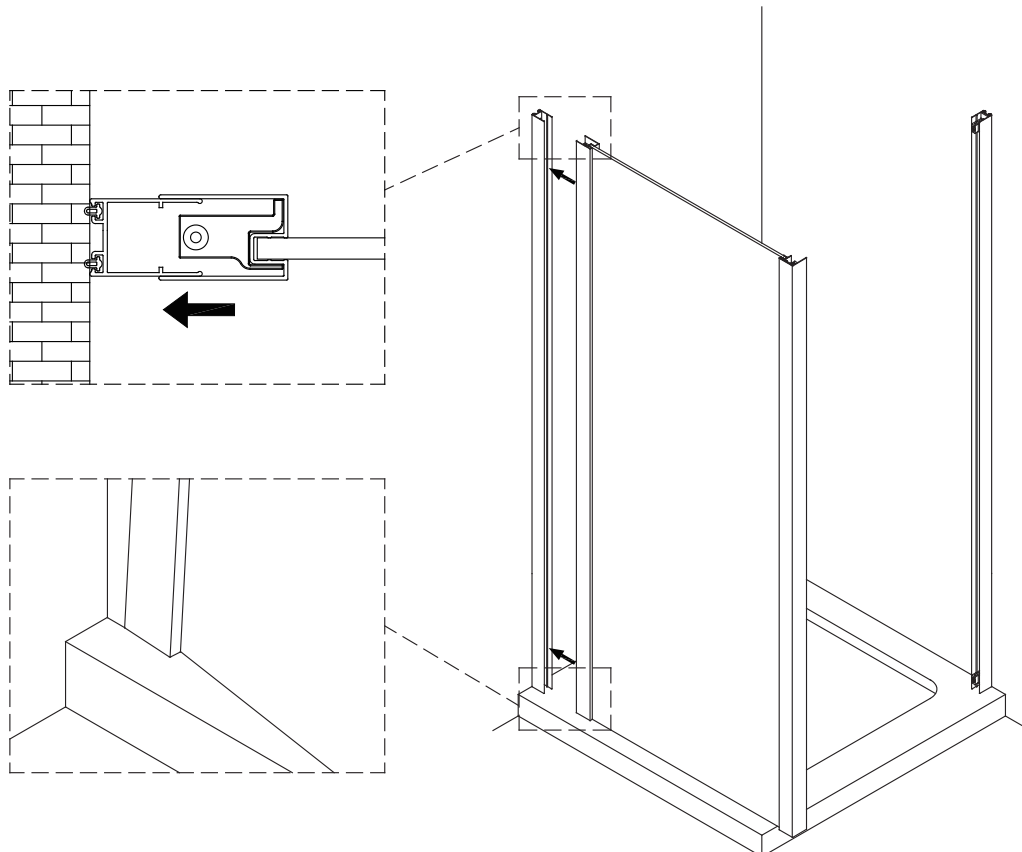
Step 2



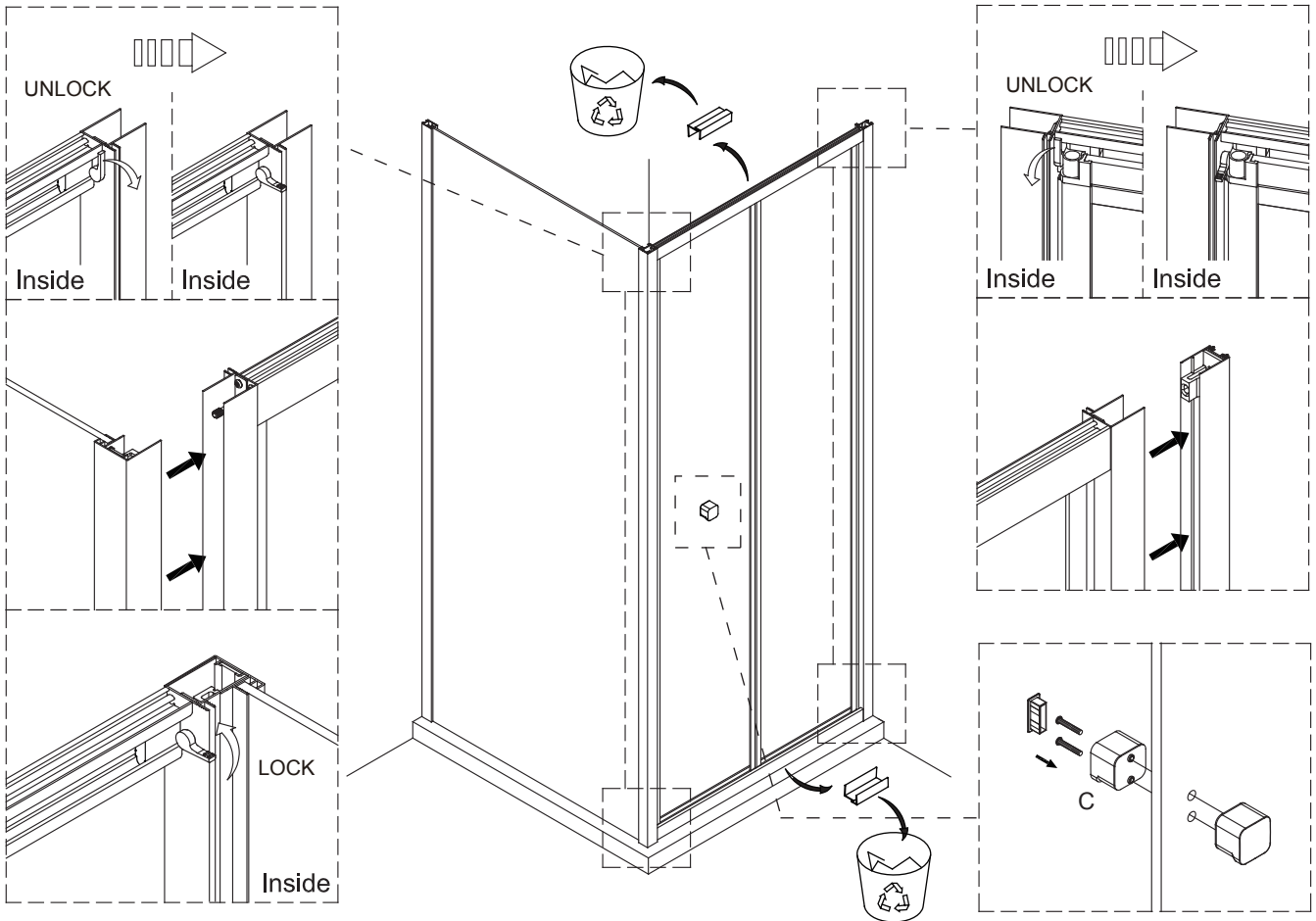
Step 3



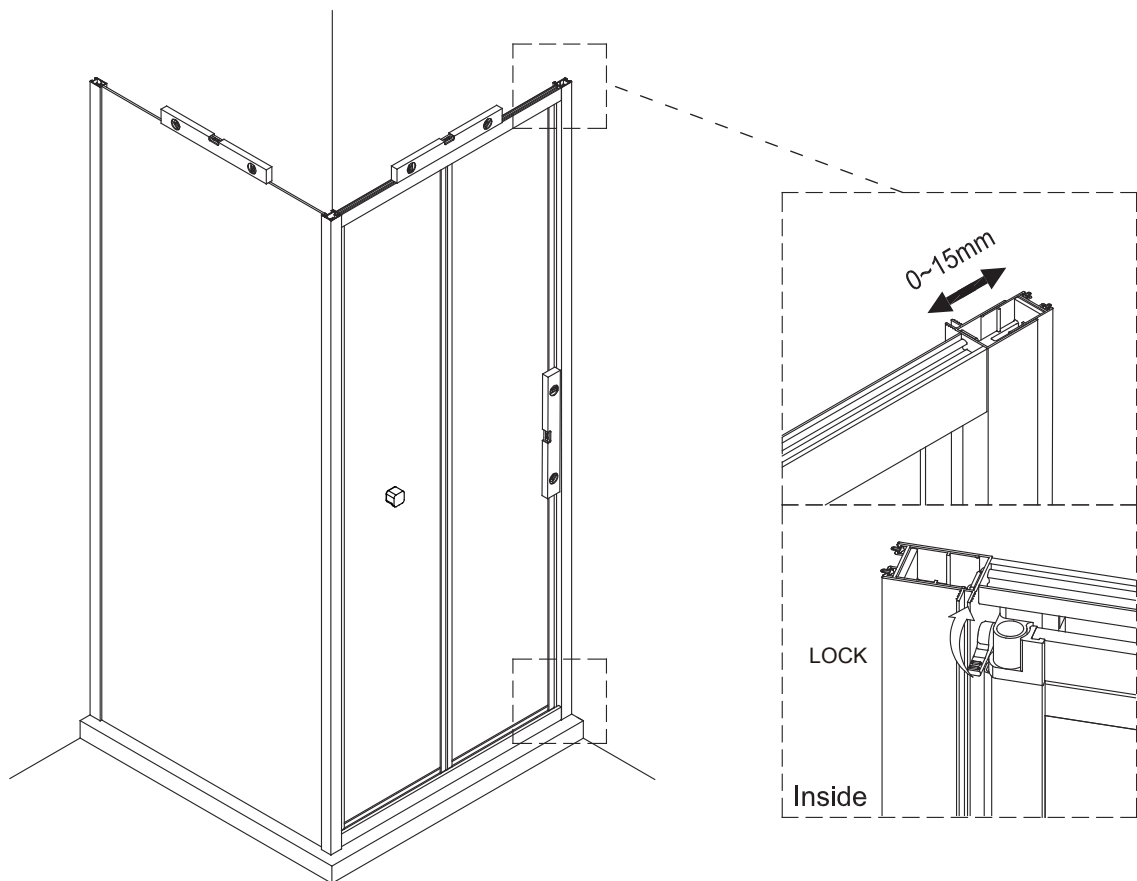
Step 4



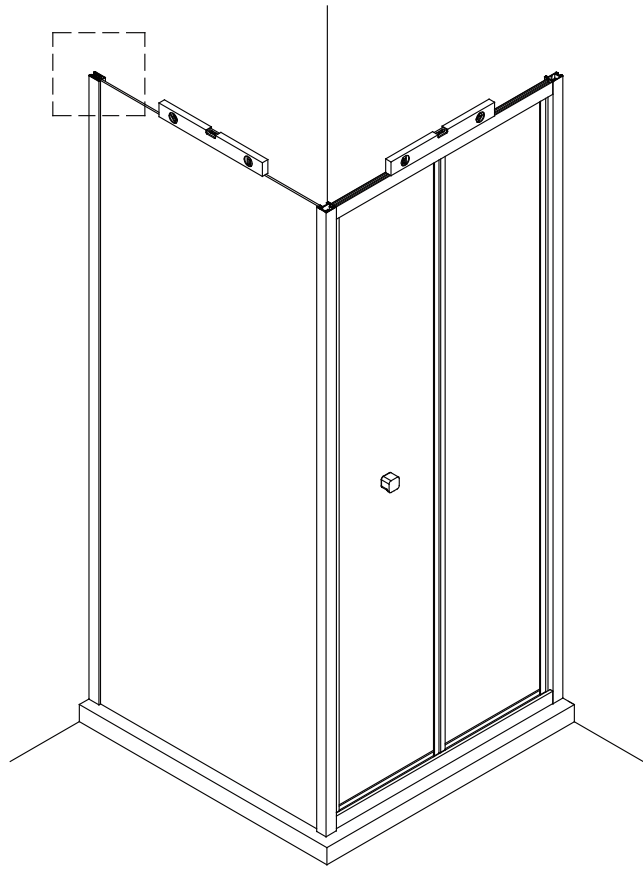
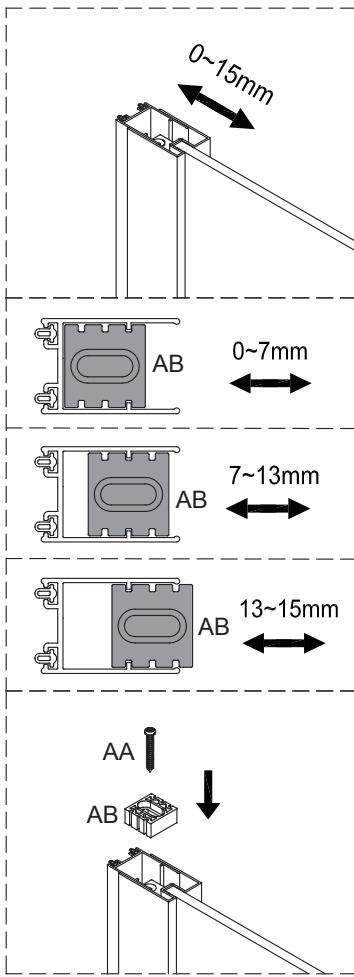
Step 5



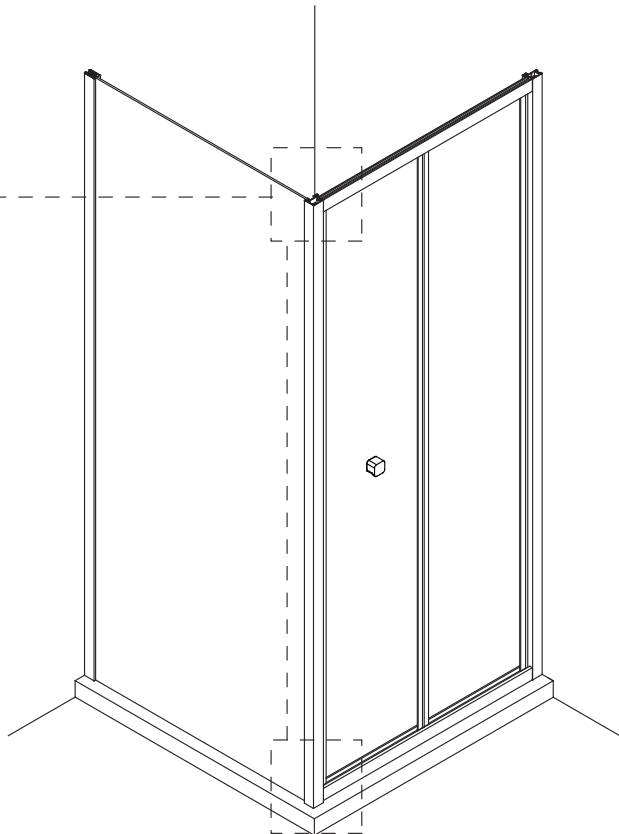
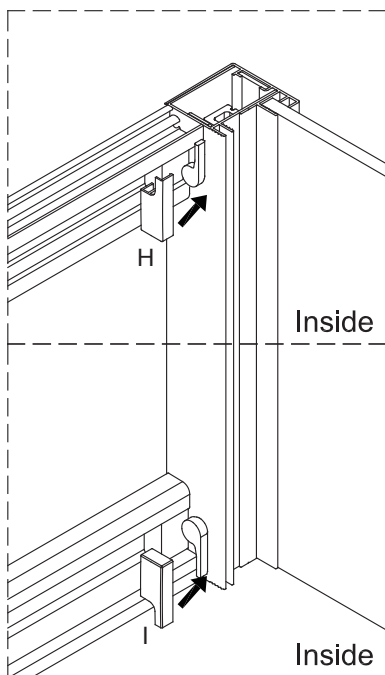
Step 6



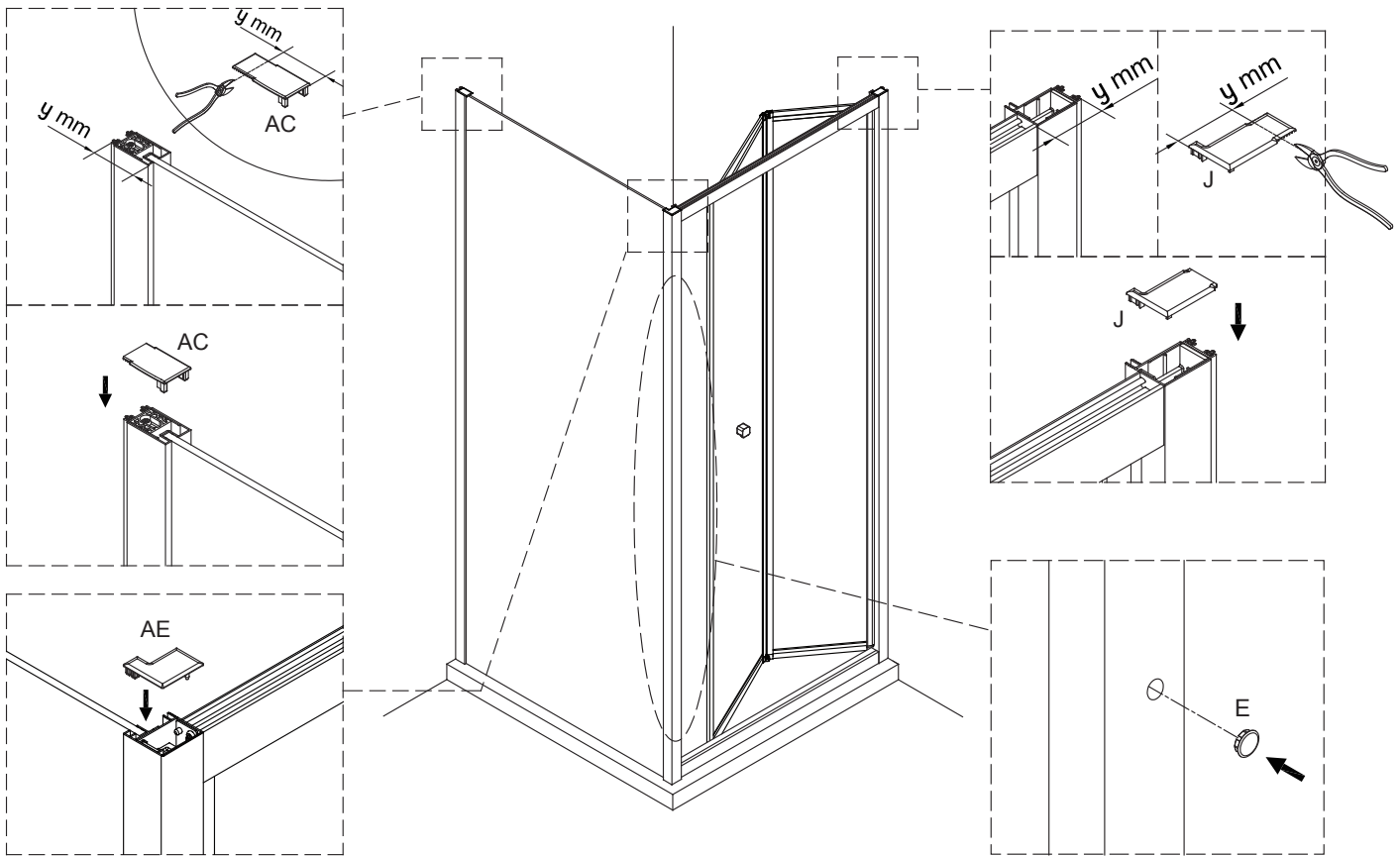
Step 7



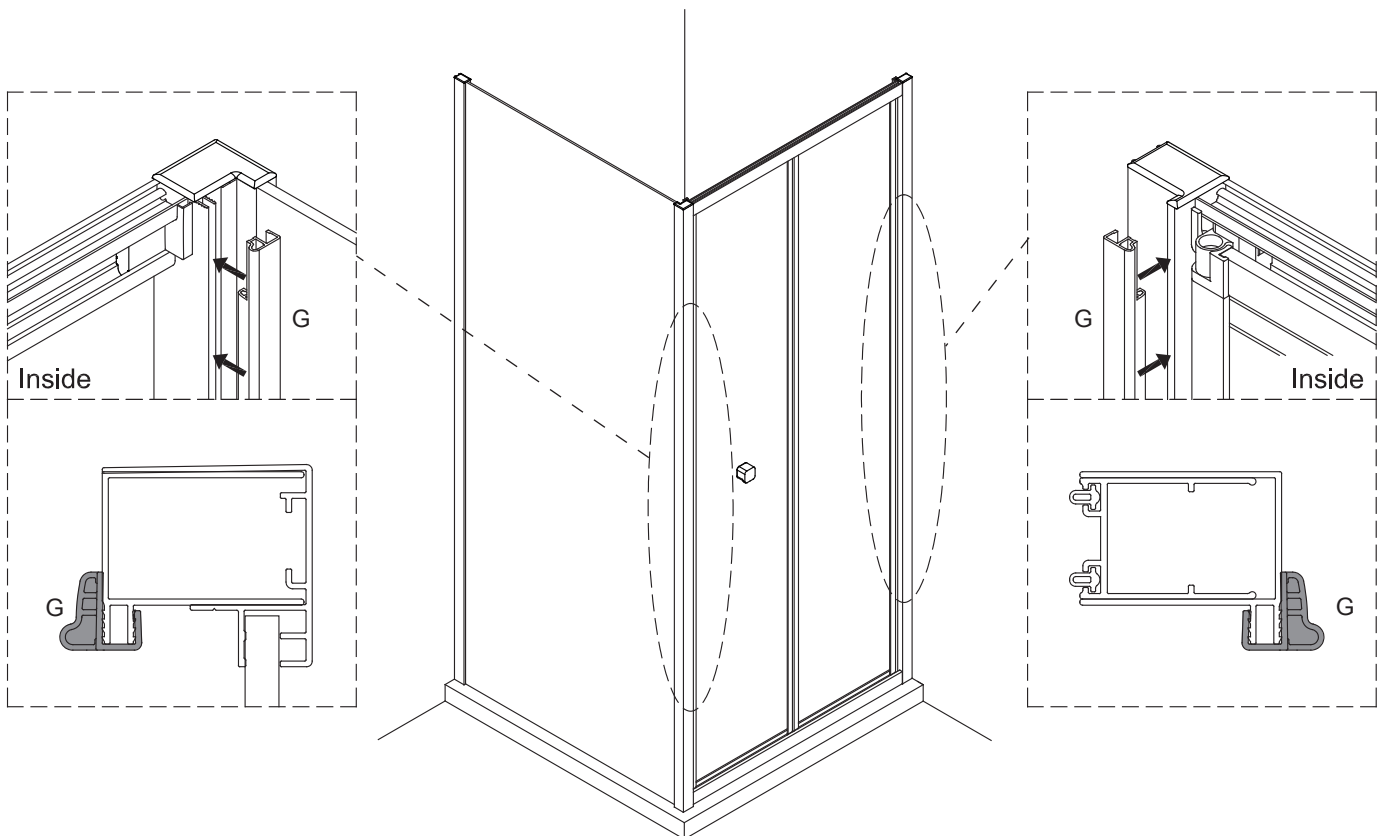
Step 8



Step 9



Step 10



Step 11

