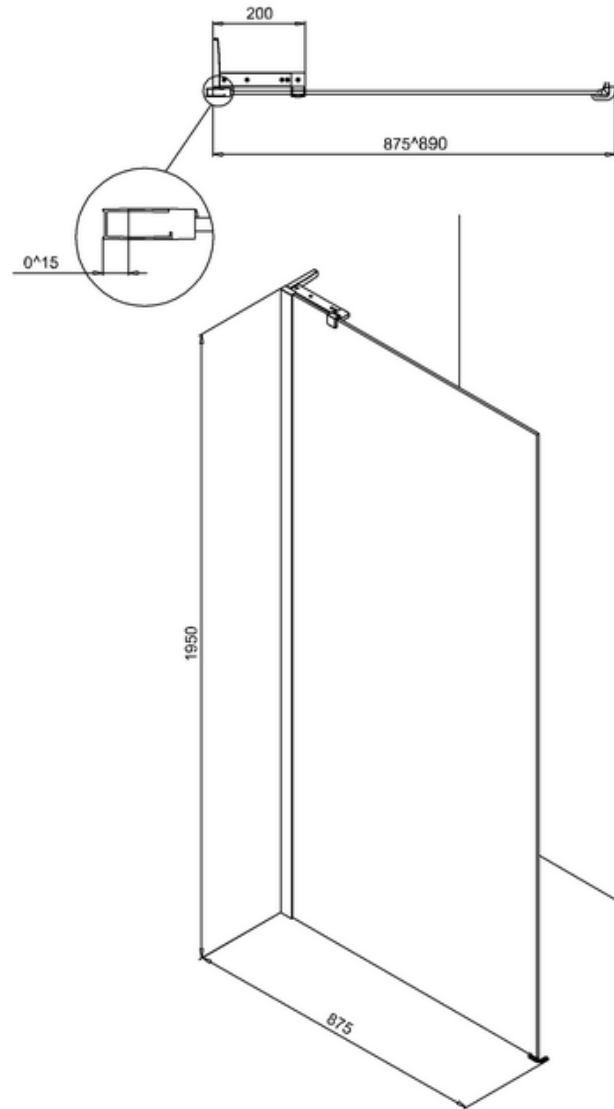


# DSPSC0900+ - Side panel 900mm



Note:  
Whole dimension tolerance is  $\pm 5$ .  
Glass dimension tolerance is  $\pm 2$ .