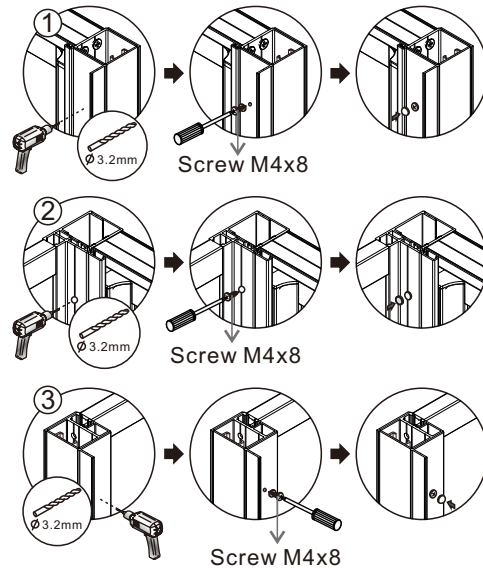
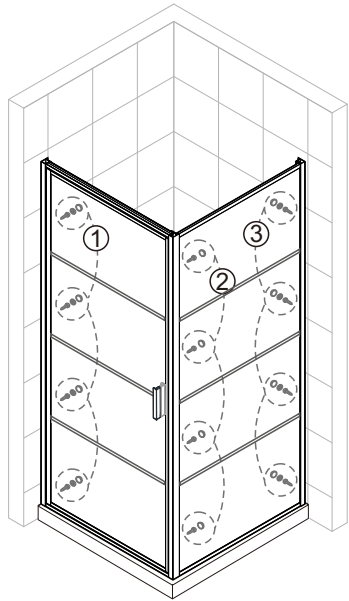
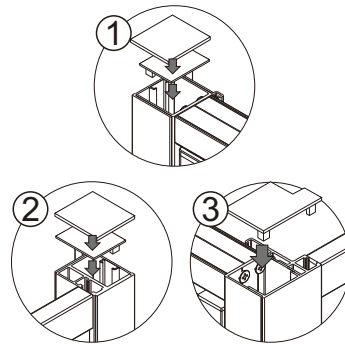
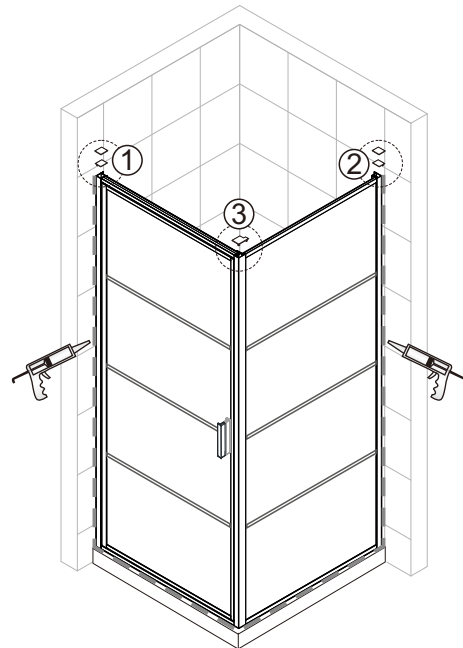


Step 5



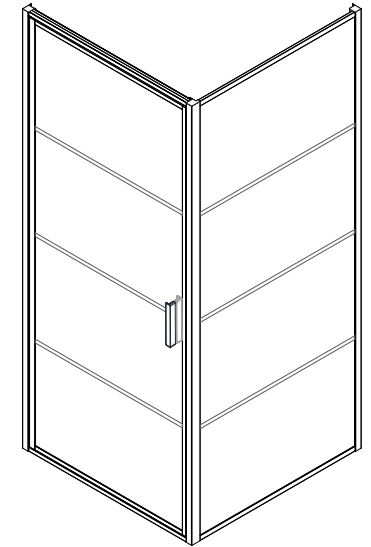
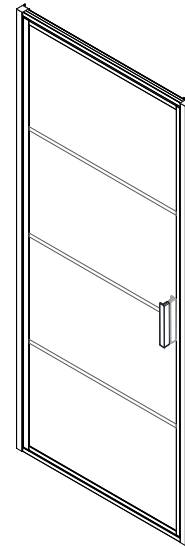
Step 6



Allow 24 hours for silicone to dry before use.

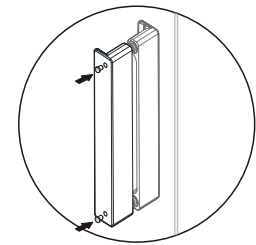
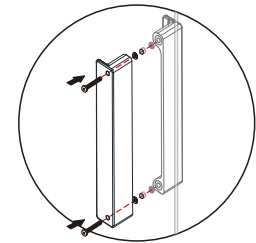
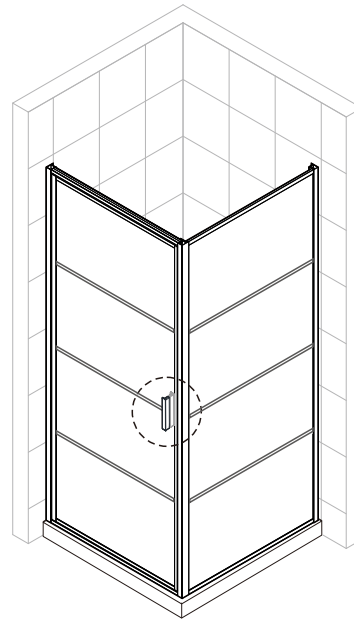
INSTALLATION INSTRUCTIONS

- 1.SW491678/SW491679/SW491680
- 2.SW491678/SW491679/SW491680
+SW491681/SW491682/SW491683



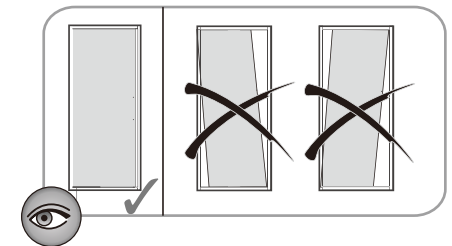
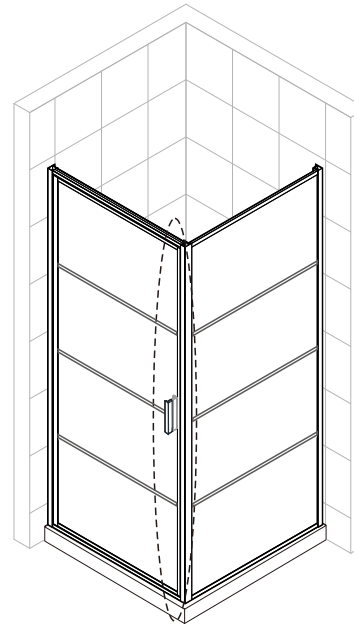
1 | 2

Step 3



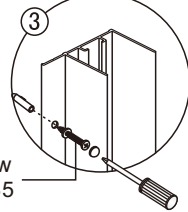
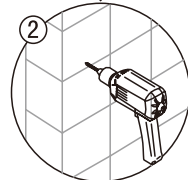
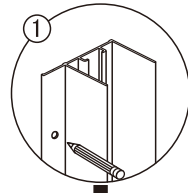
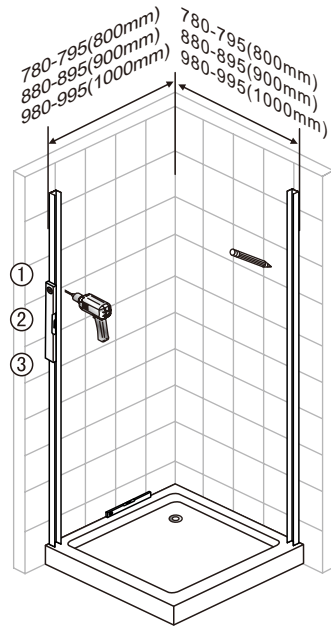
View from inside

Step 4



◆ Installation Steps

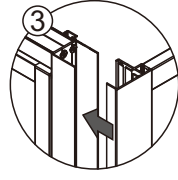
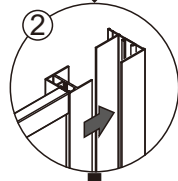
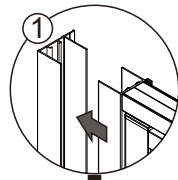
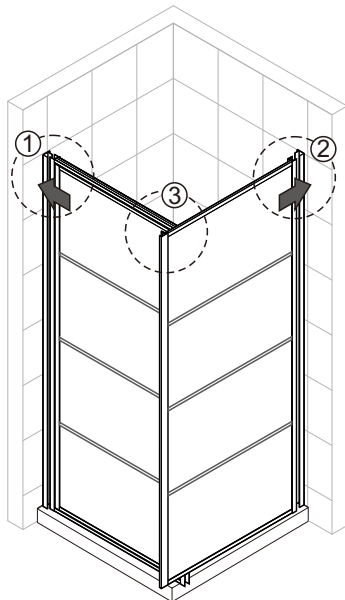
Step 1



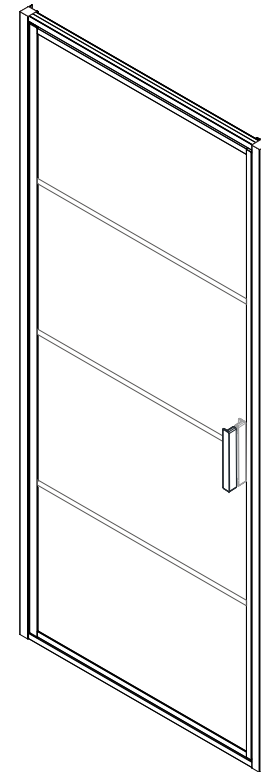
Screw
M4x35

View from inside

Step 2



SW491678/SW491679/SW491680



◆ General Information

Please inspect the product immediately upon receipt for transit damage, missing packs/parts or manufacturing fault. Damage reported later cannot be accepted. Please handle the product with care avoiding knocks and shock loading to all sides and edges of the glass.

Notes: Safety glass can not be re-worked.

Please read these instructions carefully before start of installation.

Special care should be taken when drilling walls to avoid hidden pipes or electrical cables.

Note: This product is heavy and may require two people to install.

Aftercare instructions

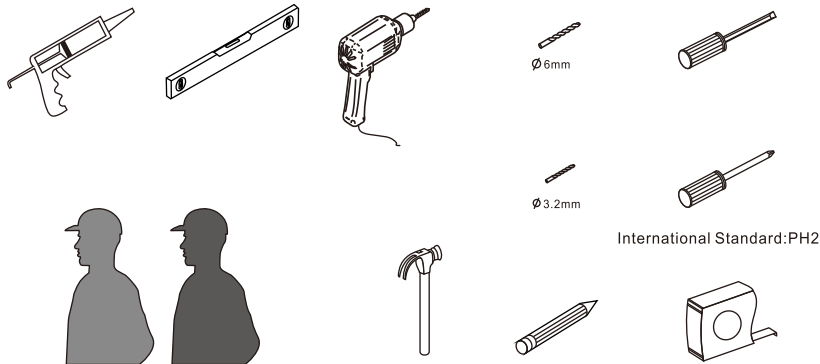
After use, your shower should be cleaned with soap and water. This is particularly important in hard water districts where insoluble lime salts may be deposited and allowed to build up.

Cleaners of a gritty or abrasive nature should not be used. Care should be taken to avoid contact with strong chemicals such as organic solvents and strippers.

Glass cleaners can be used but with caution, if in doubt contact the manufacturer of the cleaner in question.

Please keep these instructions for aftercare and customer service details.

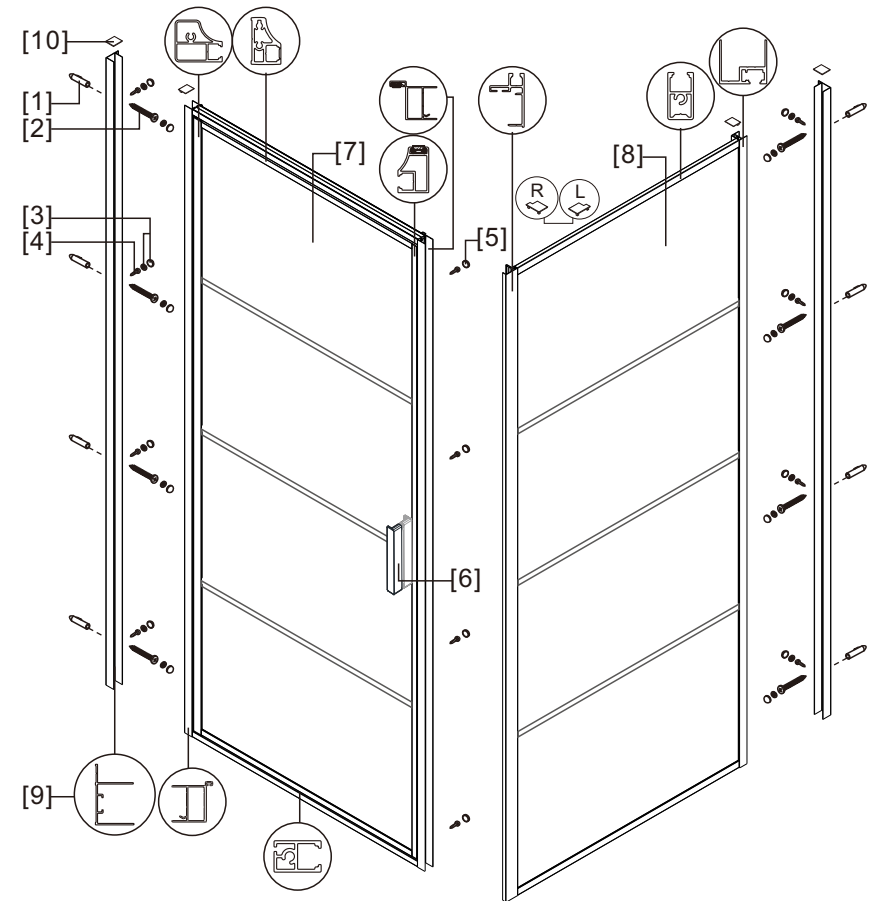
Tools Required



This product is heavy and may require two people to install.



◆ Assembly Drawing







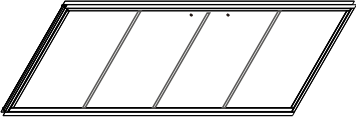


- [1] 8xWall Plugs
- [2] 8xScrews M4x35
- [3] 8xScrew Cover Caps
- [4] 8xScrews M4x8
- [5] 4xScrew Cover Caps



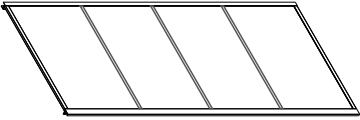
- [6] 1xHandle Set
- [7] 1xDoor Panel
- [8] 1xSide Panel
- [9] 2xWall Posts
- [10] 5xProfile Covers

◆ Box Contents







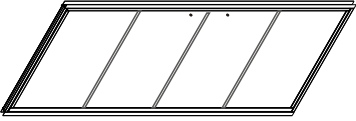
SW491678/SW491679/SW491680:

| | | |
|--|---|---|
| [1] 1xInstallation Instructions | → |  |
| [2] 8xWall Plugs 8xScrews M4x35 8xScrew Cover Caps | → |  |
| [3] 8xScrew M4x8 8xScrew Cover Caps | → |  |
| [4] 1xHandle Set | → |  |
| [5] 2xWall Post | → |  |
| [6] 3xProfile Covers | → |  |
| [7] 1xDoor Panel | → |  |

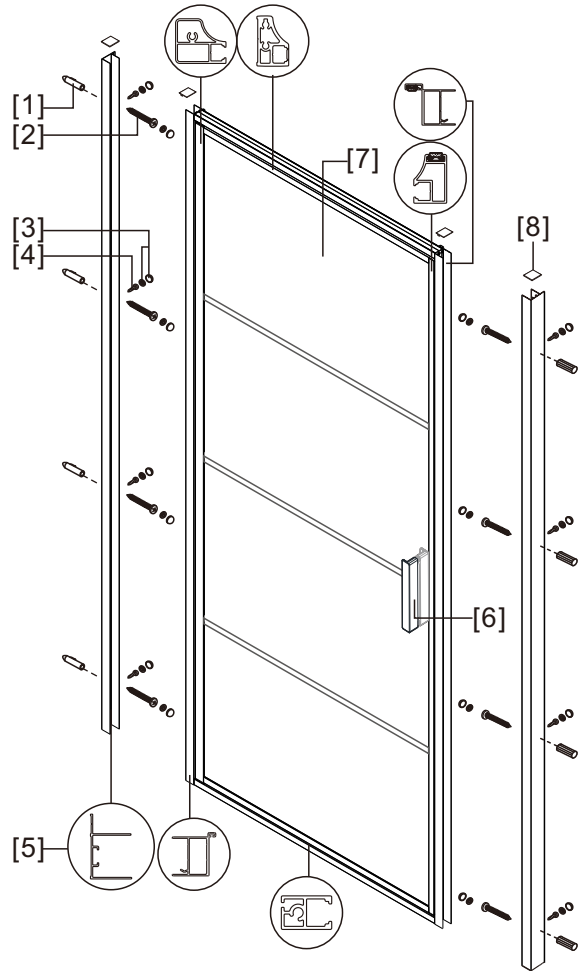
SW491681/SW491682/SW491683:

| | | |
|--|---|---|
| [1] 4xScrews M4x35 4xScrew Cover Caps | → |  |
| [2] 2xProfile Covers | → |  |
| [3] 1xSide Panel | → |  |

◆ Box Contents

| | | |
|--|---|---|
| [1] 1xInstallation Instructions | → |  |
| [2] 8xWall Plugs 8xScrews M4x35 8xScrew Cover Caps | → |  |
| [3] 8xScrew M4x8 8xScrew Cover Caps | → |  |
| [4] 1xHandle Set | → |  |
| [5] 2xWall Post | → |  |
| [6] 4xProfile Covers | → |  |
| [7] 1xDoor Panel | → |  |

◆ Assembly Drawing



- [1] 8xWall Plugs
- [2] 8xScrews M4x35
- [3] 8xScrew Cover Caps
- [4] 8xScrews M4x8

- [5] 2xWall Posts
- [6] 1xHandle Set
- [7] 1xDoor Panel
- [8] 4xProfile Covers

◆ General Information

Please inspect the product immediately upon receipt for transit damage, missing packs/parts or manufacturing fault. Damage reported later cannot be accepted. Please handle the product with care avoiding knocks and shock loading to all sides and edges of the glass.

Notes: Safety glass can not be re-worked.

Please read these instructions carefully before start of installation.

Special care should be taken when drilling walls to avoid hidden pipes or electrical cables.

Note: This product is heavy and may require two people to install.

Aftercare instructions

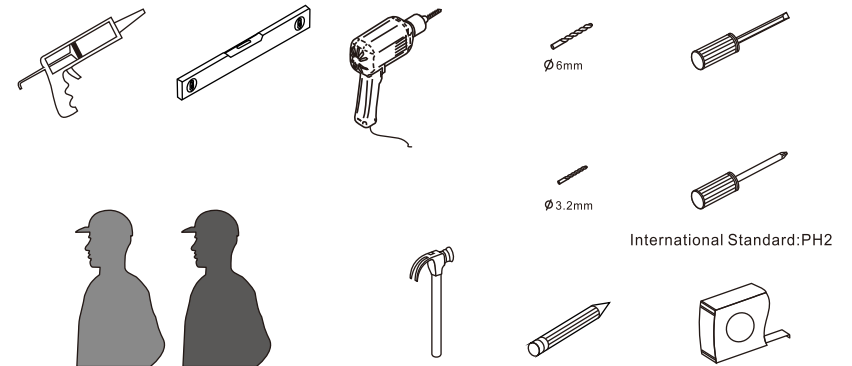
After use, your shower should be cleaned with soap and water. This is particularly important in hard water districts where insoluble lime salts may be deposited and allowed to build up.

Cleaners of a gritty or abrasive nature should not be used. Care should be taken to avoid contact with strong chemicals such as organic solvents and strippers.

Glass cleaners can be used but with caution, if in doubt contact the manufacturer of the cleaner in question.

Please keep these instructions for aftercare and customer service details.

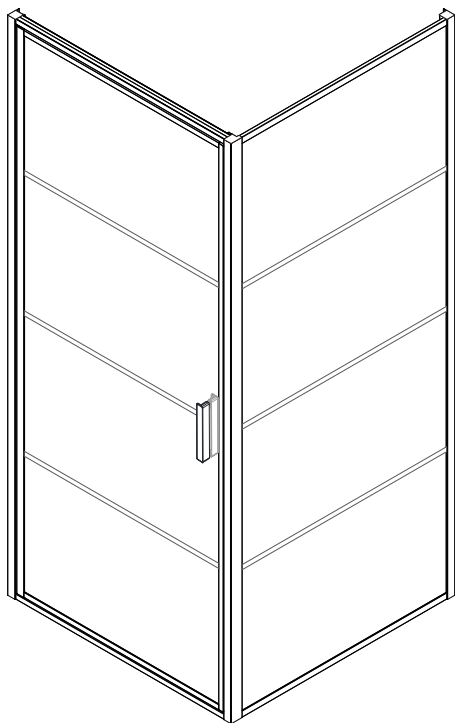
Tools Required



This product is heavy and may require two people to install.

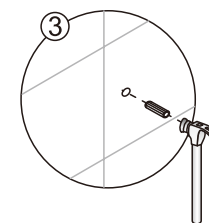
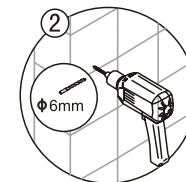
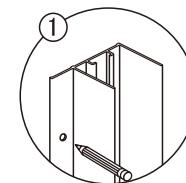
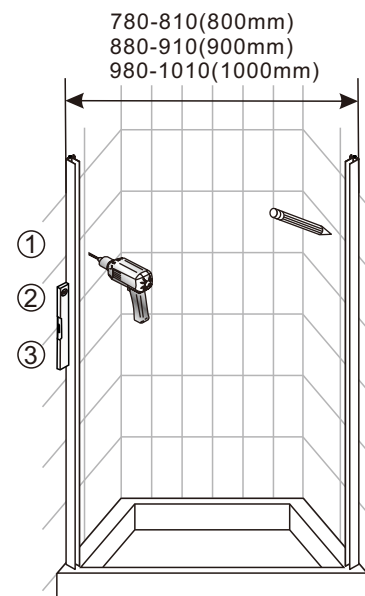


SW491678/SW491679/SW491680
+SW491681/SW491682/SW491683

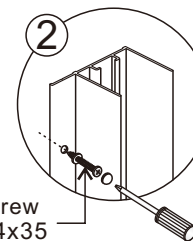
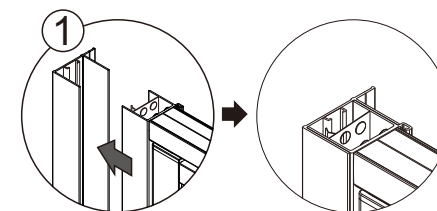
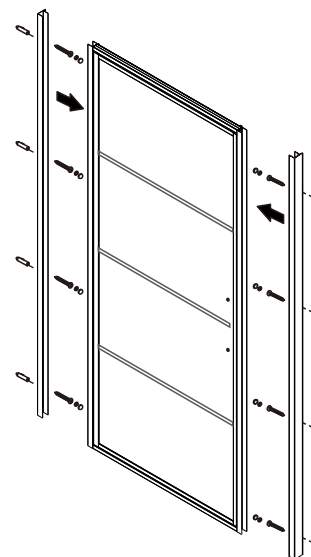


◆ Installation Steps

Step 1



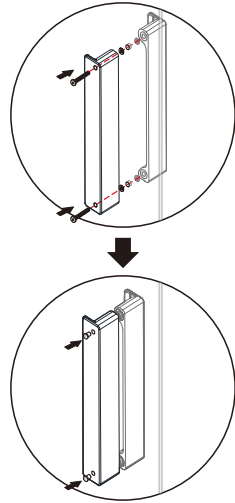
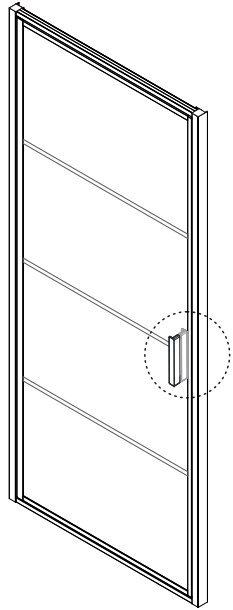
Step 2



Screw
M4x35

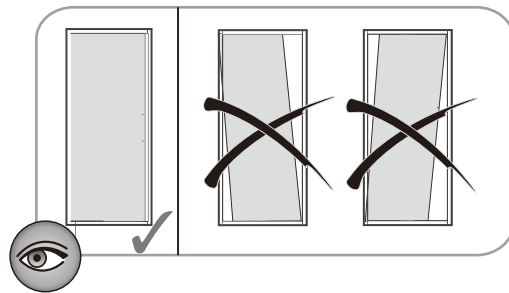
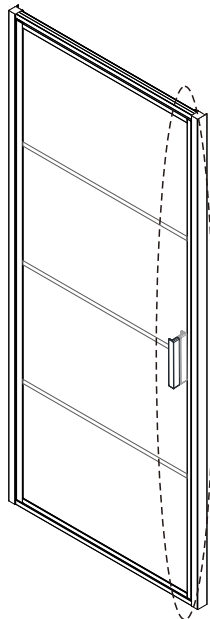
View from inside

Step 3

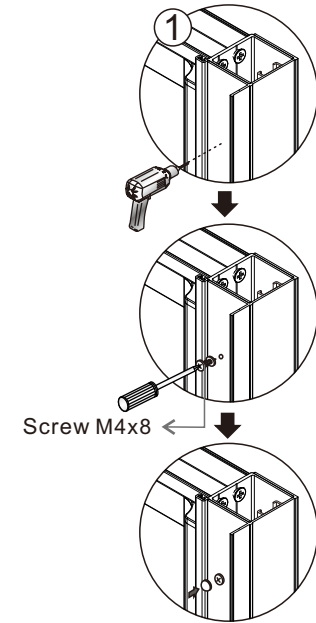
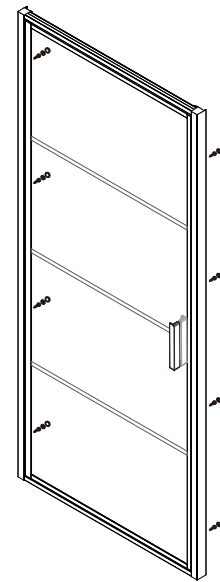


View from inside

Step 4



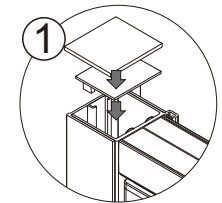
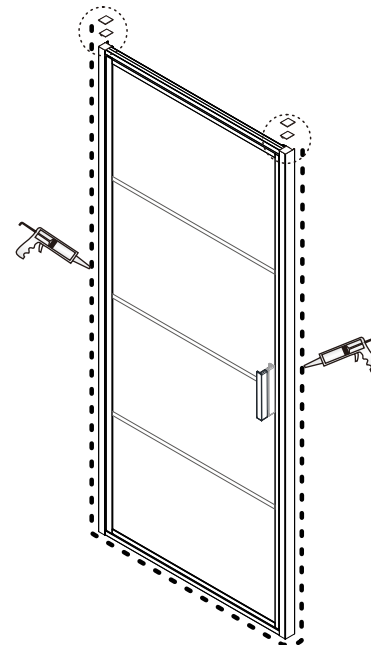
Step 5



Screw M4x8

View from inside

Step 6



Allow 24 hours for silicone to dry before use.