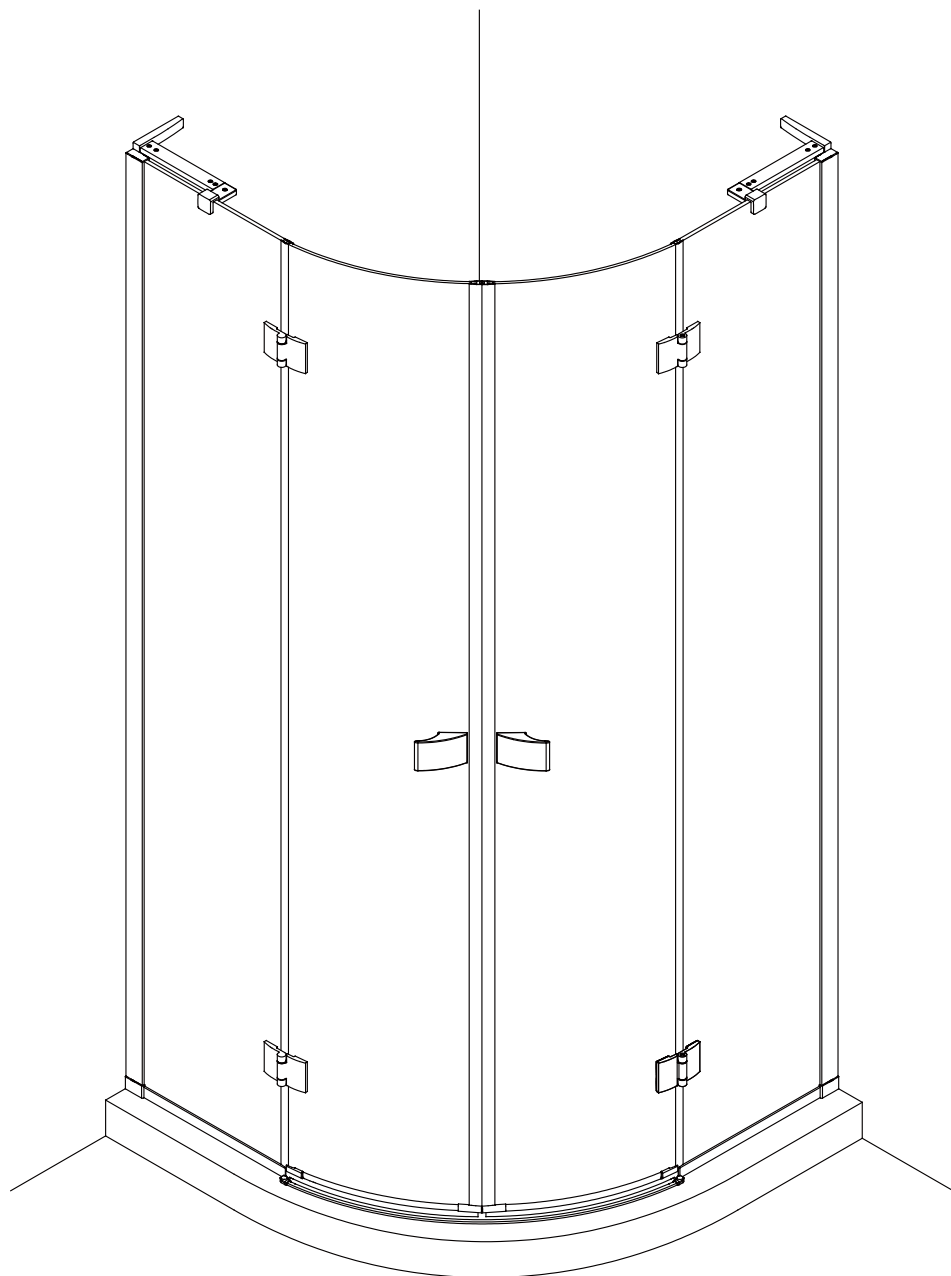


DESIGN QUADRANT DOUBLE DOOR

DQDSC0800+
DQDSC0900+



INSTALLATION INSTRUCTIONS

crosswater[®]
SHOWERING

IMPORTANT - Please read before installation

Please read these instructions carefully before starting installation and keep in a safe place for future reference.

Check the contents of the pack carefully before installation. Simpsons will not be held responsible for any de-fit / re-fit costs where faulty product has been fitted.

If any fault is found with materials or workmanship, it must be reported immediately to the manufacturer. Remedial action will be taken, based on information received, on condition that:

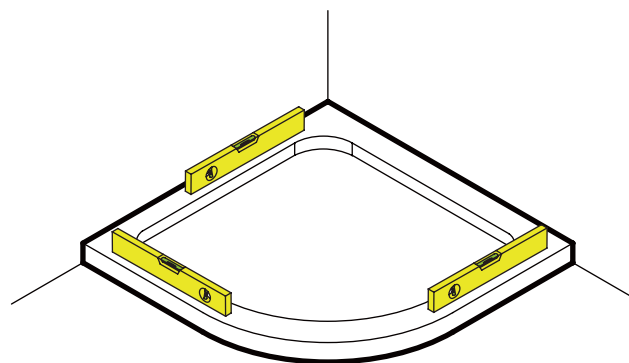
1. Full details are supplied to the manufacturer;
2. The enclosure has not been modified or tampered with;
3. The manufacturer is informed of any damage/shortages prior to installation.

We do not accept responsibility for any problems that may occur through incorrect installation.

The success of the installation and operation of any shower enclosure is, of course, dependant on the squareness, alignment and construction of the walls to which fixing is to be carried out.

VERY IMPORTANT

You must complete all tiling and grouting, and the shower tray **MUST** be level and fully sealed to the tiles before installation. If you do not fit the enclosure onto a tiled surface, or seal the tiles to the tray before installation, water may soak into the wall behind the wall profiles.



INSTALLATION - Advice and safety

The installation instructions are based on typical use and conditions.

All doors are designed to open outwards only.

These hints have been prepared for your guidance, you must exercise due care at all times.

For Health and Safety 2 people must carry out the installation of this enclosure.

Handle glass with care. Although the glass supplied is toughened safety glass (EN12150), impacts can damage both the glass and the frame.

Warning!

Please check for any hidden pipes or cables before drilling holes in the wall.

When using power tools always follow the manufacturers user instructions.

If the Framework is sealed to the tray on the inside, any water that may get into the framework will not be able to drain back into the tray, this may cause the enclosure to leak.

Leave the silicone sealant to dry for 24 hours before using the enclosure.

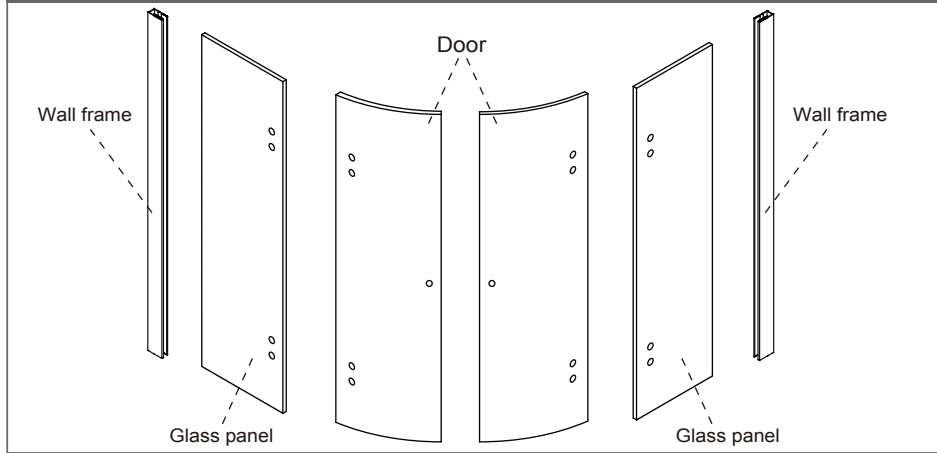
CARE AND CLEANING


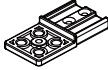


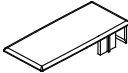


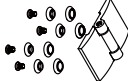



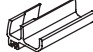

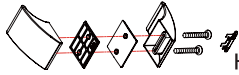




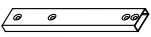
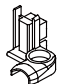

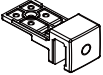
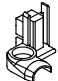

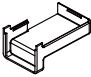


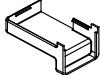
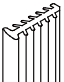

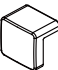
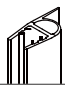

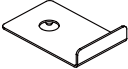
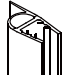
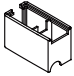

Do not use solvents or abrasive material or chemicals to clean the enclosure.

Only clean using soapy water and a soft cloth, rinse thoroughly afterwards.

CONTENTS

HINGED DOOR

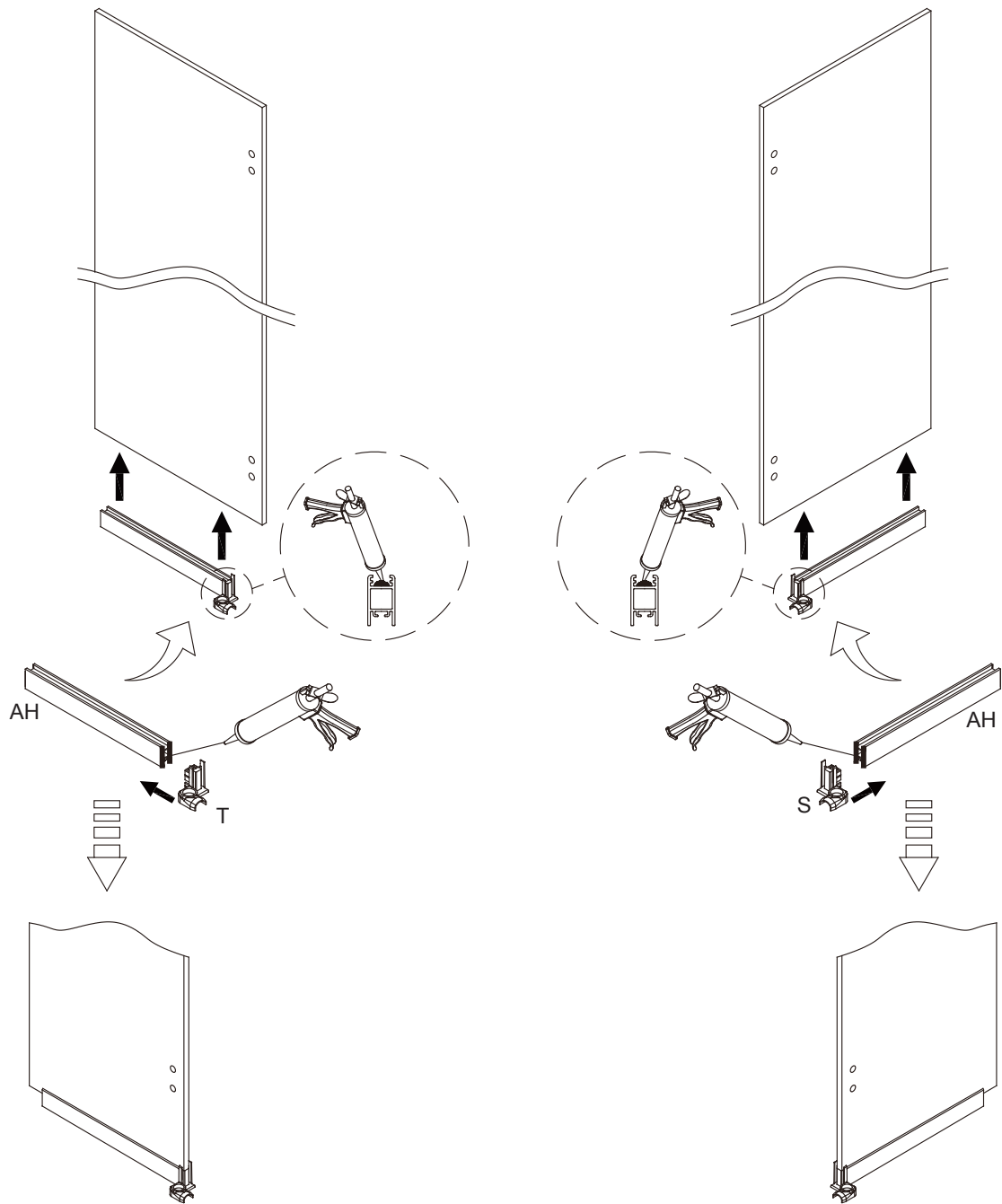


A	 ST4 *40mm Screw x 4	M	 Fixed Part x 2	Y	 Magnetic Strip x 2
B	 ST4 *40mm Screw x 6	N	 Cover x 2	Z	 Water Channel Middle x 2
C	 Wall Plug x 10	O	 Hinge x 4	AA	 Water Channel End x 1
D	 M4 *8mm Screw x 10	P	 Cover for taper sleeve x 16	AB	 Water Channel End x 1
E	 Wall Bracket x 2	Q	 Handle x 2	AC	 Water Channel End x 1
F	 Wall Bracket Cover I x 2	R	 Breakwater Bar x 1	AD	 Water Channel End x 1
G	 Support Bar x 2	S	 End Part x 1	AE	 Bottom Waterproof Strip x 1
H	 Glass Clamp x 2	T	 End Part x 1	AF	 Bottom Waterproof Strip x 1
I	 Cap I x 1	U	 Cover x 2	AG	 Plastic Seal Strip x 2
J	 Cap I x 1	V	 Wall frame sealing strip x 2	AH	 Bottom profile x 2
K	 Cap II x 2	W	 Waterproof Strip x 1	AI	 Bottom seat x 1
L	 Cap III x 2	X	 Waterproof Strip x 1	AJ	 Bottom seat x 1
				AK	 Allen Key 4mm x 1

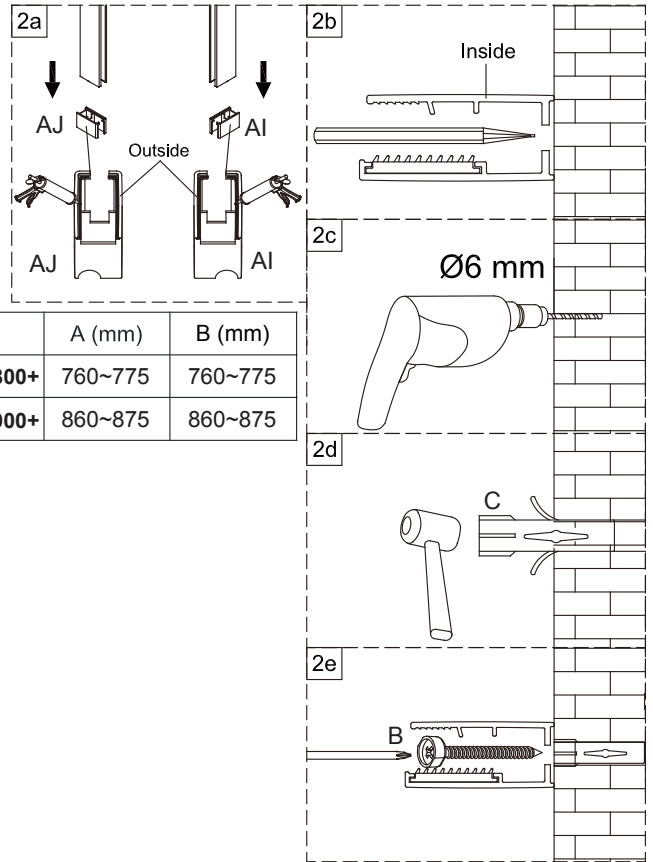
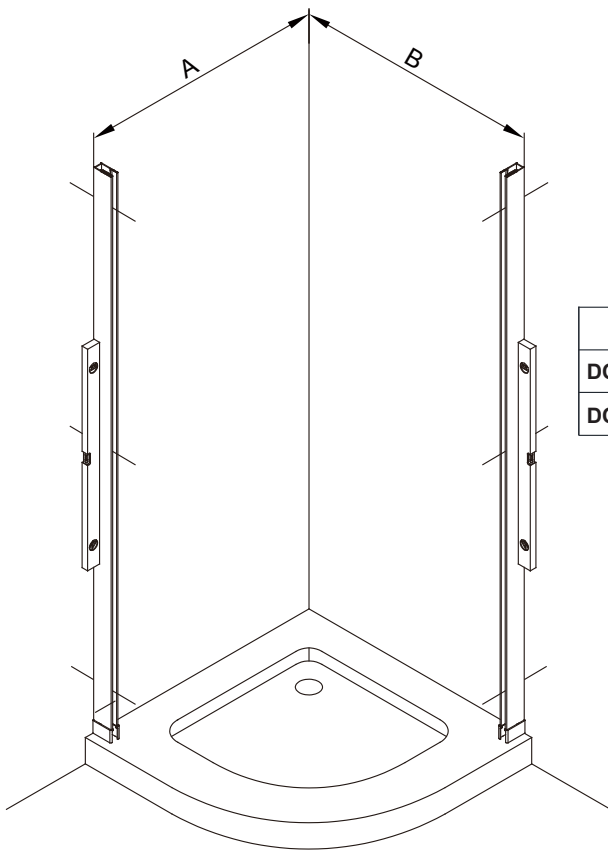
Tools and equipment needed

Drill, 6mm Masonry drill bit, 3.2mm General drill bit, Philips screwdriver, Spirit level, Pencil, Scissors, Silicone sealant.

Step 1

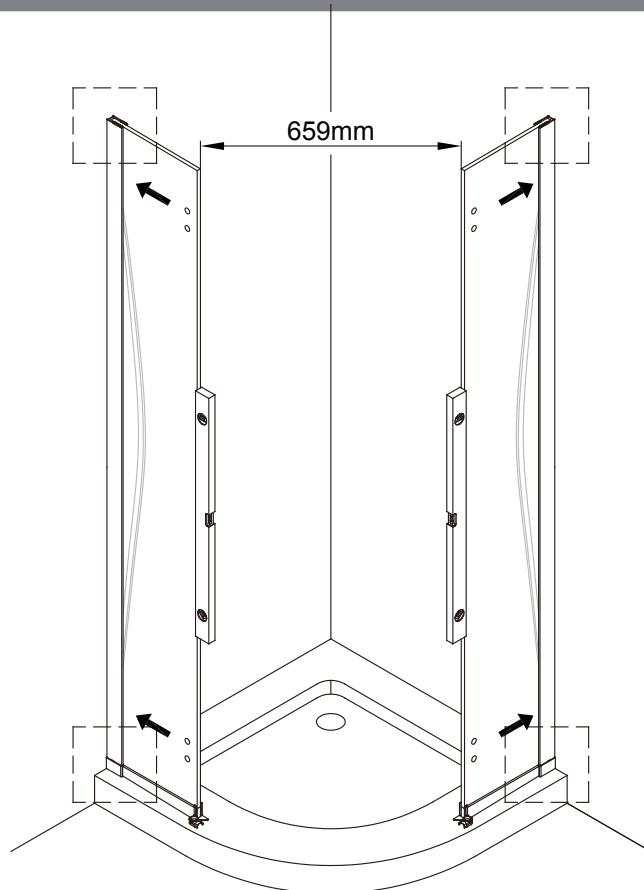
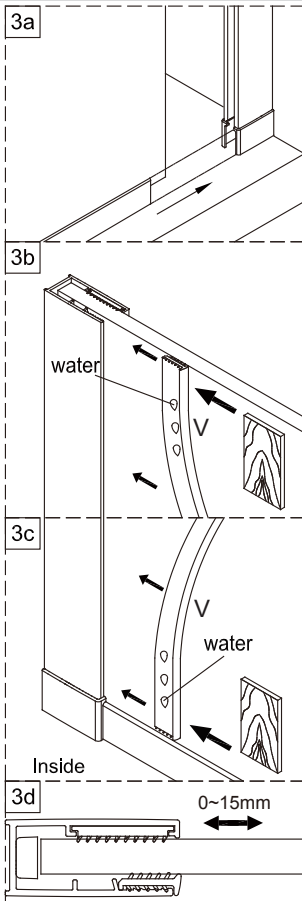


Step 2

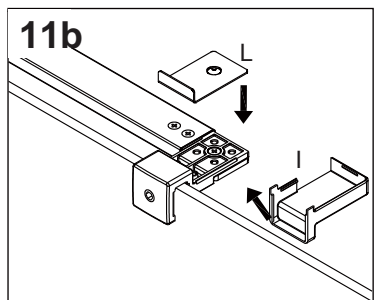
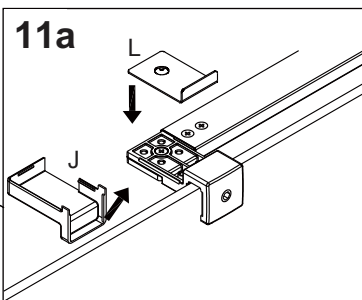
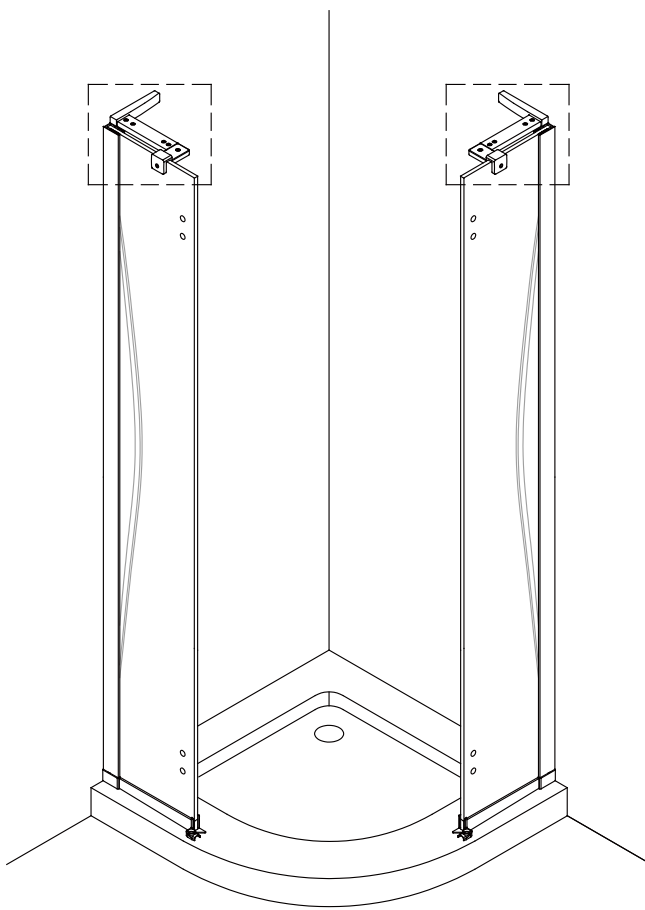
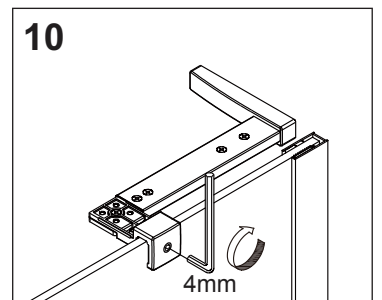
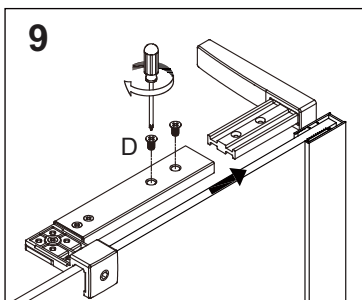
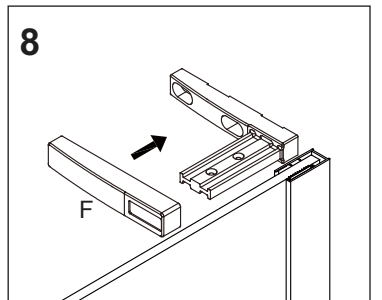
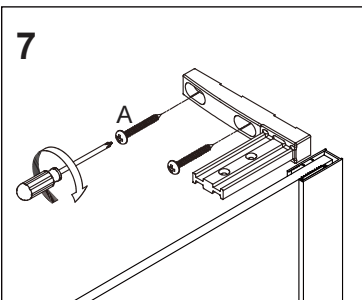
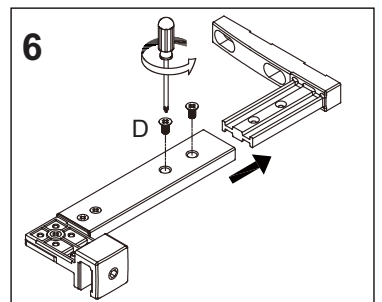
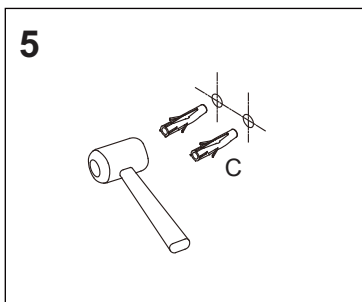
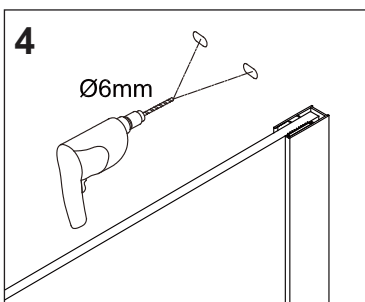
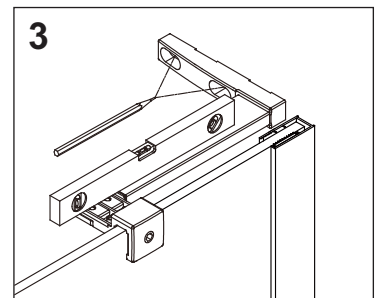
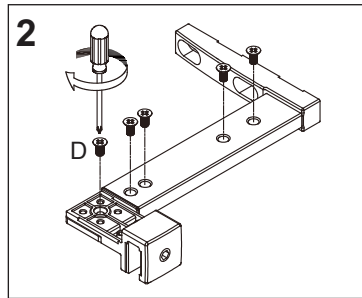
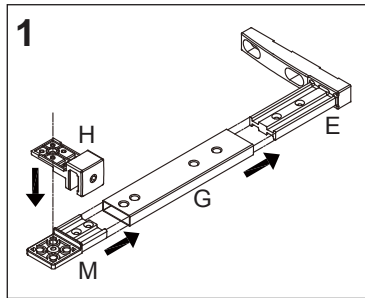


Model	A (mm)	B (mm)
DQDSC0800+	760~775	760~775
DQDSC0900+	860~875	860~875

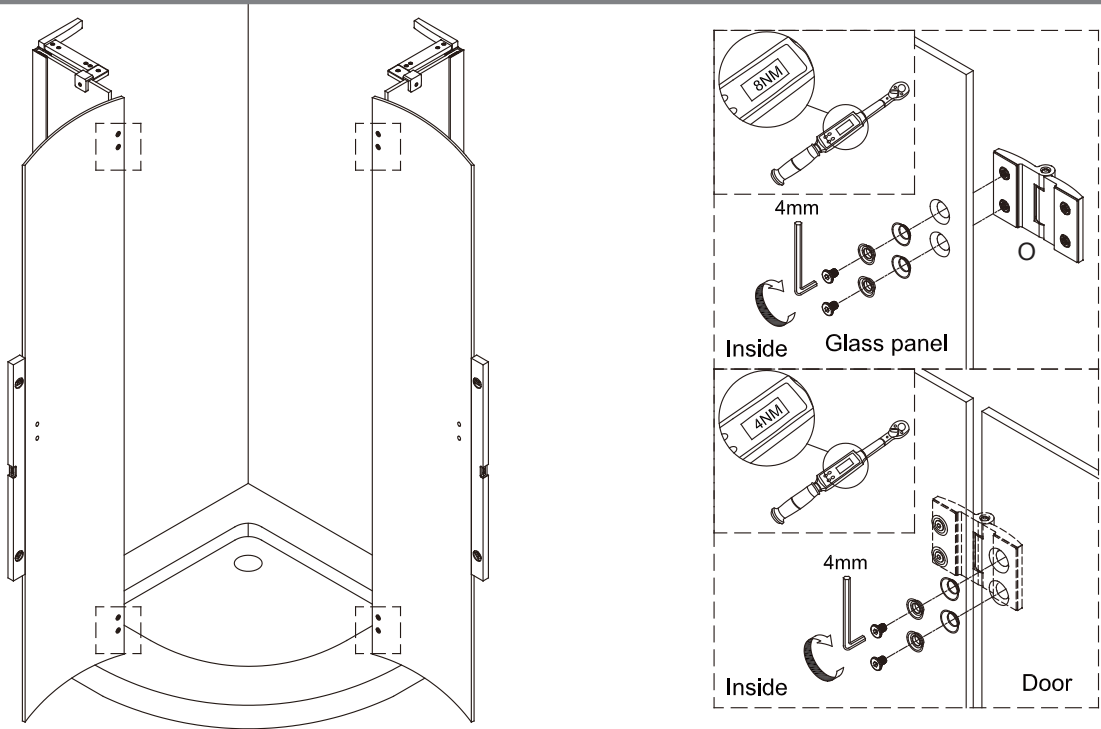
Step 3



Step 4

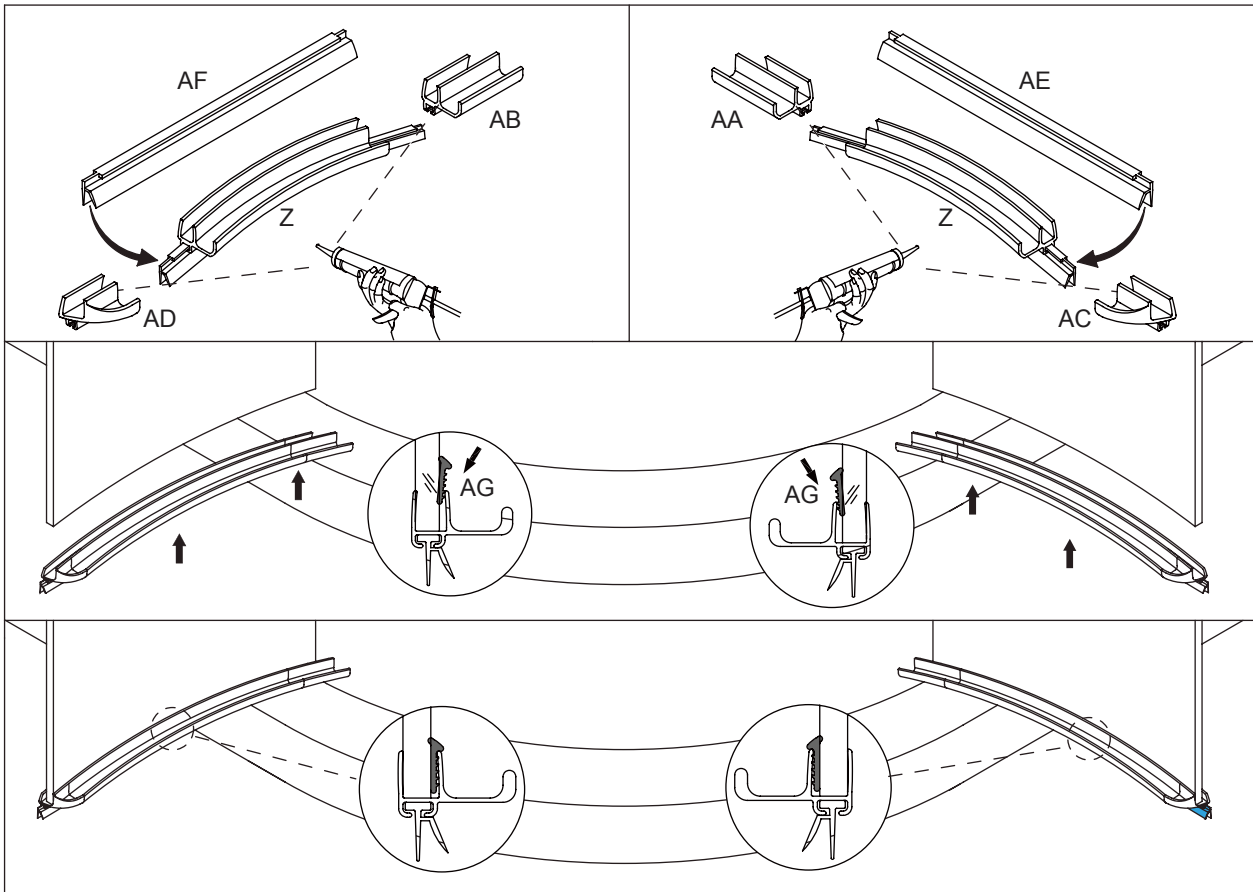


Step 5

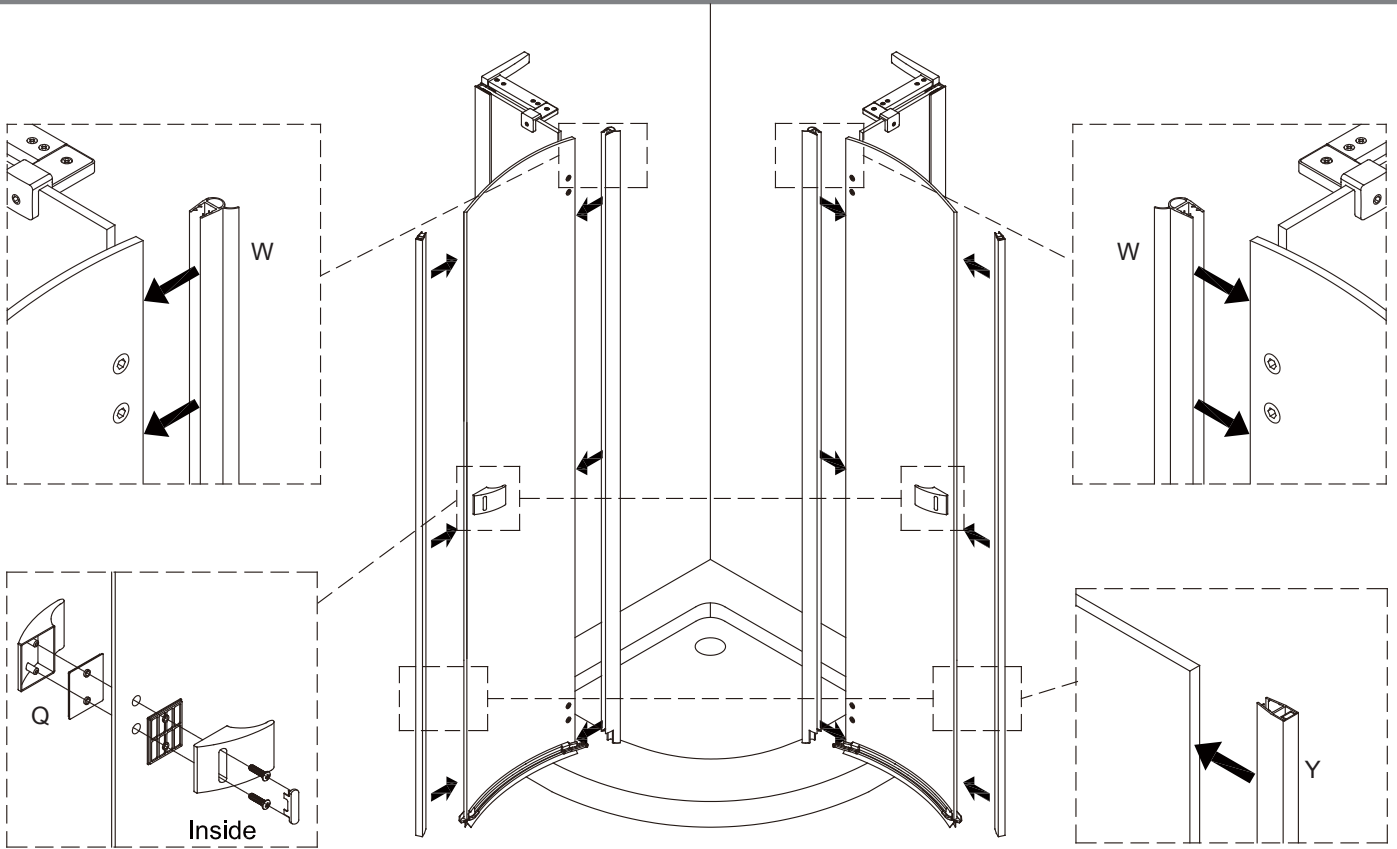


Step 6

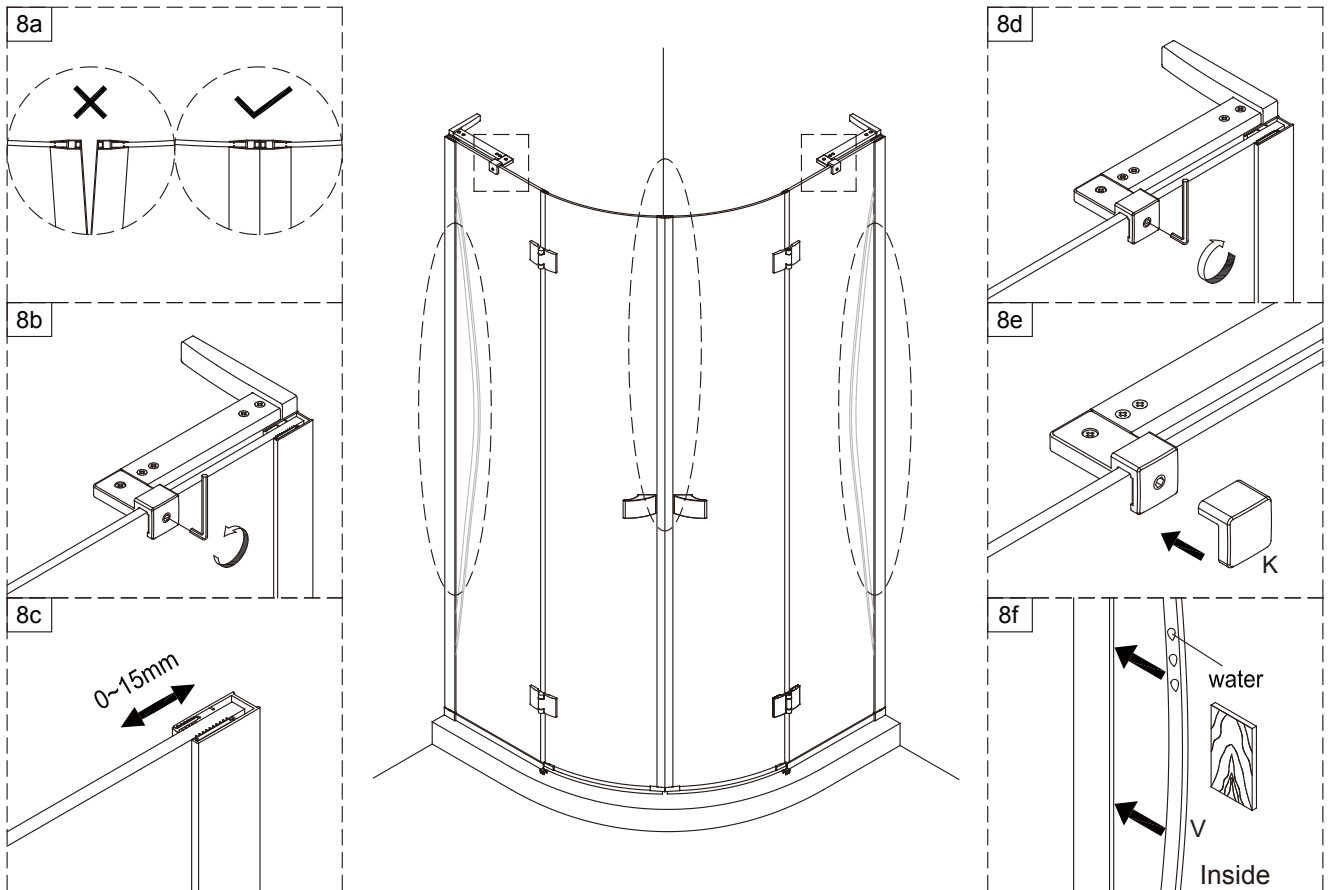
1. Insert Bottom Waterproof Strip (AE and AF) into Water Channel Middle (Z) with profile end to Non hinged side of door making sure it goes completely home into Water Channel End (AC) or (AD).
2. Slide Water Channel End (AC) or (AD) onto Bottom Waterproof Strip (AE and AF) and Water Channel Middle (Z) using silicone sealant on joint faces.
3. Slide Water Channel End (AA) or (AB) onto Bottom Waterproof Strip (AE and AF) and Water Channel Middle (Z) using silicone sealant on joint faces.
4. Insert completed assembly onto bottom of door and fit Plastic Seal Strip (AG).



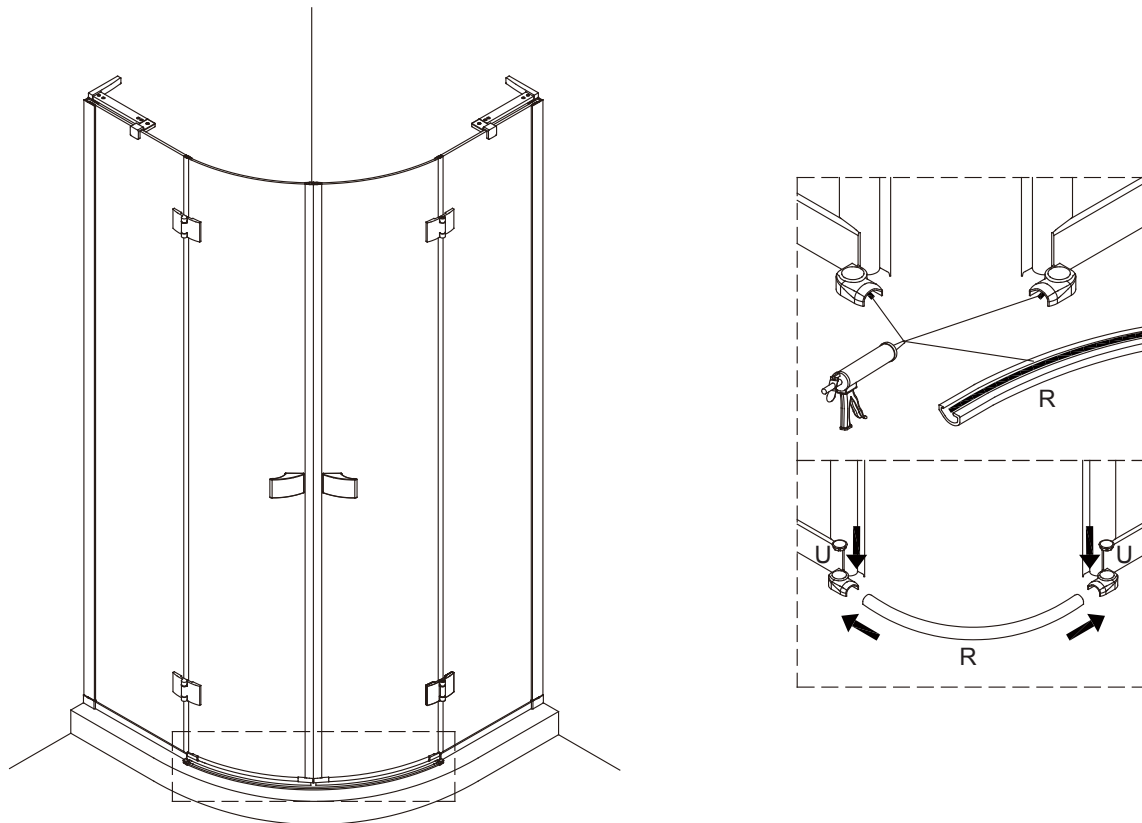
Step 7



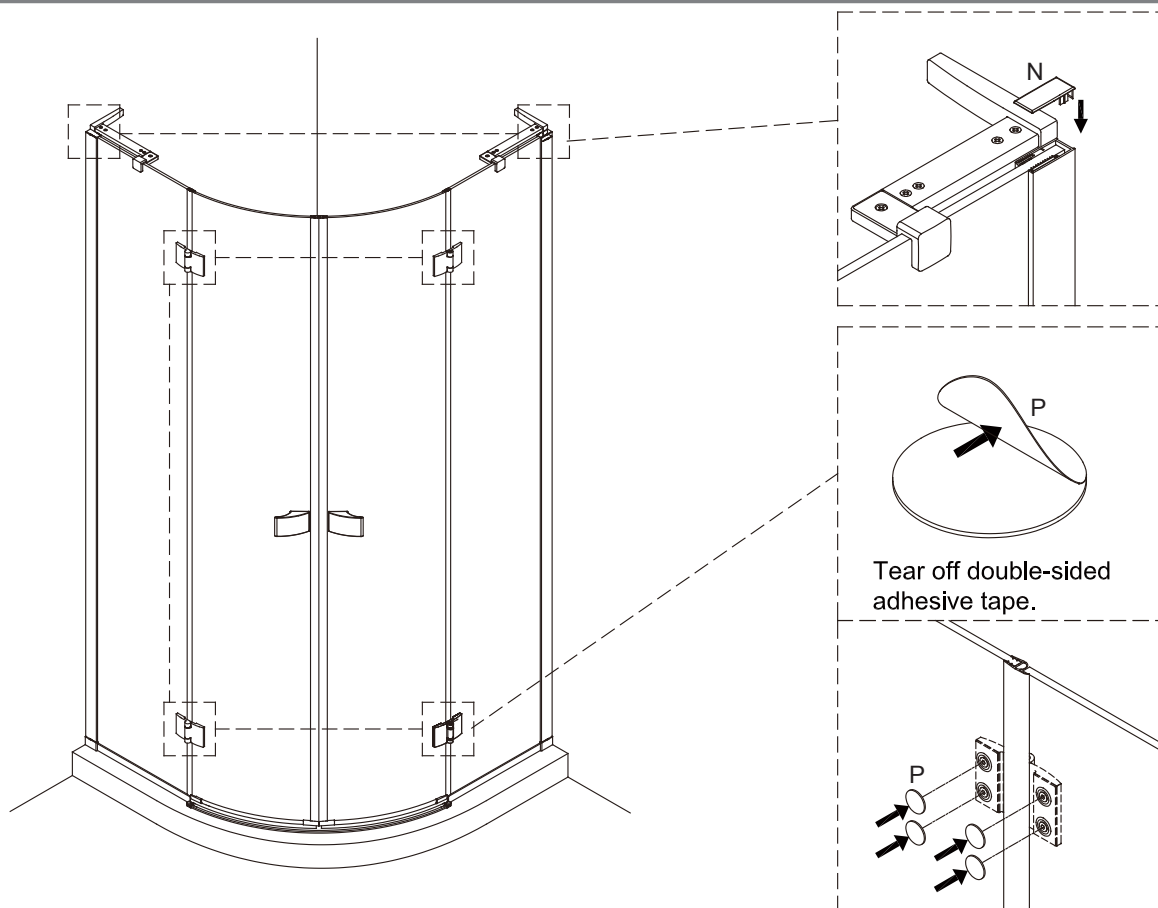
Step 8



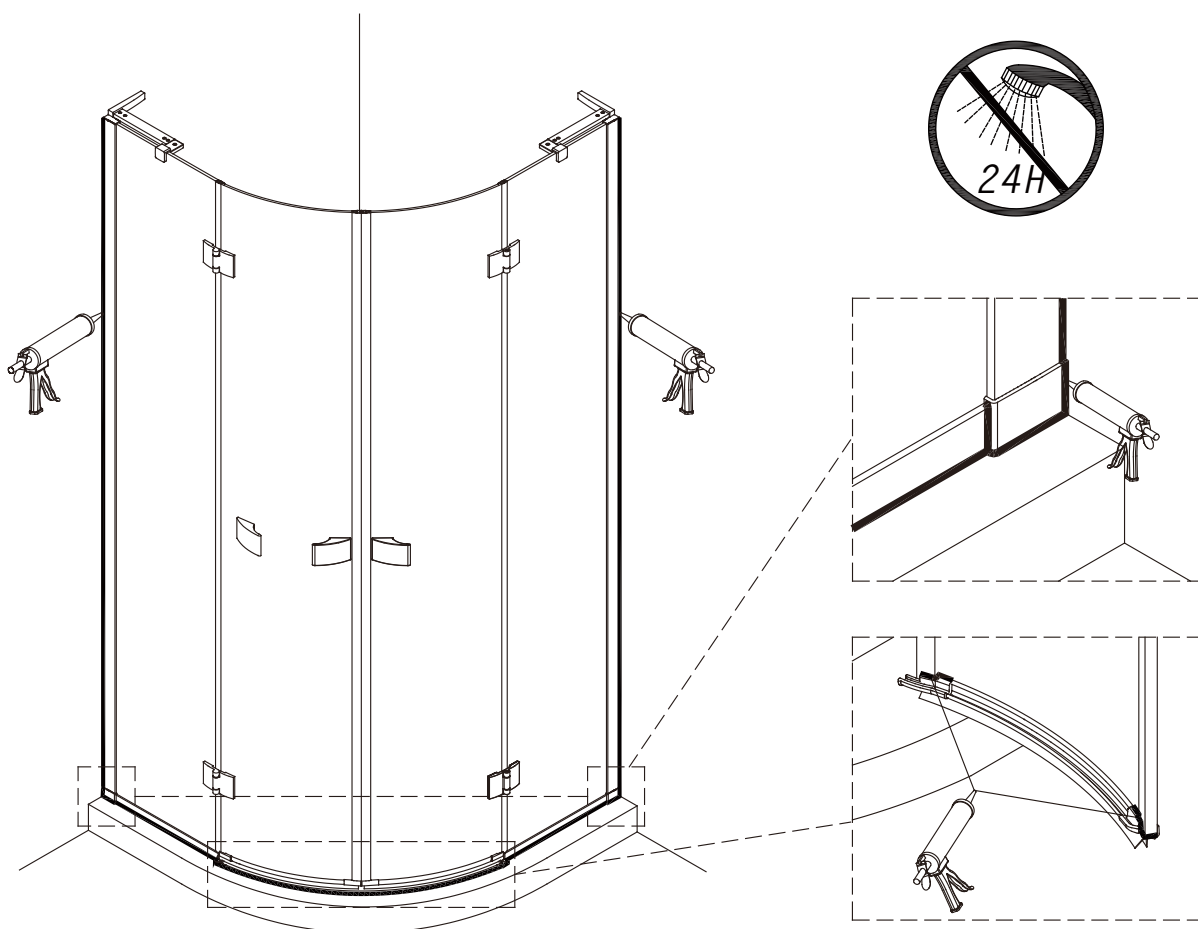
Step 9



Step 10



Step 11



crosswater[®]
SHOWERING

For any further information please contact Crosswater
Phone number, 0345 873 8840
Website, crosswater.co.uk
Email address, sales@crosswater.co.uk
The manufacturer reserves the right to make technical
modifications without prior notice.