

PRODUCT DATA SHEET



PRODUCT CODE

GD121WNNM

RANGE

GLIDE II

DESCRIPTION

Wall Mounted Basin Set Single Plate
Matt Black

MIN. PRESSURE 1 Bar

MAX. PRESSURE 5 Bar

PRESSURE (BAR) FLOWRATE

LOW 0.2 1.4

MID 0.5 2.34

1 3.35

HIGH 2 4.38

3 4.38

COLOUR Matt Black

MATERIAL Brass

FINISH APPLICATION Powder Coated

INSTALLATION TYPE Deck Mounted

STANDARDS EN200:2008

HEADWORK 35mm Single Lever
Ceramic Cartridge

INLET CONNECTIONS THREAD G1/2"

FLOW REGULATOR Perlator Coin Slot M24x1

TAP HOLES 2

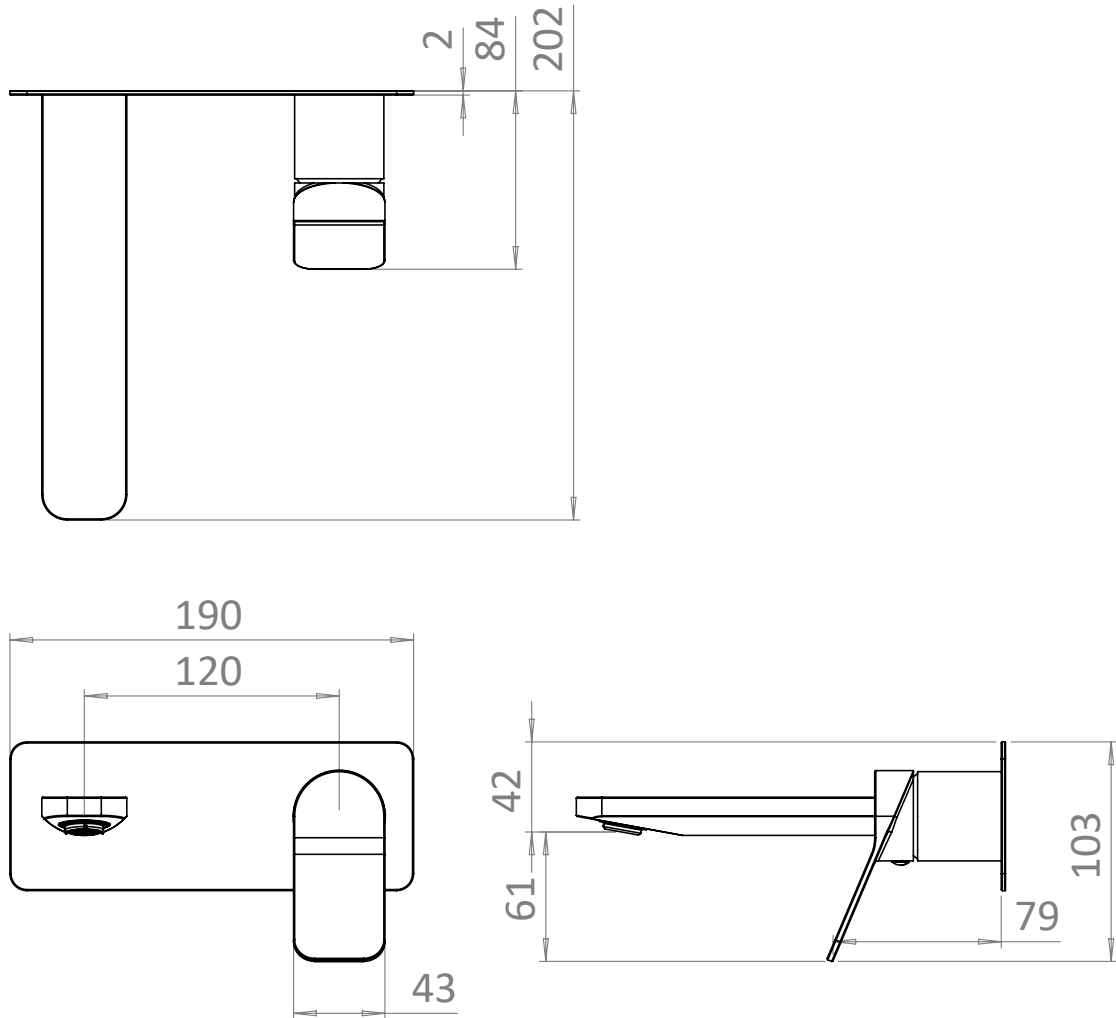
WEIGHT 1.8kg

WARRANTY 15 Years

TECHNICAL DIMENSIONS

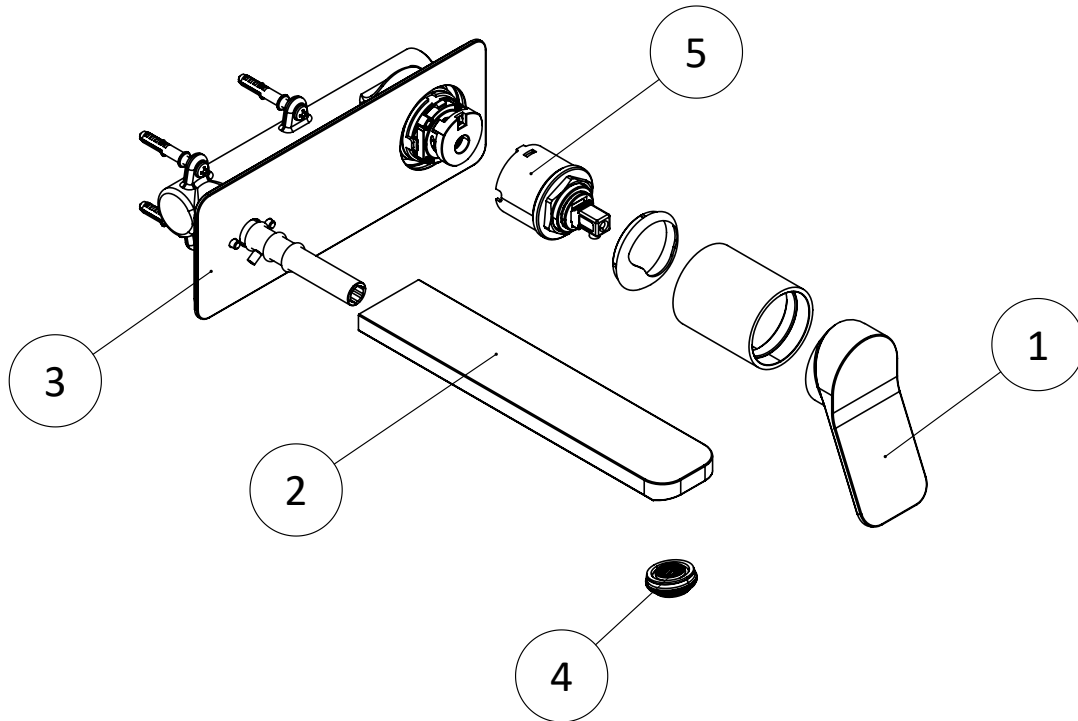
Dimensions in mm unless otherwise specified.

Tolerances (per material type) apply.



V11022

SPARES DIAGRAM



NUMBER	PART CODE	DESCRIPTION
1	A033110202	GD110/112V Stainless Lever
	A033110201	GD110/112M Matt Black Lever
	A033110200	GD110/112C Chrome Lever
	A033110203	GD110/112F Brushed Brass Lever
2	A033140202	GD121WNV Brushed Stainless Steel Spout
	A033140201	GD121WNM Matt Black Spout
	A033140200	GD121WNC Chrome Spout
	A033140203	GD121WNF Brushed Brass Spout
3	A033140402	GD121WNV Brushed Stainless Steel Wall Plate
	A033140401	GD121WNM Matt Black Wall Plate
	A033140400	GD121WNC Chrome Wall Plate
	A033140403	GD121WNF Brushed Brass Wall Plate
4	B04001701	GD110/112/121 Aerator
5	B06004900	GD121 Cartridge

Only the parts labelled are available as spares.

V11022