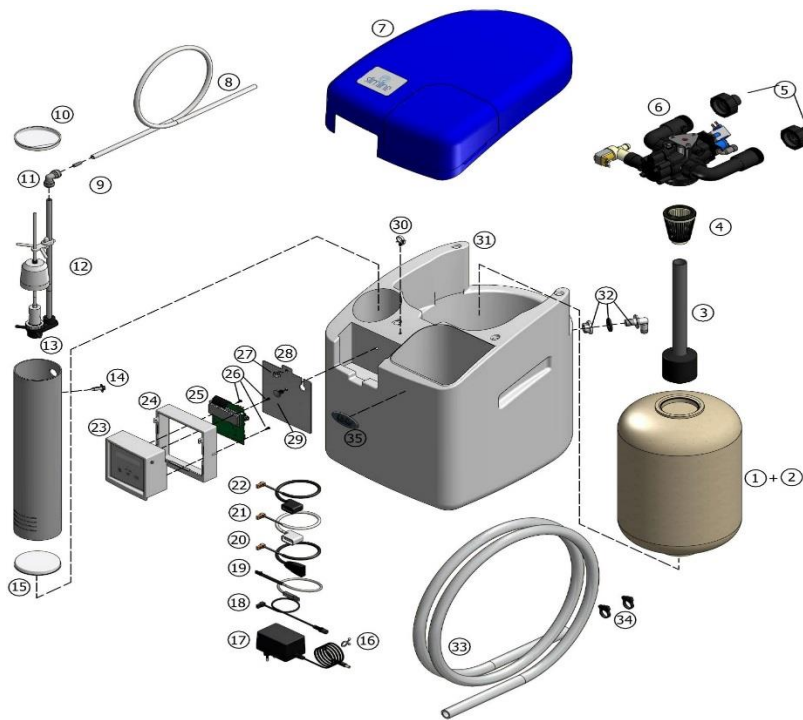


Wisselstukken - Pièces détachées - Spare parts

Aqua-O-Matic Compact Eco

SKU: 286031 – 032 – 033

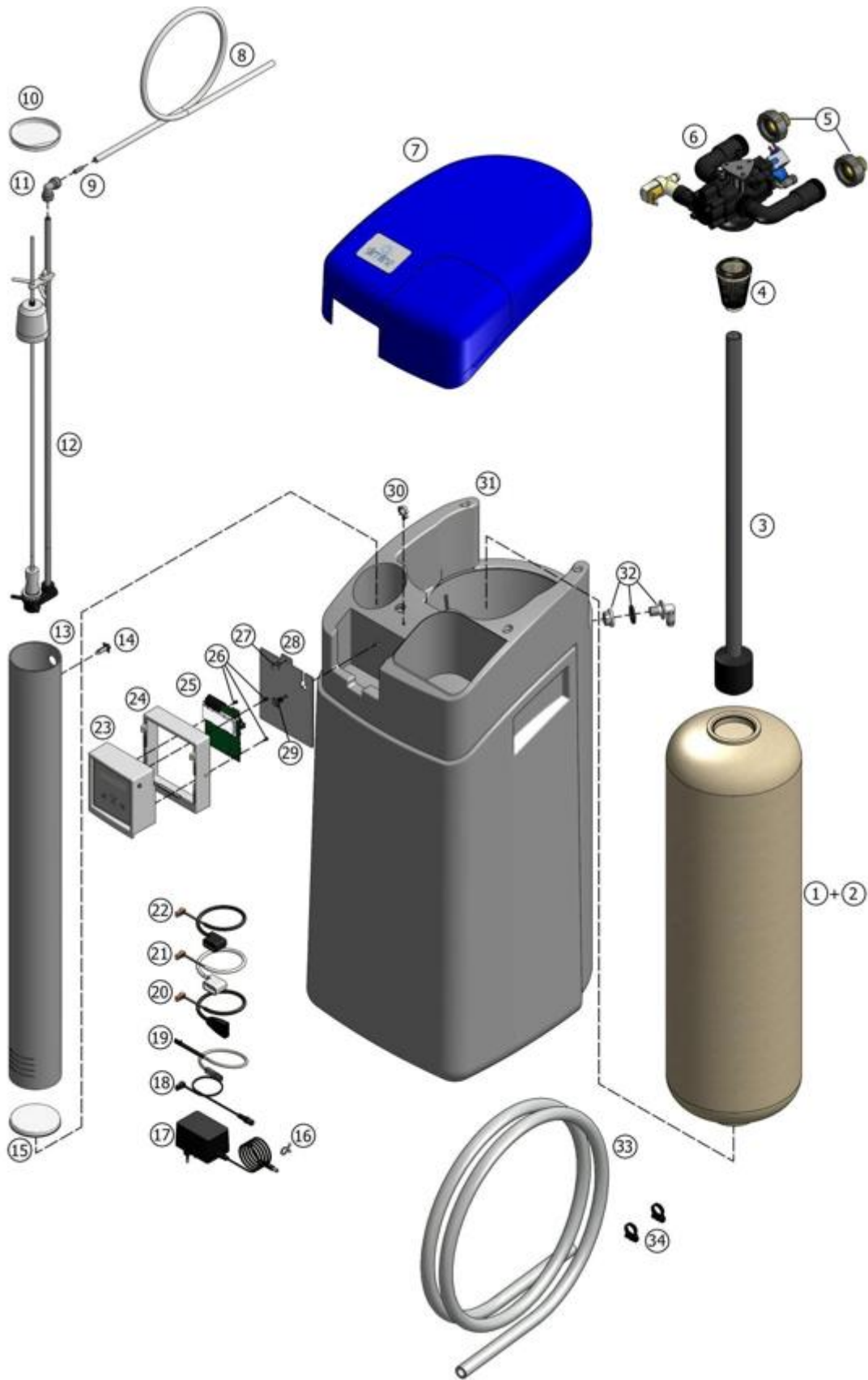
## MINI



Nr	Ref	SKU	Omschrijving
1	PT/1016/CP	286604	Pressure tank 10x16
2	E8000		Softening resin
3	38528	286601	Riser tube assembly with deflector
4	287/166	286610	Top distributor
5	568/303/6	286609	Connection kit 3/4" male
6	541NC89/L80/VAM	286606	klep VAM
7	38529		Cover assembly
8	H1015/2		Brine line polytube
9	38519		Brine line filter
10	H1016/2		Brine well cap, top
11	DM/A6EU6	286724	Quick-fit elbow 3/8"
12	38530		Brine valve assembly 464

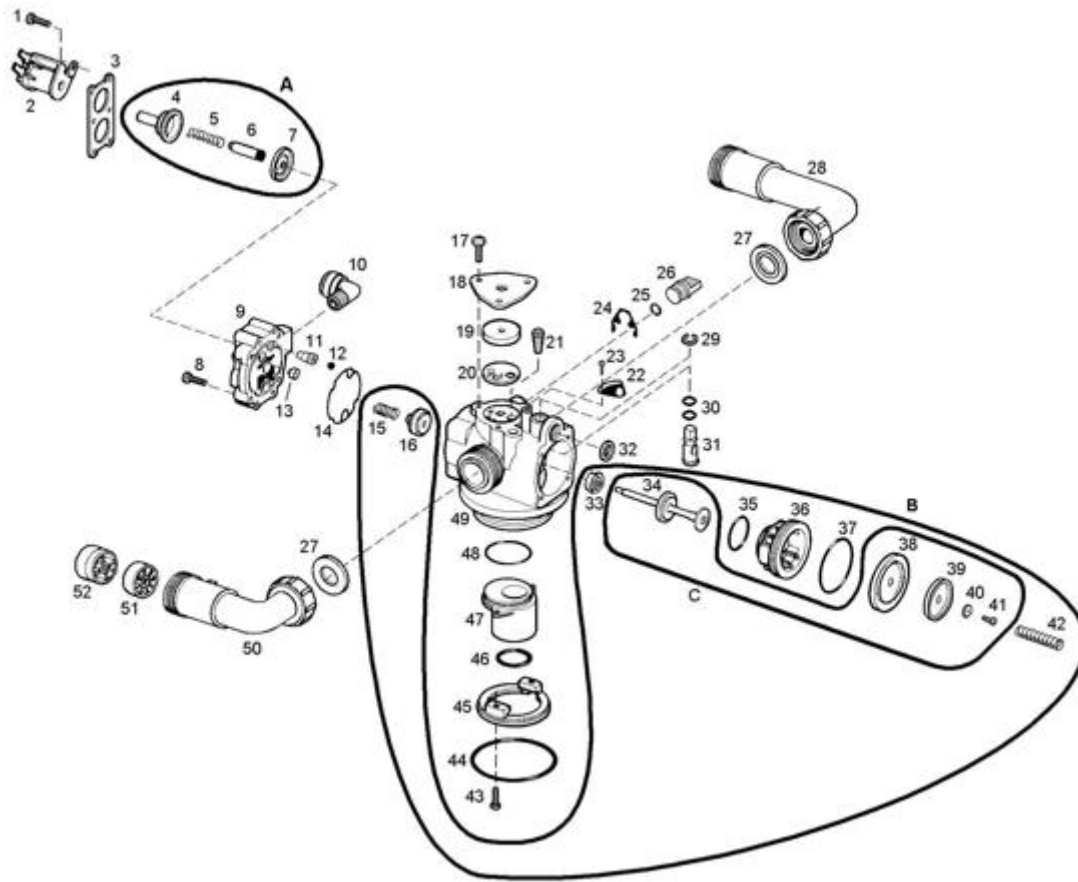
13	BW3.5/047	286602	Brine well, 47 cm
14	38536		Screw rivet, brine well
15	H1016/4		Brine well cap, bottom
16	72263	286702	Twist lock clamp, power cord
17	28/298/11	286702	Transformer 230/24V - 50 Hz, 24VA, EuroT plug
18	70971	286701	Power cord
19	72760		Flow meter cable
20	72761		Drain solenoid cable
21	72686		Refill solenoid cable (white)
22	72685		Backwash solenoid cable (black)
23	38531		PCB housing assy
24	38624		PCB frame
25	72788		Printed Circuit Board
	72787		Printed Circuit Board
26	15/102		Screw, PCB
27	38458		Stopper, back plate
28	38632		Back plate
29	19098		Retainer, back plate
30	38631		Cable tie
31	38628	286600	Mini cabinet body
32	38532		Overflow assembly
33	38522		Drain hose
34	38521		Clamp, drain hose (2x)

**MAXI**



Nr	Ref	SKU	Omschrijving
1	PT/0932/CP	286605	Pressure tank 9x32
2	E8000		Softening resin
3	38528	286601	Riser tube assembly with deflector
4	287/166	286610	Top distributor
5	568/303/6	286609	Connection kit 3/8" male
6	541NC89/L80/VAM	286606	klep VAM
7	38529		Cover assembly
8	H1015/2		Brine line polytube
9	38519		Brine line filter
10	H1016/2		Brine well cap, top
11	DM/A6EU6	286724	Quick-fit elbow 3/8"
12	38530		Brine valve assembly 464
13	BW3.5/088	286603	Brine well
14	38536		Screw rivet, brine well
15	H1016/4		Brine well cap, bottom
16	28/298/11	286607	Transformer 230/24V - 50 Hz, 24VA, EuroT plug
17	72263	286702	Twist lock clamp, power cord
18	70971	286701	Power cord
19	72760		Flow meter cable
20	72761		Drain solenoid cable
21	72686		Refill solenoid cable (white)
22	72685		Backwash solenoid cable (black)
23	38531		PCB housing assy
24	38624		PCB frame
25	72788		Printed Circuit Board
	72787		Printed Circuit Board
26	15/102		Screw, PCB
27	38458		Stopper, back plate
28	38632		Back plate
29	19098		Retainer, back plate
30	38631		Cable tie
31	38690		Maxi cabinet body
32	38532		Overflow assembly
33	38522		Drain hose
34	38521		Clamp, drain hose (2x)

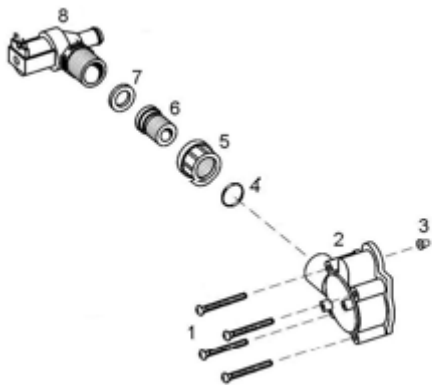
## Klep/Vanne



NR	REF	SKU	Description
1	15/90	286714	Screw, solenoid retainer (4x)
2	413/134/24	286715	Solenoid
3	541/229	286726	Retainer, solenoid
8	15/222	286721	Screw, back cap (4x)
9	541/286/2/E	286722	Back cap
10	DM/A6ME4	286723	Brine elbow
11	74022	286769	Brine draw restrictor 1,0 mm (black)
12	541/275	286725	Check ball
13	568/385/2/A	286726	Refill flow control 0,25 gpm
14	541/206	286727	Gasket, back cap
15	541/239	286728	Spring, check disc
16	541/246	286729	Check disc
17	15/89	286730	Screw, cover plate (3x)
18	541/221	286731	Cover plate, injector

19	428/5	286732	Injector disc #5
20	541/325	286733	Gasket, injector
21	72604	286570	Filter, injector
22	72609	286735	Locking plate, drain flow adjuster
23	15/76	286736	Screw, locking plate
24	541/254	286737	Spring clip
25	186/118	286738	O-ring, brine plug
26	541/273	286739	Brine plug
27	72467	286740	Union gasket (2x)
28	72542	286741	Elbow, inlet
29	19/19	286742	Clip, drain flow adjuster
30	186/134	286743	O-ring, drain flow adjuster (2x)
31	541/238	286744	Drain flow adjuster
32	529/244	286745	O-ring, drain port
43	15/90	286714	Screw, adapter ring (2x)
44	185/67/4	286757	O-ring, tank
45	541/232	286758	Adapter ring
46	185/214/1	286759	O-ring, riser tube
47	541/218	286760	Riser insert 1,050"
48	185/029/1	286750	O-ring, riser insert
49	541/257/1	286762	Valve body (incl. 467/216)
50	72543	286724	Elbow, outlet
51	72544	286764	Impeller
52	72545	286765	Hub, Impeller
A	RK/413	286766	Repair kit solenoid diaphragm
B	RK/541/244	286767	Repair kit body stem and seat
C	72611	286768	Repair kit body stem

## Spares Afvoer/ égouts



NR	REF	SKU	Description
1	15/87	286711	Screw, valve head
2	72216	286710	Valve head
3	541/300/G		Drain flow control 2,0 gpm
	541/300/J		Drain flow control 2,6 gpm
4	185/115/1	286709	O-ring, drain line adaptor
5	74018	286708	Nut, drain solenoid
6	74016	286707	Drain line adaptor
7	74019	286706	Gasket, drain solenoid
8	74023	286705	Drain solenoid