

GLIDE II 700mm Glass Basin

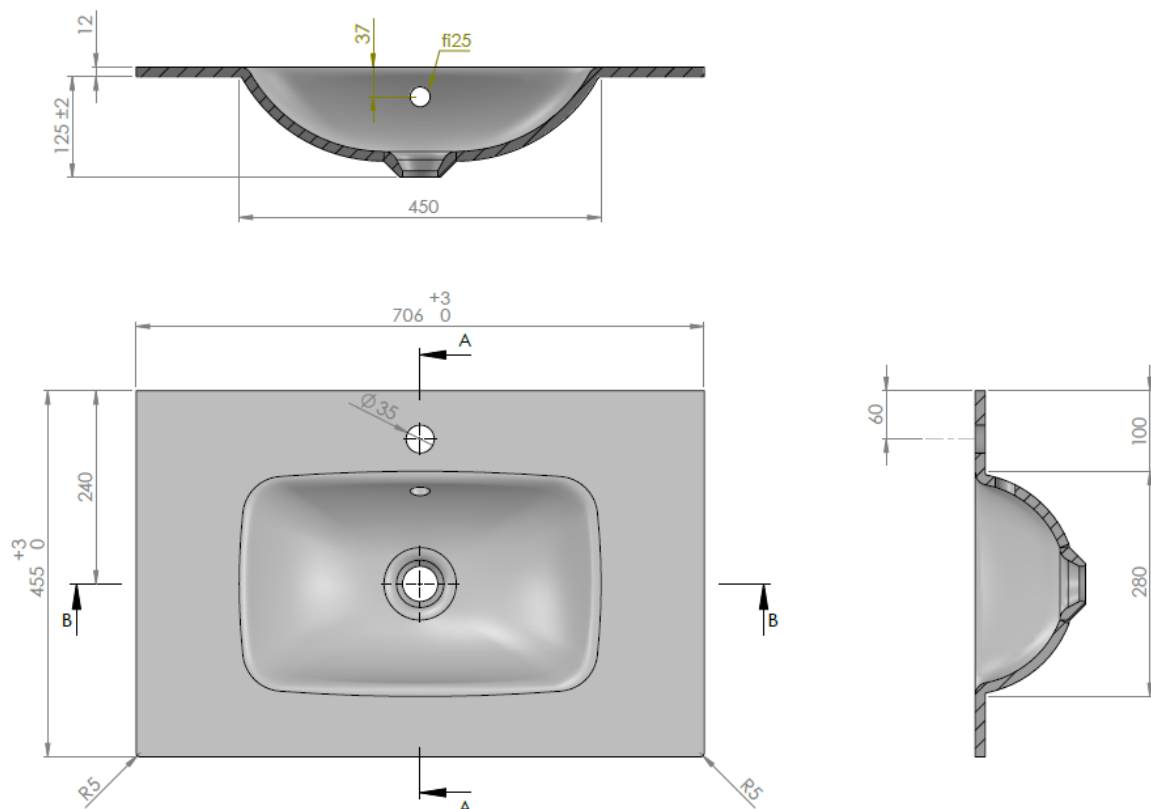


TECHNICAL DATA

CODE No	GL0710SMB - No tap hole GL0711SMB - Single tap hole
Compatible with:	GL7000Dxx+
Recommended use	Domestic, hotel, residential
Material	Low Iron Soda Lime Silicate Glass EN572-9:2005
Standards	EN 14688 – CL 0 EN31
Required Fitting:	Universal Basin Waste BSW0260C-PRO0260X
Colour	Matt finish Midnight Black
Specification	1 centre tap hole or no tap hole Over flow, including matt black overflow cover
Fixing	Furniture carcass only
Weight	10kg
Warranty	10 years

SPECIFICATION

Furniture basin
EN 31/EN 14688 – CL 0
Dimensions w 706 x d 455 x h 12mm
Tested in accordance with EN 14688:2009, 4.3
Maximum water Temperature 70°C



Sizes detailed could have a variation of about +/-5 % due to the changes to material characteristics during the firing processes. Exact measurements for individual installations can only be taken from the finished basin.