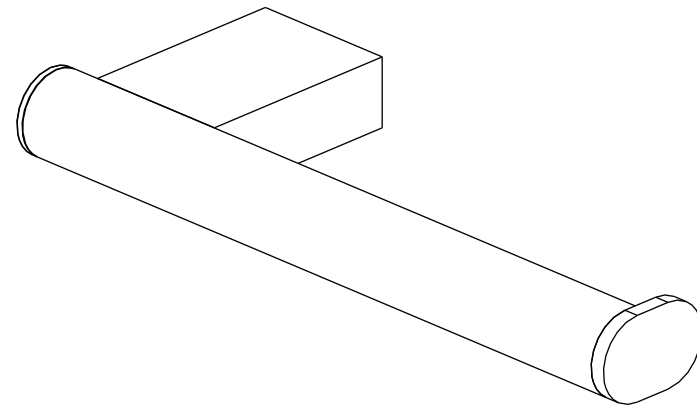


Check that there are no concealed water pipes or electrical cables before drilling into the wall.



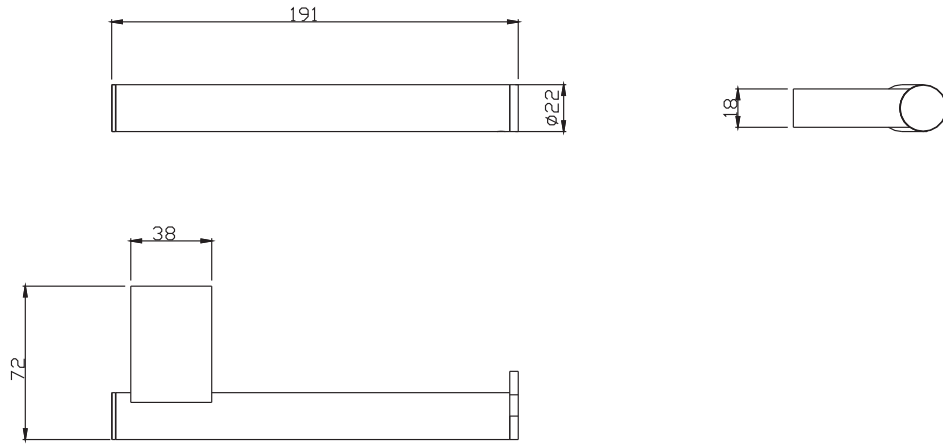
For any further information please contact
Crosswater on: **0845 873 8840**

Or visit our web-site at www.crosswater.co.uk

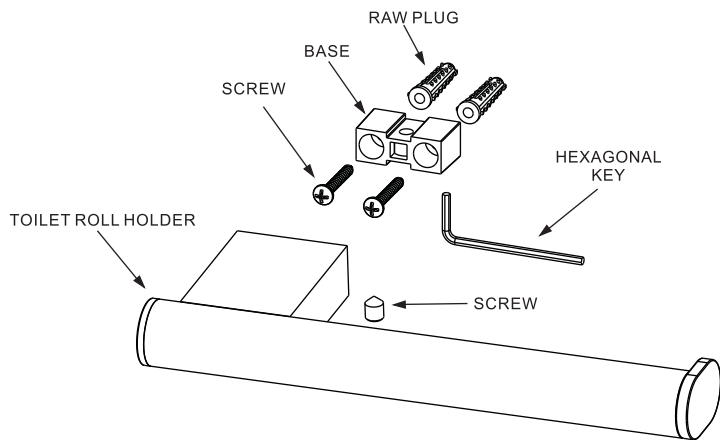
The manufacturer reserves the right to make technical
modifications without prior notice.

INSTALLATION INSTRUCTIONS

DIMENSIONS



INSTALLATION



MAINTENANCE

