

## Axor Starck

Thermostatic mixer for concealed installation with shut-off and diverter valve

Surfaces: **chrome** Art. no. : **10720000**



### Description

#### product features

- designed to run 2 outlets
- thermostat cartridge, Shut-off/diverter valve
- safety stop at 38°C
- maximum temperature can be adjusted on installation
- flow rate: 26 l/min
- operating pressure: min. 1 bar / max. 10 bar
- includes: handle, metal escutcheon, sleeve, mixing unit, thermostatic valve, shut-off/diverter valve
- non-return valve
- material: metal
- wall-mounted
- noise class: I
- flow rate class: A, A
- WRAS 1311025

#### Mandatory Accessories

- iBox universal basic set 1/2 and 3/4 (#01800XXX)
- Extension 25mm for iBox universal (#13595XXX)

#### Optional Accessories

- Reduction set 170mm diameter (#13596XXX)
- Fastening rail for iBox universal (#96615XXX)

### Article Details

Price excl. VAT

£ 610.00

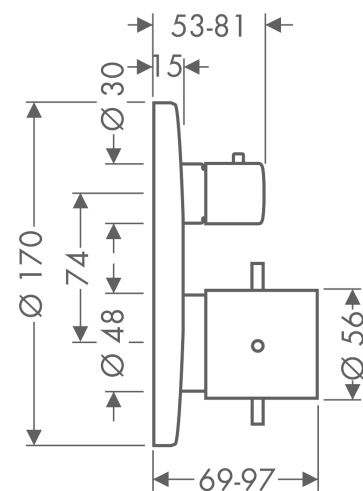
### Certificates



### Product image



### Scale drawing



## Axor Starck

Thermostatic mixer for concealed installation with shut-off and diverter valve

Surfaces: **chrome** Art. no. : **10720000**



### Flowchart

