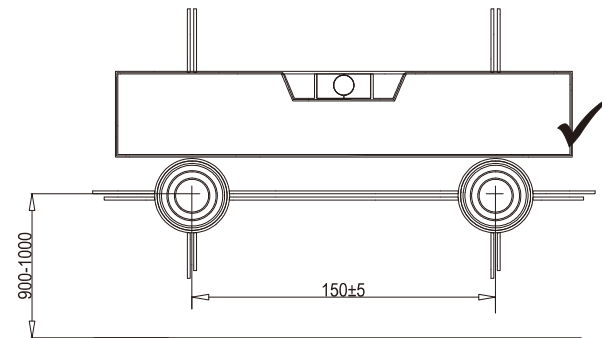
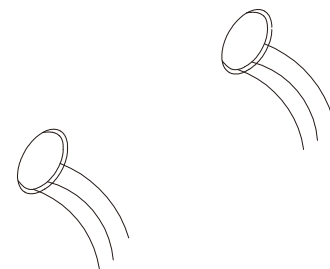


### Installation Method

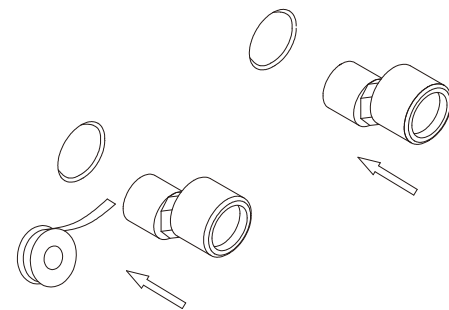
1. Identify the proper installation position of hot and cold water inlets.



2. Flush out all the impurities like muds and sands.



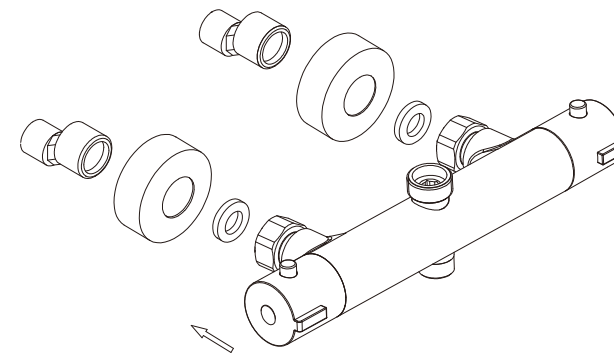
3. Wrap the S-connectors with teflon tape and then screw them into the pipes.



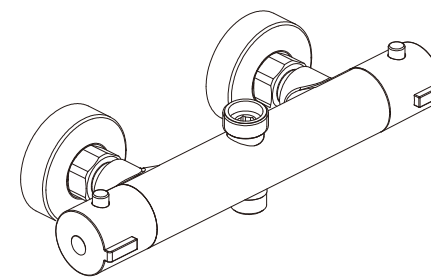
IGMX0303(2019/10)

### Installation Method

4. Connect the wall flange and mixer body to the S-connectors.



5. Now we finished the installation of mixer body.

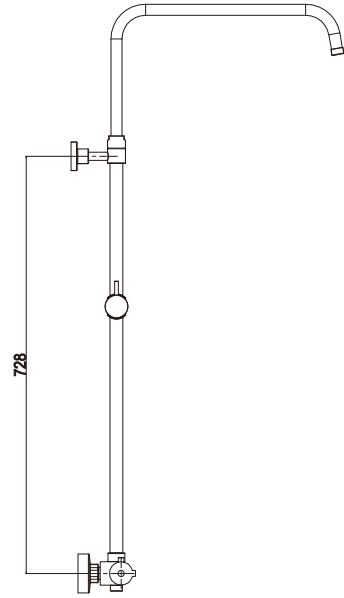


IGMX0303(2019/10)

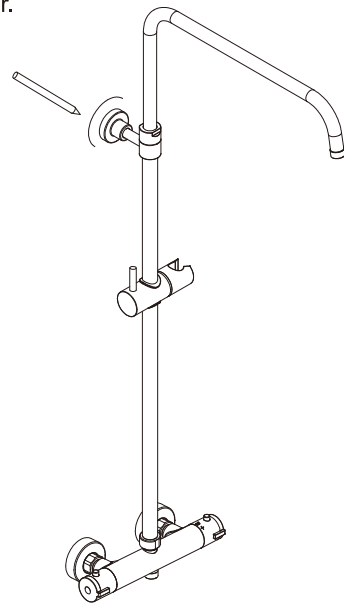
IGMX0303(2019/10)

## Installation Method

6. Connect the shower bar onto the mixer body.

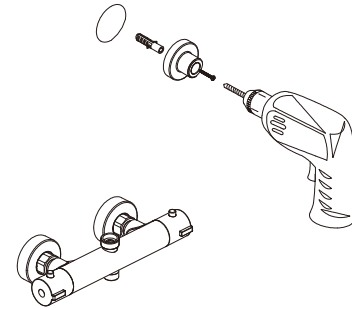


7. Mark the position for wall mounting plate of shower bar, then take off the shower bar.

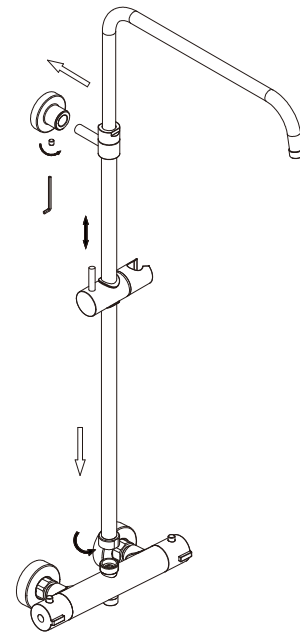


## Installation Method

8. Drill a hole where you just marked and fill it with a plastic peg, then fix the wall mounting plate with a screw.



9. Again, connect the shower bar onto the mixer body.



## Installation Method

10. Lastly connect the shower head, shower hose and hand shower. Now the installation is finished.

