



## Van Marcke Logistics nv

Weggevoerdenlaan 5 - 8500 Kortrijk

Tel. +32 (0)56 23 75 11

BTW BE 0443.343.943 - RPR Kortrijk - BIC GEBABEBB - IBAN BE15 2850 2088 4230

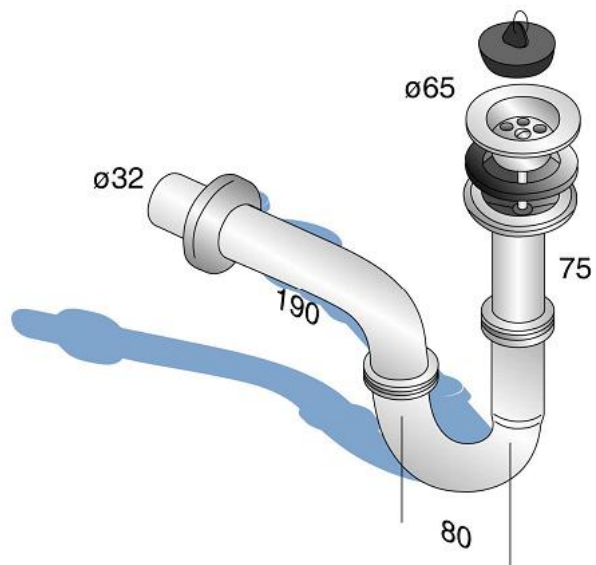
### DECLARATION OF PERFORMANCE

No. VM00029-ENG-20150416

1. Unique identification code of the product-type	134068 - Siphon chrome for built-in washb. inox
2. Product type	Siphon "P" trap, complete with universal waste, outlet 190mm
3. Intended use(s)	Personal hygiene
4. Manufacturer	Van Marcke Logistics, Weggevoerdenlaan 5, 8500 Kortrijk
5. Authorised representative	NA
6. System/s of AVCP	
7. <b>a)</b> Harmonised standard Notified body(ies) <b>b)</b> European Assessment Document European Technical Assessment Technical Assessment Body Notified body(ies)	UNI EN 274

8. Declared performance(s): Water Capacity: 30 litres/minute

9. Appropriate Technical Documentation and/or Specific Technical Documentation:



The performance of the product identified above is in conformity with the set of declared performance/s. This declaration of performance is issued, in accordance with the Regulation (EU) No 305/2011, under the sole responsibility of the manufacturer identified above.

Signed for and on behalf of the manufacturer by:

Name: Francisco Hernandez

At (place): Kortrijk

On (date of issue): 16/04/2015

Signature:

A handwritten signature in blue ink, appearing to be 'F. Hernandez', written over a horizontal line.